



US00D908779S

(12) **United States Design Patent**
Lenihan

(10) **Patent No.:** **US D908,779 S**
(45) **Date of Patent:** **** Jan. 26, 2021**

(54) **CAMERA MOUNT**

(71) Applicant: **3 Legged Thing Limited**, Bedford
(GB)

(72) Inventor: **Danny Lenihan**, Bedfordshire (GB)

(73) Assignee: **3 Legged Thing Limited**, Bedford
(GB)

(**) Term: **15 Years**

(21) Appl. No.: **29/696,781**

(22) Filed: **Jul. 1, 2019**

(30) **Foreign Application Priority Data**

Jan. 2, 2018 (GB) 6051059
Jan. 2, 2019 (EM) 005946845-0001

(51) **LOC (13) Cl.** **16-05**

(52) **U.S. Cl.**
USPC **D16/242**

(58) **Field of Classification Search**
USPC D16/219, 237-250; D14/229, 238, 251,
D14/253, 447, 451, 457; D8/354, 355,
D8/363, 373, 382-383, 394-396
CPC A45F 2200/0508-0533; A45F 5/00; A45F
5/10; F16M 11/06-10; F16M 11/14;
G02B 7/00-002; G03B 17/56; G03B
17/561-566; H04N 5/2253-2254
See application file for complete search history.

(56) **References Cited**

U.S. PATENT DOCUMENTS

D246,372 S * 11/1977 Yoshino D16/243
4,081,814 A * 3/1978 Bulland F16M 11/28
248/187.1
D258,067 S * 1/1981 Bogart, Jr. D16/243
4,363,459 A * 12/1982 Holzer E06B 9/323
248/257
D283,624 S * 4/1986 Maitani D16/219

D421,039 S * 2/2000 Delacoux D14/239
D438,780 S * 3/2001 Horsten D8/363
D551,538 S * 9/2007 Pearce D8/354
D555,459 S * 11/2007 Goodwin, III D8/363
7,871,205 B2 * 1/2011 Inoue G03B 17/02
396/422

(Continued)

OTHER PUBLICATIONS

3 Legged Thing Zelda Review—Camera Jabber. [online] Published
on Apr. 13, 2019. Retrieved Jul. 30, 2020 from URL: [https://
camerajabber.com/3-legged-thing-zelda-review/](https://camerajabber.com/3-legged-thing-zelda-review/).*

(Continued)

Primary Examiner — Vy N Koenig

(74) *Attorney, Agent, or Firm* — Andrus Intellectual
Property Law, LLP

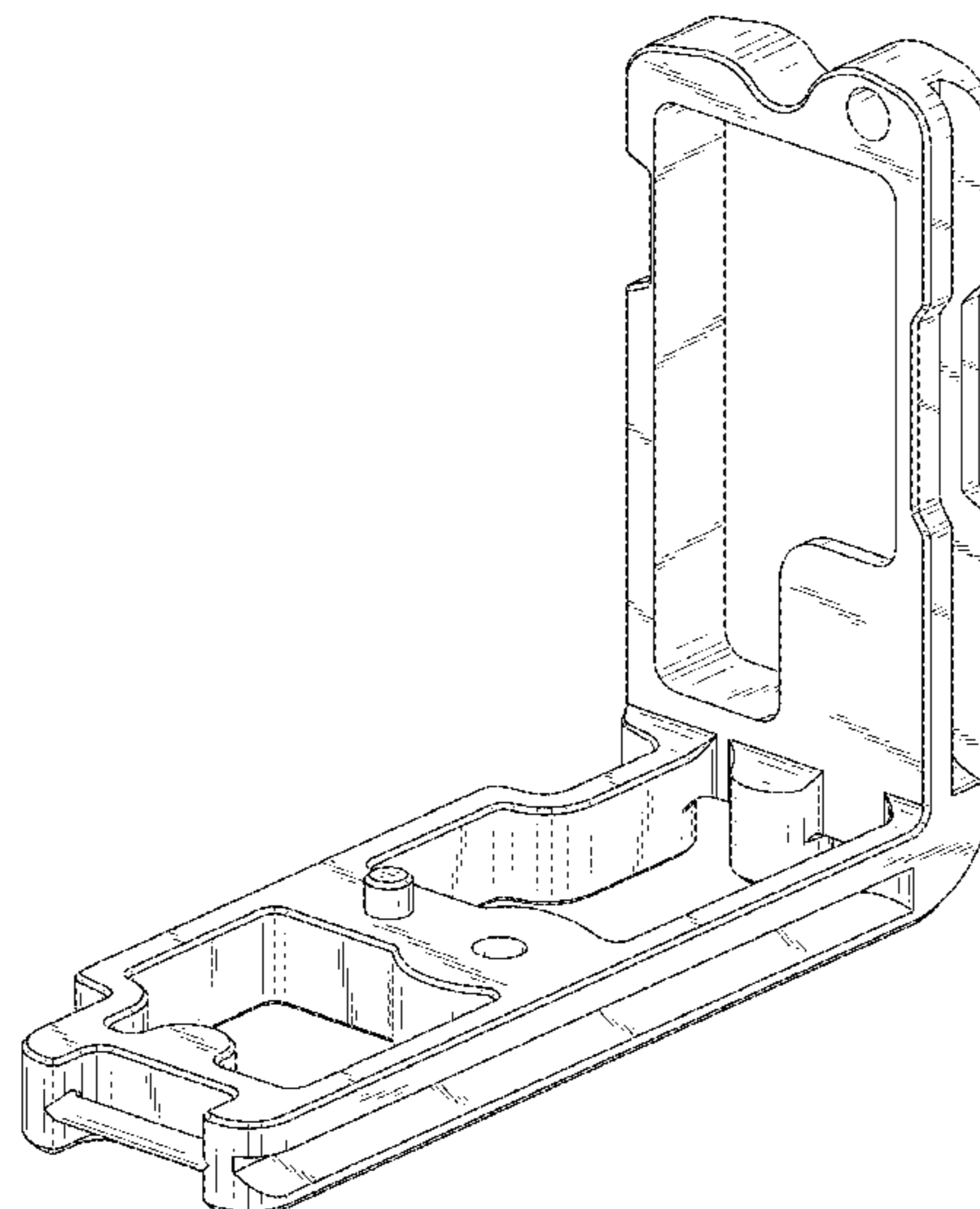
(57) **CLAIM**

The ornamental design for a camera mount, as shown and
described.

DESCRIPTION

FIG. 1 is a rear view of the camera mount of the present
application;
FIG. 2 is a front view of the camera mount of the present
application;
FIG. 3 is a right side view of the camera mount of the present
application;
FIG. 4 is a left side view of the camera mount of the present
application;
FIG. 5 is a top view of the camera mount of the present
application;
FIG. 6 is a bottom view of the camera mount of the present
application; and,
FIG. 7 is a perspective view of the camera mount of the
present application.
The broken lines in the drawings depict portions of the
camera mount that form no part of the claimed design.

1 Claim, 7 Drawing Sheets



(56)

References Cited

U.S. PATENT DOCUMENTS

D677,309 S * 3/2013 Asano D16/243
D710,426 S * 8/2014 Sato D16/243
9,066,421 B1 * 6/2015 Martin H05K 5/0217
D808,576 S * 1/2018 Clarke D26/138
D889,528 S * 7/2020 Kowalski D16/242
2008/0240705 A1 * 10/2008 Nazarian F16M 13/02
396/420
2012/0106944 A1 * 5/2012 Johnson H01G 9/0425
396/428

OTHER PUBLICATIONS

Midwest Photo SmallRig L Bracket for Fujifilm XT-4 Camera.
[online] Retrieved Jul. 30, 2020 from URL: [https://mpex.com/
smallrig-l-bracket-for-fujifilm-xt-4-camera.html](https://mpex.com/smallrig-l-bracket-for-fujifilm-xt-4-camera.html).*

* cited by examiner

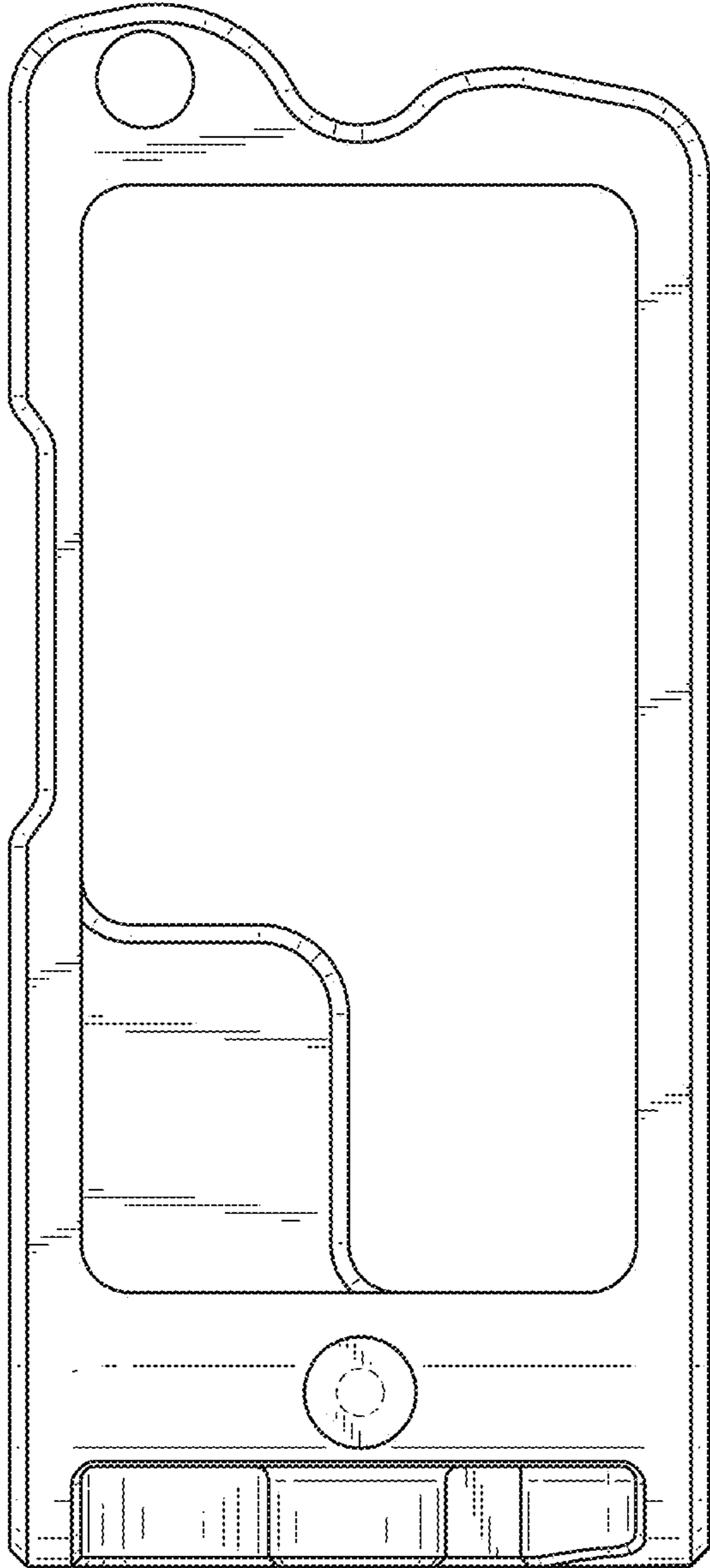


FIG. 1

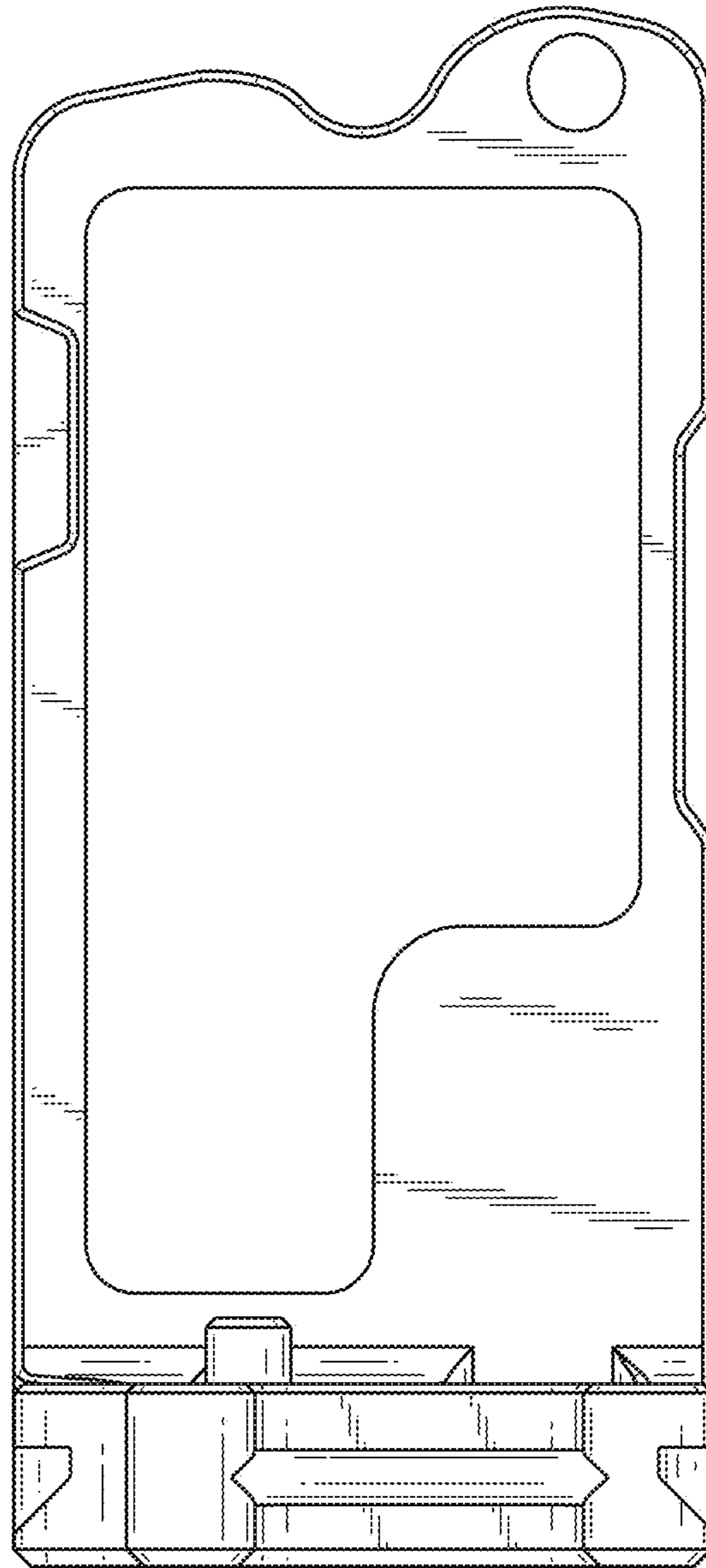


FIG. 2

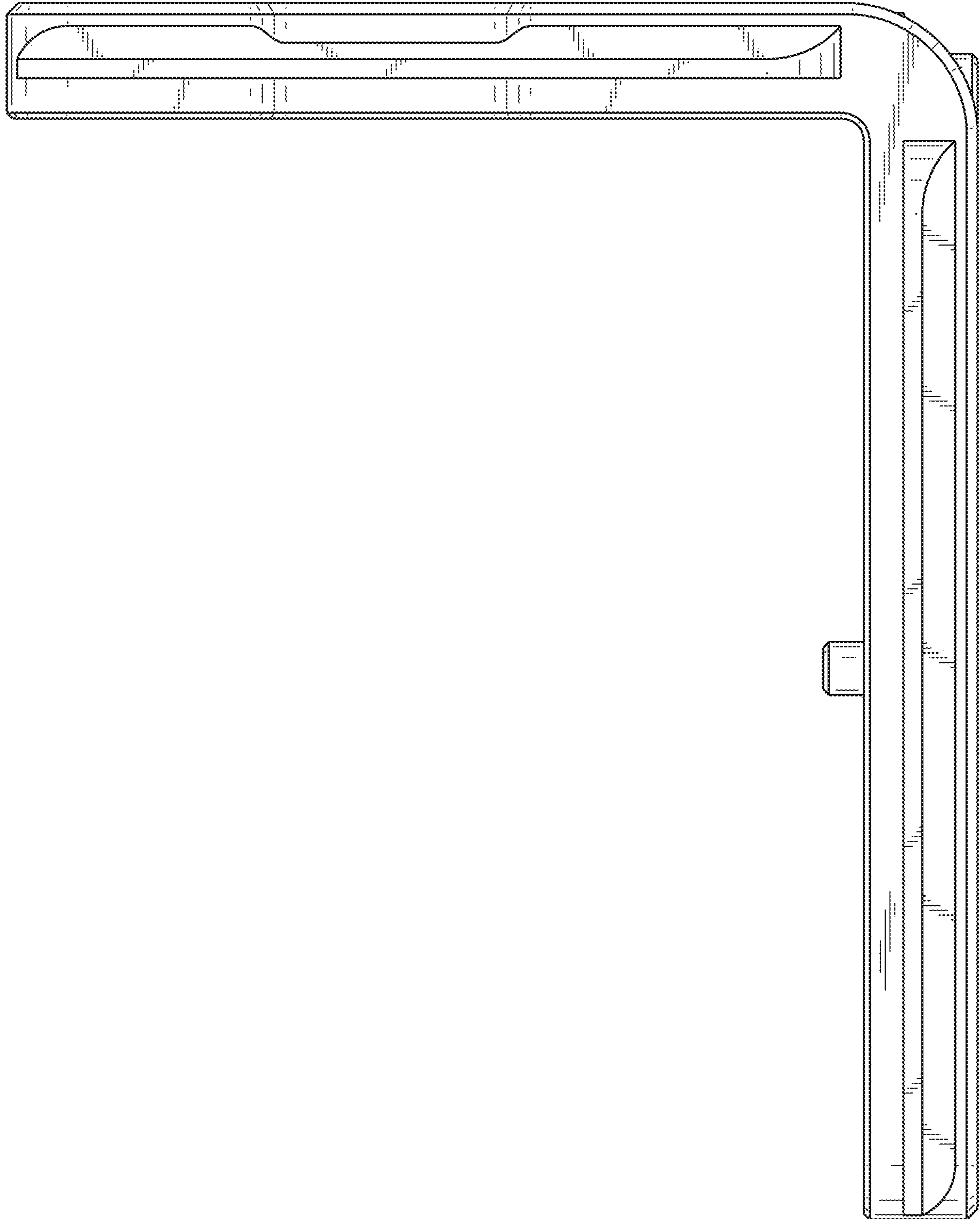


FIG. 3

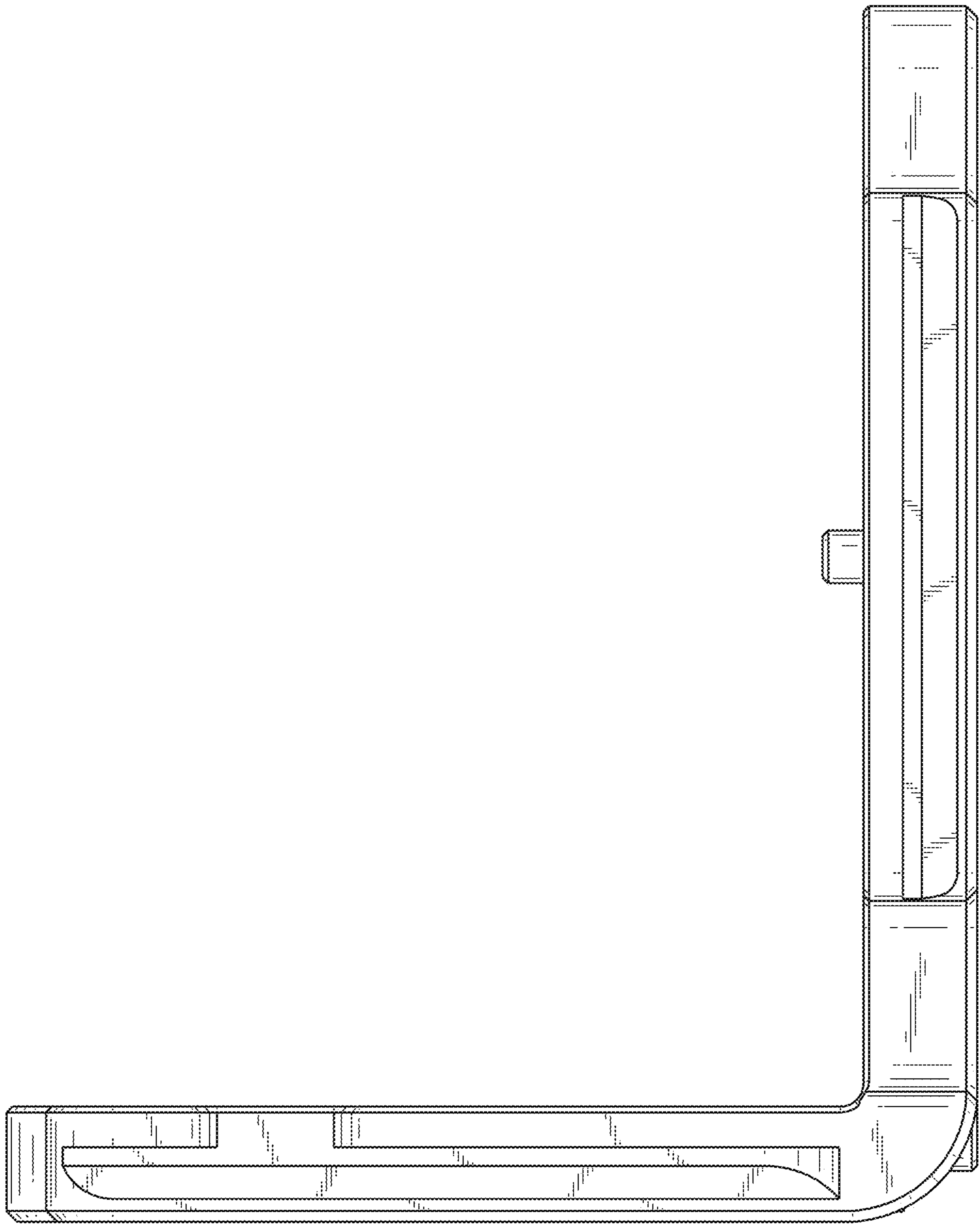


FIG. 4

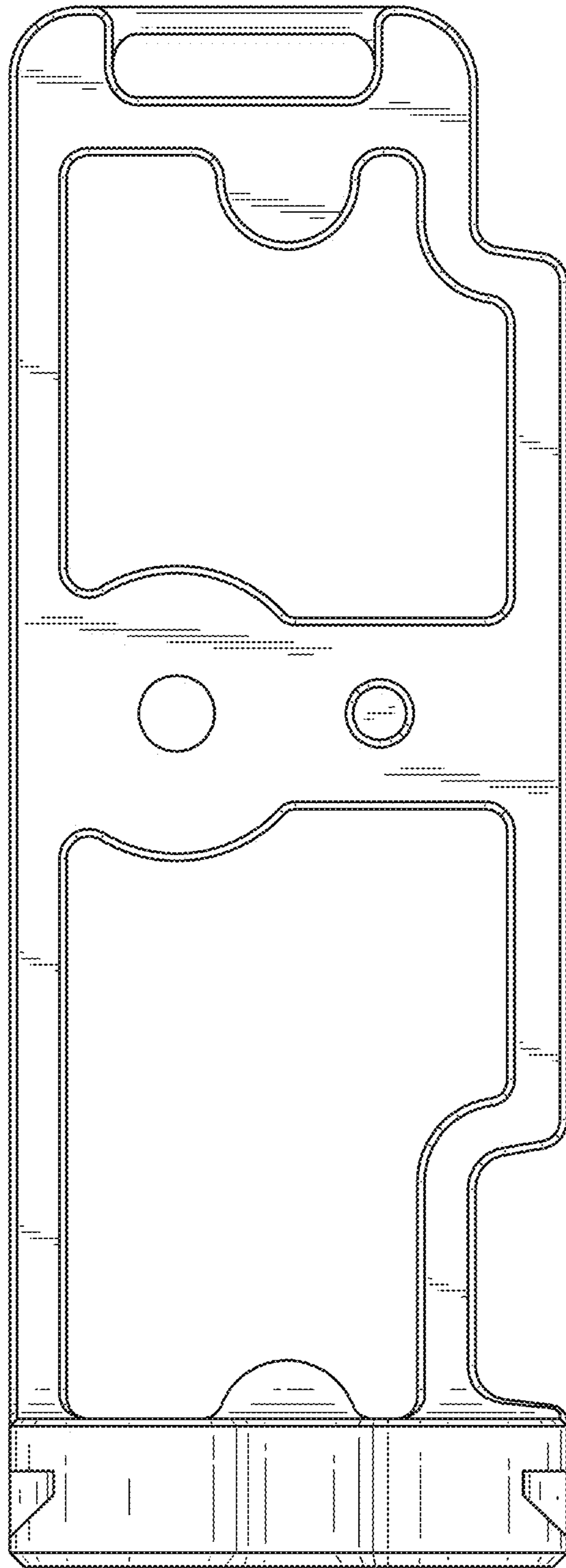


FIG. 5

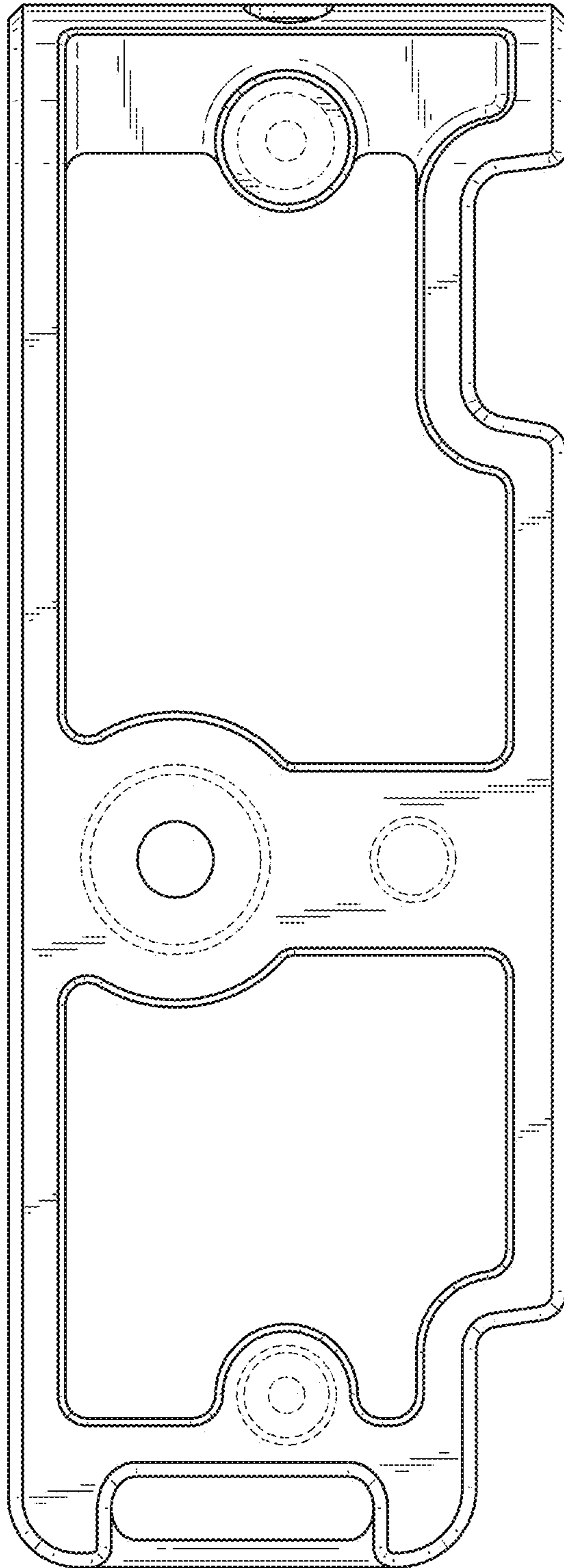


FIG. 6

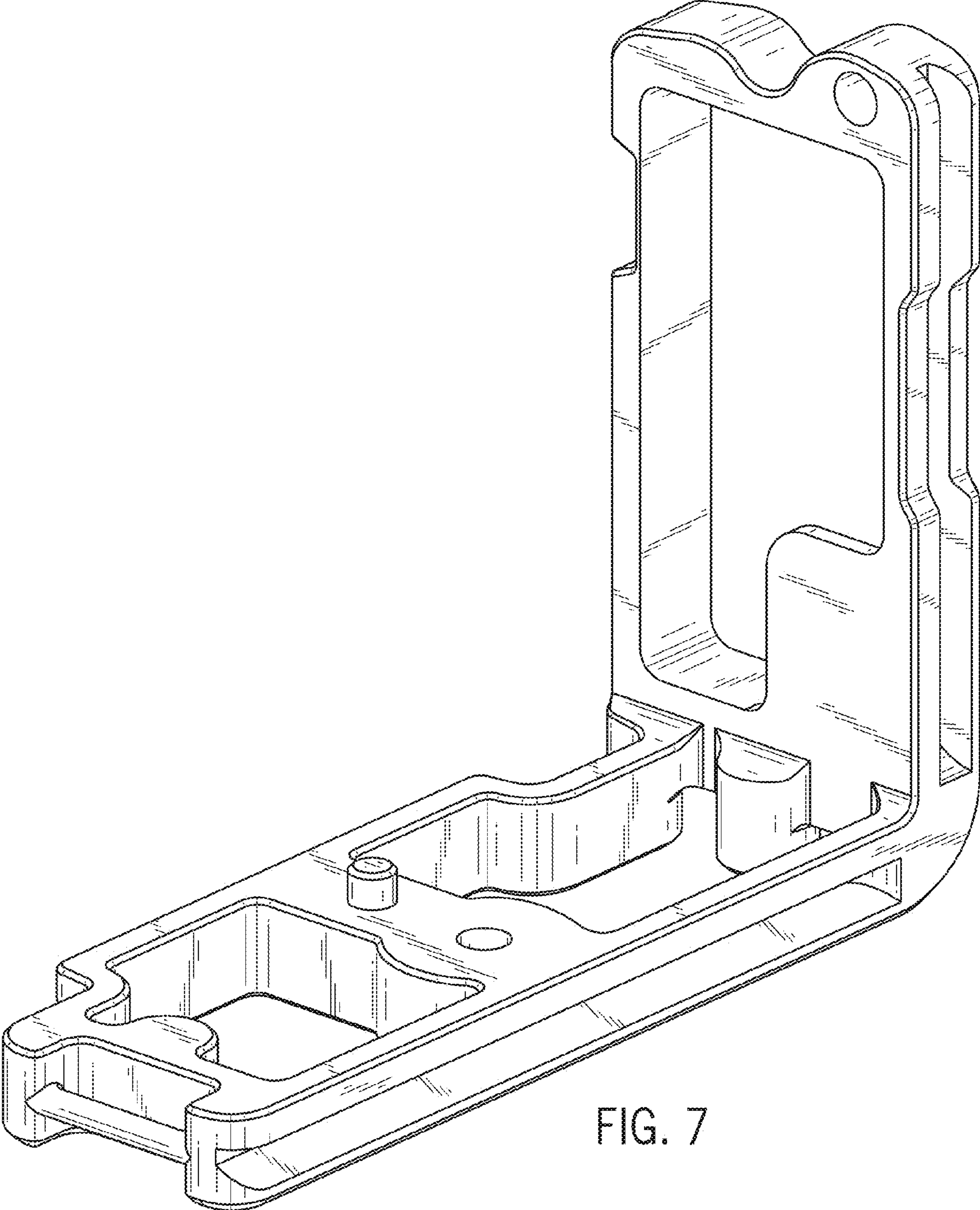


FIG. 7