



US00D908778S

(12) **United States Design Patent** (10) **Patent No.:** **US D908,778 S**
Xu (45) **Date of Patent:** **** Jan. 26, 2021**

(54) **HOLDER FOR CAMERA**
(71) Applicant: **Shenzhen Leqi Network Technology Co., Ltd, Shenzhen (CN)**
(72) Inventor: **Jiawei Xu, Shenzhen (CN)**
(73) Assignee: **Shenzhen Leqi Network Technology Co., Ltd, Shenzhen (CN)**
(**) Term: **15 Years**
(21) Appl. No.: **29/684,332**
(22) Filed: **Mar. 20, 2019**
(30) **Foreign Application Priority Data**
Sep. 20, 2018 (CN) 2018 3 0531749
(51) **LOC (13) Cl.** **16-05**
(52) **U.S. Cl.**
USPC **D16/242**
(58) **Field of Classification Search**
USPC D16/208-209, 219, 237-250; D8/354, D8/355, 363, 373, 382-383, 394-396; D14/224, 229, 238, 251, 253, 447, 451, D14/457
CPC A45F 5/00; A45F 5/10; F16M 11/06-10; F16M 11/14; G02B 7/00-002; G03B 17/56; G03B 17/561-566
See application file for complete search history.

D768,752 S * 10/2016 Silver D16/237
D785,696 S * 5/2017 Parfitt D16/242
D861,761 S * 10/2019 Bergman D16/200
D880,567 S * 4/2020 Zhang D16/237
2012/0060354 A1* 3/2012 Koczera B25B 1/02
29/559
2016/0033075 A1* 2/2016 Smith G02B 7/00
248/558

OTHER PUBLICATIONS

UURig C-M6MarkII Camera Cage for Canon. [online] Retrieved Apr. 6, 2020 from URL: <https://www.amazon.com/UURig-C-M6MarkII-Mirrorless-Microphone-Extension/dp/B081CLJQ38?th=1>.*

* cited by examiner

Primary Examiner — Vy N Koenig
(74) *Attorney, Agent, or Firm* — Harness, Dickey & Pierce, P.L.C.

(57) **CLAIM**

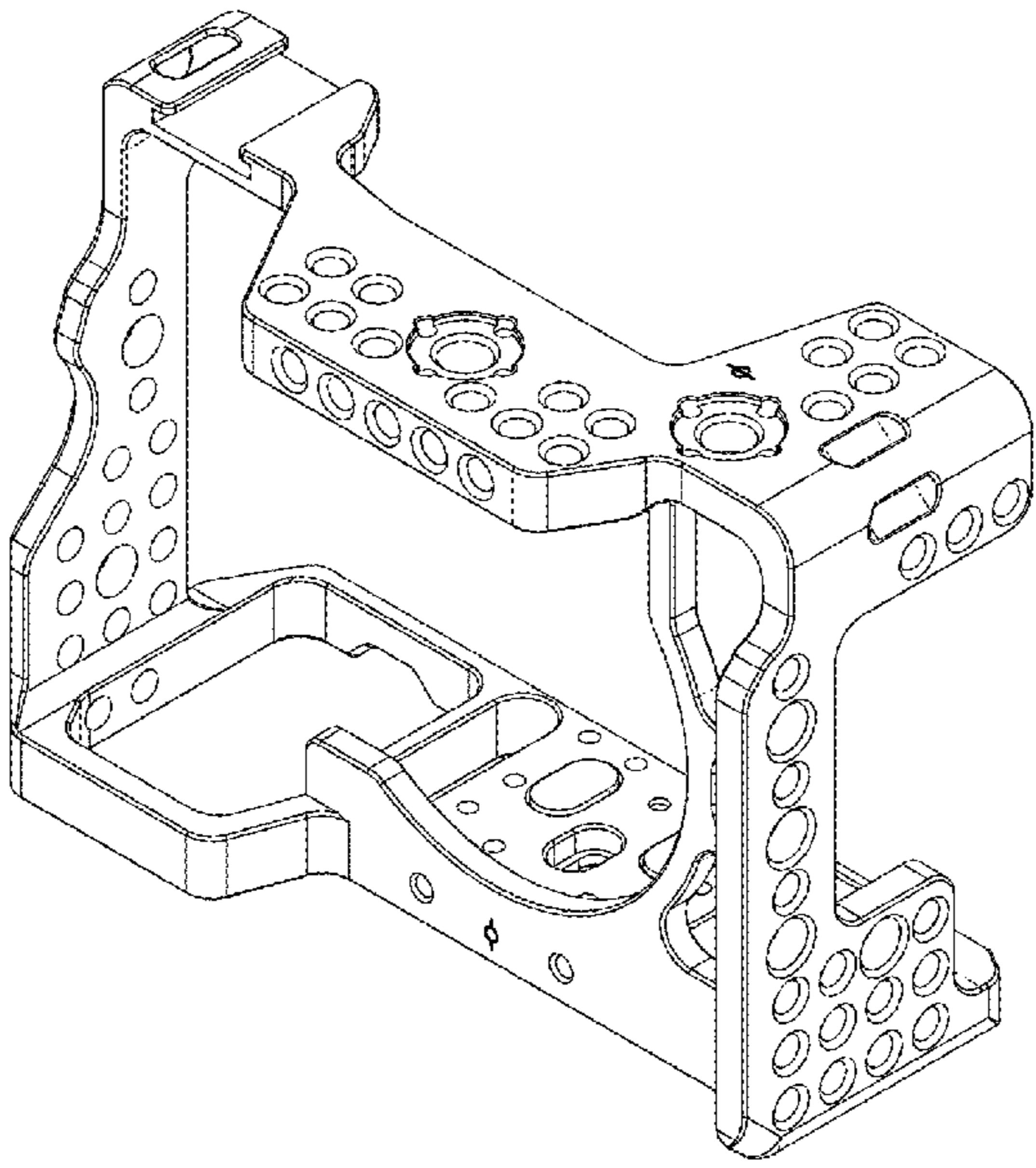
The ornamental design for a holder for camera, as shown and described.

DESCRIPTION

FIG. 1 is a front view of a holder for camera according to the present design;
FIG. 2 is a rear view of the holder for camera of FIG. 1;
FIG. 3 is a left view of the holder for camera of FIG. 1;
FIG. 4 is a right view of the holder for camera of FIG. 1;
FIG. 5 is a top view of the holder for camera of FIG. 1;
FIG. 6 is a bottom view of the holder for camera of FIG. 1;
and,
FIG. 7 is a perspective view of the holder for camera of FIG. 1.
The broken lines shown represent portions of the holder for camera that form no part of the claimed design.

1 Claim, 4 Drawing Sheets

(56) **References Cited**
U.S. PATENT DOCUMENTS
D476,025 S * 6/2003 Ford D16/242
D649,576 S * 11/2011 Jannard D16/242
D763,941 S * 8/2016 Smith D16/200
D765,064 S * 8/2016 Wengreen D14/238.1
9,421,655 B2* 8/2016 Hacker B23Q 3/103
9,454,066 B2* 9/2016 O'Neill G03B 17/565



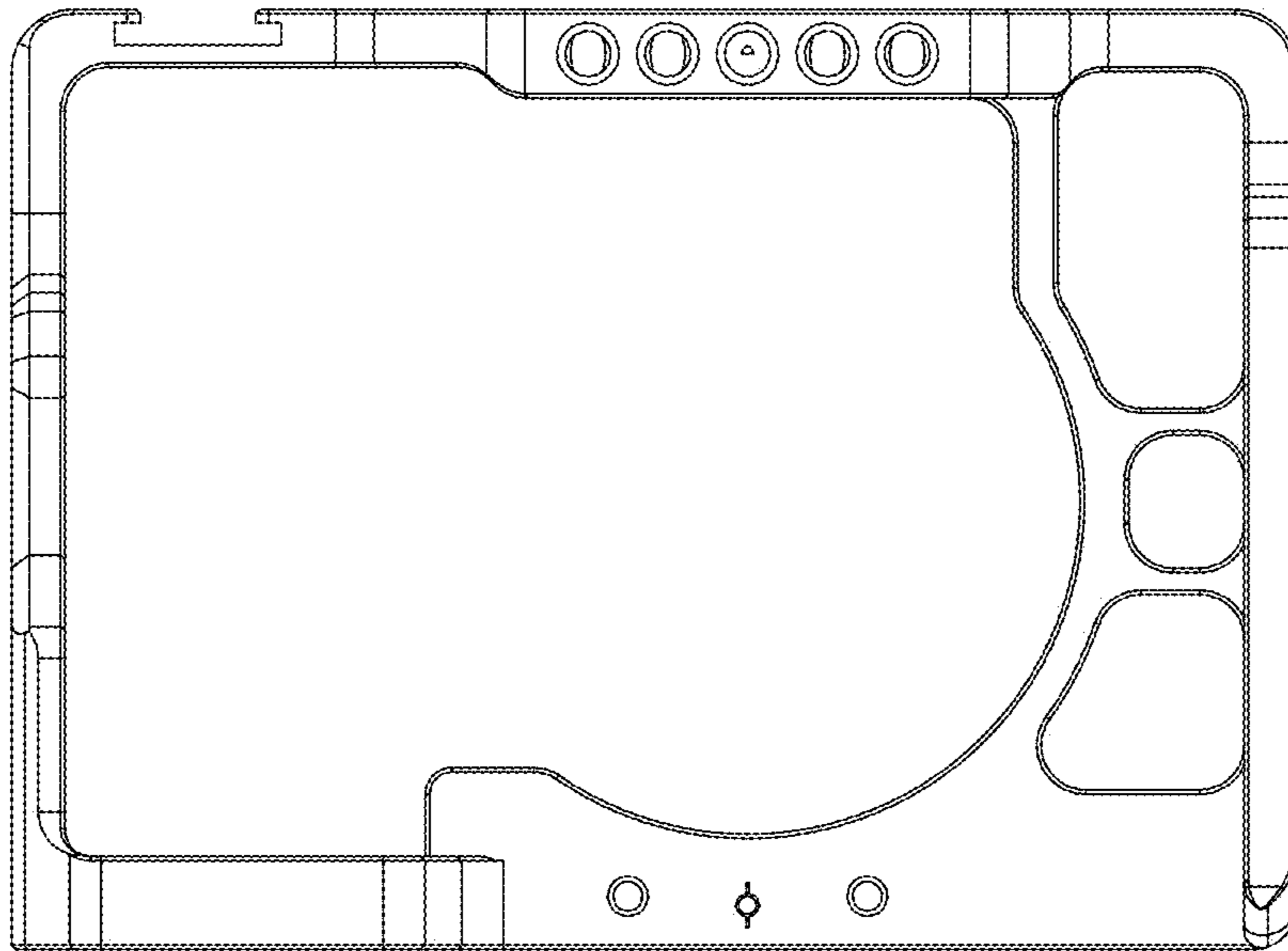


FIG. 1

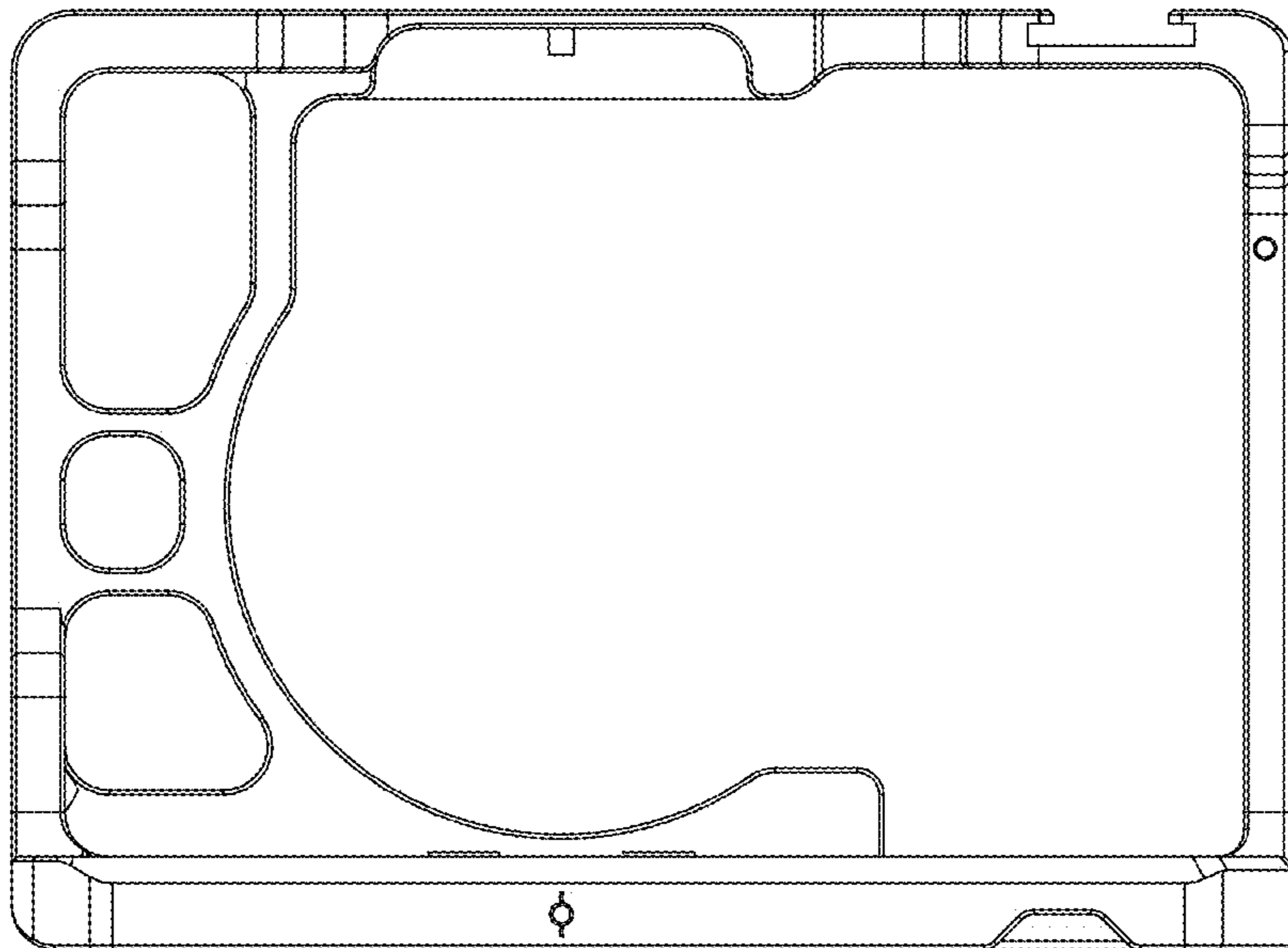


FIG. 2

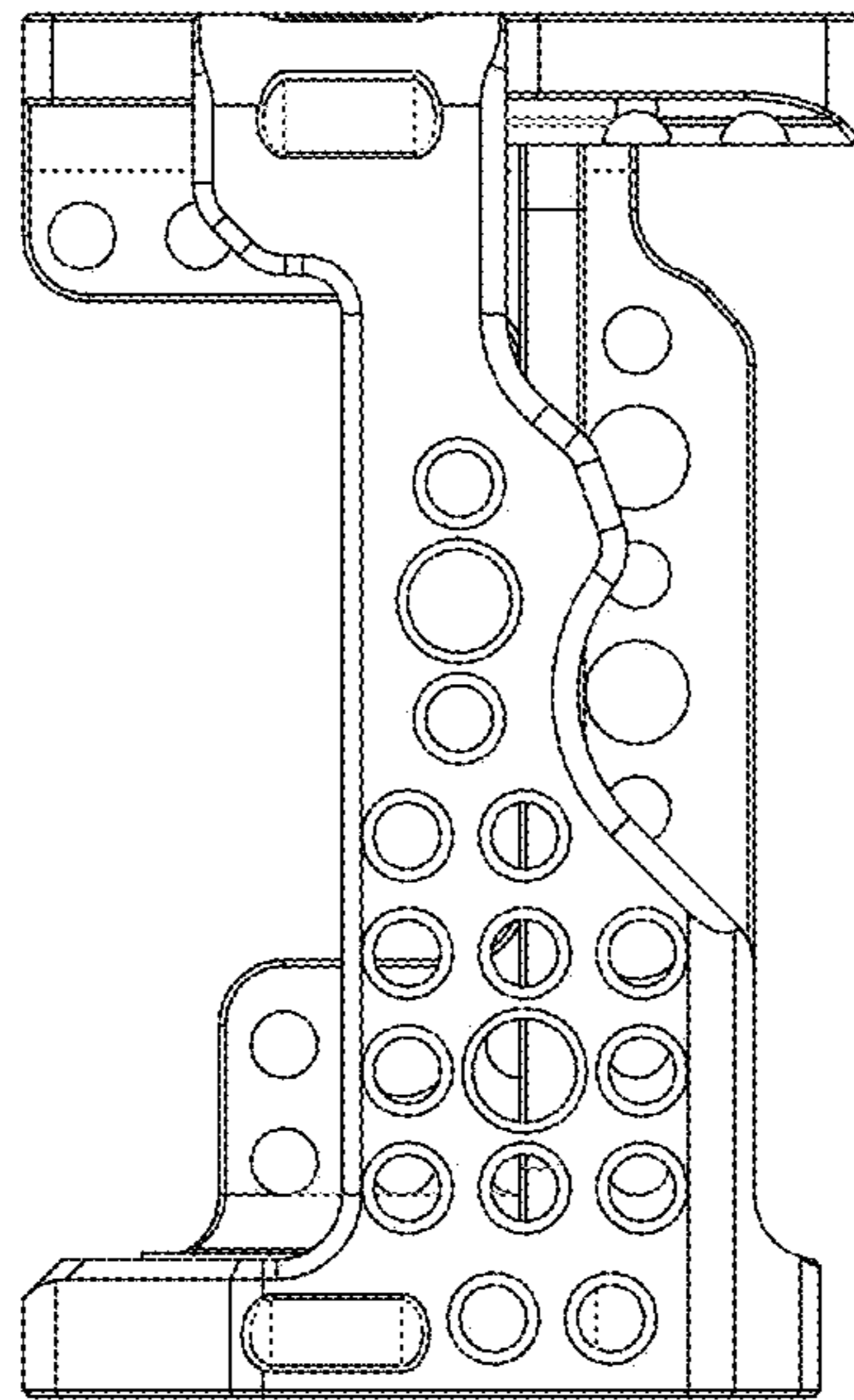


FIG. 3

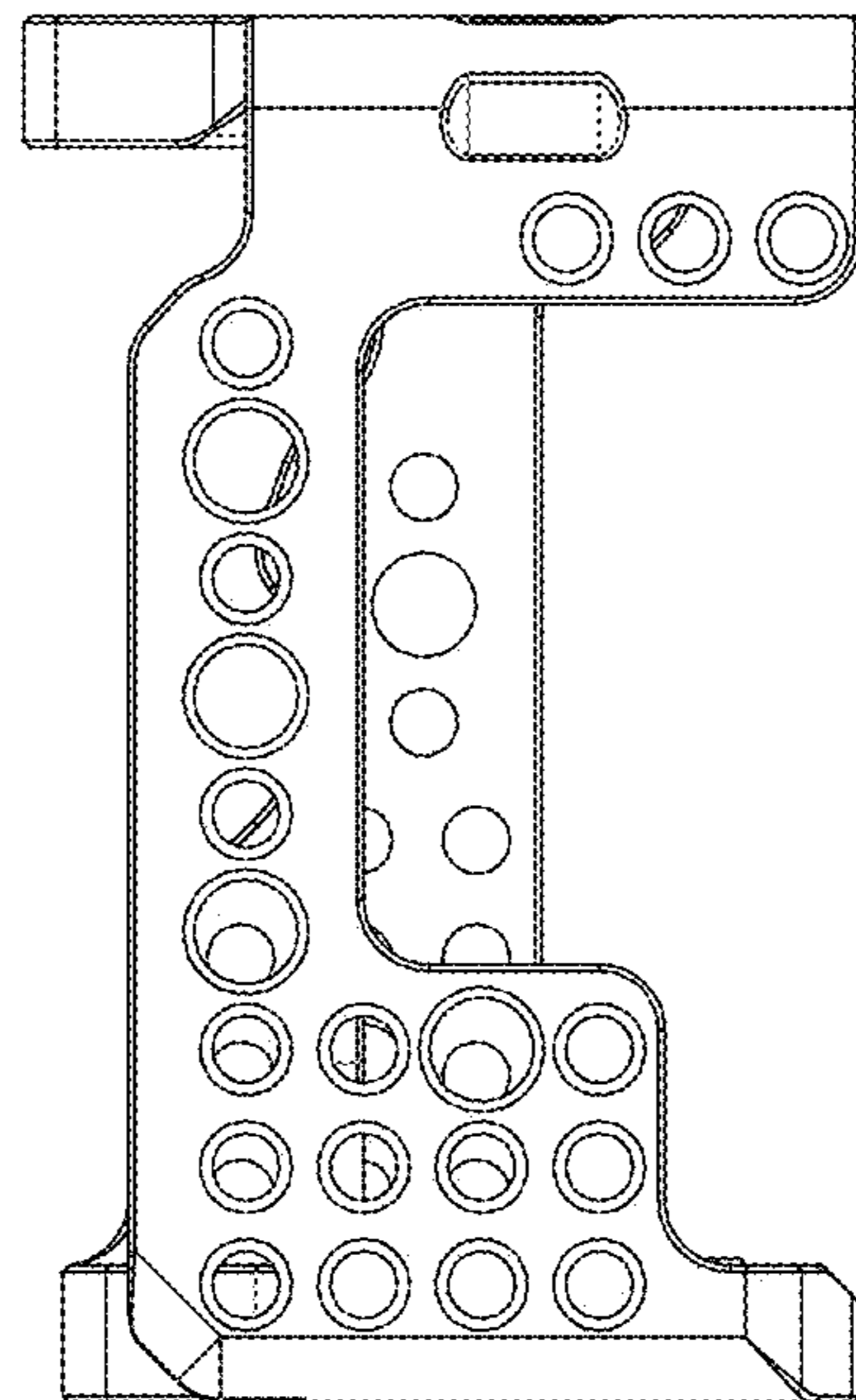


FIG. 4

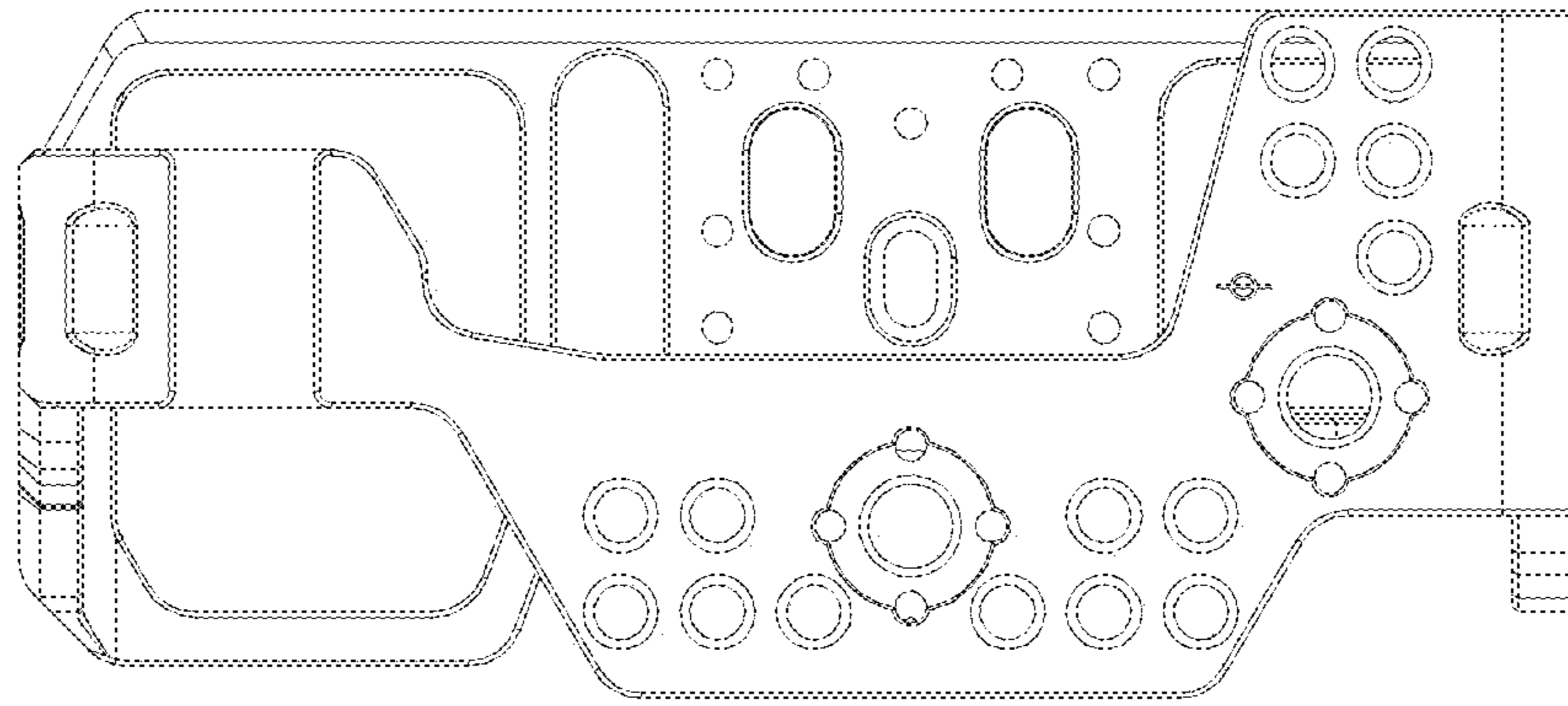


FIG. 5

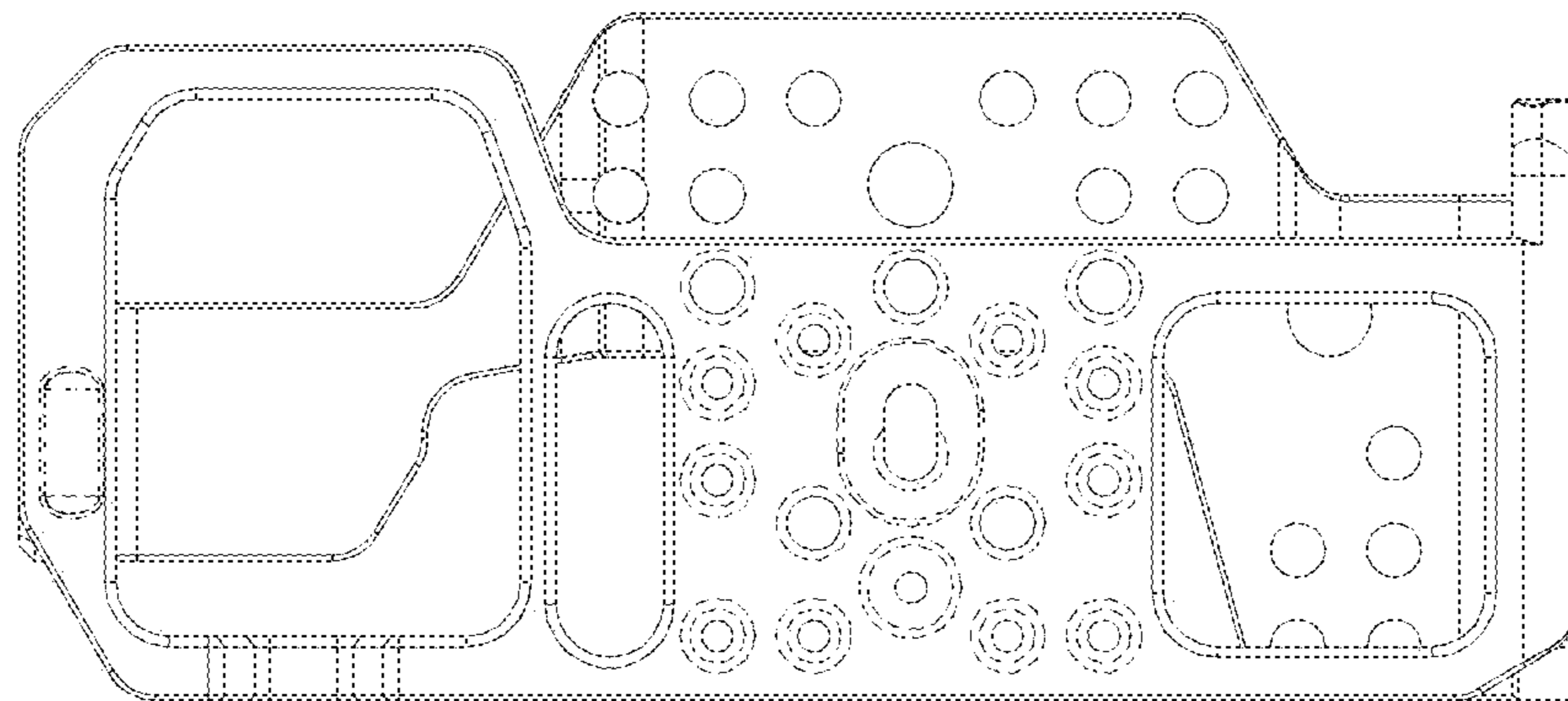


FIG. 6

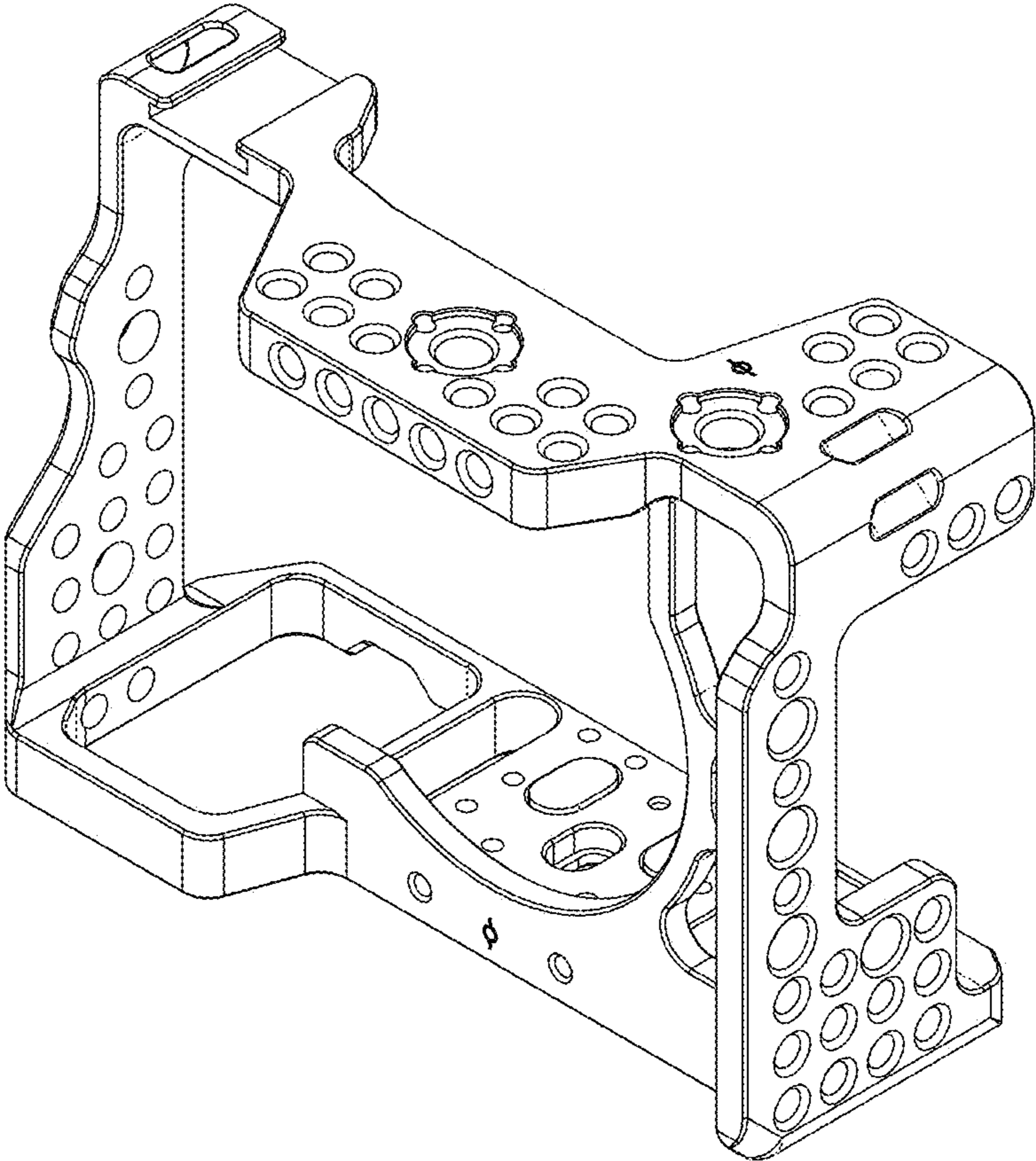


FIG. 7