



US00D908776S

(12) **United States Design Patent**
Imai

(10) **Patent No.:** **US D908,776 S**
(45) **Date of Patent:** **** Jan. 26, 2021**

(54) **GRIP FOR CAMERA**

(71) Applicant: **FUJIFILM Corporation**, Tokyo (JP)

(72) Inventor: **Masazumi Imai**, Saitama (JP)

(73) Assignee: **FUJIFILM Corporation**, Tokyo (JP)

(**) Term: **15 Years**

(21) Appl. No.: **29/637,696**

(22) Filed: **Feb. 21, 2018**

(30) **Foreign Application Priority Data**

Aug. 22, 2017 (JP) 2017-017960

(51) **LOC (13) Cl.** **16-05**

(52) **U.S. Cl.**
USPC **D16/219; D16/237**

(58) **Field of Classification Search**

USPC D16/200–204, 208, 218, 219, 237–240,
D16/242–243, 250; D8/382–383,
D8/394–396; 348/143, 148, 151, 360,
348/373–376; 396/419, 427–429, 433,
396/529, 535, 537–541

CPC G03B 15/03; G03B 17/02; G03B 17/04;
G03B 17/48; G03B 17/56; G03B 17/561;
G03B 17/568; G03B 19/04; G08G
1/0175; H04N 5/2251; H04N 5/2252;
H04N 5/2253; H04N 5/2254; F16M
11/04–11/12

See application file for complete search history.

(56) **References Cited**

U.S. PATENT DOCUMENTS

D376,380 S * 12/1996 Yang D16/242
D427,223 S * 6/2000 Shimamura D16/242

D456,348 S * 4/2002 Funakoshi D13/103
D481,007 S * 10/2003 Takahashi D13/103
D496,332 S * 9/2004 Naito D13/103
D503,185 S * 3/2005 Haga D16/242
D677,309 S * 3/2013 Asano D16/243
D686,272 S * 7/2013 Umehara D16/243
D710,426 S * 8/2014 Sato D16/243
D745,080 S * 12/2015 Masano D16/237
D842,359 S * 3/2019 Imai D16/237
D867,432 S * 11/2019 Kimura D16/237
2005/0281554 A1 * 12/2005 Iwasa G03B 17/56
396/539

* cited by examiner

Primary Examiner — Ramzi S Almatrahi

(74) *Attorney, Agent, or Firm* — Birch, Stewart, Kolasch
& Birch, LLP

(57) **CLAIM**

The ornamental design for a grip for camera, as shown and described.

DESCRIPTION

FIG. 1 is a front perspective view of a grip for camera showing my new design;
FIG. 2 is a rear perspective view thereof;
FIG. 3 is a front view thereof;
FIG. 4 is a rear view thereof;
FIG. 5 is a top plan view thereof;
FIG. 6 is a bottom plan view thereof;
FIG. 7 is a right side view thereof; and,
FIG. 8 is a left side view thereof.

The broken lines in the drawings are for purposes of illustration and form no part of the claimed design.

1 Claim, 4 Drawing Sheets

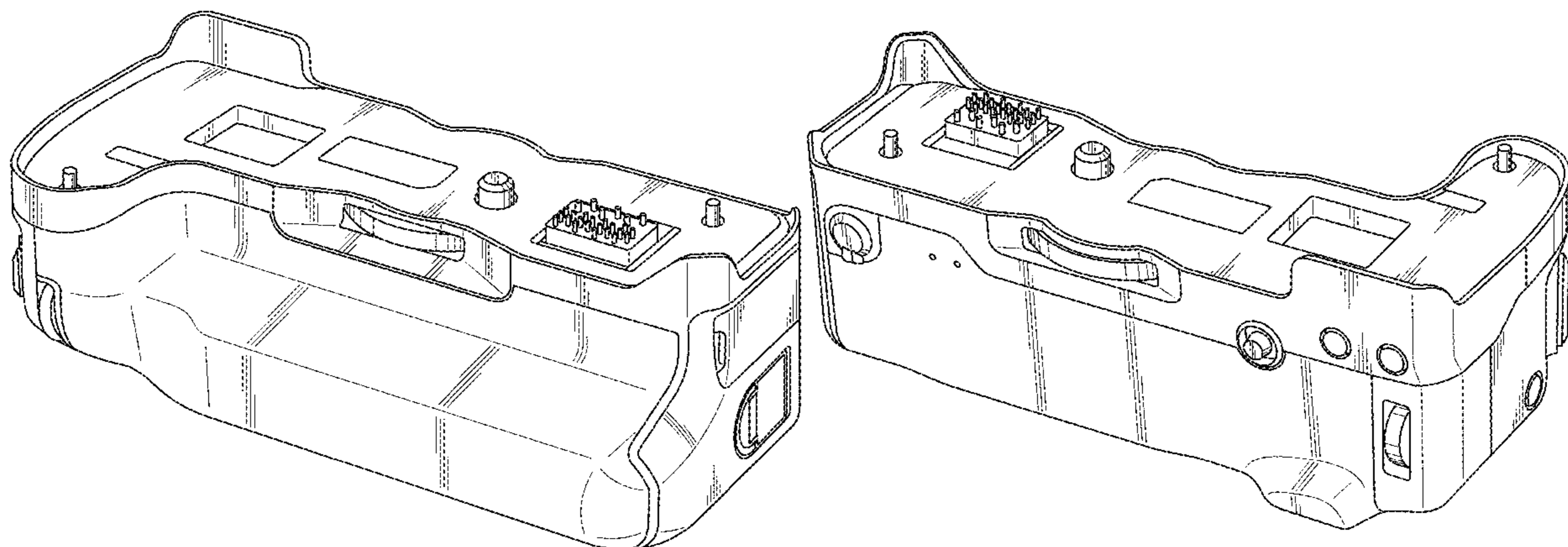


FIG. 1

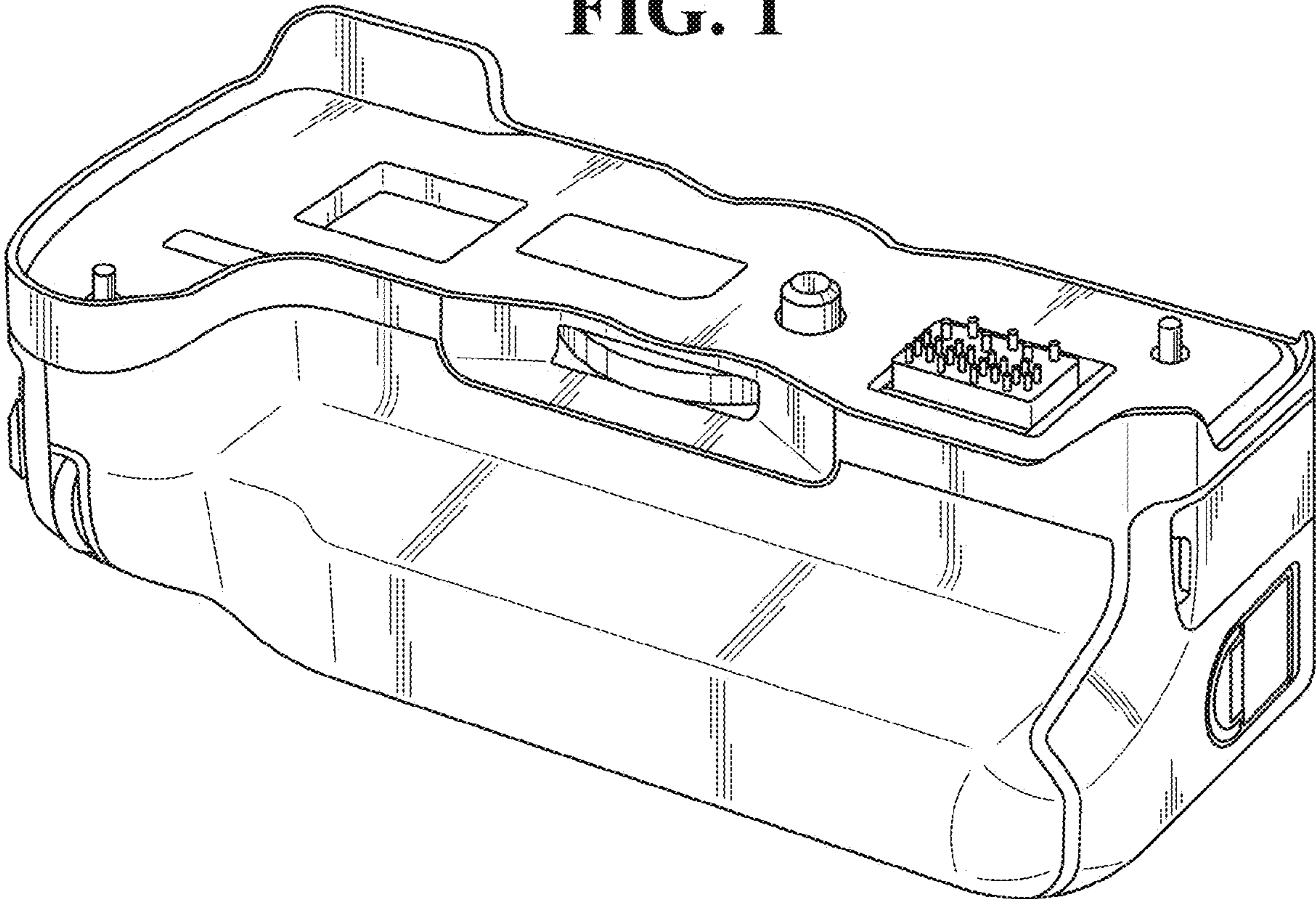


FIG. 2

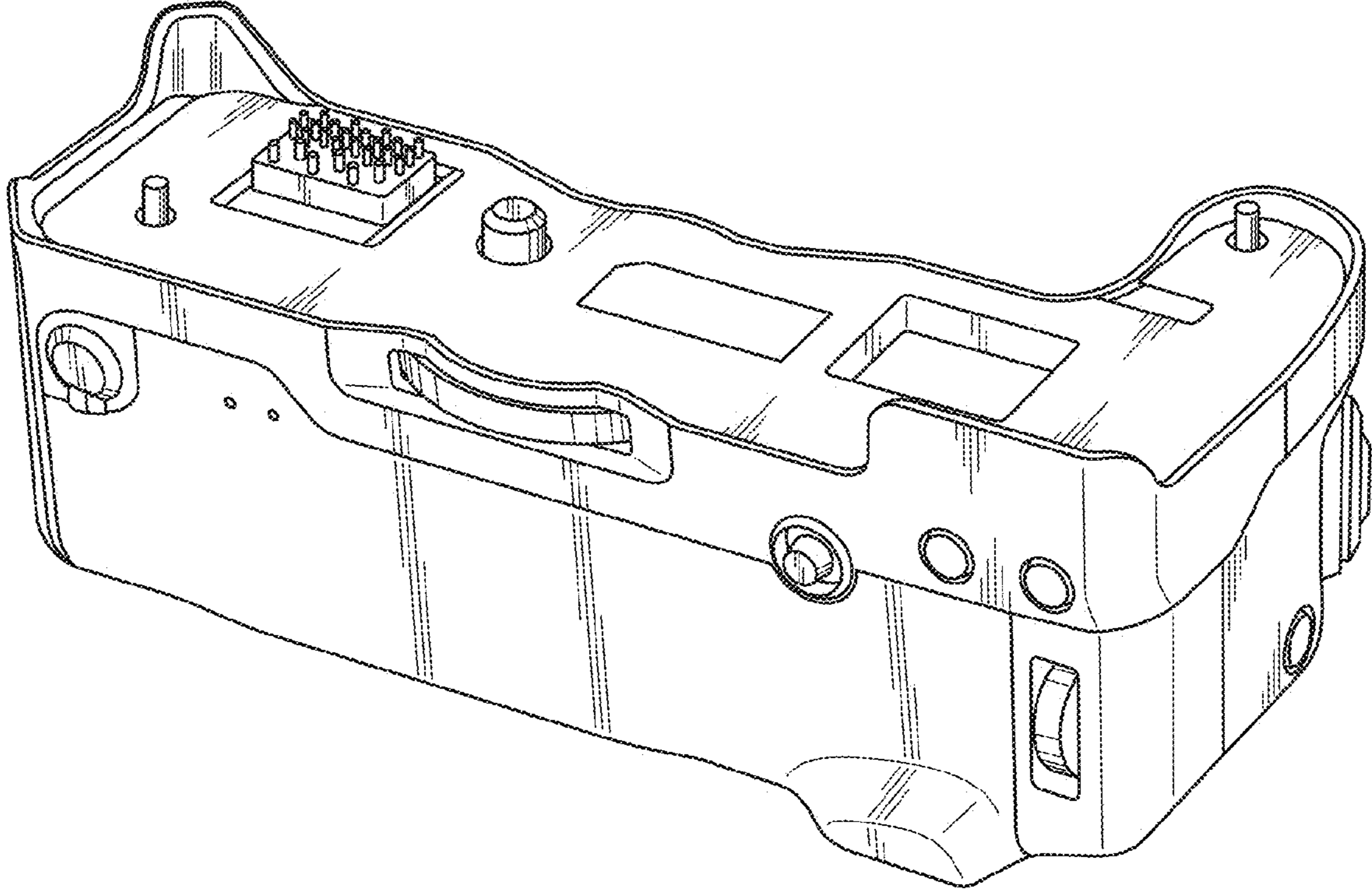


FIG. 3

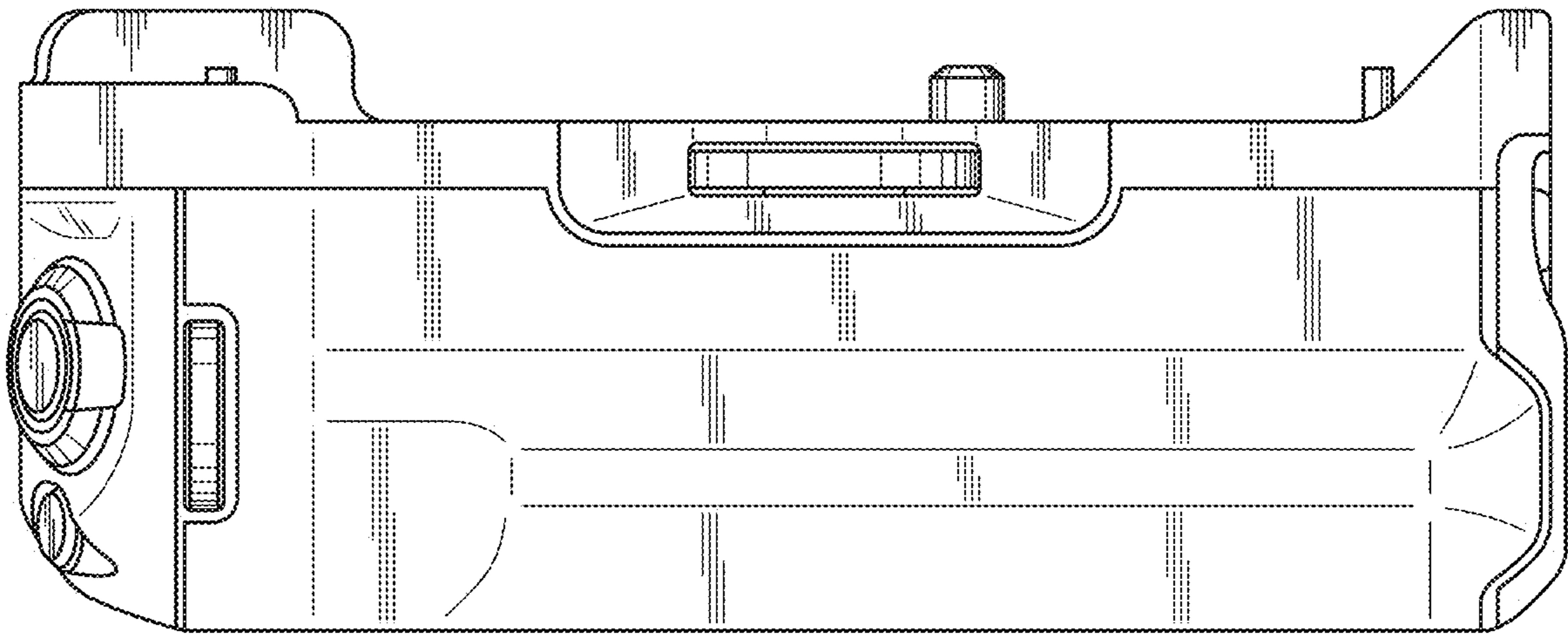


FIG. 4

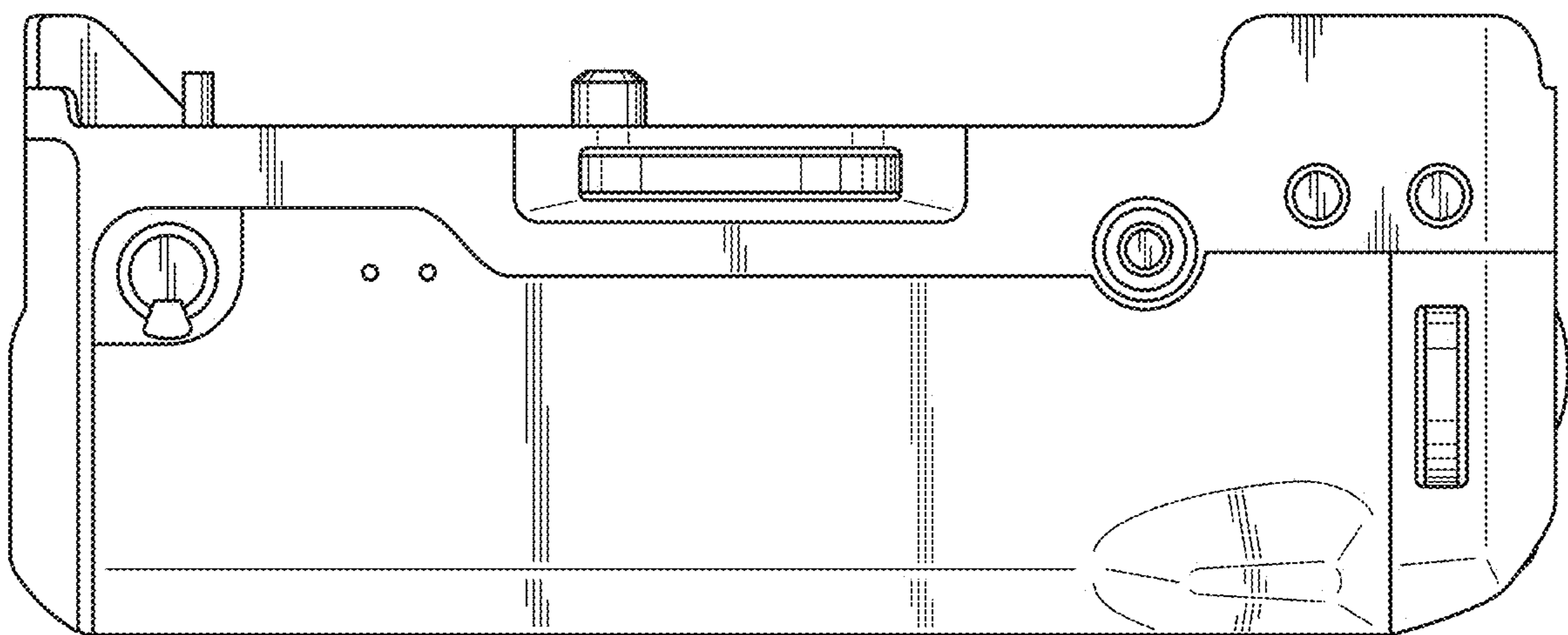


FIG. 5

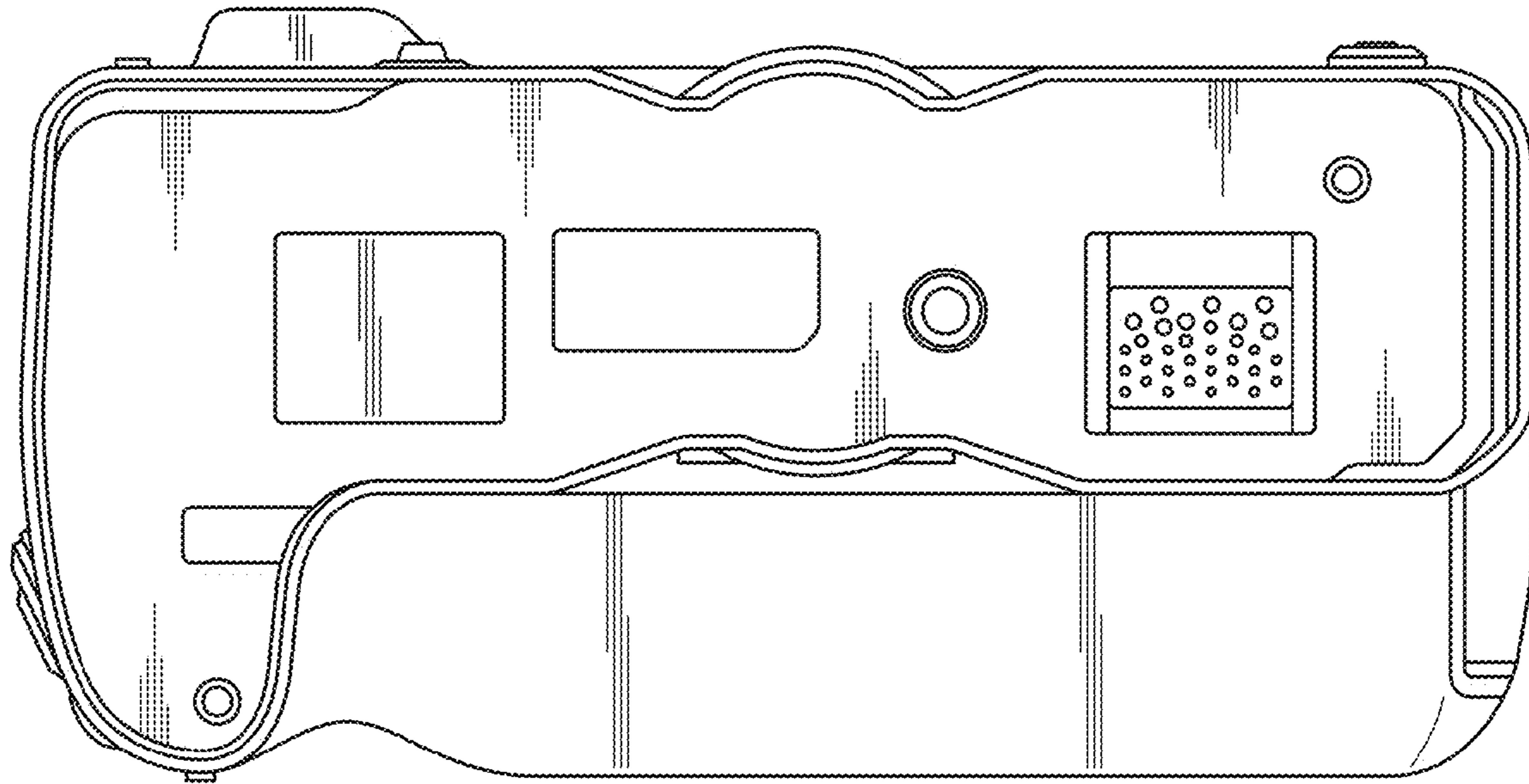


FIG. 6

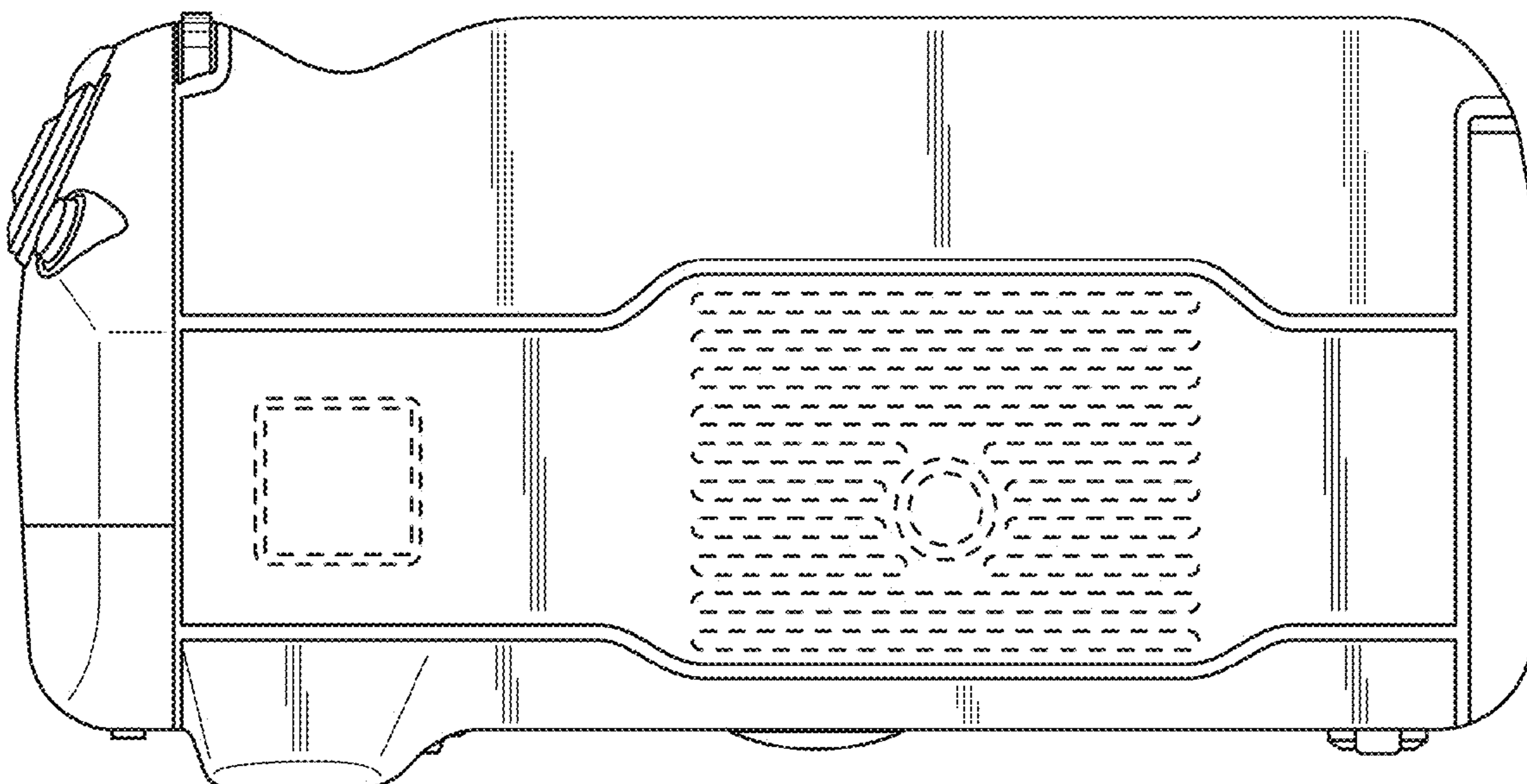


FIG. 7

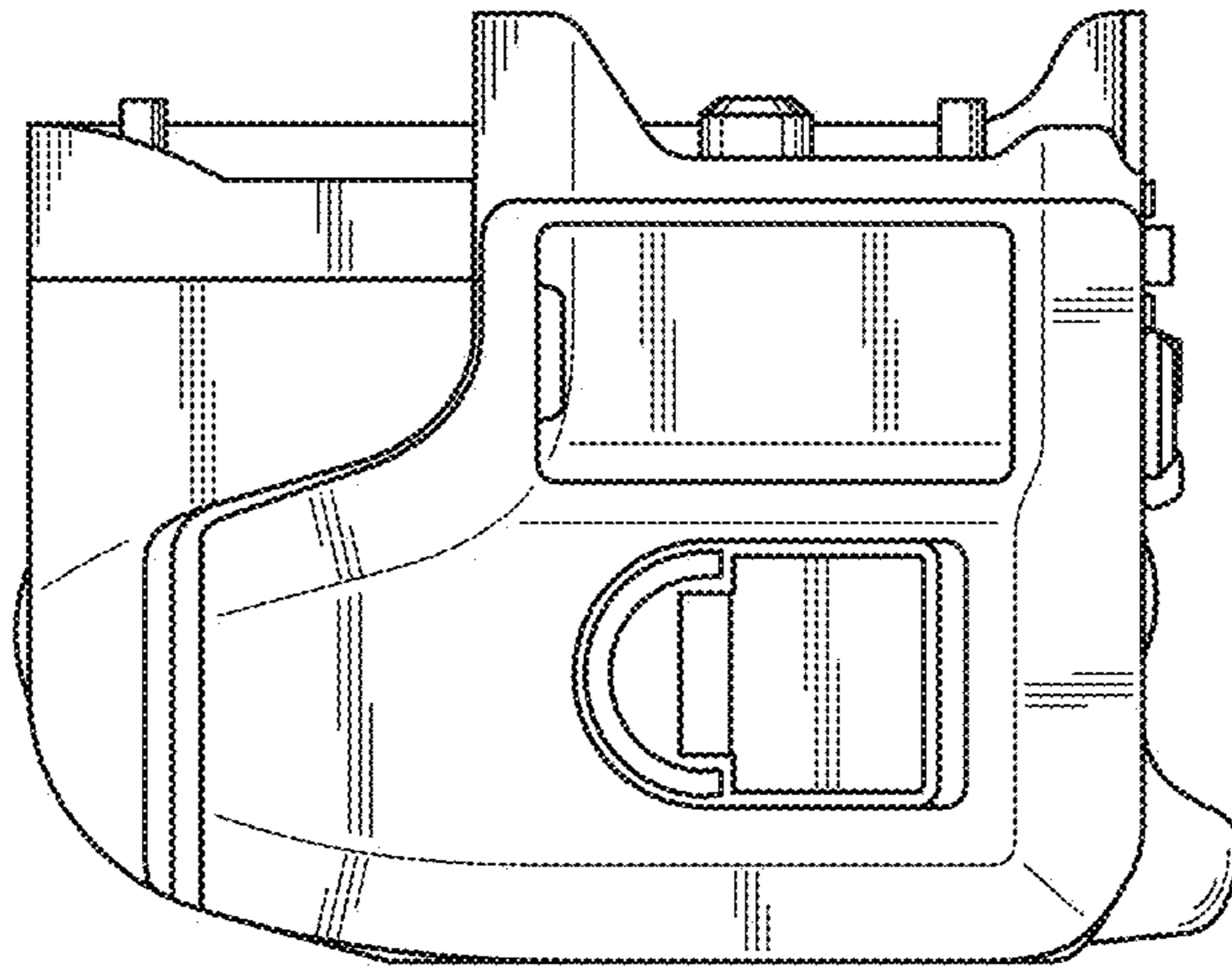


FIG. 8

