



US00D908774S

(12) **United States Design Patent**  
**Miyashita**

(10) **Patent No.:** **US D908,774 S**  
(45) **Date of Patent:** **\*\* Jan. 26, 2021**

(54) **CAMERA**

(71) Applicant: **SONY CORPORATION**, Tokyo (JP)

(72) Inventor: **Shin Miyashita**, Kanagawa (JP)

(73) Assignee: **SONY CORPORATION**, Tokyo (JP)

(\*\*) Term: **15 Years**

(21) Appl. No.: **29/619,623**

(22) Filed: **Sep. 29, 2017**

(30) **Foreign Application Priority Data**

Mar. 30, 2017 (JP) ..... D2017-006740

(51) **LOC (13) Cl.** ..... **16-05**

(52) **U.S. Cl.**  
USPC ..... **D16/219**

(58) **Field of Classification Search**  
USPC ..... D16/200, 202–206, 208, 218, 219, 242;  
348/164, 347, 373–376; 396/535,  
396/539–541  
CPC ..... G03B 15/03; G03B 17/02; G03B 17/04;  
G03B 17/56; G03B 19/04; H04N 5/2251;  
H04N 5/2252; H04N 5/2253; H04N  
5/2254; H04N 2101/00; H04N 5/33;  
H04N 5/332

See application file for complete search history.

(56) **References Cited**

**U.S. PATENT DOCUMENTS**

D492,953 S	*	7/2004	Mitsuse	.....	D16/202
D501,496 S		2/2005	Sadatsuki		
D502,202 S	*	2/2005	Mitsuse	.....	D16/202
D524,346 S	*	7/2006	Haga	.....	D16/202
D528,580 S		9/2006	Sumita		
D536,014 S	*	1/2007	Ishii	.....	D14/168
D539,319 S		3/2007	Masamitsu et al.		

D540,362 S		4/2007	Yamagishi		
D540,364 S		4/2007	Ishii		
D550,742 S		9/2007	Ishii		
D604,349 S	*	11/2009	Miyashita	.....	D16/206
D672,802 S	*	12/2012	Nojima	.....	D16/219
D690,755 S	*	10/2013	Nikaido	.....	D16/202
D723,607 S	*	3/2015	Noh	.....	D16/219
D724,643 S	*	3/2015	Kim	.....	D16/219
D749,658 S	*	2/2016	Watanabe	.....	D16/202
D749,662 S	*	2/2016	Chen	.....	D16/203
D775,256 S	*	12/2016	Kobayashi	.....	D16/219
D806,771 S	*	1/2018	Nikaido	.....	D16/202
D810,812 S	*	2/2018	Abe	.....	D16/219
D811,467 S	*	2/2018	Osada	.....	D16/219

(Continued)

*Primary Examiner* — Ramzi S Almatrahi

(74) *Attorney, Agent, or Firm* — Michael Best & Friedrich LLP

(57) **CLAIM**

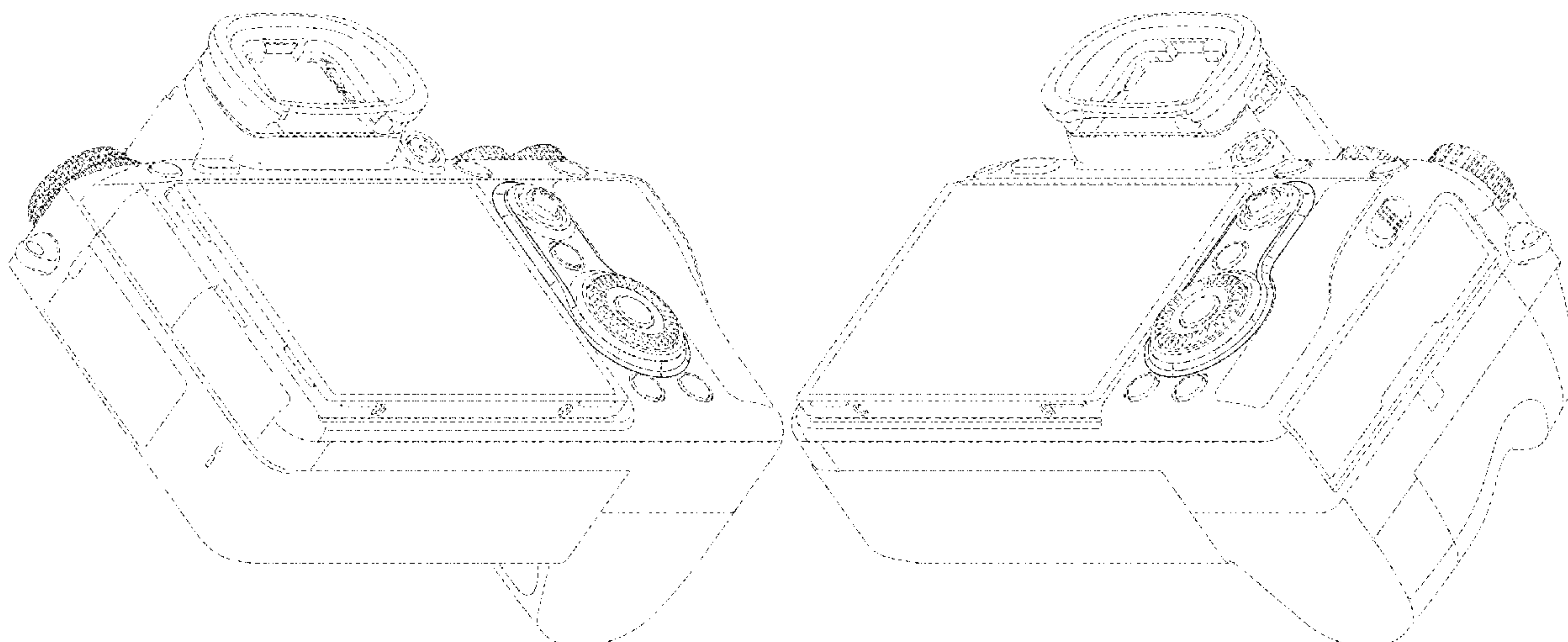
The ornamental design for a camera, as shown and described.

**DESCRIPTION**

FIG. 1 is a rear, bottom and right side perspective view of a camera showing my new design;  
FIG. 2 is a rear, top and right side perspective view thereof;  
FIG. 3 is a rear, bottom and left side perspective view thereof;  
FIG. 4 is a rear, top and left side perspective view thereof;  
FIG. 5 is a rear elevational view thereof;  
FIG. 6 is a right side elevational view thereof;  
FIG. 7 is a left side elevational view thereof;  
FIG. 8 is a top plan view thereof; and,  
FIG. 9 is a bottom plan view thereof.

The broken lines depict portions of the camera in which the design is embodied that form no part of the claimed design. Additionally, the dash-dot lines denote the boundary of the claim and form no part of the claimed design.

**1 Claim, 9 Drawing Sheets**



(56)

**References Cited**

U.S. PATENT DOCUMENTS

D819,722 S \* 6/2018 Tajima ..... D16/219  
D846,620 S \* 4/2019 Katori ..... D16/219  
D863,405 S \* 10/2019 Tajima ..... D16/219

\* cited by examiner

Fig. 1

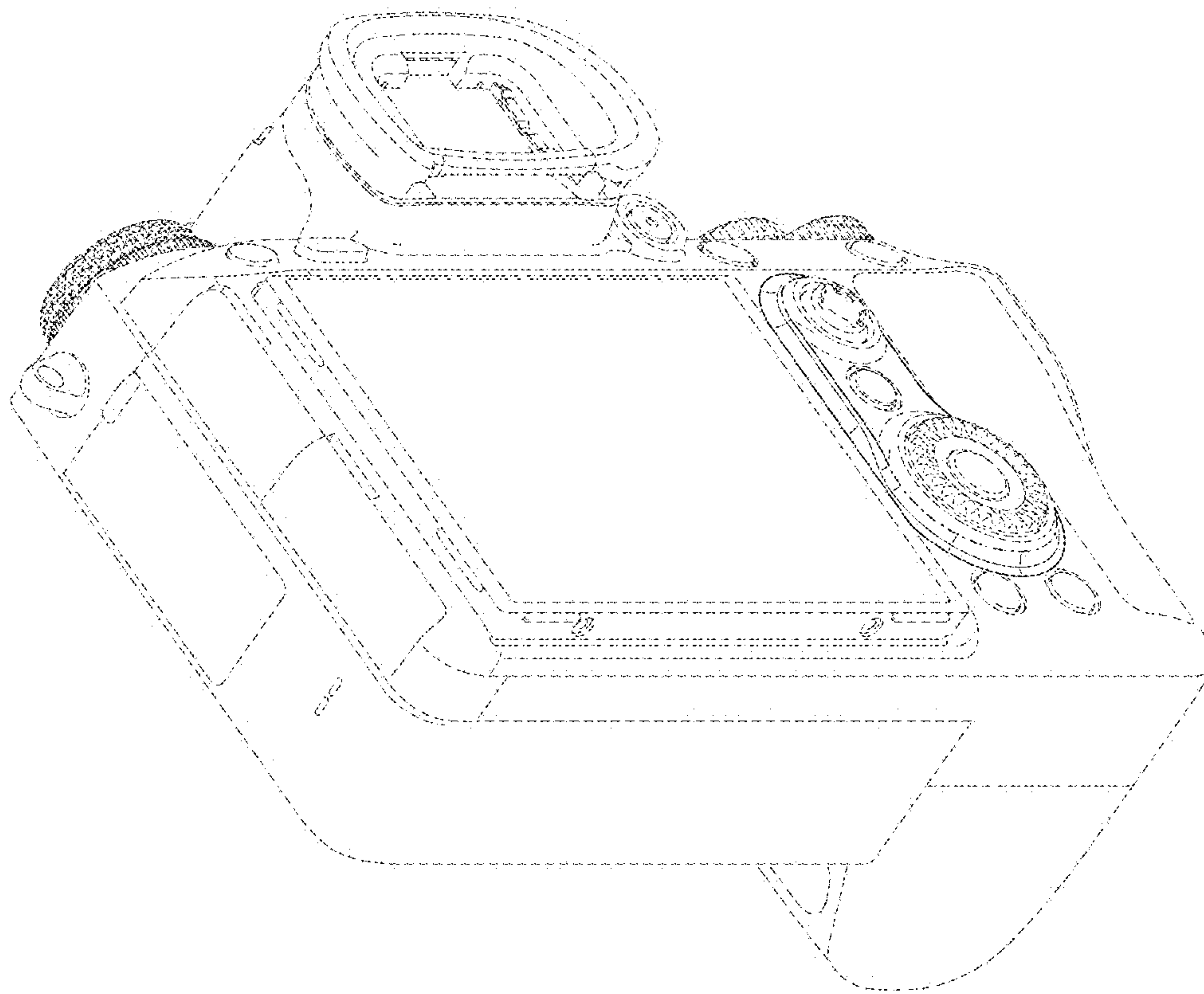


Fig.2

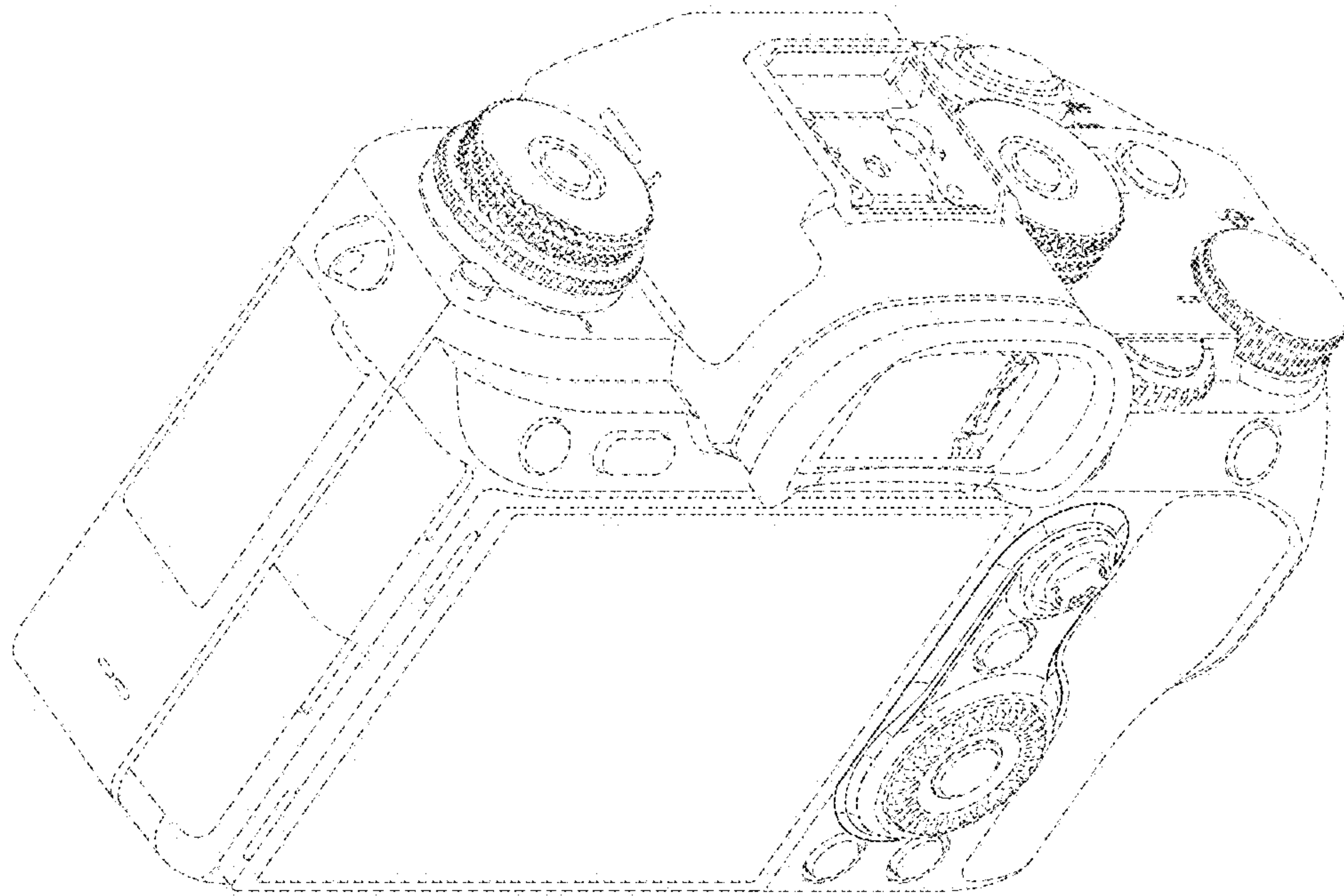


Fig.3

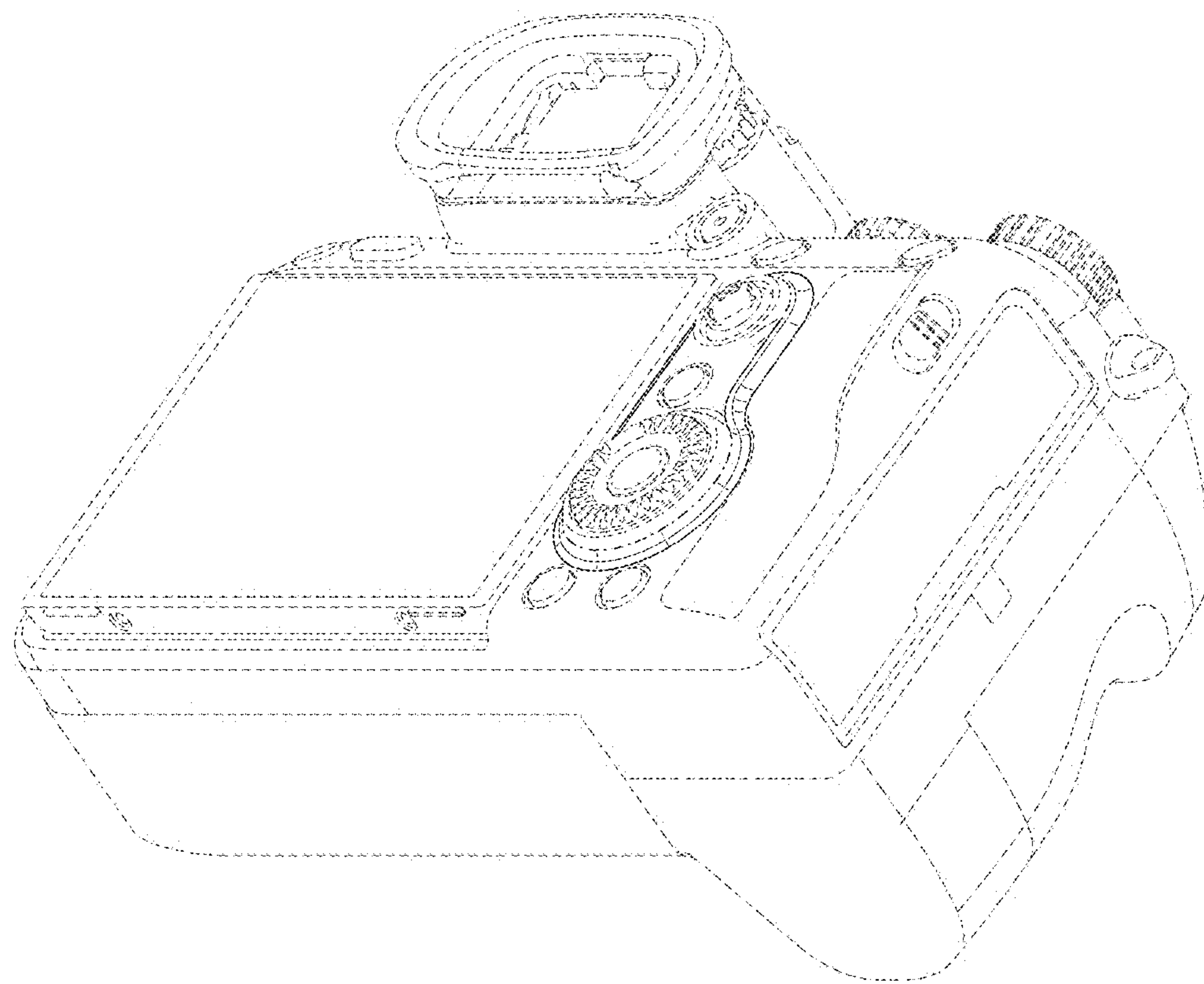




Fig.4

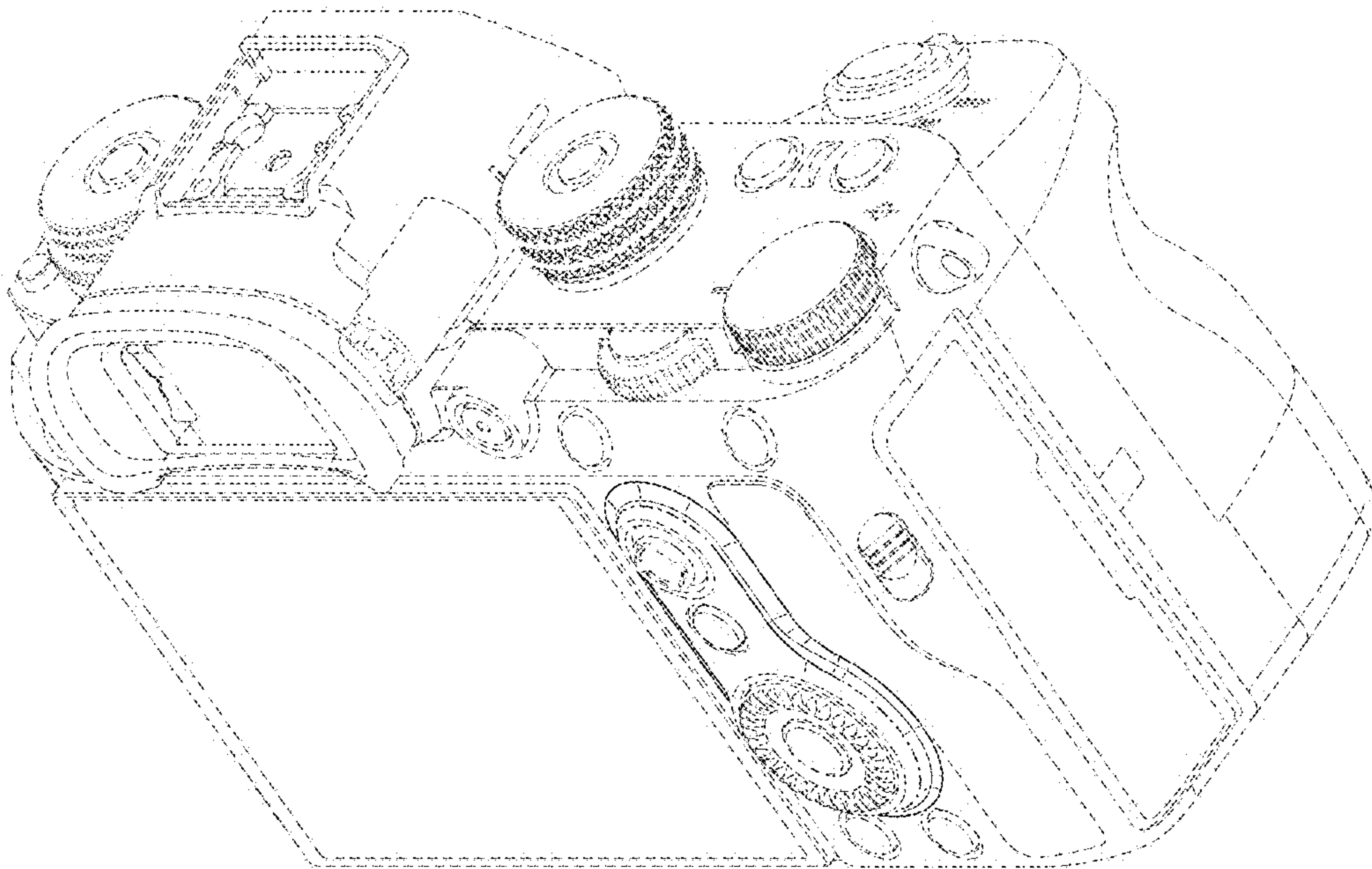


Fig. 5

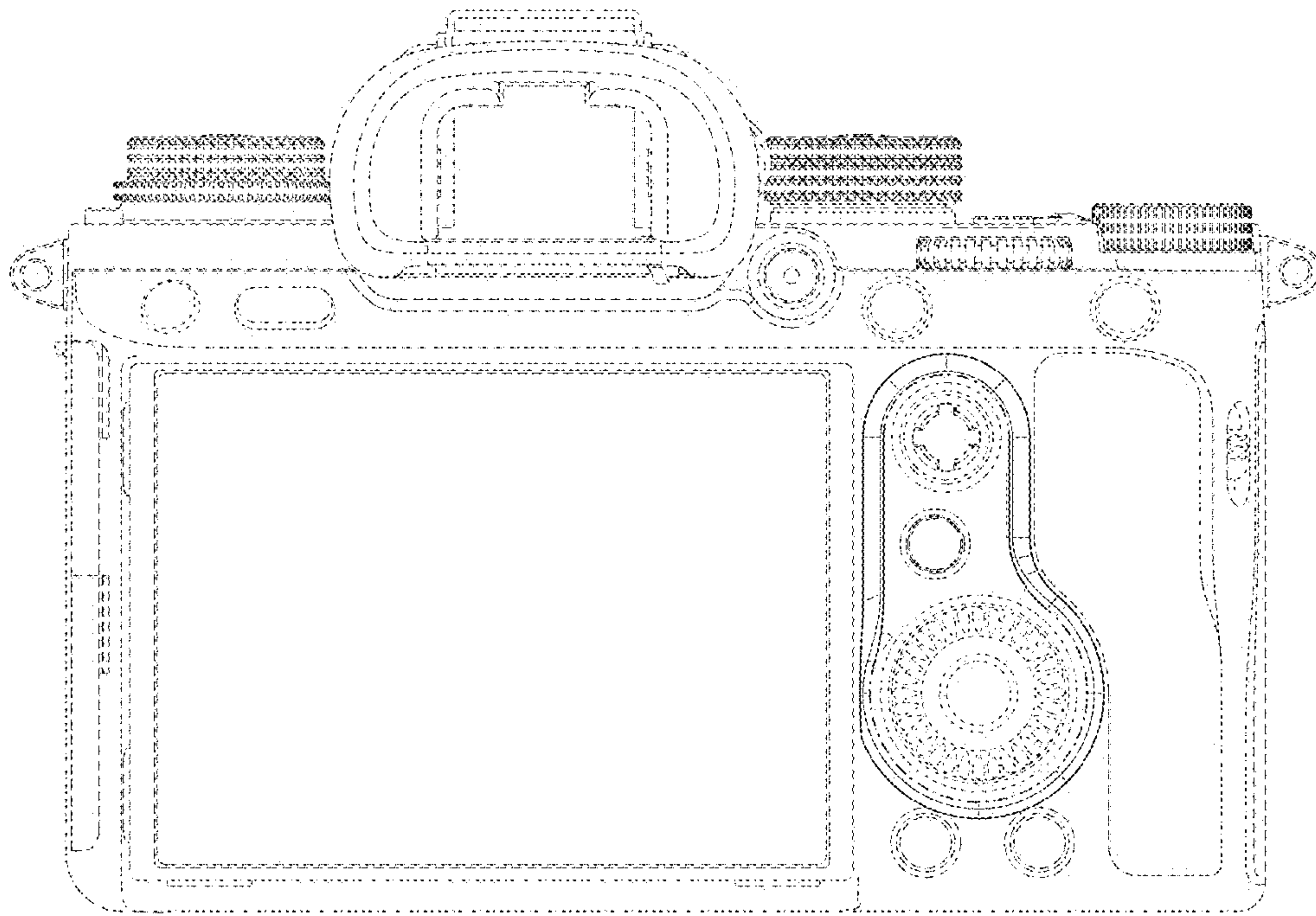


Fig.6

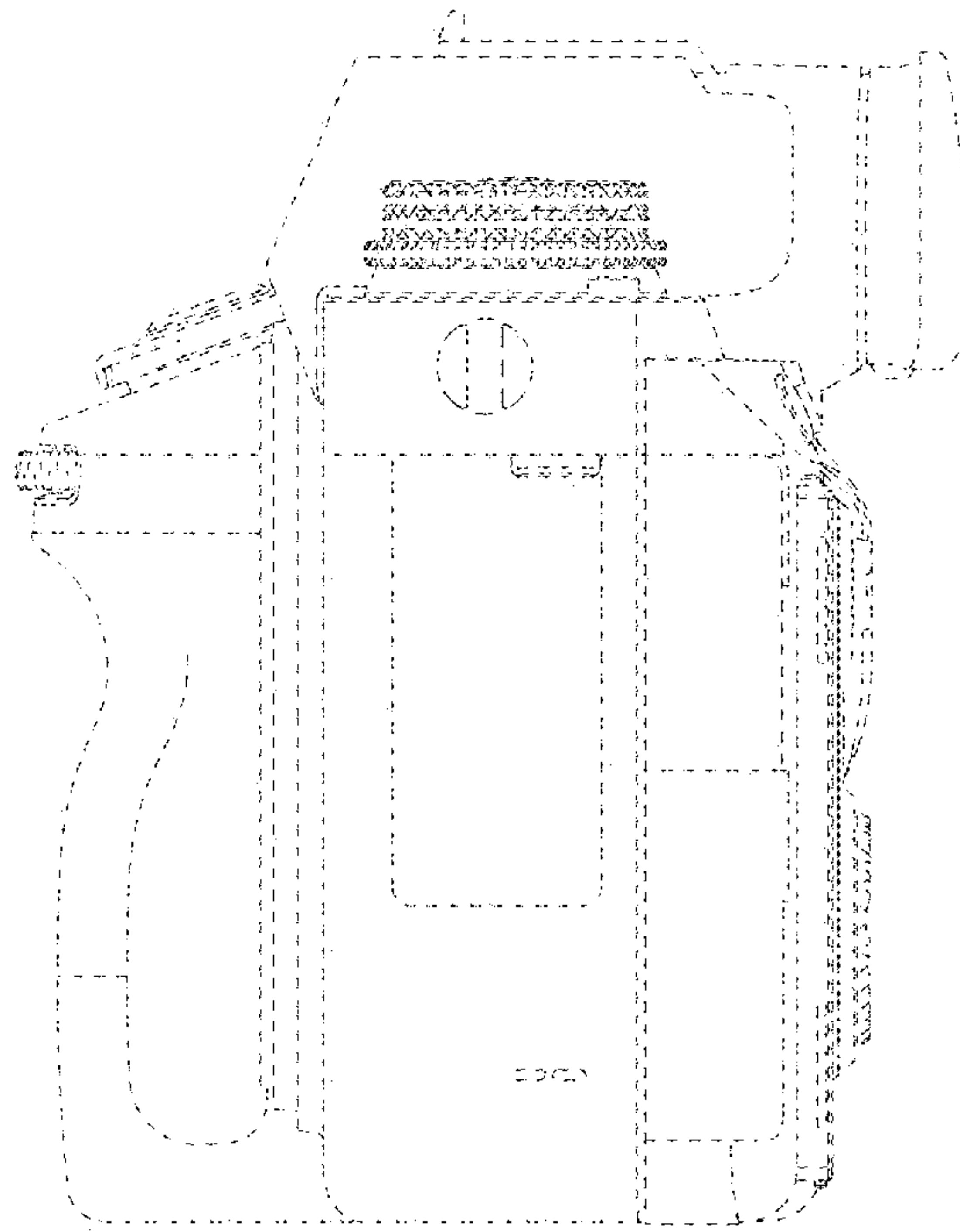




Fig.7

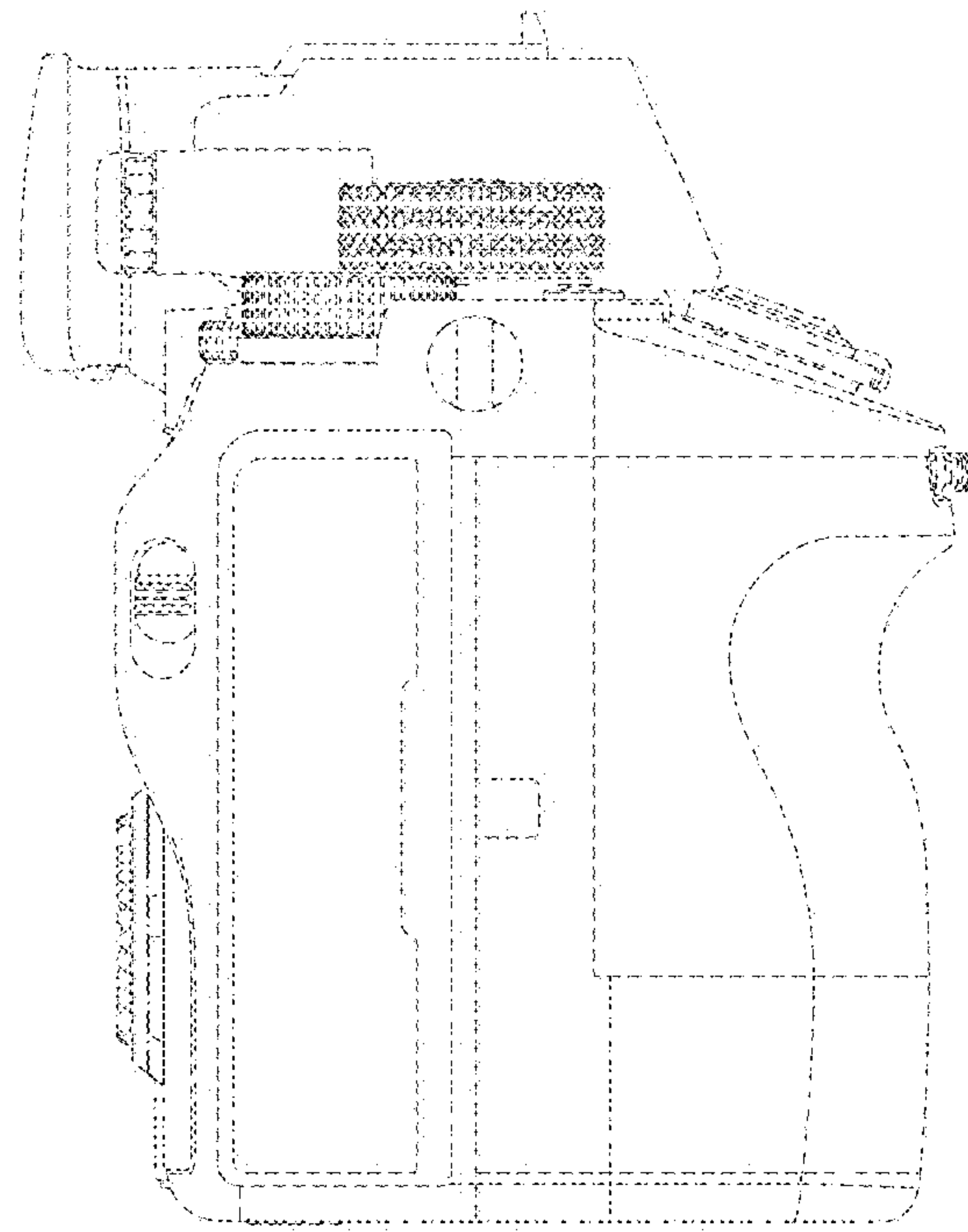


Fig. 8

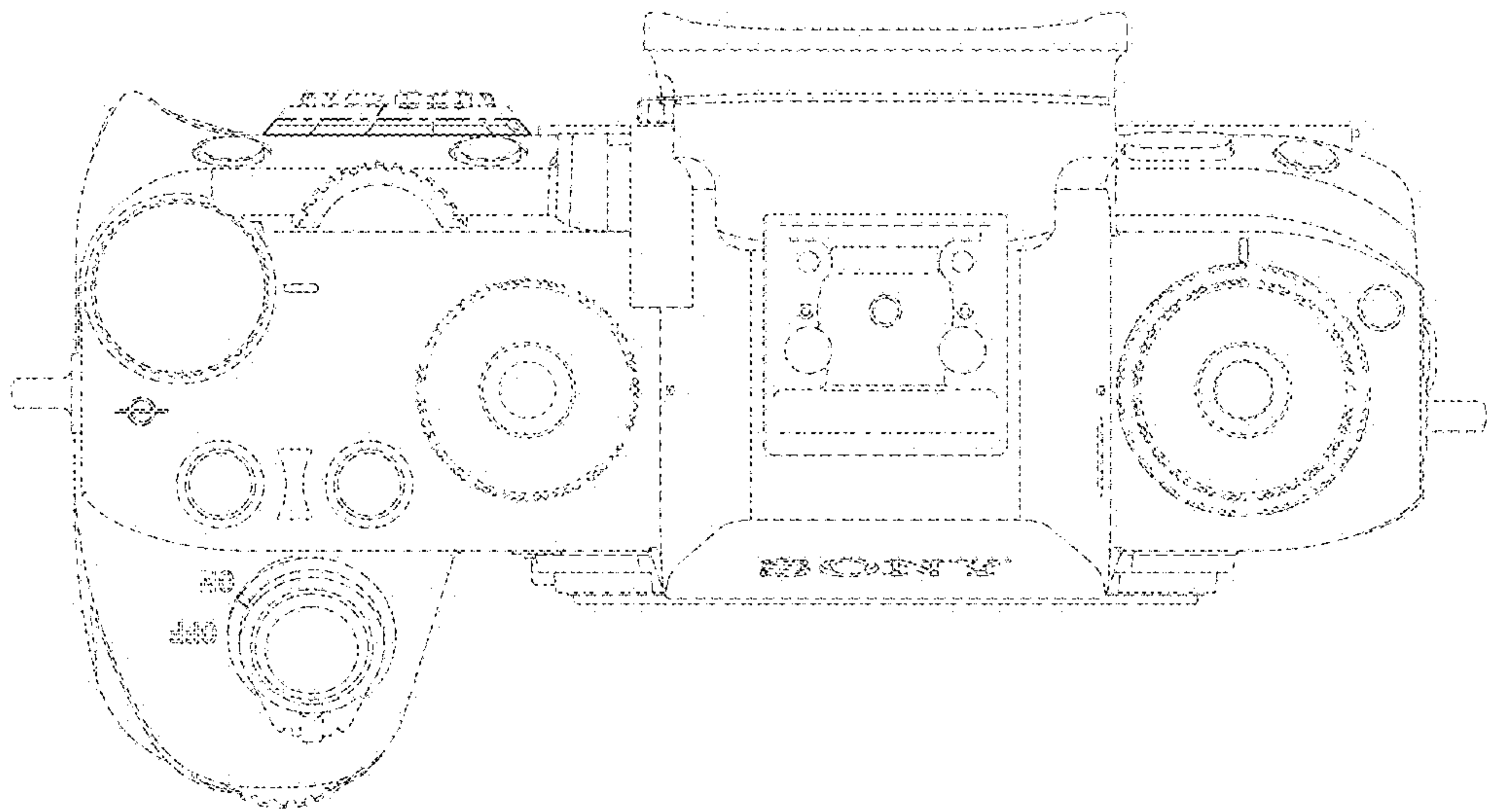


Fig. 9

