



US00D908773S

(12) **United States Design Patent**
Miyazaki et al.

(10) **Patent No.:** **US D908,773 S**
(45) **Date of Patent:** **** Jan. 26, 2021**

(54) **VIDEO CAMERA**

(71) Applicant: **Sony Corporation**, Tokyo (JP)

(72) Inventors: **Takeshi Miyazaki**, Tokyo (JP); **Hiroaki Yokoyama**, Tokyo (JP); **Rui Morisawa**, Tokyo (JP); **Takumi Suzuki**, Kanagawa (JP)

(73) Assignee: **SONY CORPORATION**, Tokyo (JP)

(**) Term: **15 Years**

(21) Appl. No.: **29/553,250**

(22) Filed: **Jan. 29, 2016**

Related U.S. Application Data

(63) Continuation-in-part of application No. 29/538,021, filed on Aug. 31, 2015, which is a continuation-in-part of application No. 29/421,438, filed on Jul. 27, 2012, now Pat. No. Des. 757,836.

(51) **LOC (13) Cl.** **16-05**

(52) **U.S. Cl.**
USPC **D16/219**

(58) **Field of Classification Search**
USPC D16/200, 202–206, 208, 218, 219;
348/373–376; 396/535, 539–541
CPC G03B 15/03; G03B 17/02; G03B 17/04;
G03B 17/56; G03B 19/04; H04N 5/2251;
H04N 5/2252; H04N 5/2253; H04N
5/2254; H04N 2101/00
See application file for complete search history.

(56) **References Cited**

U.S. PATENT DOCUMENTS

3,667,365 A 6/1972 Fujimoto et al.
D378,095 S * 2/1997 Hasegawa D16/203
D410,663 S 6/1999 Ogasawara
D421,618 S 3/2000 Chen
D463,469 S * 9/2002 Kawase D16/202

D463,809 S * 10/2002 Lo D16/202
D484,164 S 12/2003 Ogura
D493,810 S * 8/2004 Katayama D16/202
(Continued)

FOREIGN PATENT DOCUMENTS

JP D1149265 S 8/2002
JP D1228745 S 1/2005
(Continued)

OTHER PUBLICATIONS

Web page, “Camcorders—Sony Develops an Ultra Compact HD Video Camera Solution for Point-of-View Shooting and Action Sports”, https://news.sel.sony.com/en/press_room/consumer/digital_imaging/camcorders/release/63286.html?CSRT=16081534960929536390, 2 sheets, Sony Electronics Inc., Jun. 26, 2012.

(Continued)

Primary Examiner — Ramzi S Almatrahi
(74) *Attorney, Agent, or Firm* — Michael Best and Friedrich LLP

(57) **CLAIM**

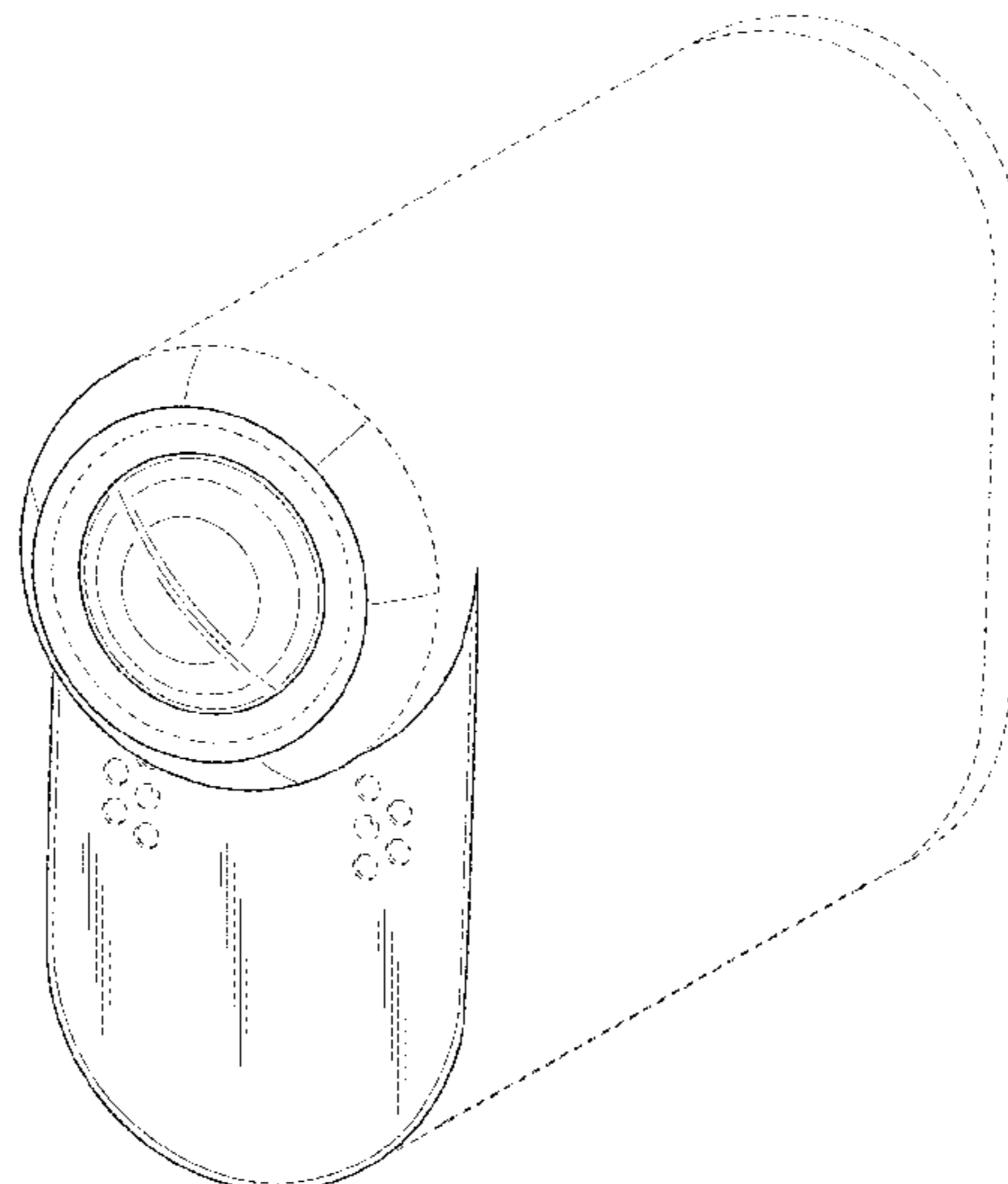
The ornamental design for a video camera, as shown and described.

DESCRIPTION

FIG. 1 is a perspective view of a video camera showing our new design;
FIG. 2 is a front elevational view thereof;
FIG. 3 is a left side elevational view thereof;
FIG. 4 is a right side elevational view thereof;
FIG. 5 is a top plan view thereof; and,
FIG. 6 is a bottom plan view thereof.

The broken lines depict portions of the video camera in which the design is embodied that form no part of the claimed design. The dot-dash broken lines define the boundaries of the claimed design and form no part of the claimed design.

1 Claim, 5 Drawing Sheets



(56)

References Cited

U.S. PATENT DOCUMENTS

D528,576 S * 9/2006 Chung D16/202
 D529,065 S * 9/2006 Watanabe D16/134
 D540,361 S * 4/2007 Yamakawa D16/203
 D540,842 S * 4/2007 Yamakawa D16/134
 D556,803 S 12/2007 Ishida
 D558,805 S * 1/2008 Sadatsuki D16/202
 D559,290 S * 1/2008 Chung D16/202
 D565,620 S * 4/2008 Masano D16/202
 D568,362 S 5/2008 Horikiri et al.
 D574,870 S * 8/2008 Takahashi D16/202
 7,522,834 B2 * 4/2009 Heaven G01N 21/15
 348/373
 D594,497 S 6/2009 Hatori et al.
 D598,942 S * 8/2009 Yanai D16/202
 7,690,851 B2 * 4/2010 Yamane F16M 11/10
 348/143
 D616,006 S 5/2010 Green et al.
 D619,155 S * 7/2010 Kim D16/202
 D621,435 S * 8/2010 Green D16/202
 D631,497 S 1/2011 Han et al.
 D636,421 S 4/2011 Sagen et al.
 D640,721 S 6/2011 Satine
 D640,722 S 6/2011 Green et al.

D651,634 S * 1/2012 Lee D16/203
 D660,339 S 5/2012 Yoshida
 8,253,796 B2 8/2012 Renkis
 D692,473 S * 10/2013 Kawaguchi D16/202
 8,593,567 B2 * 11/2013 Xiao H04N 5/2251
 348/373
 D694,797 S * 12/2013 Parker D16/202
 D727,390 S * 4/2015 Schmidt D16/218
 D736,293 S * 8/2015 Schmidt D16/203
 2008/0012980 A1 1/2008 Yamane et al.

FOREIGN PATENT DOCUMENTS

JP D1302303 S 6/2007
 JP D1316584 S 12/2007
 JP D1341471 S 10/2008
 JP D1404062 S 12/2010
 JP D1430212 S 12/2011
 JP D1430213 S 12/2011

OTHER PUBLICATIONS

Web page, "First Look: Sony's new action camera", <http://blog.sony.com/povcamera>, 9 sheets, Sony Electronics Inc., Jun. 26, 2012.

* cited by examiner

FIG.1

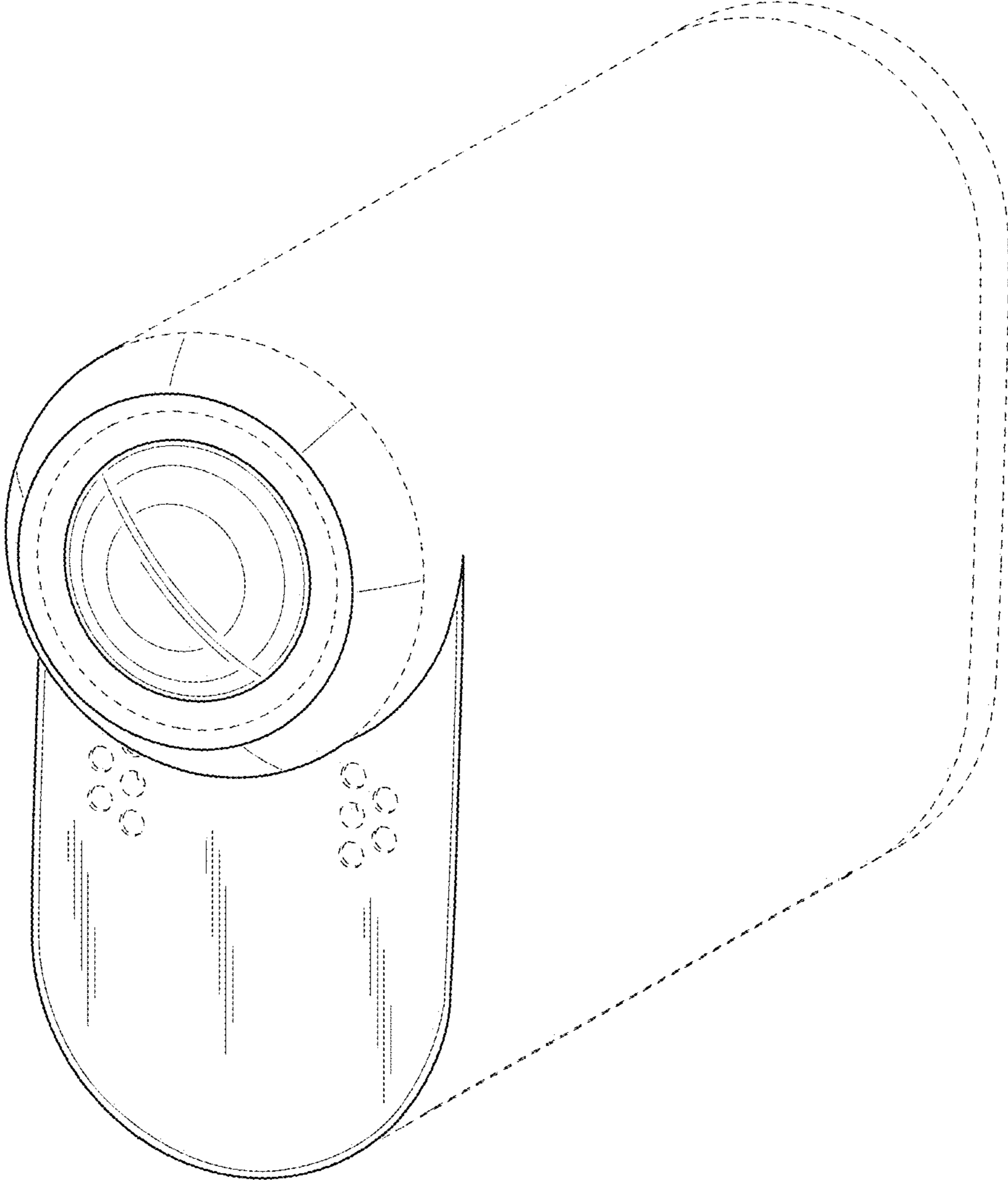


FIG.2

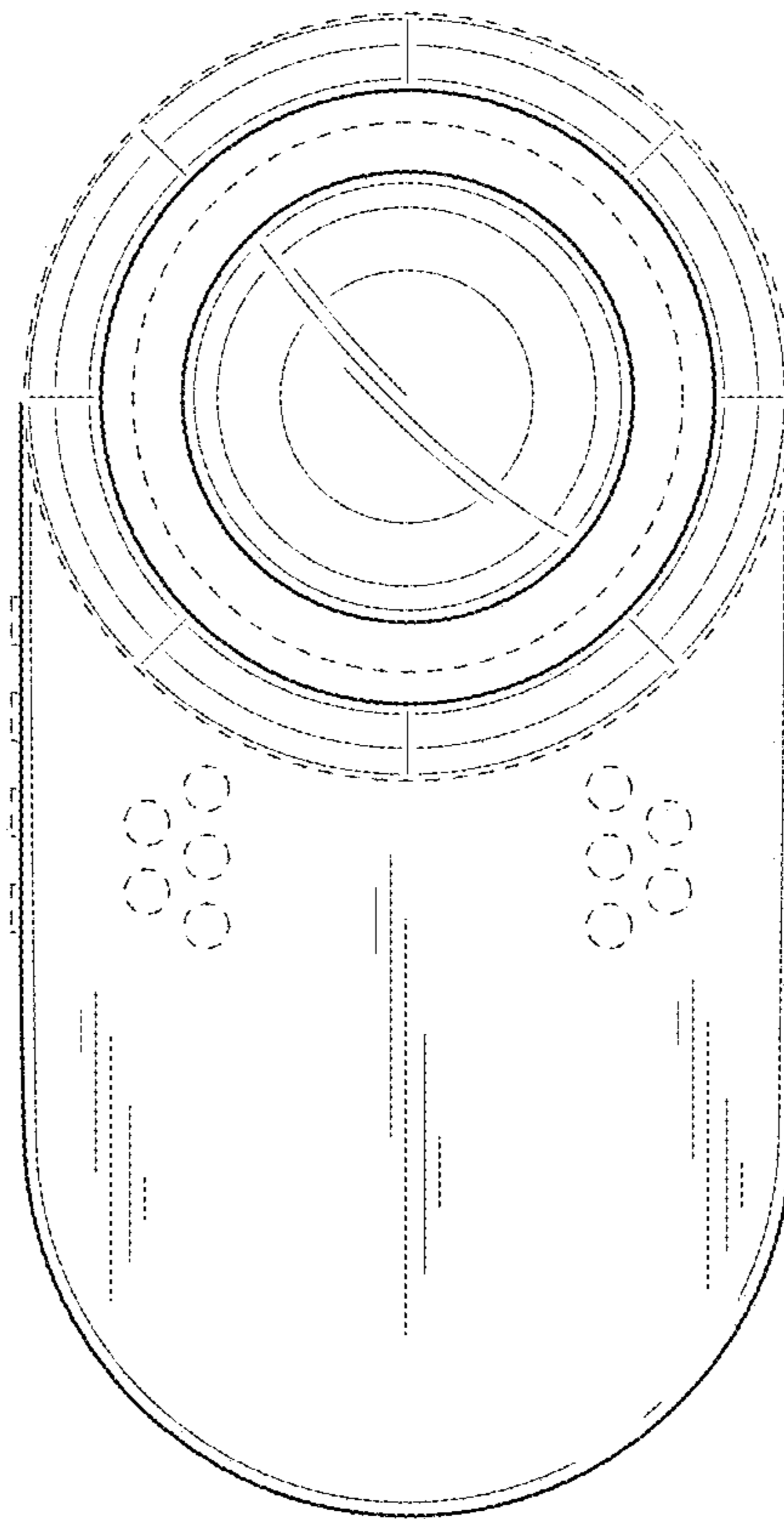


FIG.3

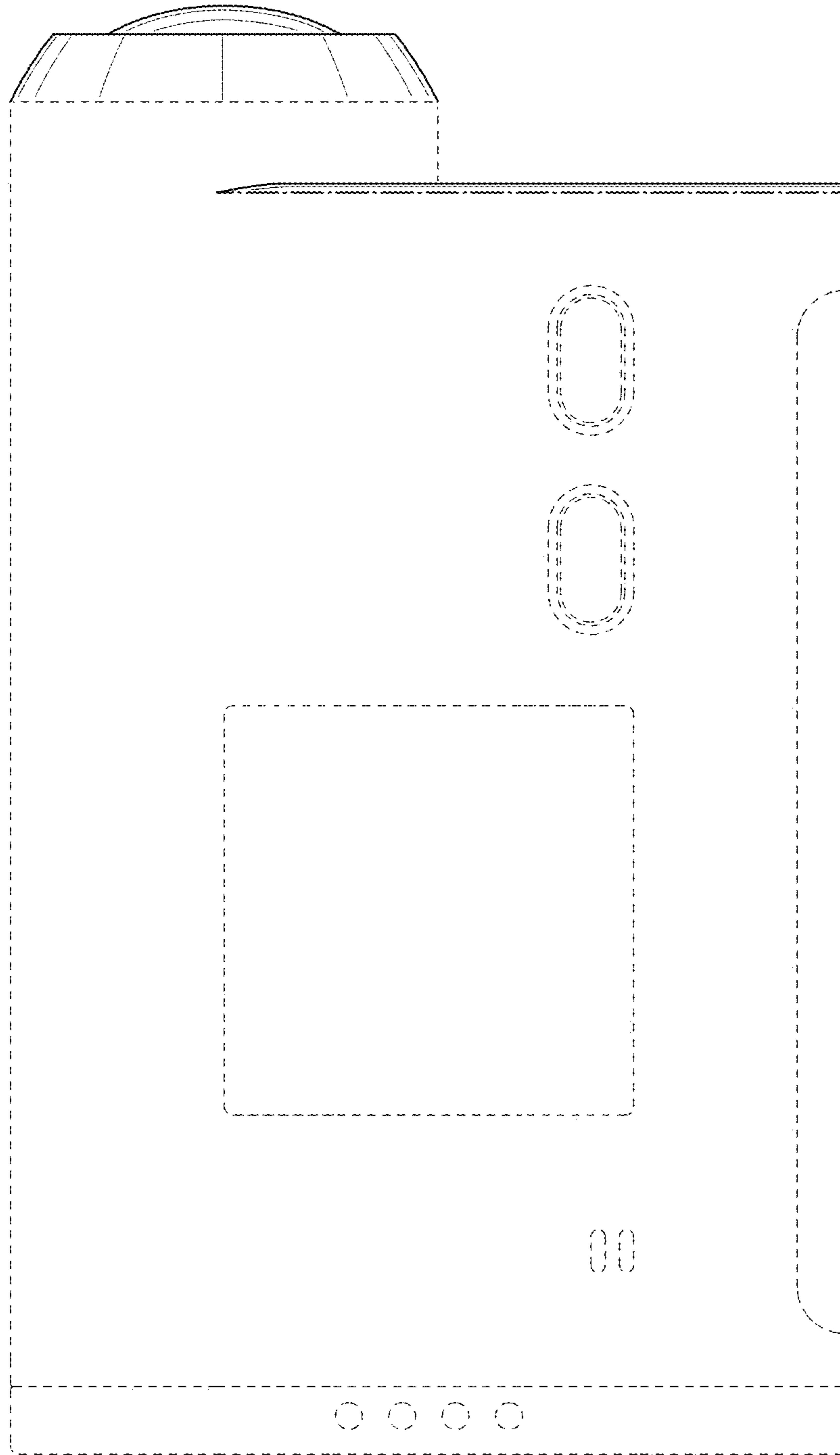


FIG.4

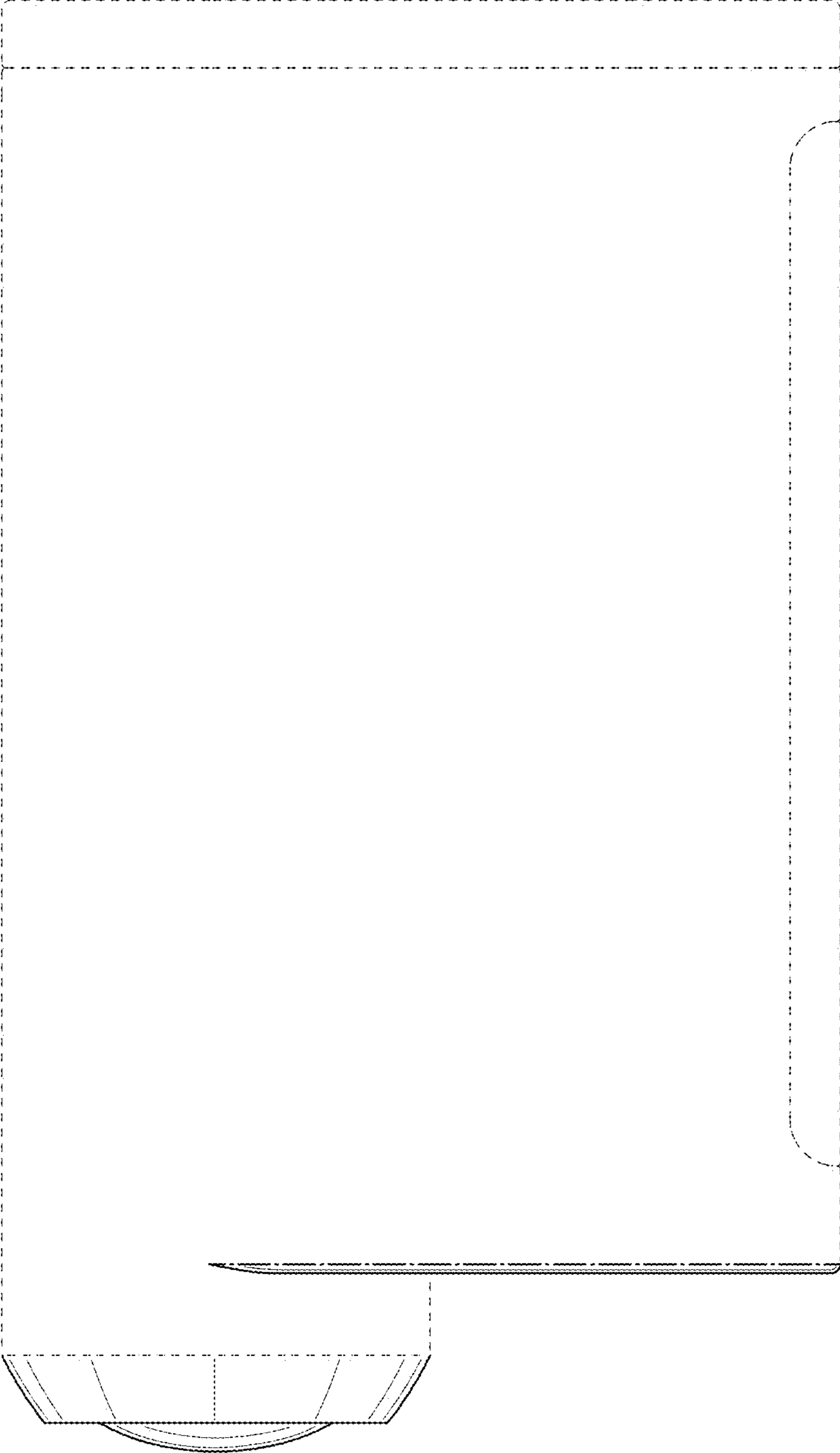


FIG.5

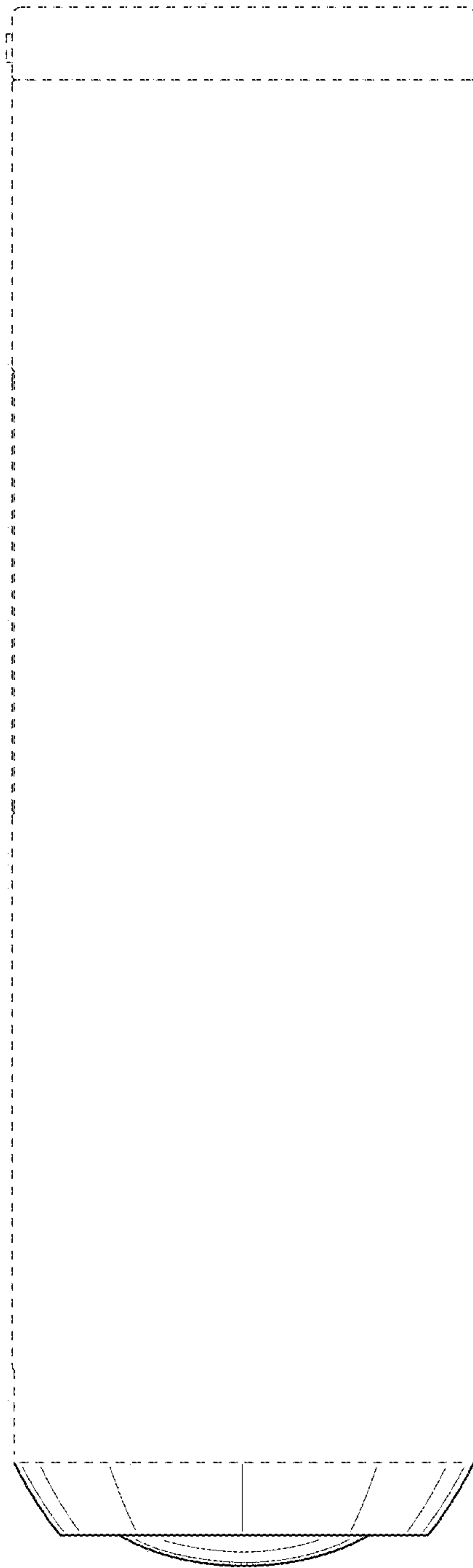


FIG.6

