



US00D908772S

(12) **United States Design Patent**
Grant et al.

(10) **Patent No.:** **US D908,772 S**

(45) **Date of Patent:** **** *Jan. 26, 2021**

- (54) **DASH CAM**
- (71) Applicant: **Portable Multimedia Limited**, West End (GB)
- (72) Inventors: **Robert Grant**, West End (GB);
Graham Lambert, West End (GB);
Ceri Hill, West End (GB)
- (73) Assignee: **PORTABLE MULTIMEDIA LIMITED**, Surrey (GB)
- (*) Notice: This patent is subject to a terminal disclaimer.
- (**) Term: **15 Years**
- (21) Appl. No.: **29/693,309**
- (22) Filed: **May 31, 2019**
- (51) **LOC (13) Cl.** **16-01**
- (52) **U.S. Cl.**
USPC **D16/208; D16/218**
- (58) **Field of Classification Search**
USPC D16/200, 212, 218, 219; 348/373-376;
396/448, 535, 539-541
CPC G03B 15/03; G03B 17/02; G03B 17/04;
G03B 17/56; G03B 19/04; H04N 5/2251;
H04N 5/2252; H04N 5/2253; H04N
5/2254; H04N 2101/00
See application file for complete search history.

D848,508 S *	5/2019	Hsu	D16/218
D849,084 S *	5/2019	Hu	D16/202
D849,817 S *	5/2019	Wang	D16/218
D852,255 S *	6/2019	Guo	D16/202
D854,597 S *	7/2019	Gao	D16/202
D857,076 S *	8/2019	Gan	D16/202
D867,420 S *	11/2019	Zhang	D16/202
D868,725 S *	12/2019	Zhou	D14/167
D870,183 S *	12/2019	Tsukamoto	D16/218
D875,803 S *	2/2020	Yuan	D16/202
2013/0004152 A1 *	1/2013	Imafuji	G03B 15/02 396/155

* cited by examiner

Primary Examiner — Ramzi S Almatrahi
(74) *Attorney, Agent, or Firm* — Hickman Palermo
Becker Bingham LLP; Malgorzata A. Kulczycka

(57) **CLAIM**

The ornamental design for a dash cam, as shown and described.

DESCRIPTION

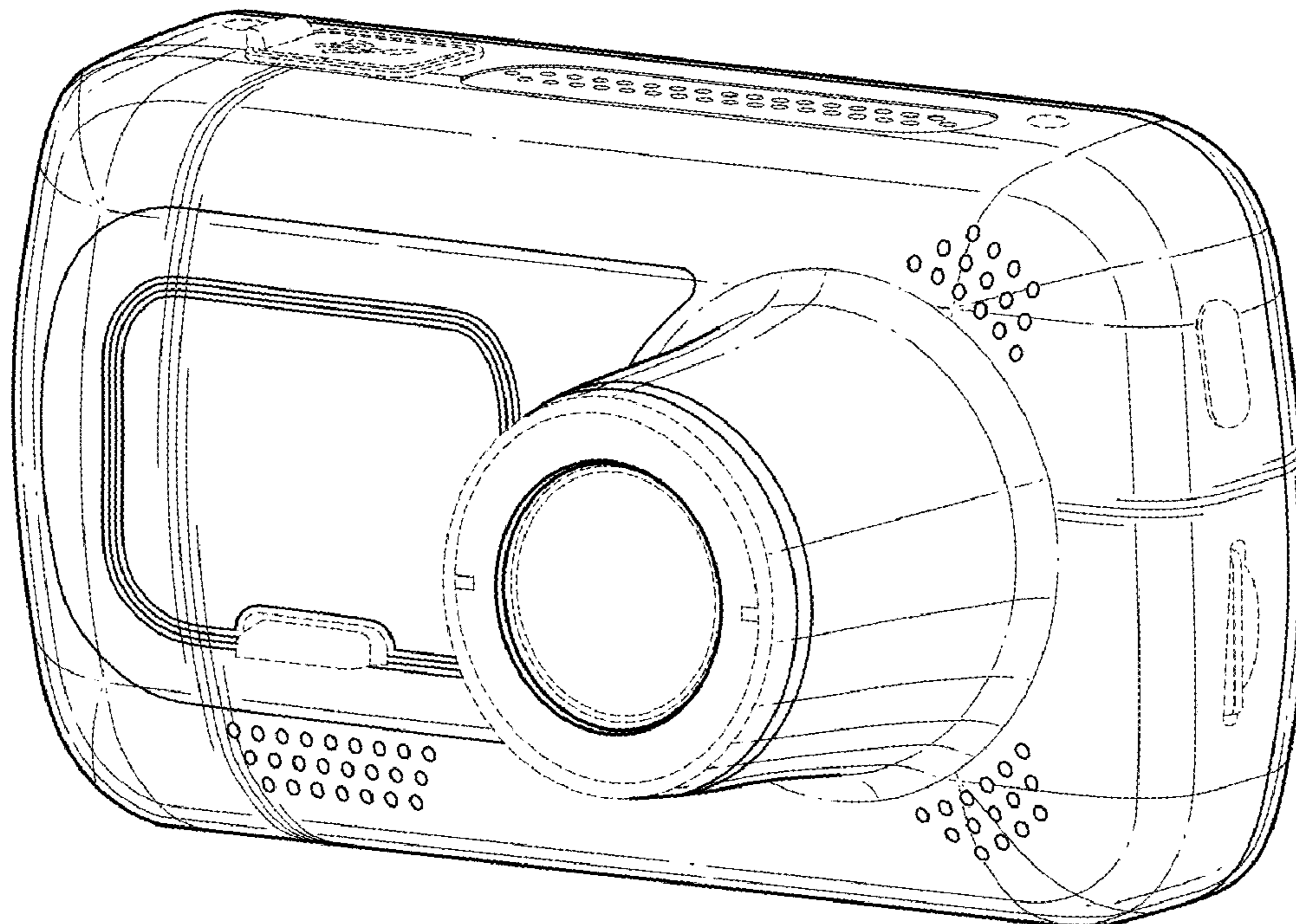
FIG. 1 is a front elevation view of a dash cam showing our new design;
FIG. 2 is a rear elevation view thereof;
FIG. 3 is a left side elevation view thereof;
FIG. 4 is a right side elevation view thereof;
FIG. 5 is a bottom plan view thereof;
FIG. 6 is a top plan view thereof; and,
FIG. 7 is a front and right side perspective view thereof.
The broken lines depict portions of the dash cam in which the design is embodied that form no part of the claimed design.

(56) **References Cited**

U.S. PATENT DOCUMENTS

D747,386 S *	1/2016	Li	D16/208
D772,966 S *	11/2016	Song	D16/200

1 Claim, 7 Drawing Sheets



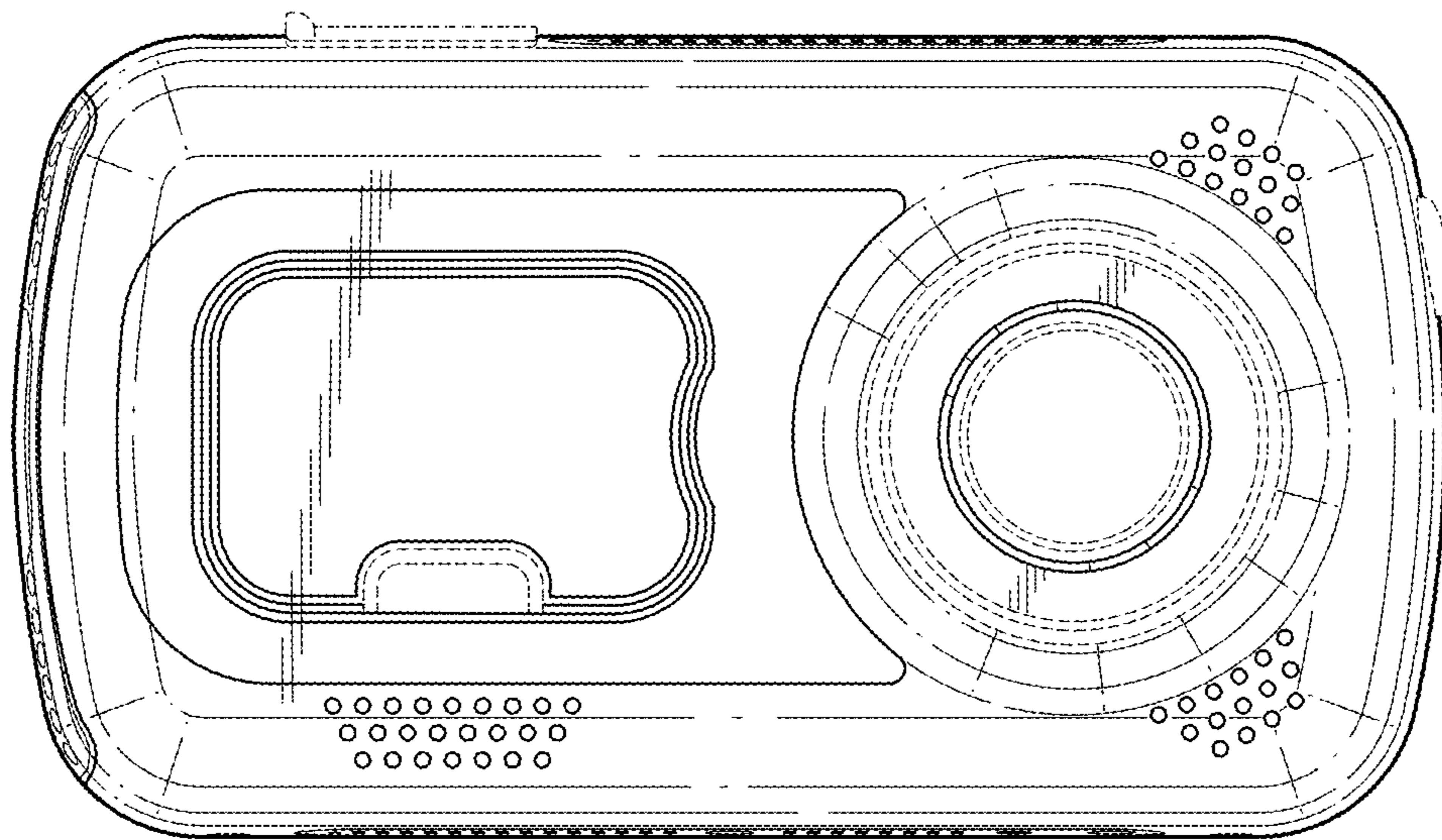


FIG. 1

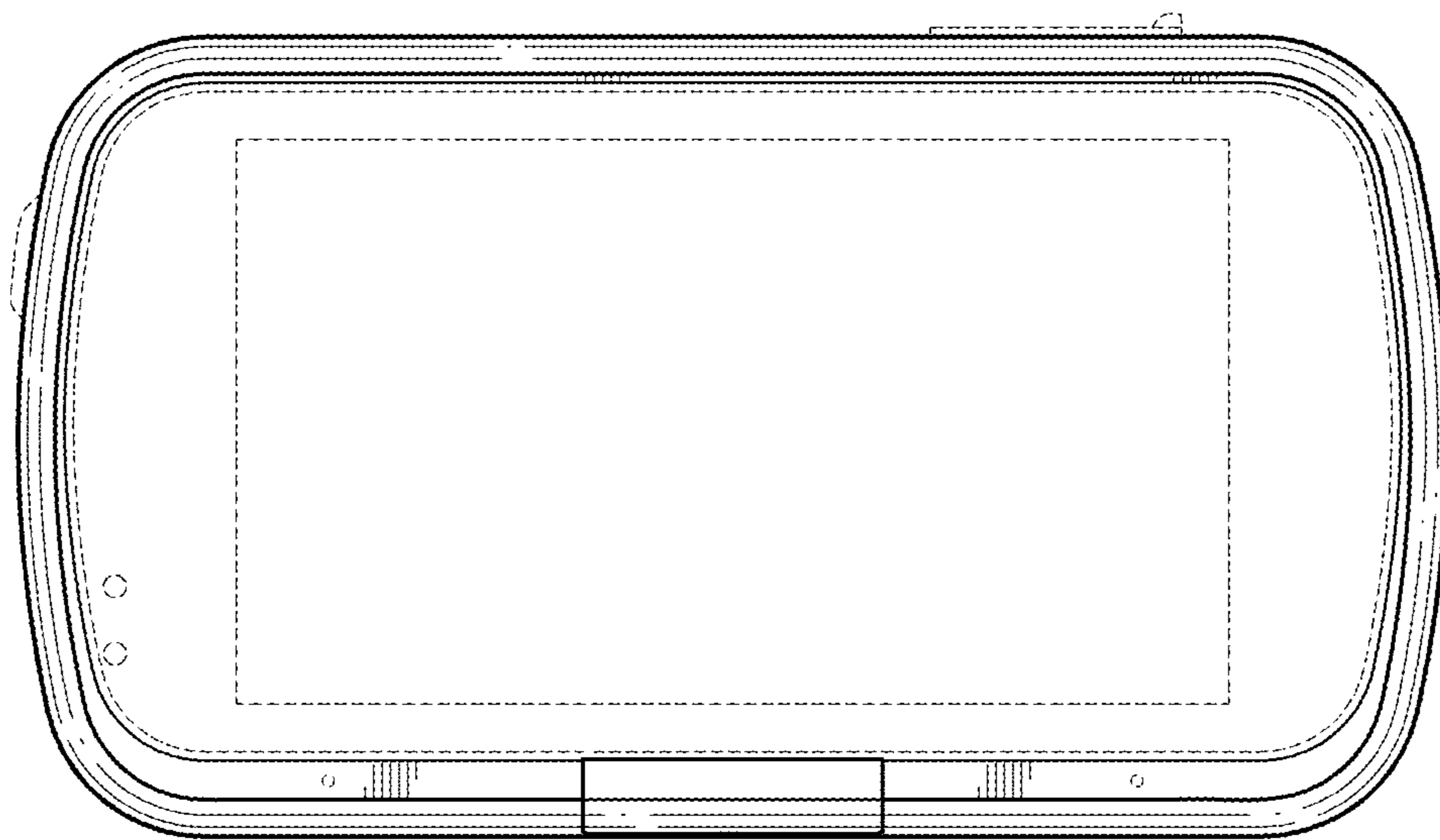


FIG. 2

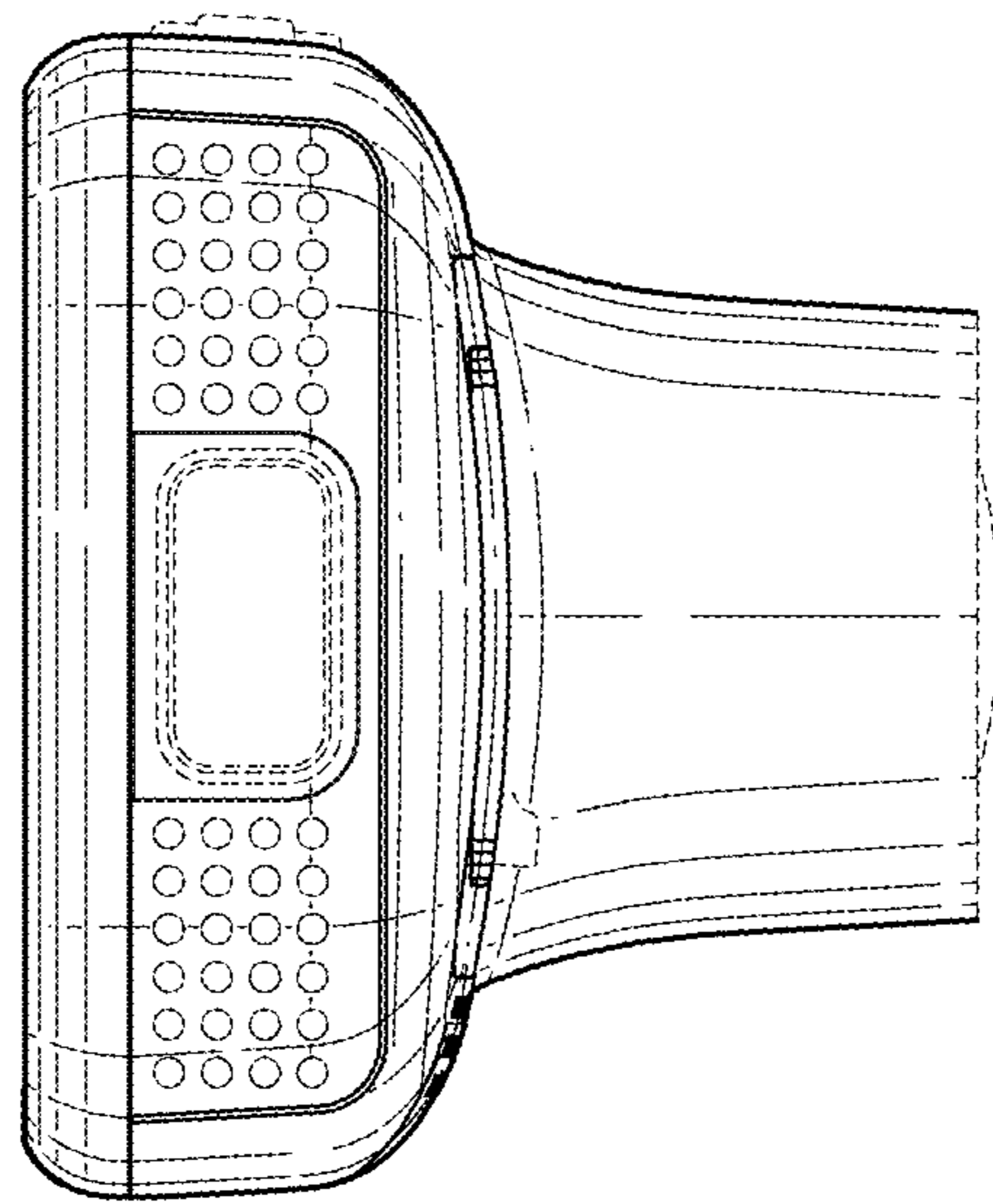


FIG. 3

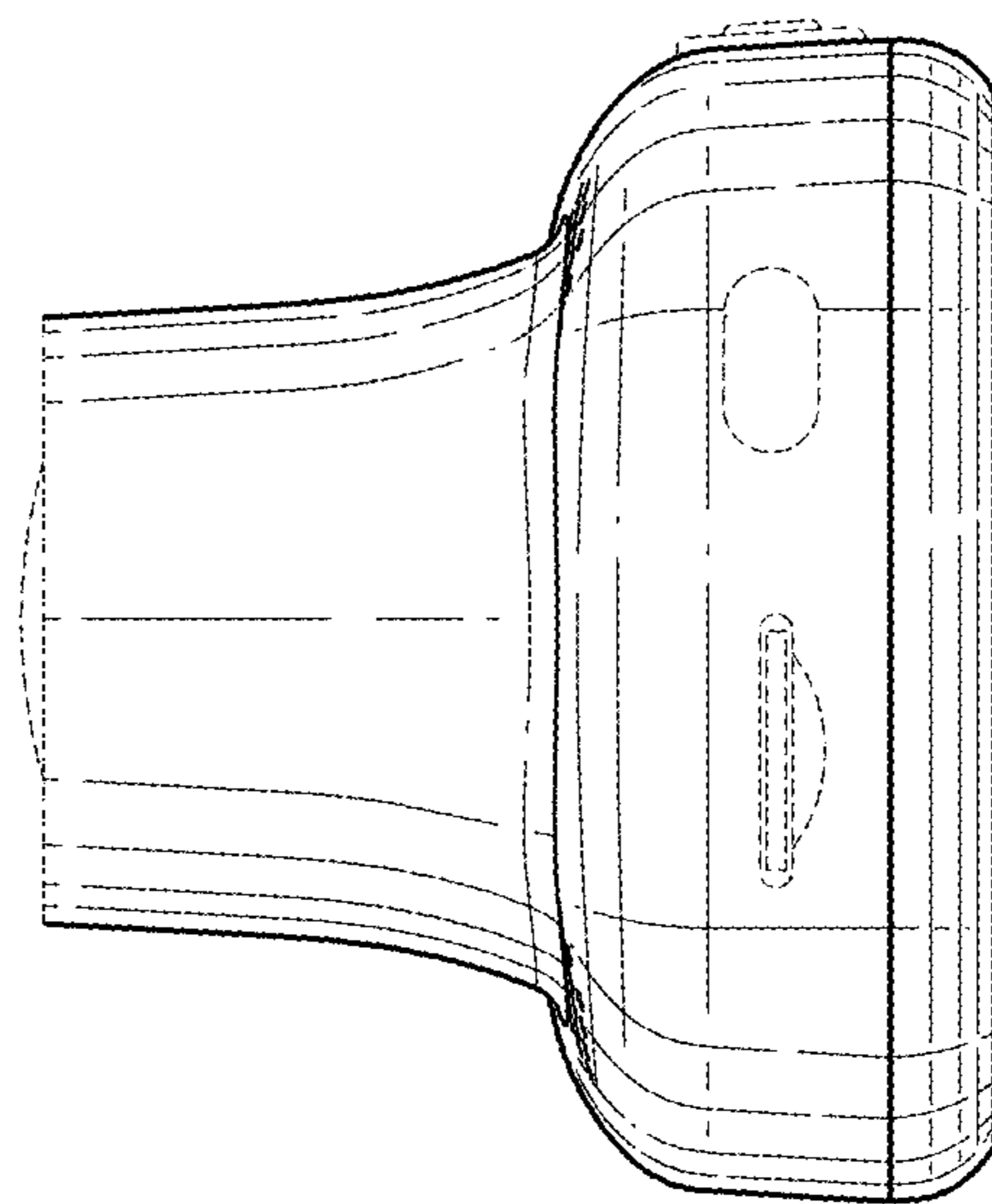


FIG. 4

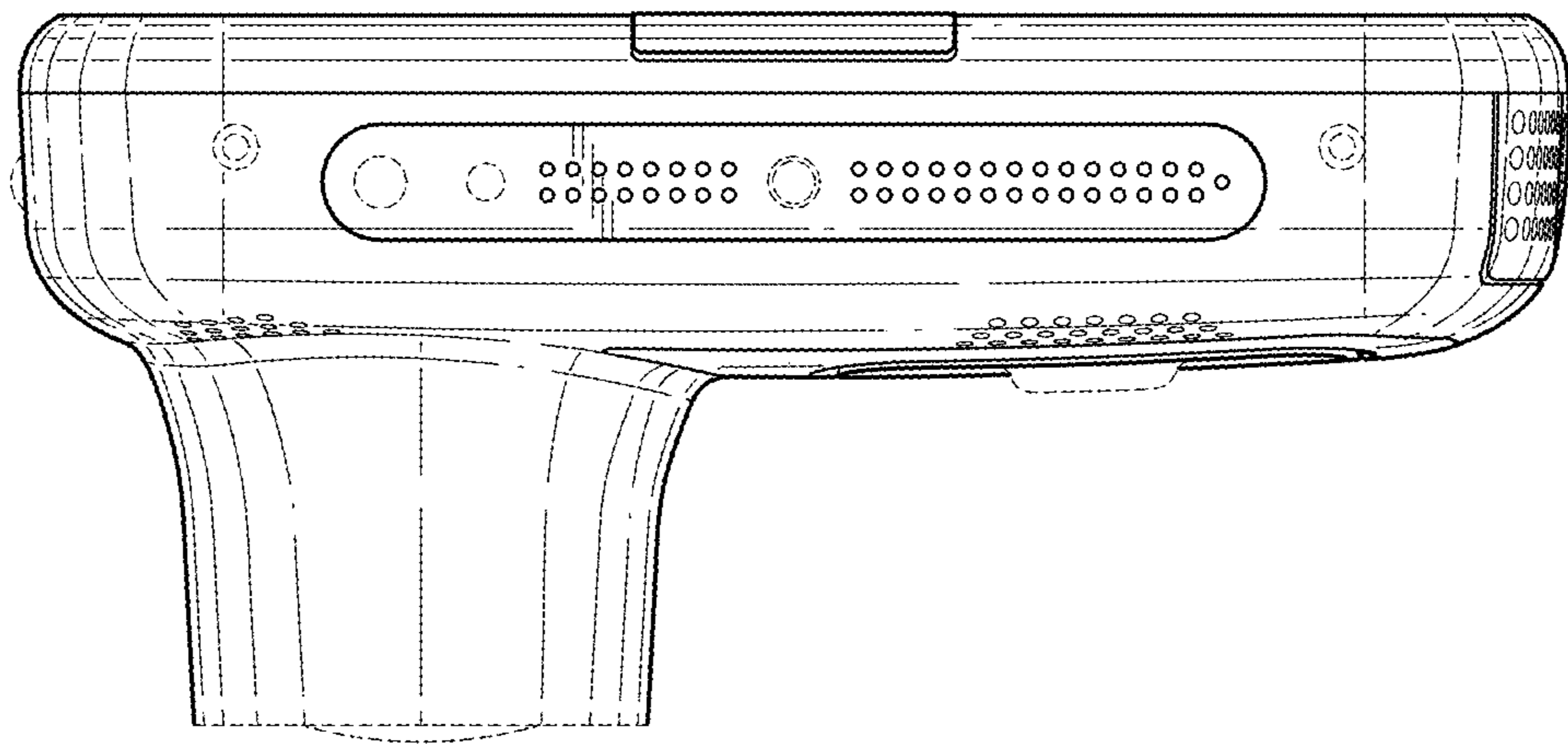


FIG. 5

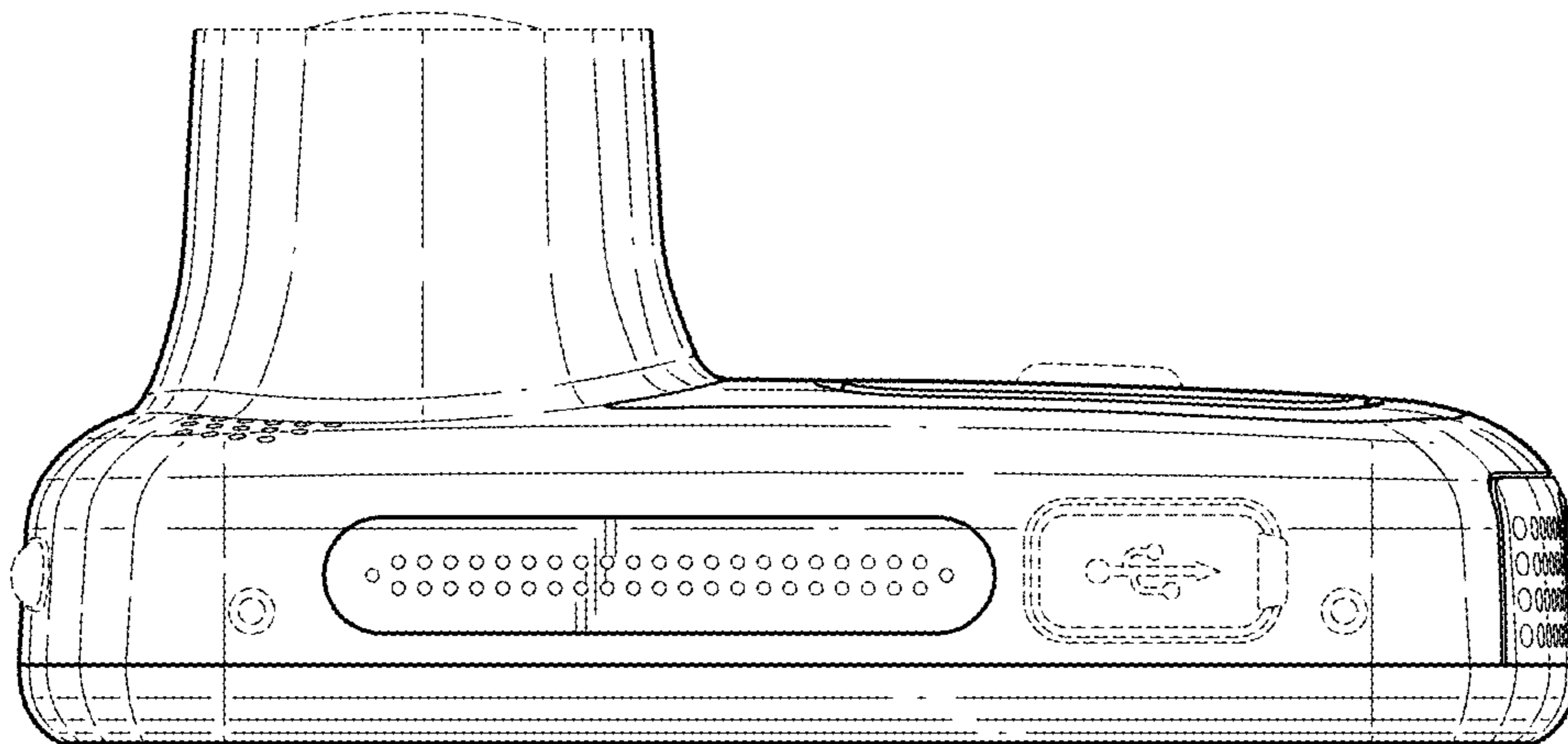


FIG. 6

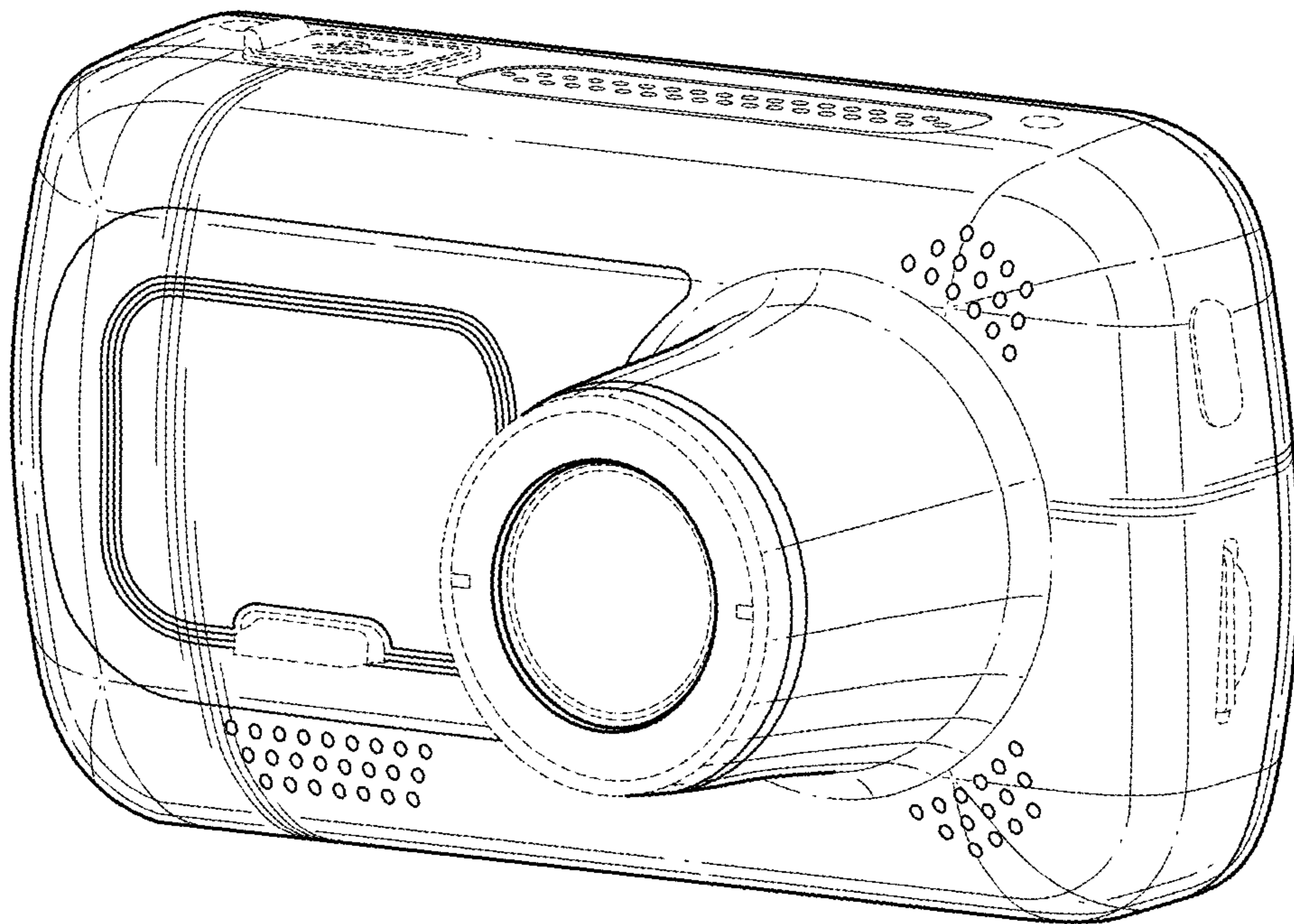


FIG. 7