



US00D908769S

(12) **United States Design Patent** (10) **Patent No.:** **US D908,769 S**
Grant et al. (45) **Date of Patent:** **** *Jan. 26, 2021**

- (54) **DASH CAM**
- (71) Applicant: **Portable Multimedia Limited**, West End (GB)
- (72) Inventors: **Robert Grant**, West End (GB); **Graham Lambert**, West End (GB); **Ceri Hill**, West End (GB)
- (73) Assignee: **PORTABLE MULTIMEDIA LIMITED**, Surrey (GB)
- (*) Notice: This patent is subject to a terminal disclaimer.
- (**) Term: **15 Years**
- (21) Appl. No.: **29/693,297**
- (22) Filed: **May 31, 2019**
- (51) **LOC (13) Cl.** **16-01**
- (52) **U.S. Cl.**
USPC **D16/208**; D16/218
- (58) **Field of Classification Search**
USPC D16/200, 212, 218, 219; 348/373-376; 396/448, 535, 539-541
CPC G03B 15/03; G03B 17/02; G03B 17/04; G03B 17/56; G03B 19/04; H04N 5/2251; H04N 5/2252; H04N 5/2253; H04N 5/2254; H04N 2101/00
See application file for complete search history.

D857,076 S *	8/2019	Gan	D16/202
D867,420 S *	11/2019	Zhang	D16/202
D868,725 S *	12/2019	Zhou	D14/167
D870,183 S *	12/2019	Tsukamoto	D16/218
D875,803 S *	2/2020	Yuan	D16/202
2013/0004152 A1*	1/2013	Imafuji	G03B 15/02 396/155

FOREIGN PATENT DOCUMENTS

GB 2570951 A 8/2019

OTHER PUBLICATIONS

www.tmdn.org, "CN 201630177694.6", dated May 13, 2016, 3 pages.

(Continued)

Primary Examiner — Ramzi S Almatrahi
(74) *Attorney, Agent, or Firm* — Hickman Palermo Becker Bingham LLP; Malgorzata A. Kulczycka

(57) **CLAIM**

The ornamental design for a dash cam, as shown and described.

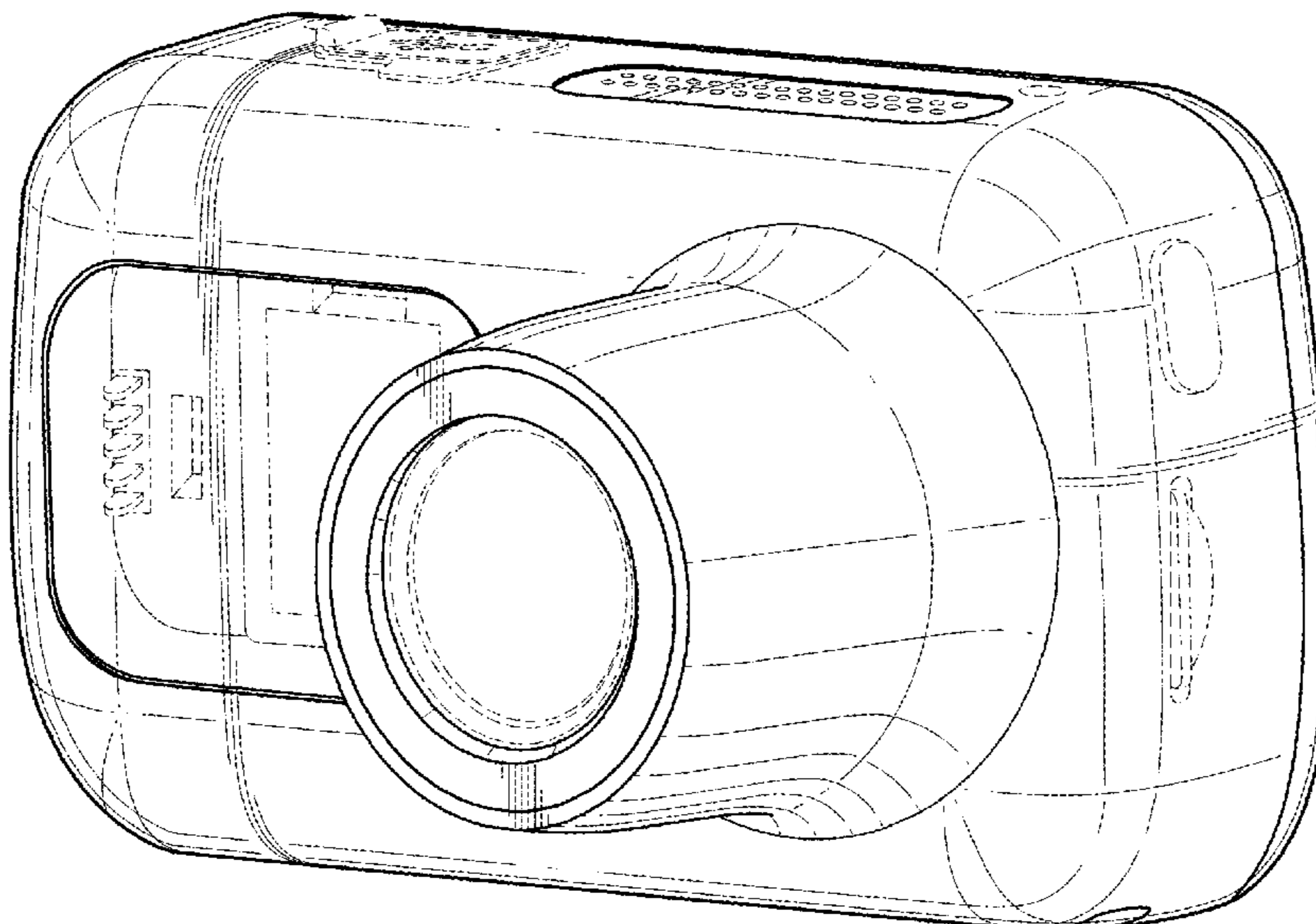
DESCRIPTION

FIG. 1 is a front elevation view of a dash cam showing our new design;
FIG. 2 is a rear elevation view thereof;
FIG. 3 is a left side elevation view thereof;
FIG. 4 is a right side elevation view thereof;
FIG. 5 is a bottom plan view thereof;
FIG. 6 is a top plan view thereof; and,
FIG. 7 is an enlarged scale front and right side perspective view thereof.
The broken lines depict portions of the dash cam in which the design is embodied that form no part of the claimed design.

1 Claim, 7 Drawing Sheets

(56) **References Cited**
U.S. PATENT DOCUMENTS

D747,386 S *	1/2016	Li	D16/208
D772,966 S *	11/2016	Song	D16/200
D848,508 S *	5/2019	Hsu	D16/218
D849,084 S *	5/2019	Hu	D16/202
D849,817 S *	5/2019	Wang	D16/218
D852,255 S *	6/2019	Guo	D16/202
D854,597 S *	7/2019	Gao	D16/202



(56)

References Cited

OTHER PUBLICATIONS

WIPO Global Design Database, “European Designs 002837930-0001—Recorders”, <https://www3.wipo.int/designdb/en/index.jsp#>, last viewed on Oct. 18, 2019, 3 pages.

WIPO Global Design Database, “Dashboard Cameras”, 005231636-0006, <https://www3.wipo.int/designdb/en/index.jsp#>, last viewed on Oct. 18, 2019, 3 pages.

WIPO Global Design Database, “Dashboard Cameras”, 005231636-0003, <https://www3.wipo.int/designdb/en/index.jsp#> last viewed on Oct. 18, 2019, 3 pages.

WIPO Global Design Database, “Dashboard Cameras”, 005231636-0002, <https://www3.wipo.int/designdb/en/index.jsp#>, last viewed on Oct. 18, 2019, 3 pages.

WIPO Global Database, “European Designs 002837914-0001”, <https://www3.wipo.int/designdb/en/index.jsp#>, last viewed on Oct. 18, 2019, 3 pages.

Gov.UK, “Design No. 6002431”, Registration date Nov. 2, 2016, <https://www.registered-design.service.gov.uk/find/6002431>, last viewed on Oct. 18, 2019, 2 pages.

Design View, “Design CN 201530405546.0”, dated Oct. 20, 2015, 4 pages.

Design View, “Design CN 201530405545.6”, dated Oct. 20, 2015, 4 pages.

Design View, “CN 201630203541.4”, dated May 26, 2016, 4 pages.

Grant, U.S. Appl. No. 29/693,282, filed May 31, 2019, Office Action.

* cited by examiner

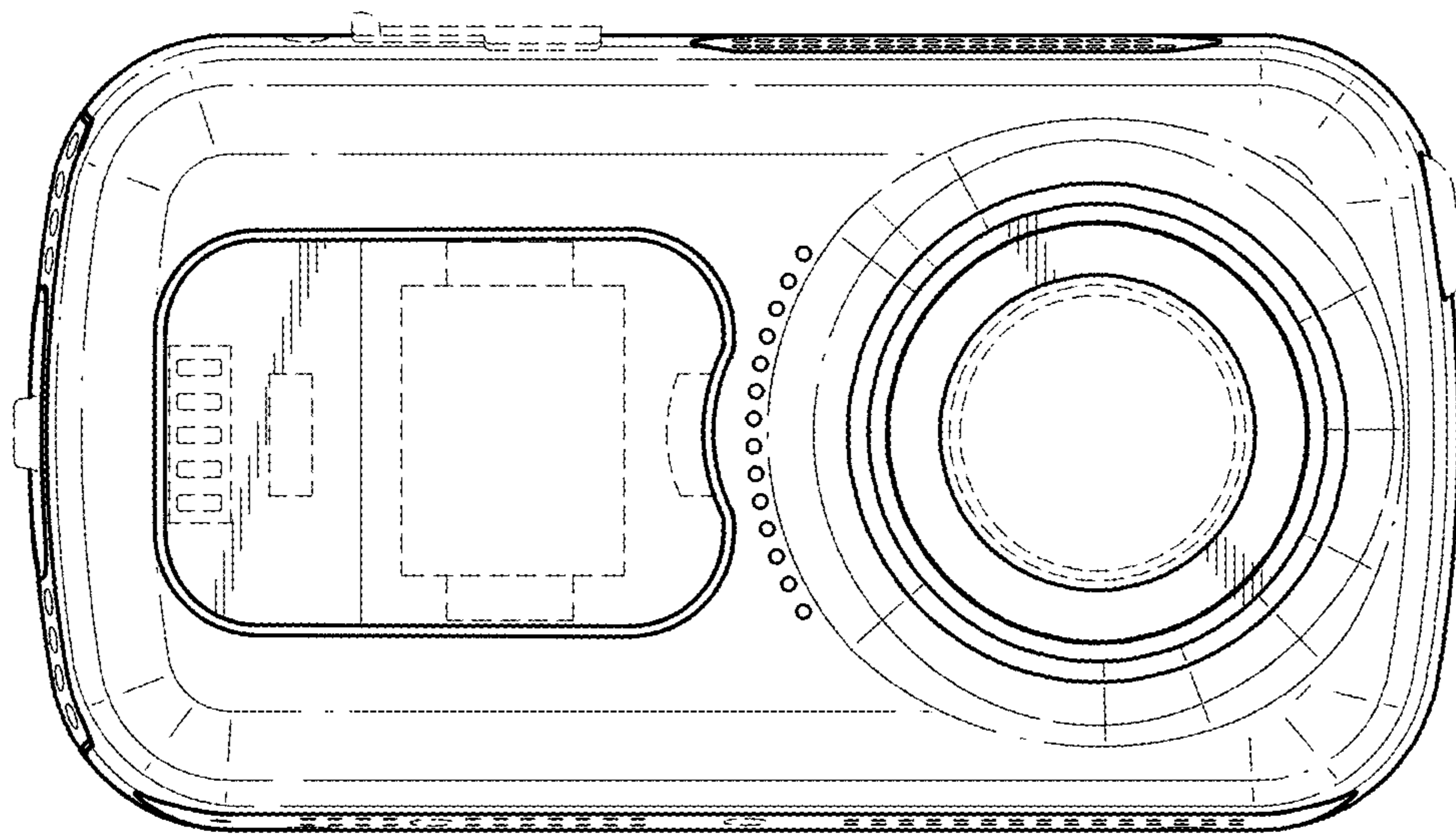


FIG. 1

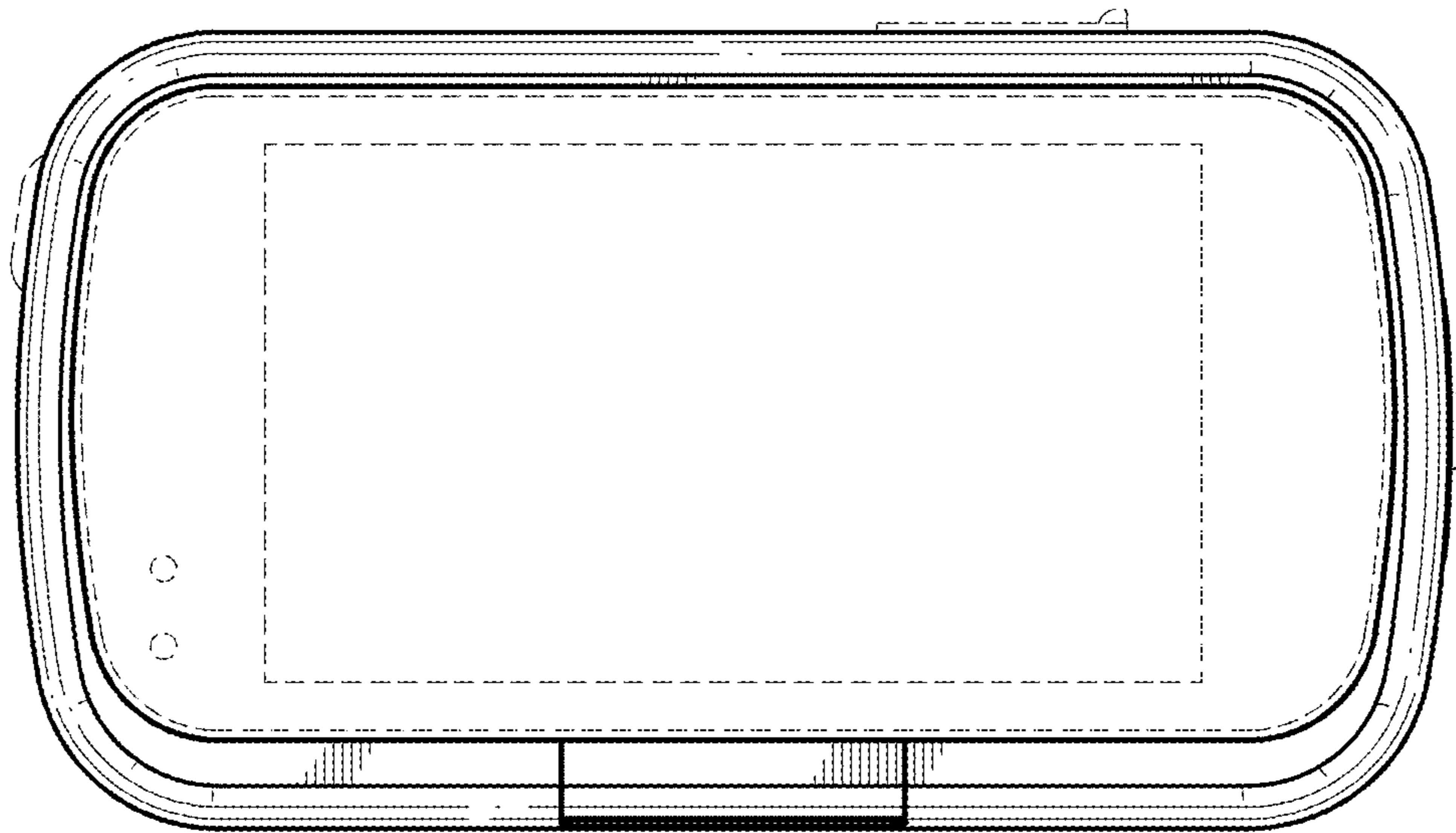


FIG. 2

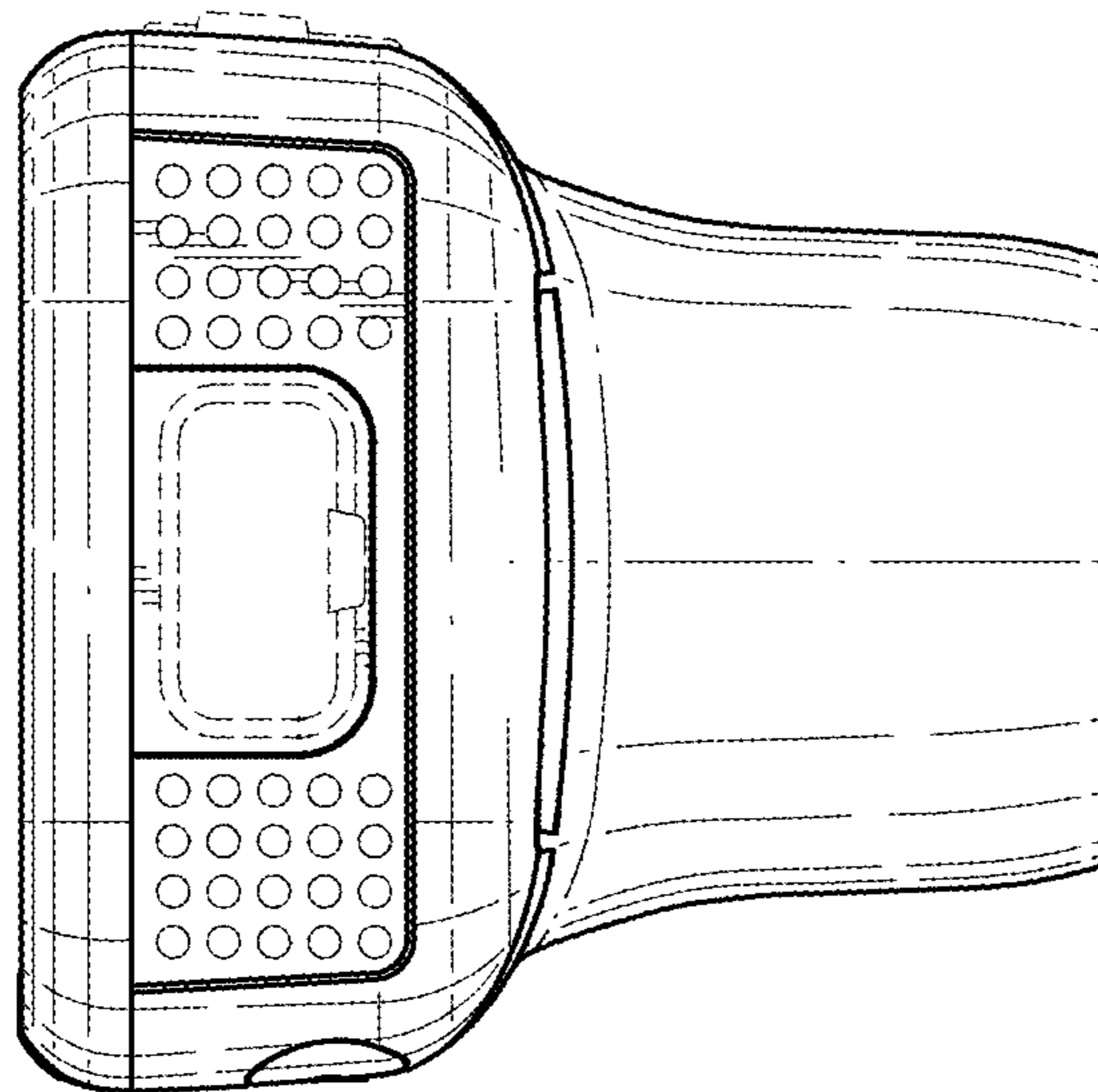


FIG. 3

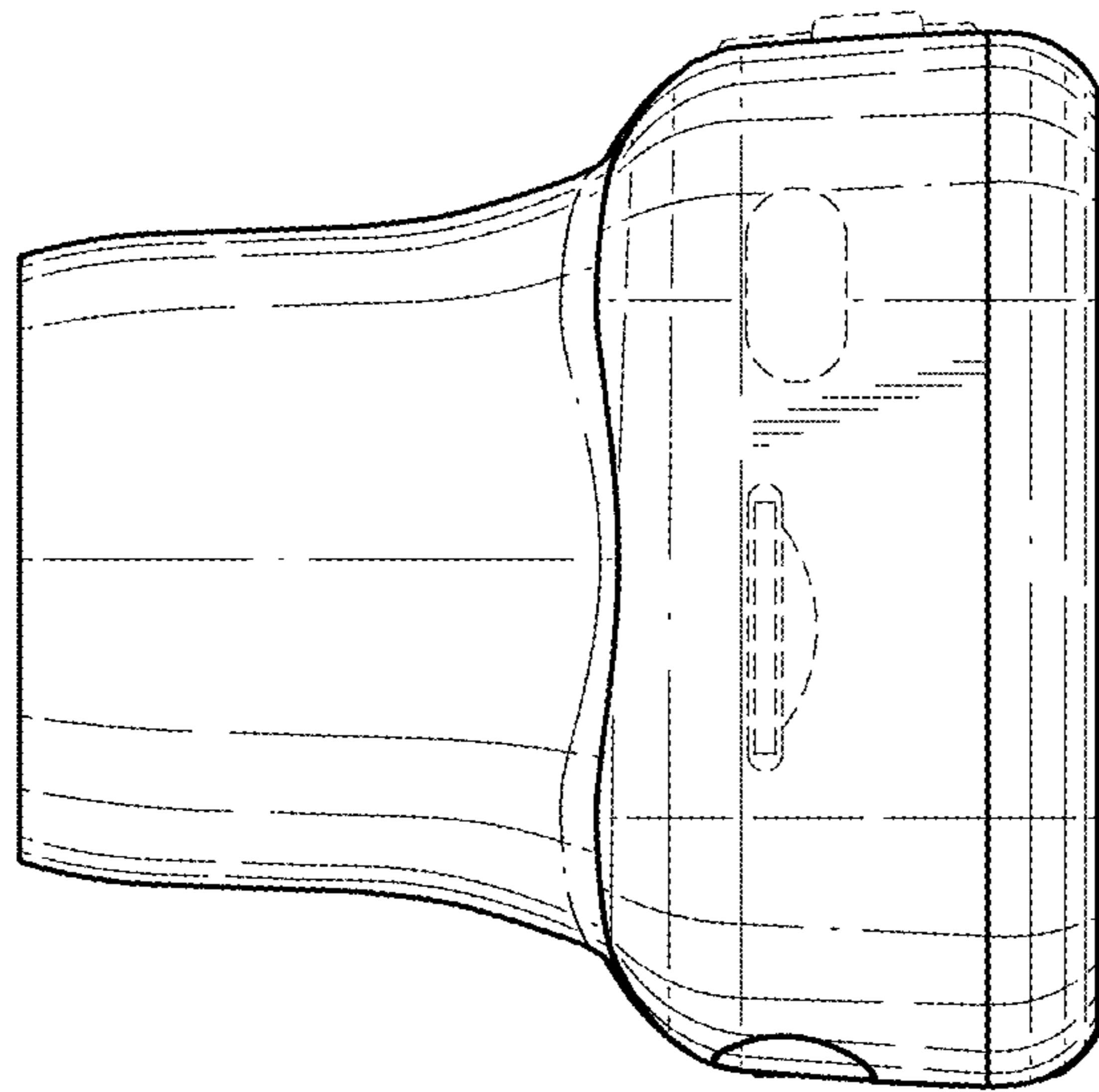


FIG. 4

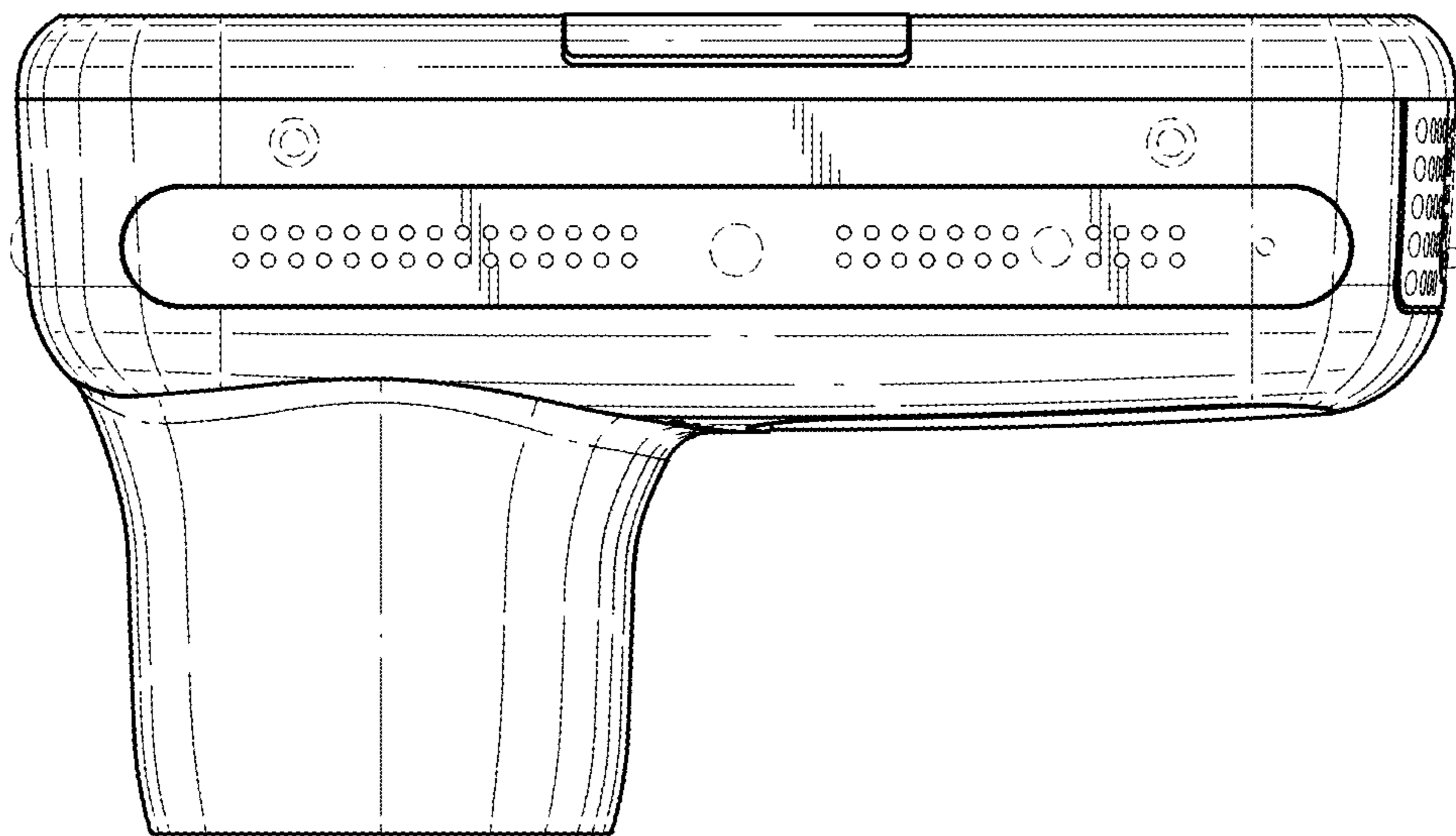


FIG. 5

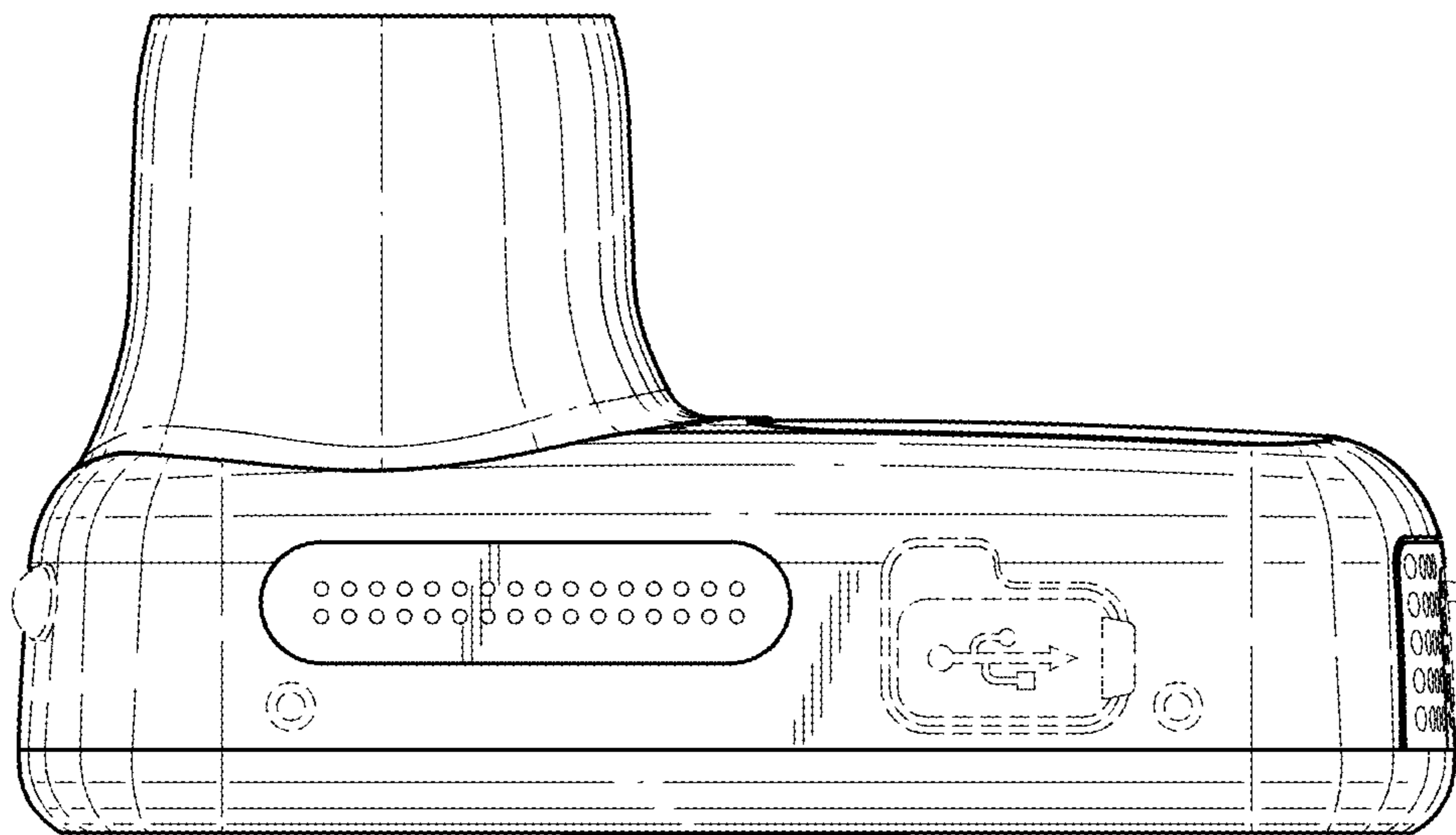


FIG. 6

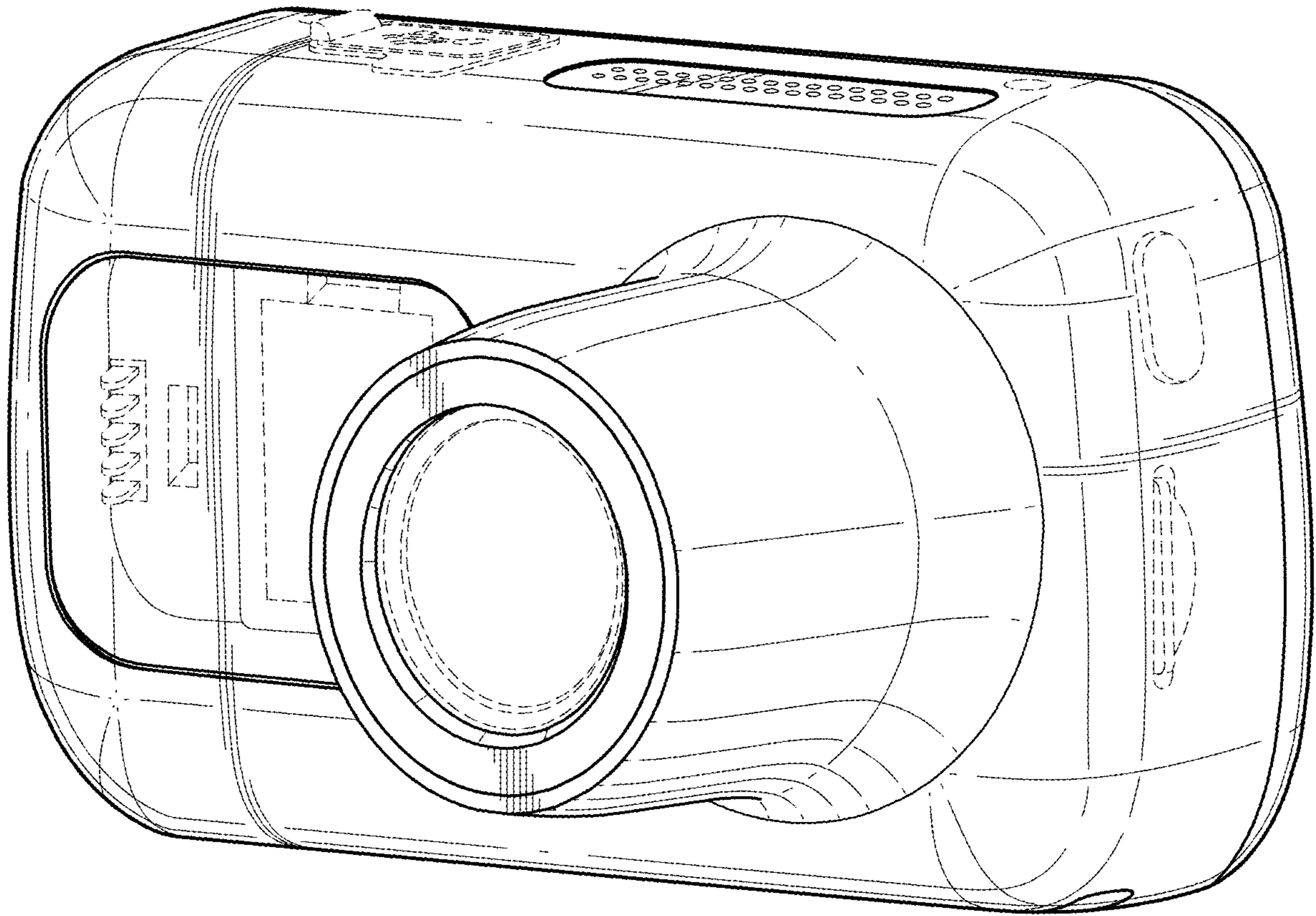


FIG. 7