



US00D908763S

(12) **United States Design Patent** (10) **Patent No.:** **US D908,763 S**  
**Grant et al.** (45) **Date of Patent:** **\*\* \*Jan. 26, 2021**

(54) **REAR FACING CAMERA** D480,741 S \* 10/2003 Berger ..... D16/202  
6,718,129 B1 \* 4/2004 Cornell ..... G03B 17/02  
396/176  
(71) Applicant: **Portable Multimedia Limited**, West End (GB) D594,047 S \* 6/2009 Lee ..... D16/202  
D692,042 S \* 10/2013 Dawes ..... D16/203  
D755,274 S \* 5/2016 Lee ..... D16/218  
(72) Inventors: **Robert Grant**, West End (GB); D764,559 S \* 8/2016 Luo ..... D16/202  
**Graham Lambert**, West End (GB); D791,211 S \* 7/2017 Fujita ..... D16/219  
**Ceri Hill**, West End (GB) D814,543 S \* 4/2018 Oshima ..... D16/202  
D849,108 S \* 5/2019 Huang ..... D16/218  
(73) Assignee: **PORTABLE MULTIMEDIA LIMITED**, Surrey (GB) D874,542 S \* 2/2020 Edwards ..... D16/218  
2014/0160349 A1 \* 6/2014 Huang ..... H04N 5/2252  
348/375

(\* ) Notice: This patent is subject to a terminal disclaimer.

\* cited by examiner

(\*\*) Term: **15 Years**

*Primary Examiner* — Ramzi S Almatrahi  
(74) *Attorney, Agent, or Firm* — Hickman Palermo  
Becker Bingham LLP; Malgorzata A. Kulczycka

(21) Appl. No.: **29/693,319**

(22) Filed: **May 31, 2019**

(30) **Foreign Application Priority Data**

Jan. 7, 2019 (GB) ..... 6051322

(51) **LOC (13) Cl.** ..... **16-01**

(52) **U.S. Cl.**  
USPC ..... **D16/202**

(58) **Field of Classification Search**  
USPC ..... D16/200, 202–210, 212, 218, 219;  
348/373–376; 396/448, 535, 539–541  
CPC ..... G03B 15/03; G03B 17/02; G03B 17/04;  
G03B 17/56; G03B 19/04; H04N 5/2251;  
H04N 5/2252; H04N 5/2253; H04N  
5/2254; H04N 2101/00  
See application file for complete search history.

(56) **References Cited**

**U.S. PATENT DOCUMENTS**

D455,768 S \* 4/2002 Tsang ..... D16/202  
D465,504 S \* 11/2002 Van Klinken ..... D16/203

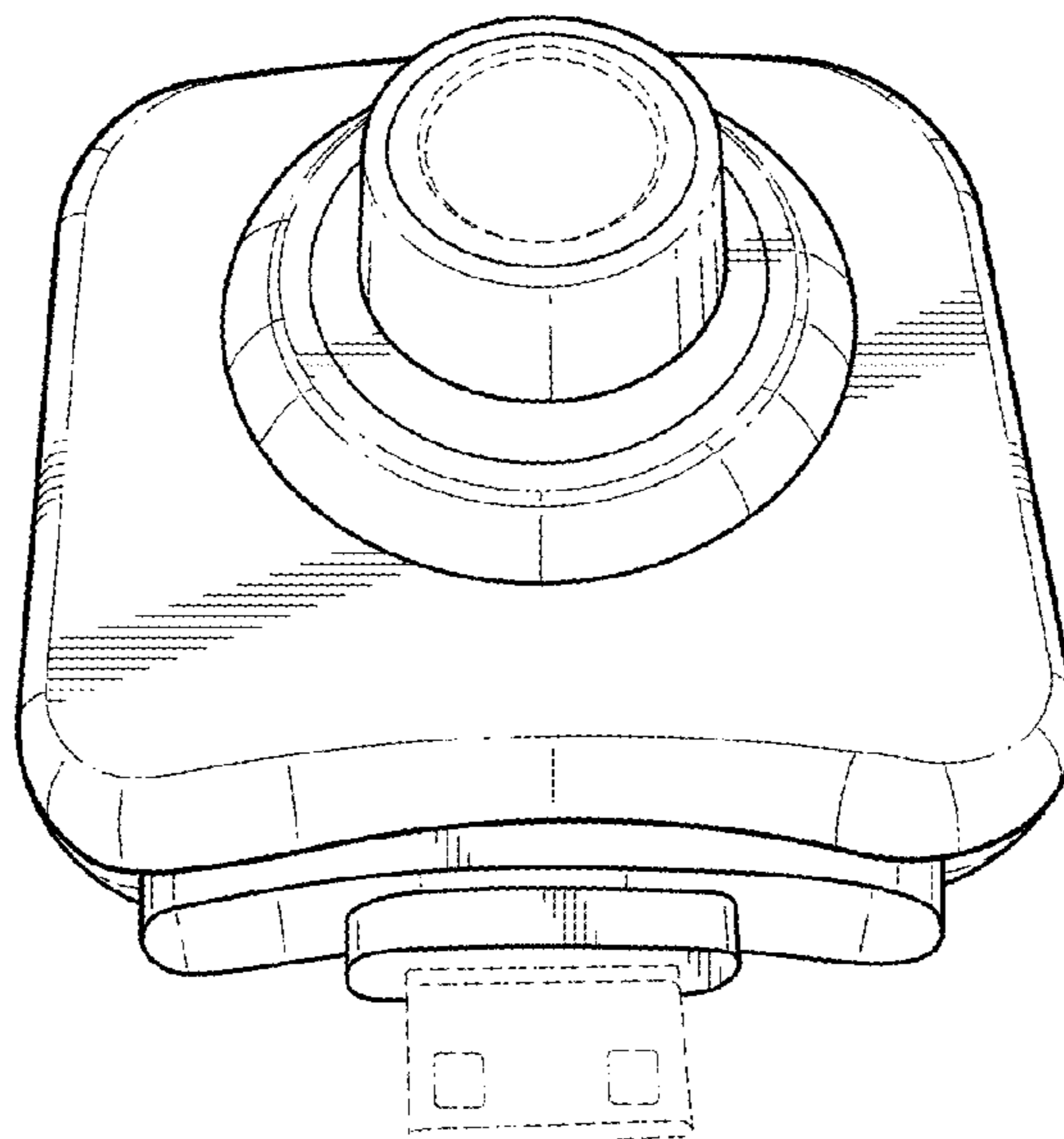
(57) **CLAIM**

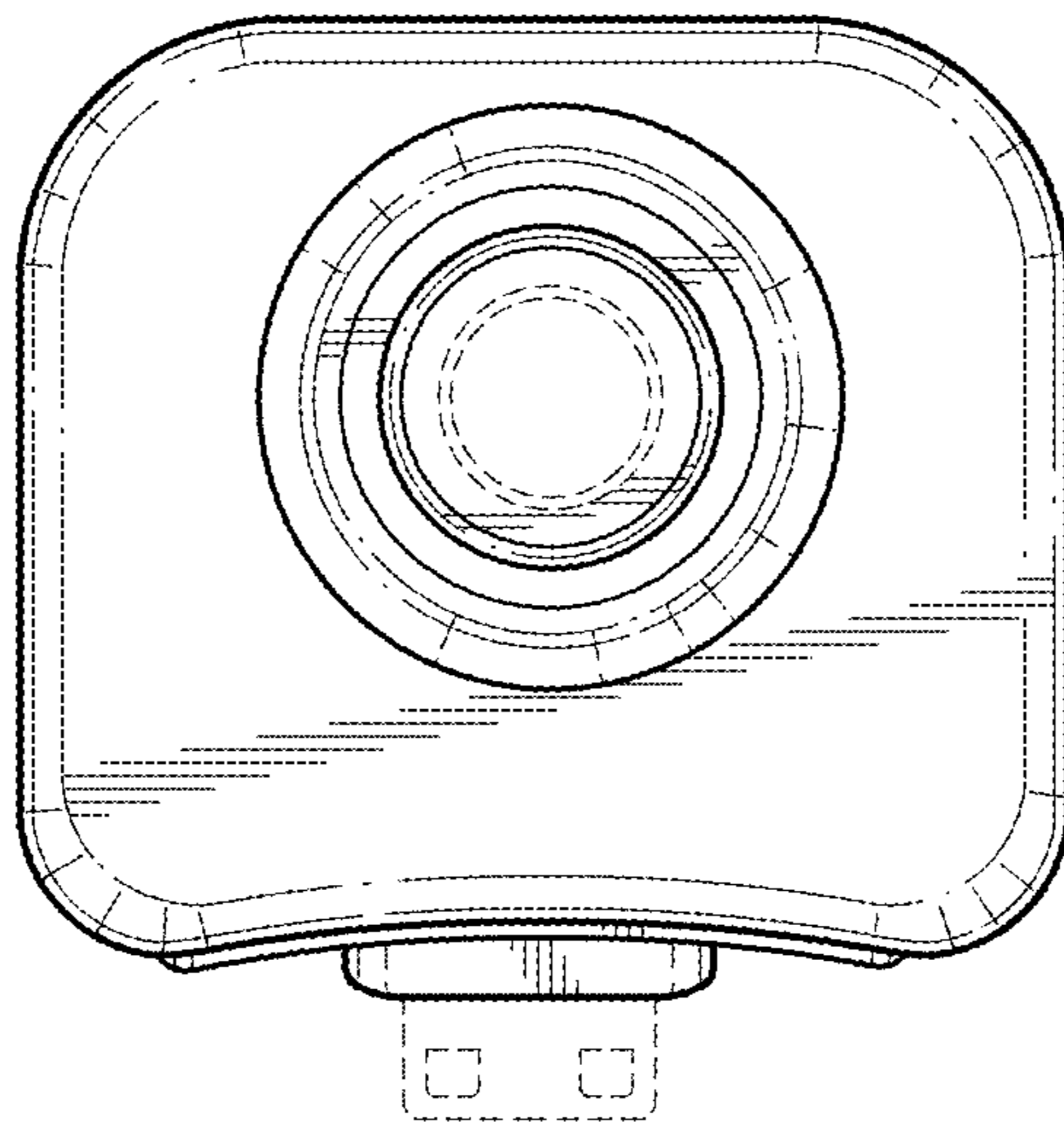
The ornamental design for a rear facing camera, as shown and described.

**DESCRIPTION**

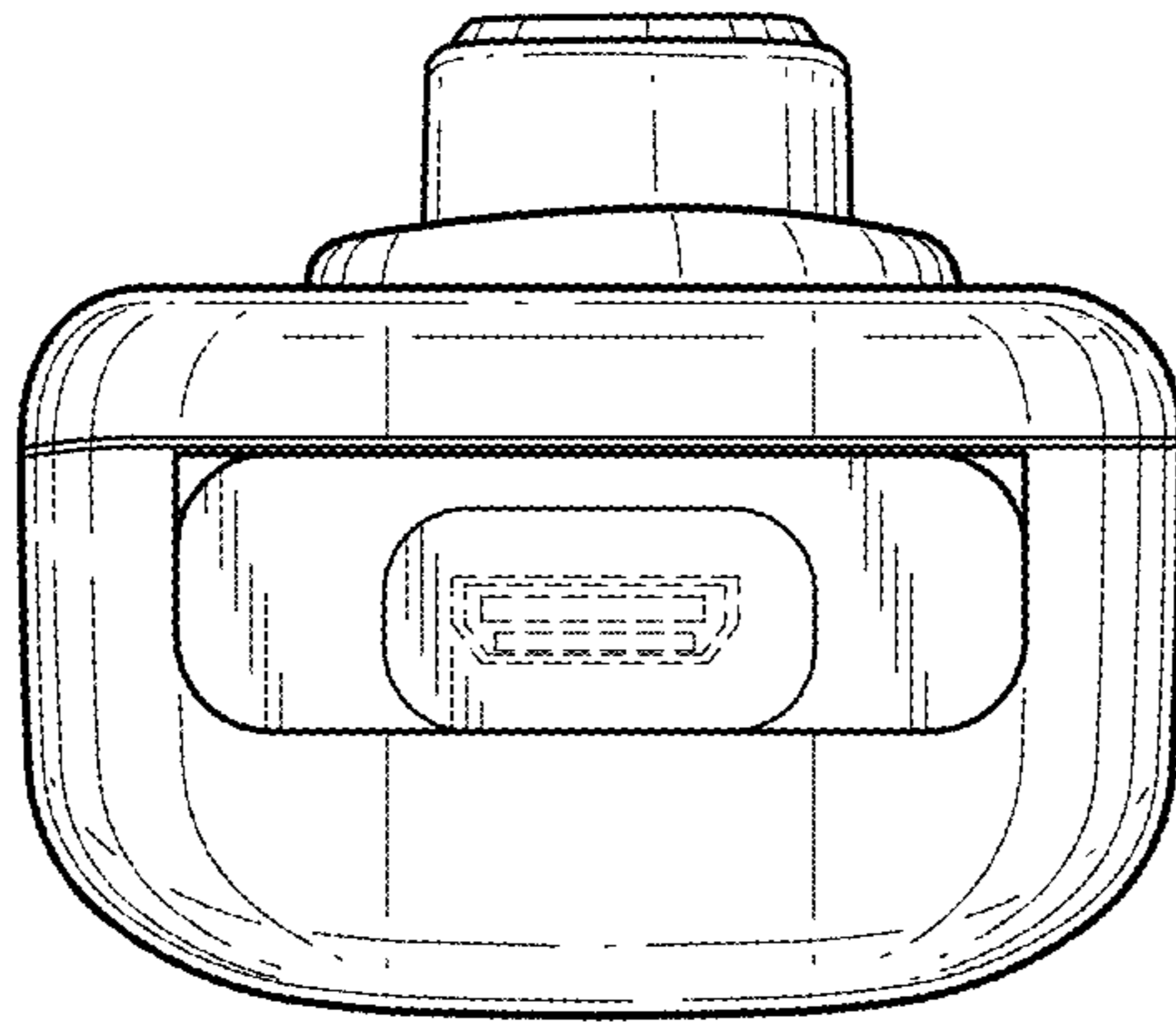
FIG. 1 is a front elevation view of a rear facing camera showing our new design;  
FIG. 2 is a bottom plan view thereof;  
FIG. 3 is a rear elevation view thereof;  
FIG. 4 is a top plan view thereof;  
FIG. 5 is a left side elevation view thereof;  
FIG. 6 is a right side elevation view thereof; and,  
FIG. 7 is a bottom and front perspective view thereof.  
The broken lines depict portions of the rear facing camera in which the design is embodied that form no part of the claimed design.

**1 Claim, 7 Drawing Sheets**

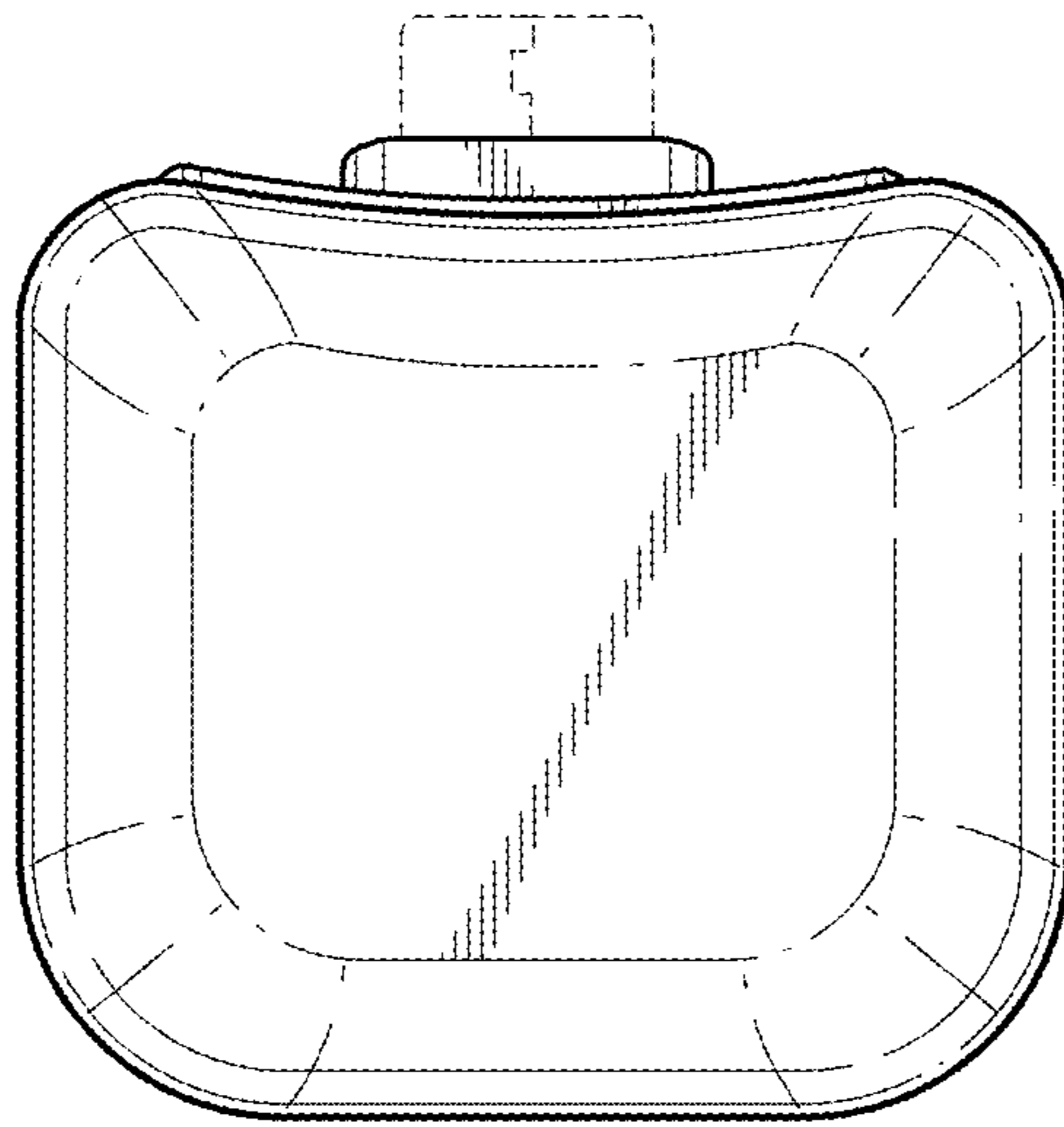




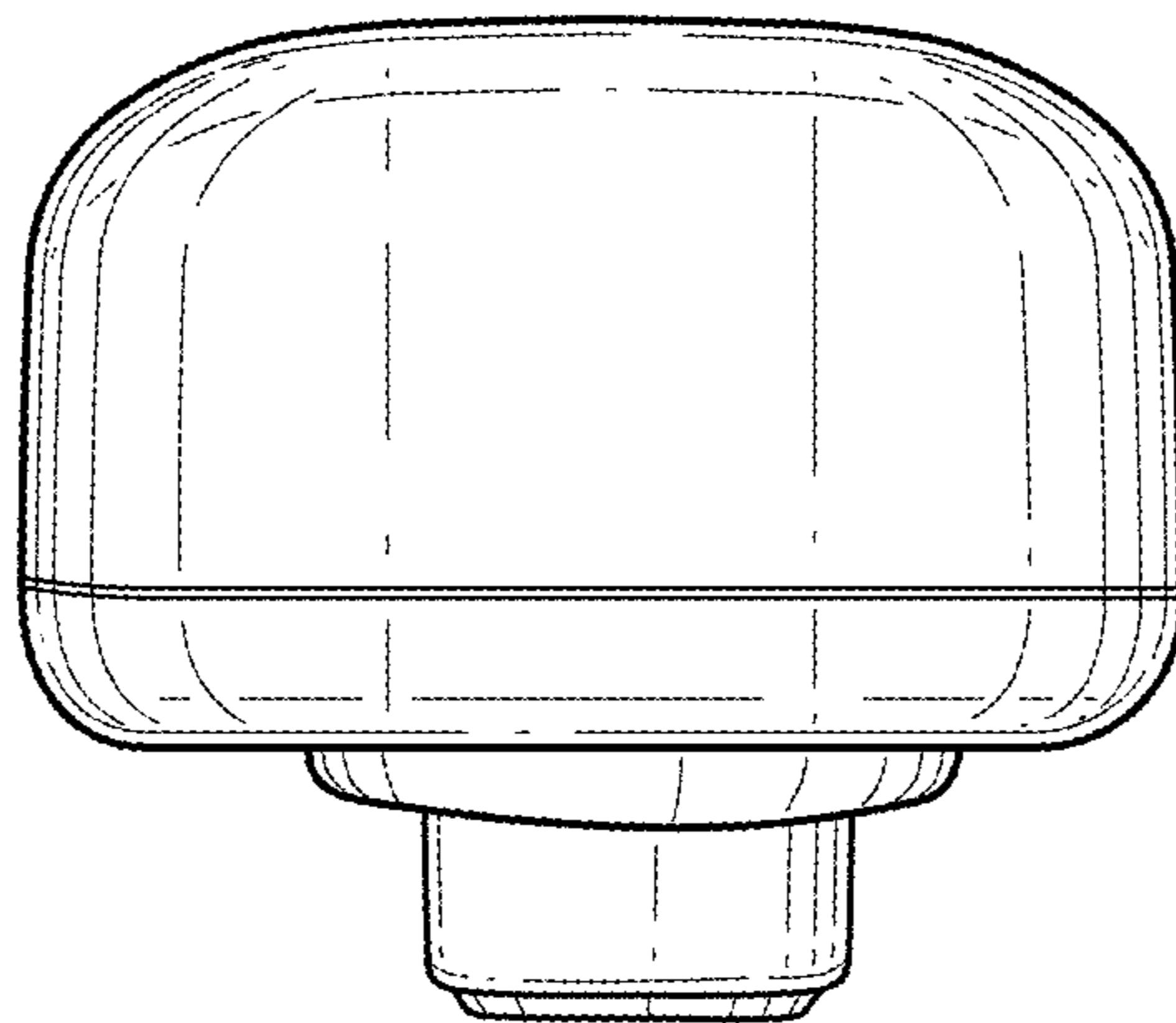
**FIG. 1**



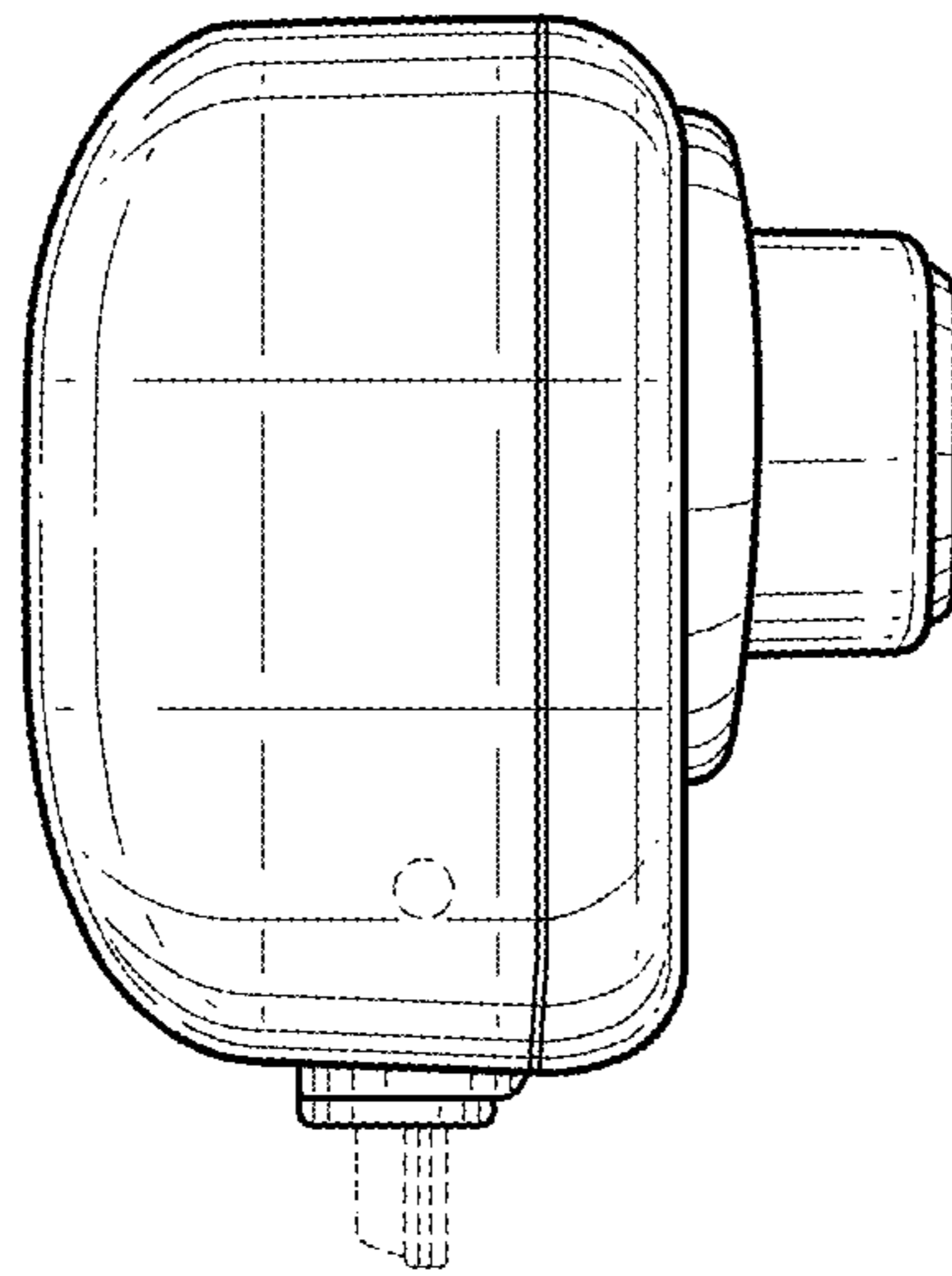
**FIG. 2**



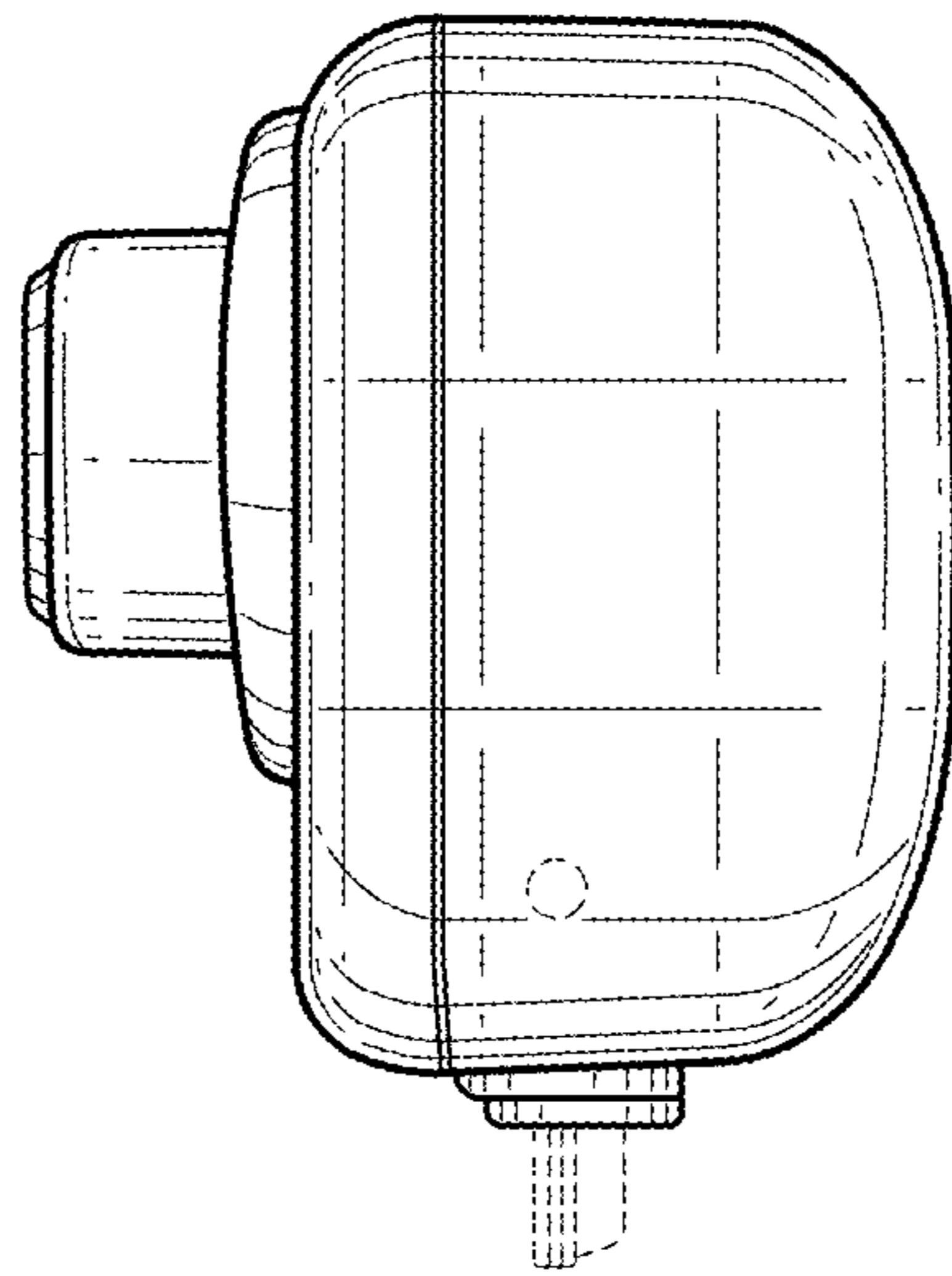
**FIG. 3**



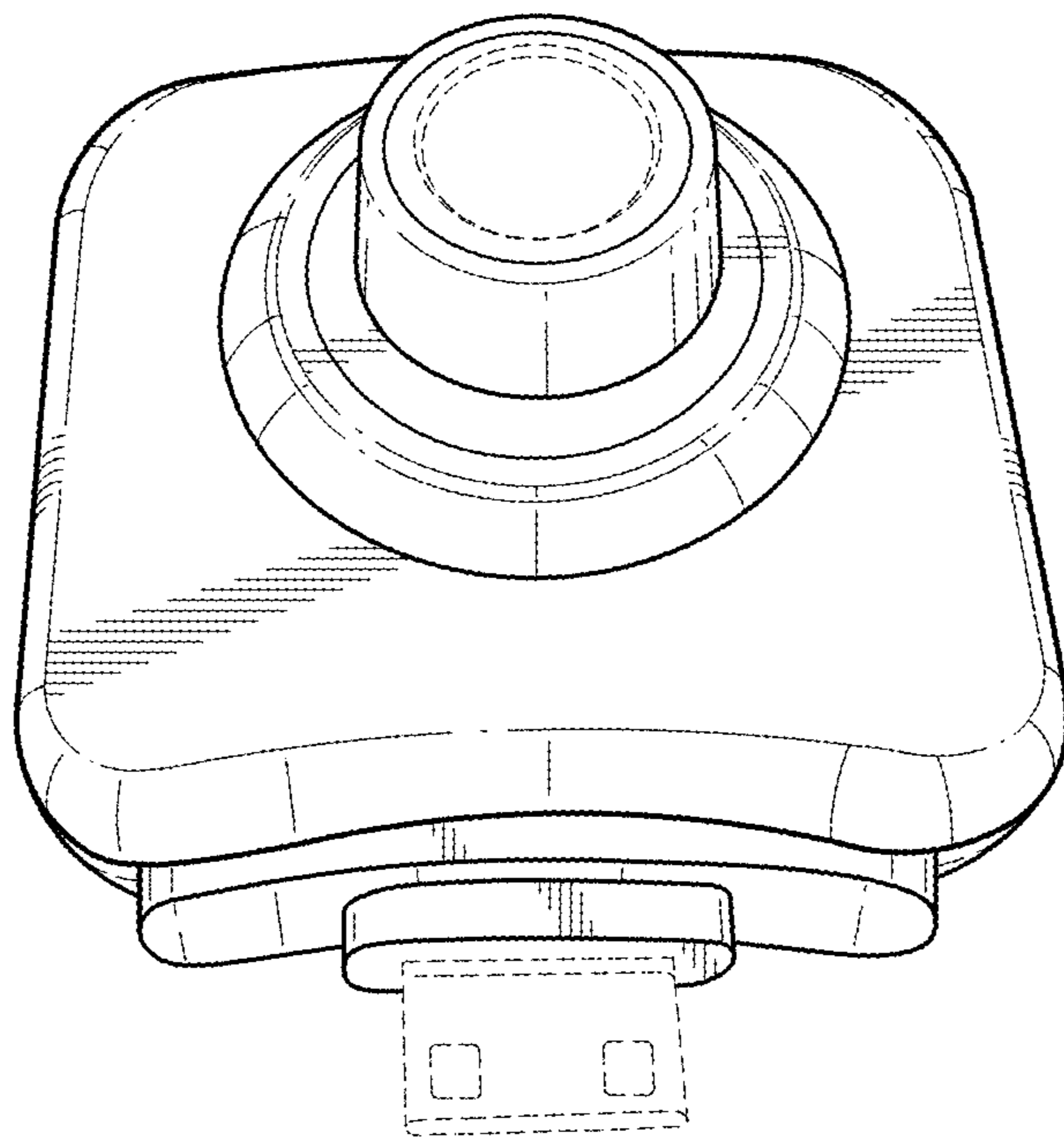
**FIG. 4**



**FIG. 5**



**FIG. 6**



**FIG. 7**