



US00D908762S

(12) **United States Design Patent**  
**Grant et al.**

(10) **Patent No.:** **US D908,762 S**

(45) **Date of Patent:** **\*\* \*Jan. 26, 2021**

(54) **REAR FACING CAMERA ZOOM**

(71) Applicant: **Portable Multimedia Limited**, Woking (GB)

(72) Inventors: **Robert Grant**, West End (GB);  
**Graham Lambert**, West End (GB);  
**Ceri Hill**, West End (GB)

(73) Assignee: **PORTABLE MULTIMEDIA LIMITED**, Surrey (GB)

D480,741 S *	10/2003	Berger	.....	D16/202
6,718,129 B1 *	4/2004	Cornell	.....	G03B 17/02
				396/176
D594,047 S *	6/2009	Lee	.....	D16/202
D692,042 S *	10/2013	Dawes	.....	D16/203
D755,274 S *	5/2016	Lee	.....	D16/218
D764,559 S *	8/2016	Luo	.....	D16/202
D791,211 S *	7/2017	Fujita	.....	D16/219
D814,543 S *	4/2018	Oshima	.....	D16/202
D849,108 S *	5/2019	Huang	.....	D16/218
D874,542 S *	2/2020	Edwards	.....	D16/218
2014/0160349 A1 *	6/2014	Huang	.....	H04N 5/2252
				348/375

(\*) Notice: This patent is subject to a terminal disclaimer.

\* cited by examiner

(\*\*) Term: **15 Years**

*Primary Examiner* — Ramzi S Almatrahi  
(74) *Attorney, Agent, or Firm* — Hickman Palermo  
Becker Bingham LLP; Malgorzata A. Kulczycka

(21) Appl. No.: **29/693,318**

(22) Filed: **May 31, 2019**

(30) **Foreign Application Priority Data**

Jan. 7, 2019 (GB) ..... 6051325

(51) **LOC (13) Cl.** ..... **16-01**

(52) **U.S. Cl.**  
USPC ..... **D16/202**

(58) **Field of Classification Search**  
USPC ..... D16/200, 202–210, 212, 218, 219;  
348/373–376; 396/448, 535, 539–541  
CPC ..... G03B 15/03; G03B 17/02; G03B 17/04;  
G03B 17/56; G03B 19/04; H04N 5/2251;  
H04N 5/2252; H04N 5/2253; H04N  
5/2254; H04N 2101/00  
See application file for complete search history.

(56) **References Cited**

**U.S. PATENT DOCUMENTS**

D455,768 S \* 4/2002 Tsang ..... D16/202  
D465,504 S \* 11/2002 Van Klinken ..... D16/203

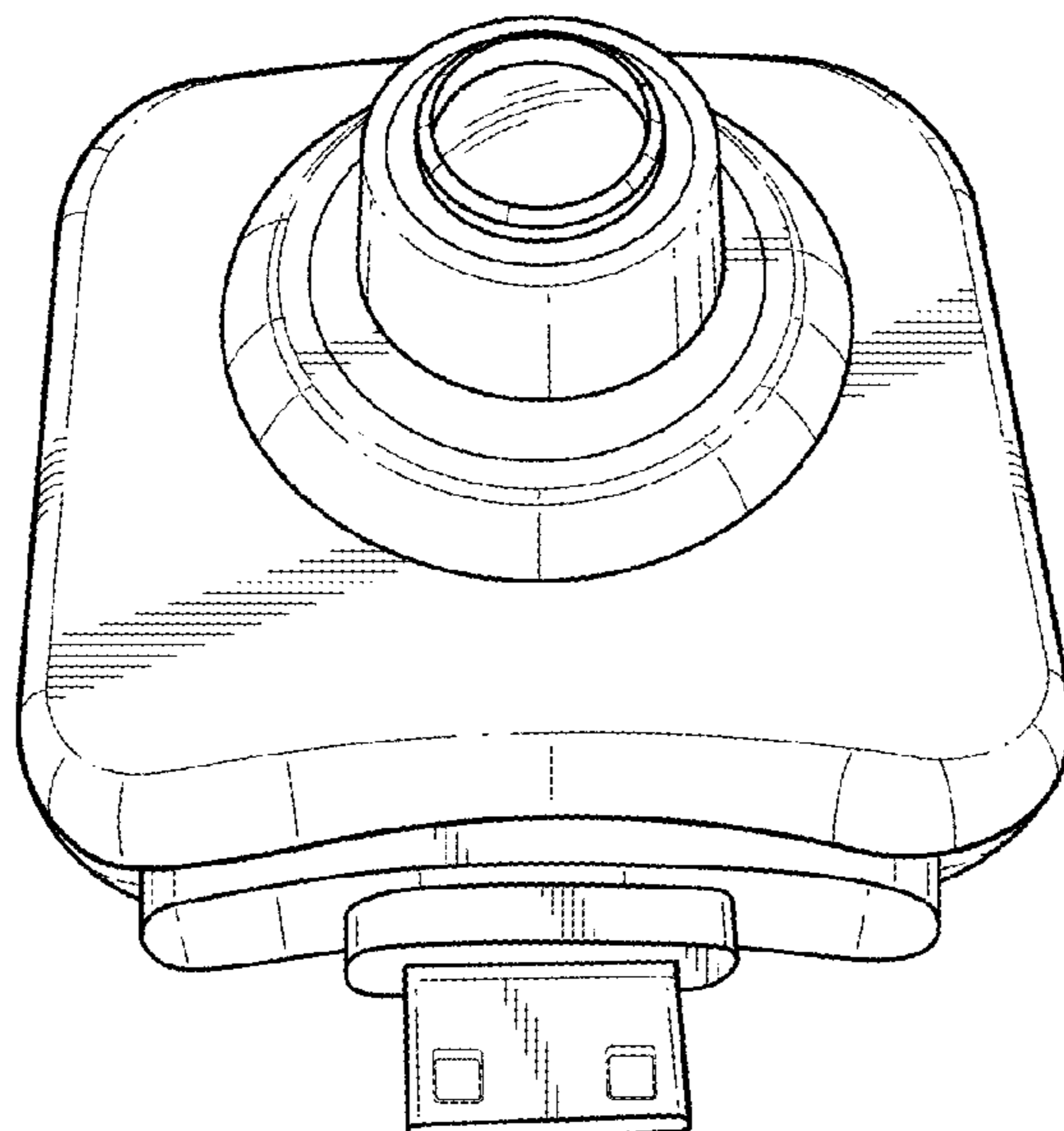
(57) **CLAIM**

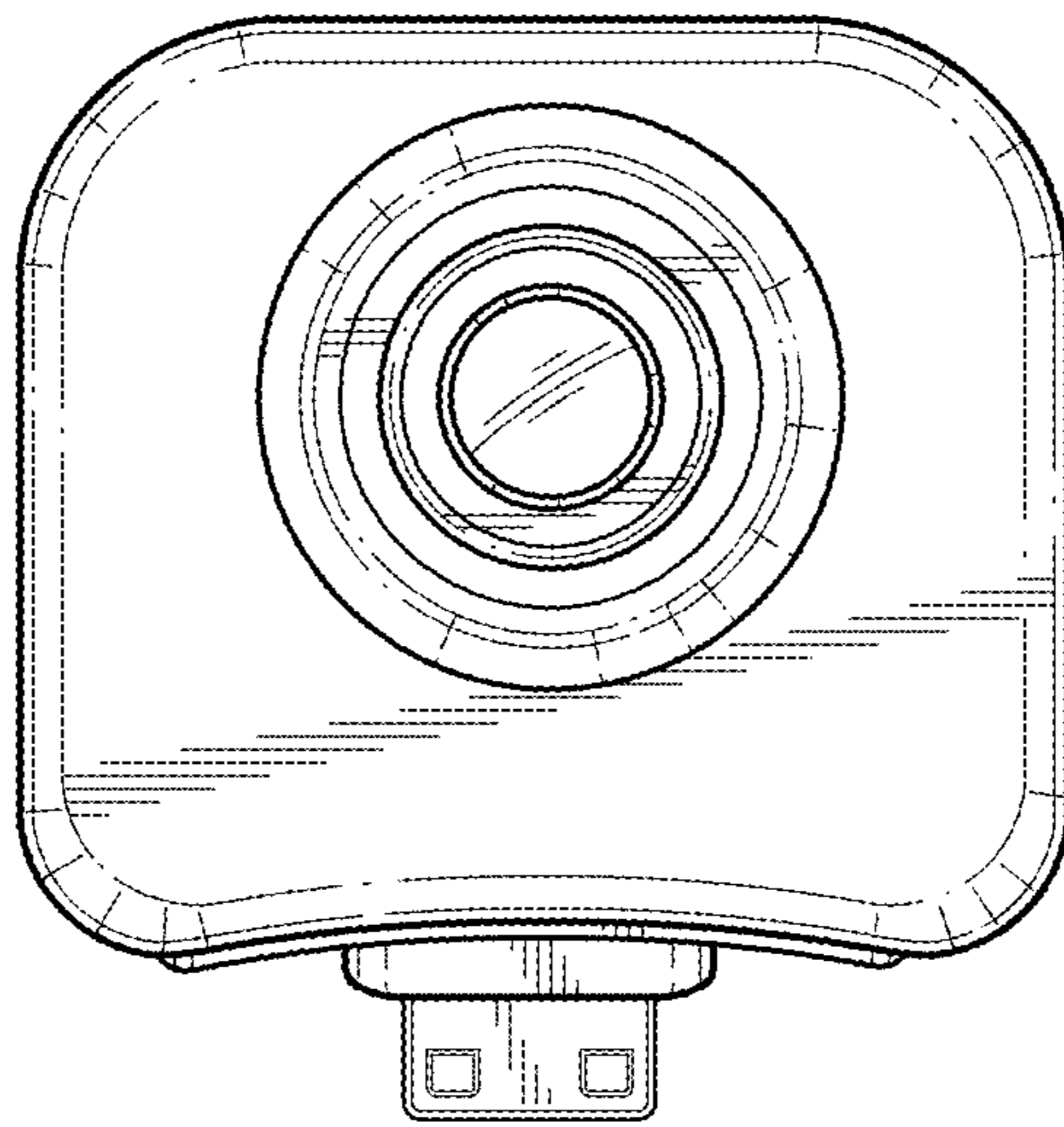
The ornamental design for a rear facing camera zoom, as shown and described.

**DESCRIPTION**

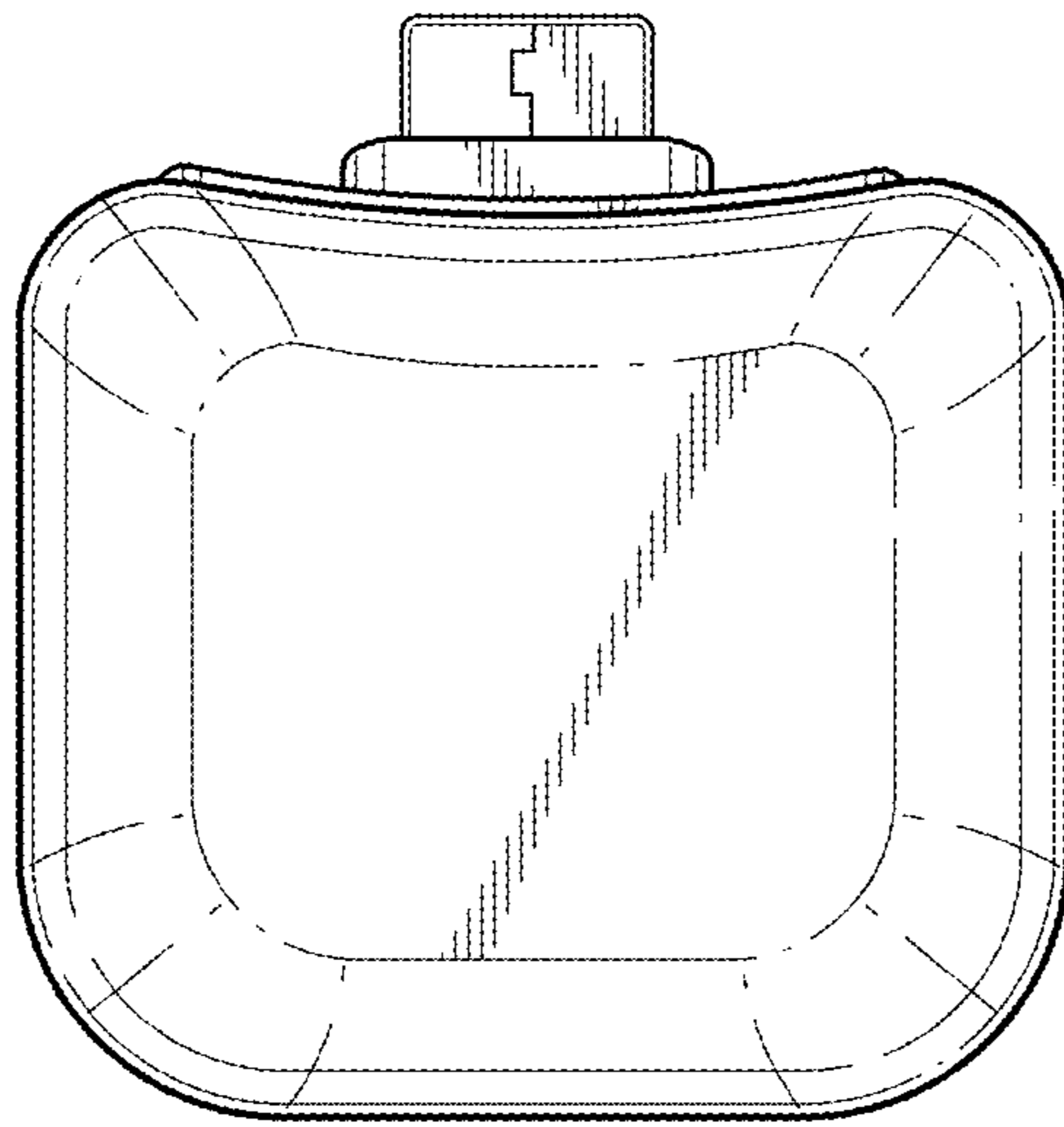
FIG. 1 is a front elevation view of a rear facing camera zoom showing our new design;  
FIG. 2 is a rear elevation view thereof;  
FIG. 3 is a bottom plan view thereof;  
FIG. 4 is a top plan view thereof;  
FIG. 5 is a left side elevation view thereof;  
FIG. 6 is a right side elevation view thereof; and,  
FIG. 7 is a bottom and front perspective view thereof.  
The broken lines depict portions of the rear facing camera zoom in which the design is embodied that form no part of the claimed design.

**1 Claim, 7 Drawing Sheets**

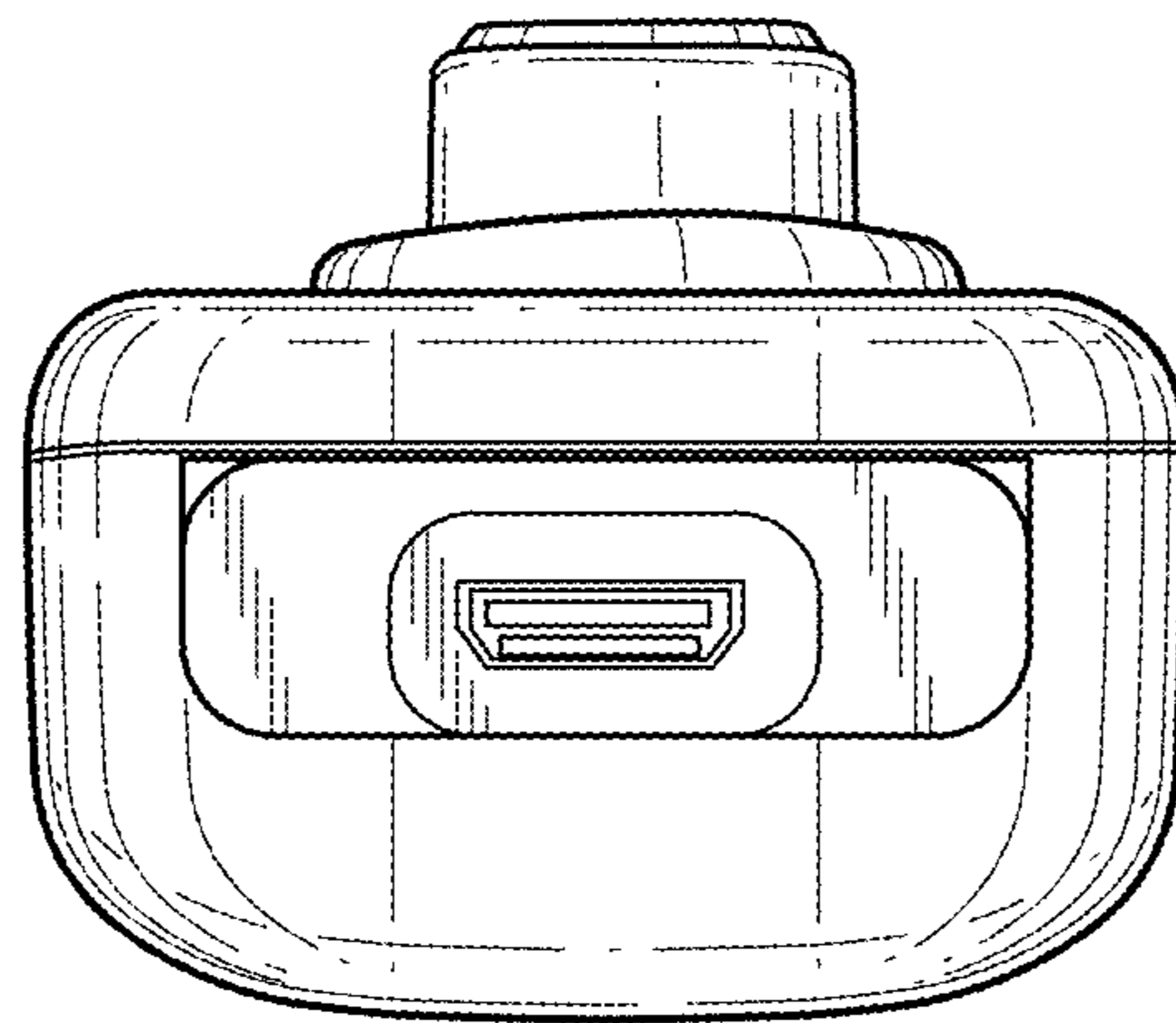




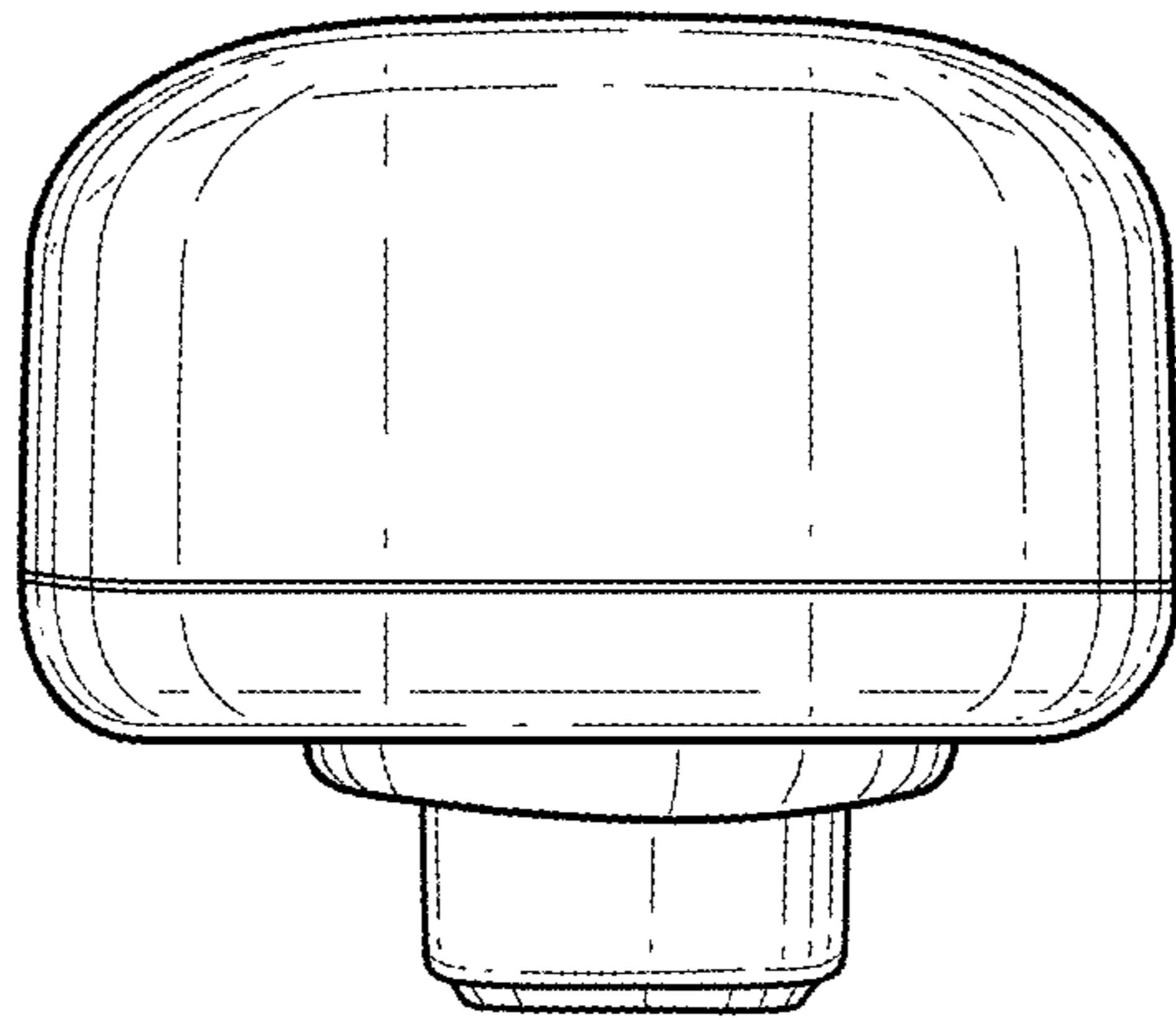
**FIG. 1**



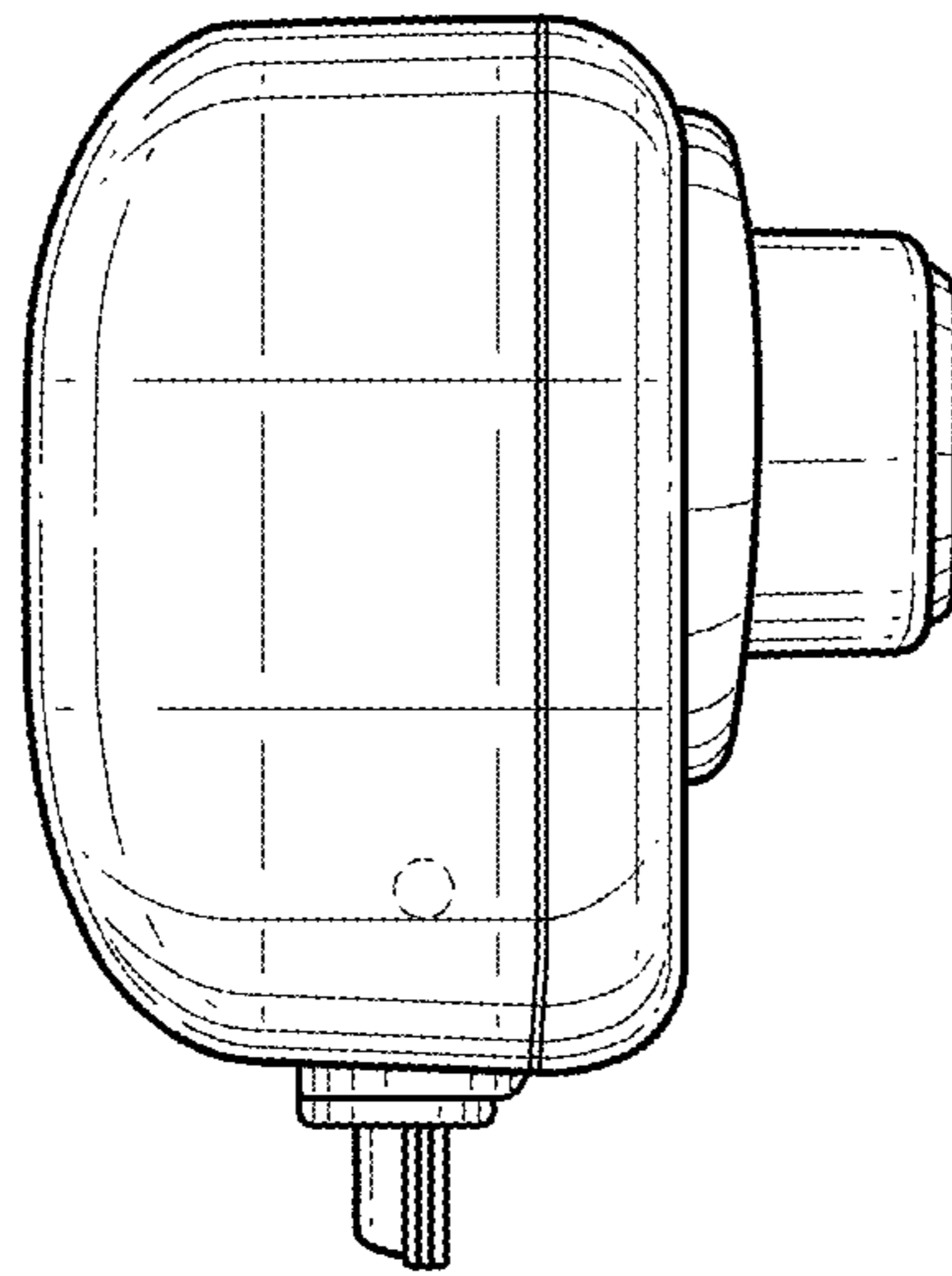
**FIG. 2**



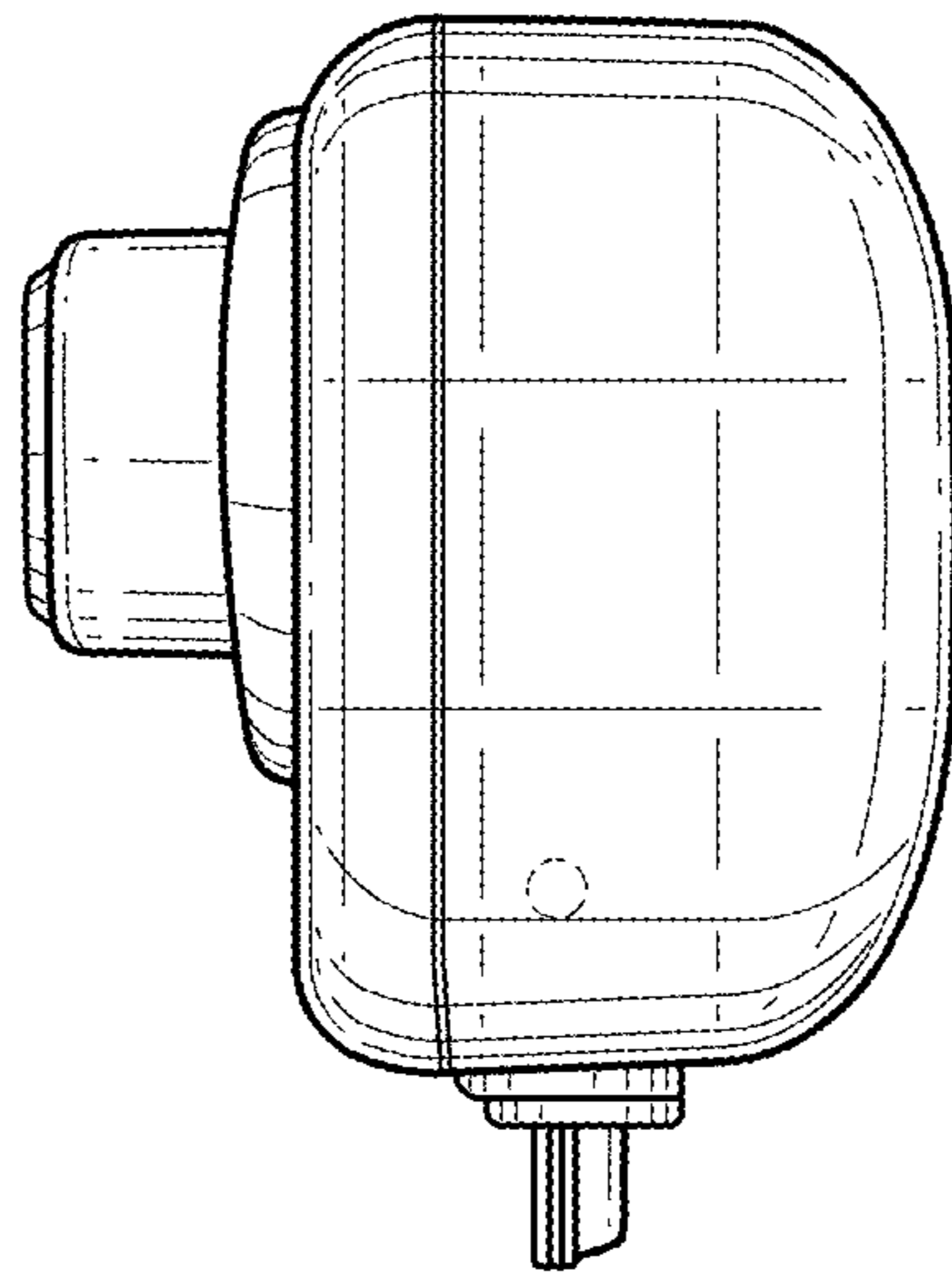
**FIG. 3**



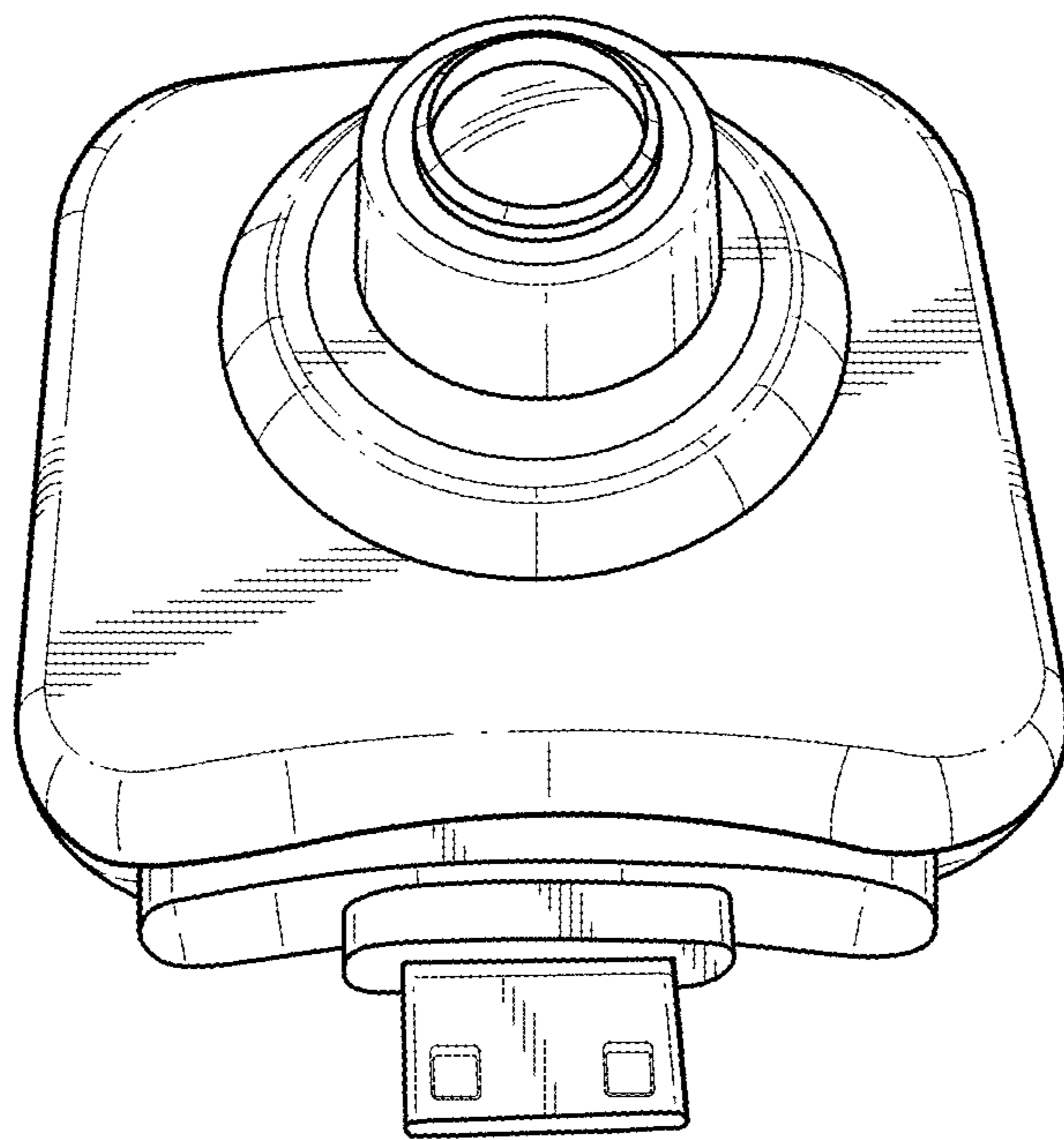
**FIG. 4**



**FIG. 5**



**FIG. 6**



**FIG. 7**