



US00D908759S

(12) **United States Design Patent**
Kang et al.

(10) **Patent No.:** **US D908,759 S**

(45) **Date of Patent:** **** Jan. 26, 2021**

(54) **OPTICAL ELEMENT FOR OPTICAL COMMUNICATION**

(71) Applicant: **MPNICS CO., LTD.**, Gwangju (KR)

(72) Inventors: **Sang Do Kang**, Gwangju (KR); **Seung Keun Oh**, Gwangju (KR); **Hun Kim**, Gwangju (KR); **Hyun Jong Kang**, Gwangju (KR)

(73) Assignee: **MPNICS CO., LTD.**, Gwangju (KR)

(**) Term: **15 Years**

(21) Appl. No.: **29/670,862**

(22) Filed: **Nov. 20, 2018**

(51) **LOC (13) Cl.** **16-06**

(52) **U.S. Cl.**
USPC **D16/134**

(58) **Field of Classification Search**
USPC D16/100, 101, 132, 131, 130; D22/108, D22/109; D24/150, 172, 133; D10/46
CPC A61B 3/036; A61B 3/103; A61B 3/1015; A61B 3/032; A61F 2/1691; A61F 2/16; G02C 7/04
See application file for complete search history.

(56) **References Cited**

U.S. PATENT DOCUMENTS

2,229,410	A *	1/1941	Gulden	A61B 3/02
					351/203
D243,288	S *	2/1977	Jampolsky	D24/172
D429,895	S *	8/2000	Bravenec	D16/130
6,836,368	B2 *	12/2004	Niida	G02B 6/0031
					359/619

7,239,444	B2 *	7/2007	Mizuno	G03B 21/56
					359/443
D608,806	S *	1/2010	Chern	D16/101
D608,807	S *	1/2010	Chern	D16/101
D679,444	S *	4/2013	Vasylyev	D26/120
D713,989	S *	9/2014	Kim	D26/122
D721,200	S *	1/2015	Kim	D26/122
D723,211	S *	2/2015	Hsu	D26/122
D775,678	S *	1/2017	Cockley	D16/137
D827,008	S *	8/2018	Okada	D16/131
D833,609	S *	11/2018	Cockley	D24/150

* cited by examiner

Primary Examiner — Mark A Goodwin

Assistant Examiner — Benjamin M Weeks

(74) *Attorney, Agent, or Firm* — The PL Law Group, PLLC

(57) **CLAIM**

The ornamental design for an optical element for optical communication, as shown and described herein.

DESCRIPTION

FIG. 1 is a perspective view of the optical element for optical communication showing our new design;
FIG. 2 is a front view thereof;
FIG. 3 is a rear view thereof;
FIG. 4 is a left side view thereof;
FIG. 5 is a right side view thereof;
FIG. 6 is a top plan view thereof; and,
FIG. 7 is a bottom plan view thereof.
Oblique lines show a transparent, reflective, or shiny surface, and not surface ornamentation. Elements visible behind transparent surfaces are shown in light, full lines.

1 Claim, 6 Drawing Sheets

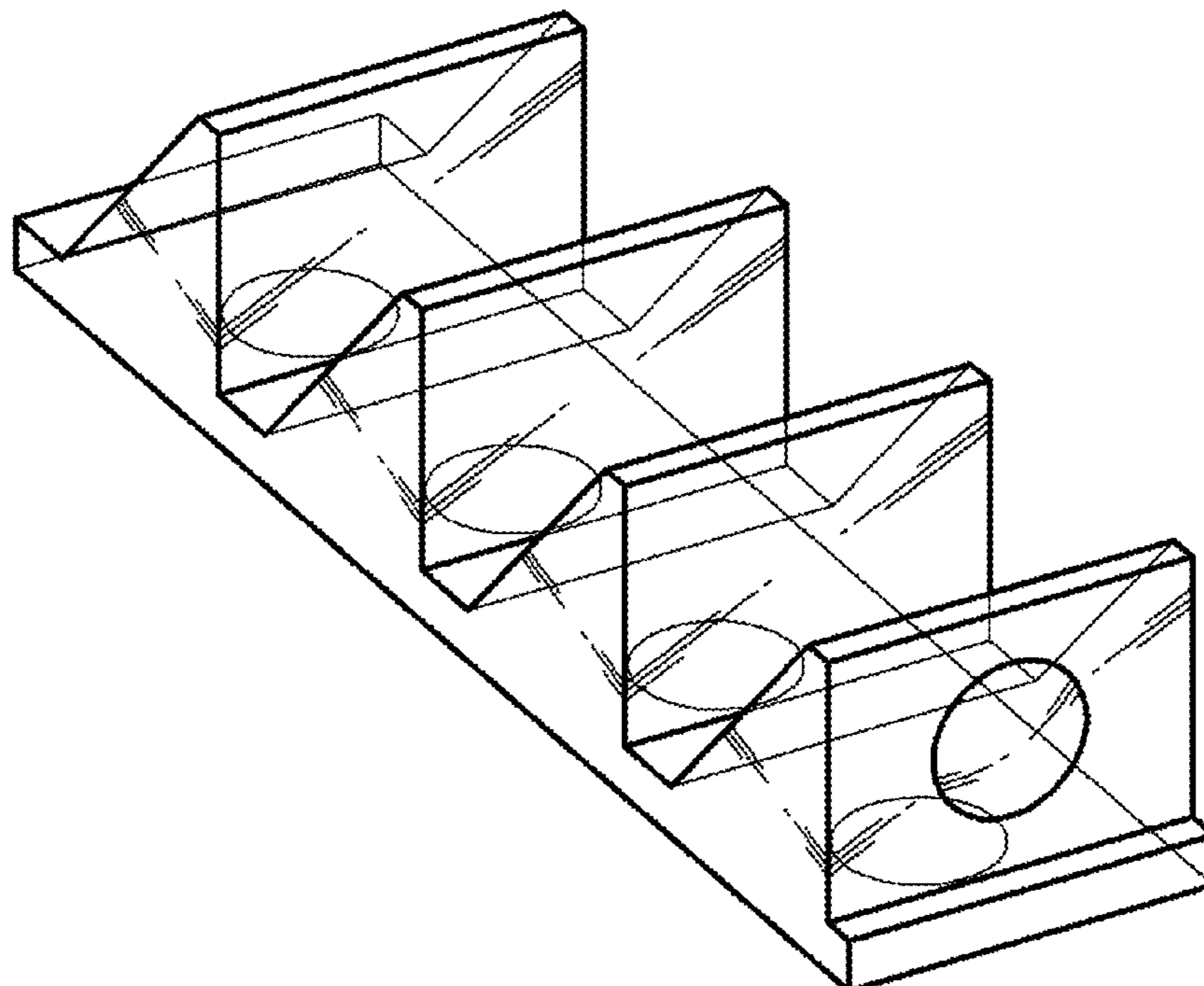


FIG. 1

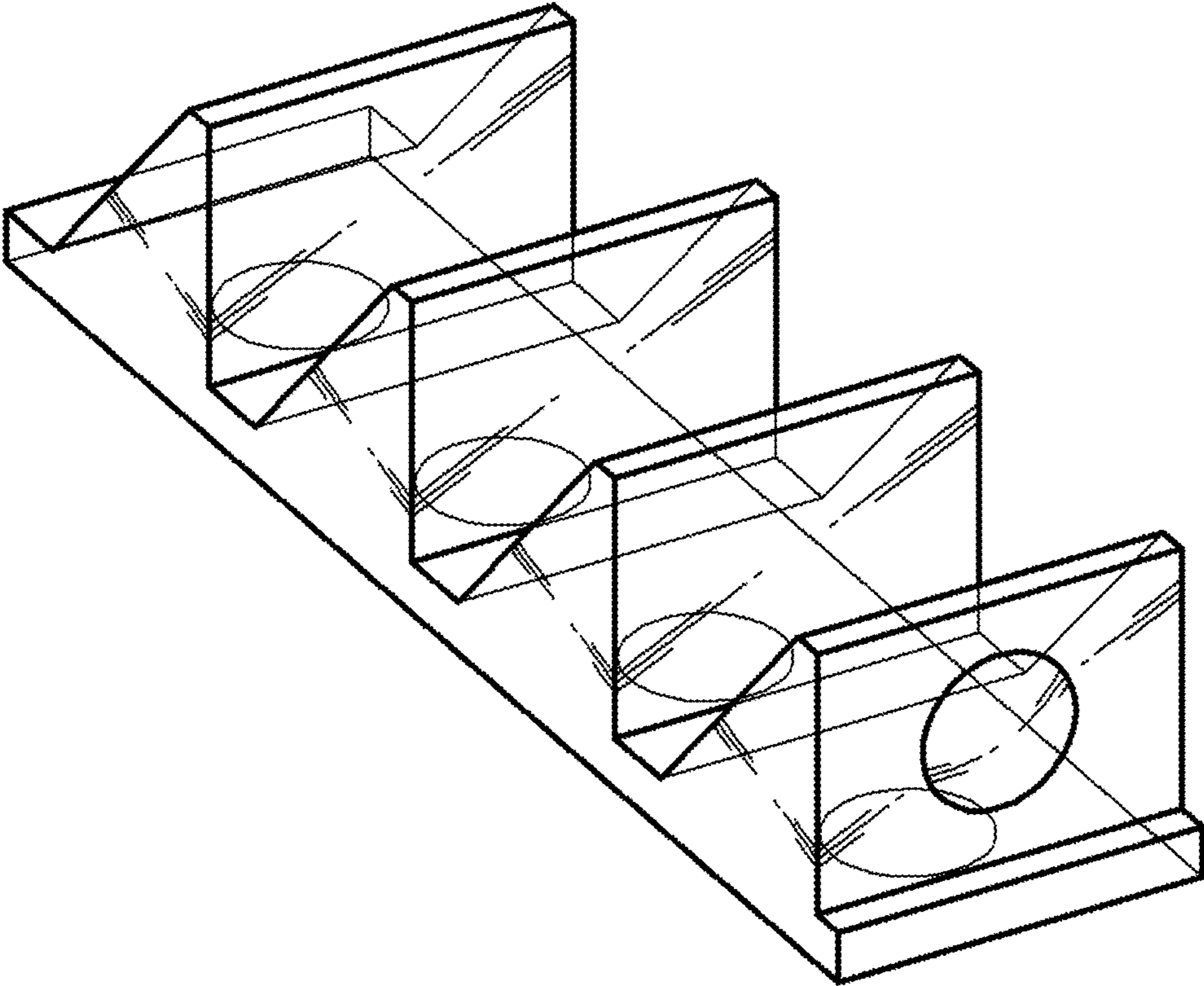


FIG. 2

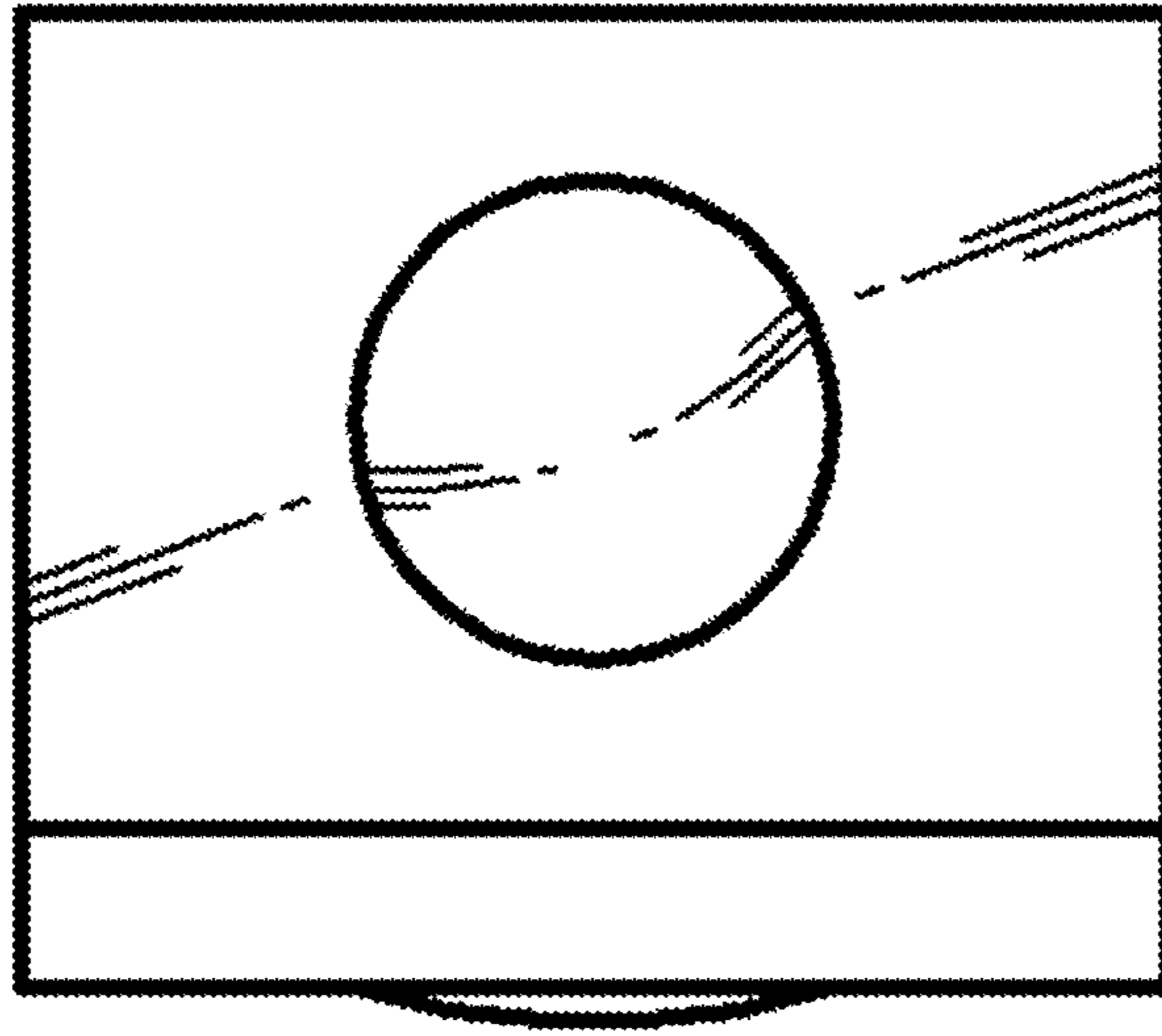


FIG. 3

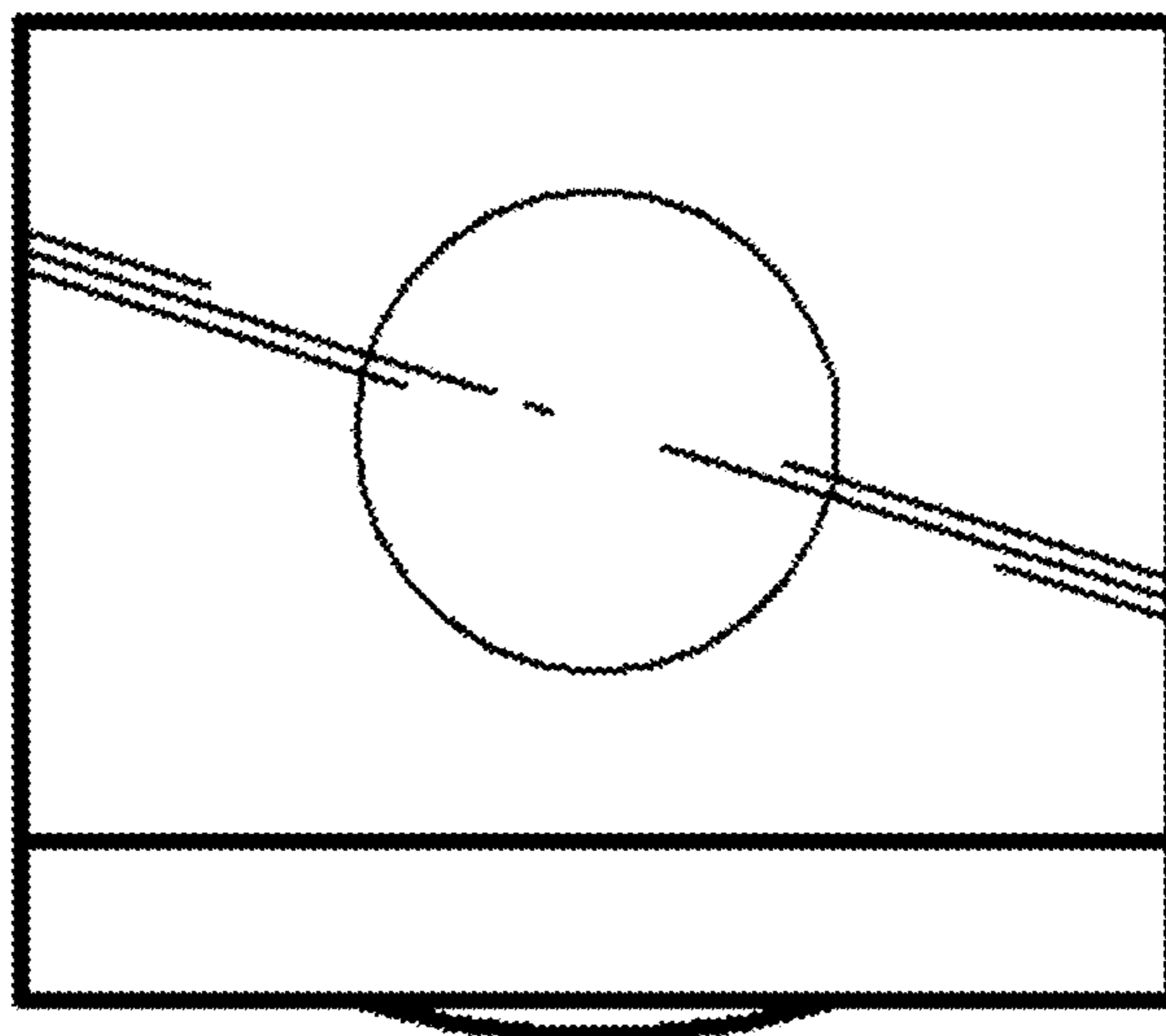


FIG. 4

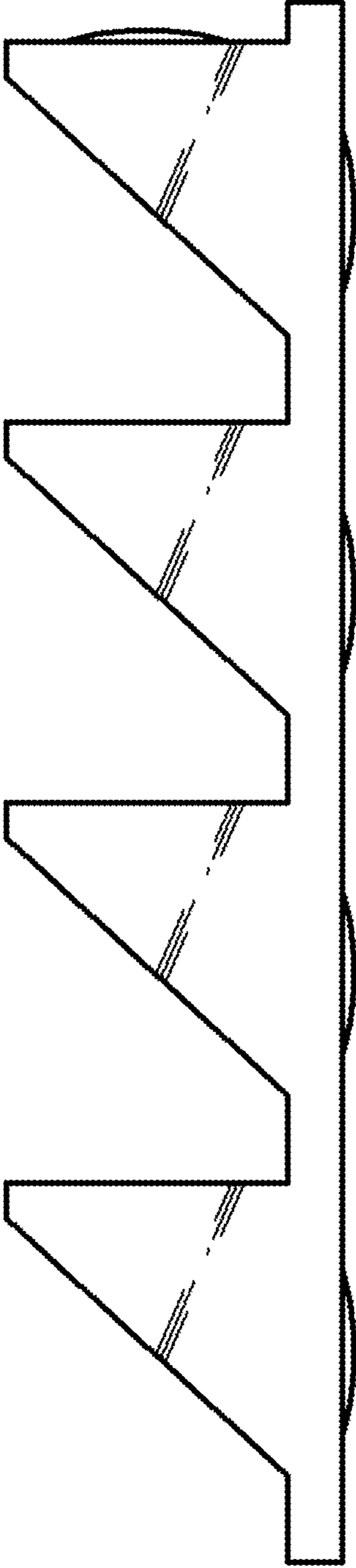


FIG. 5

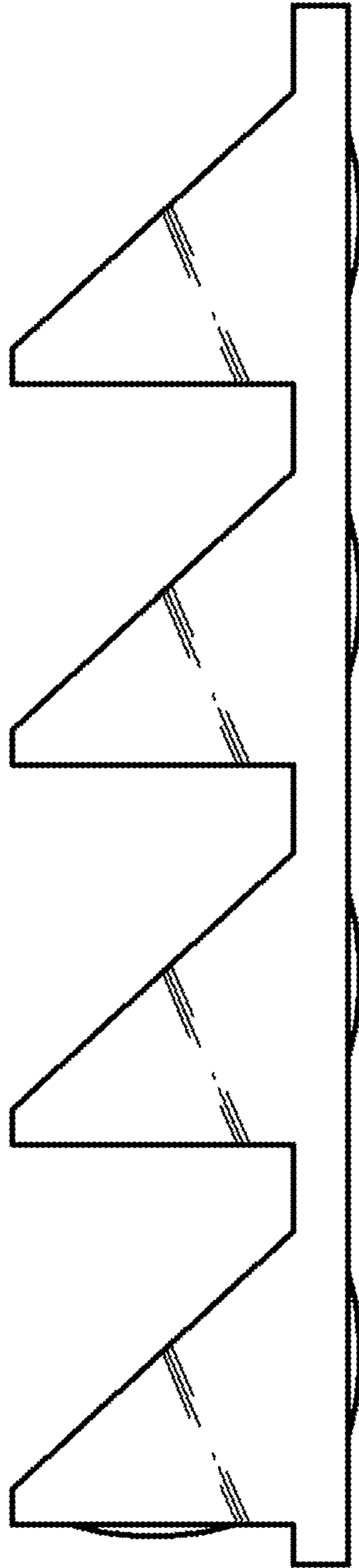


FIG. 6

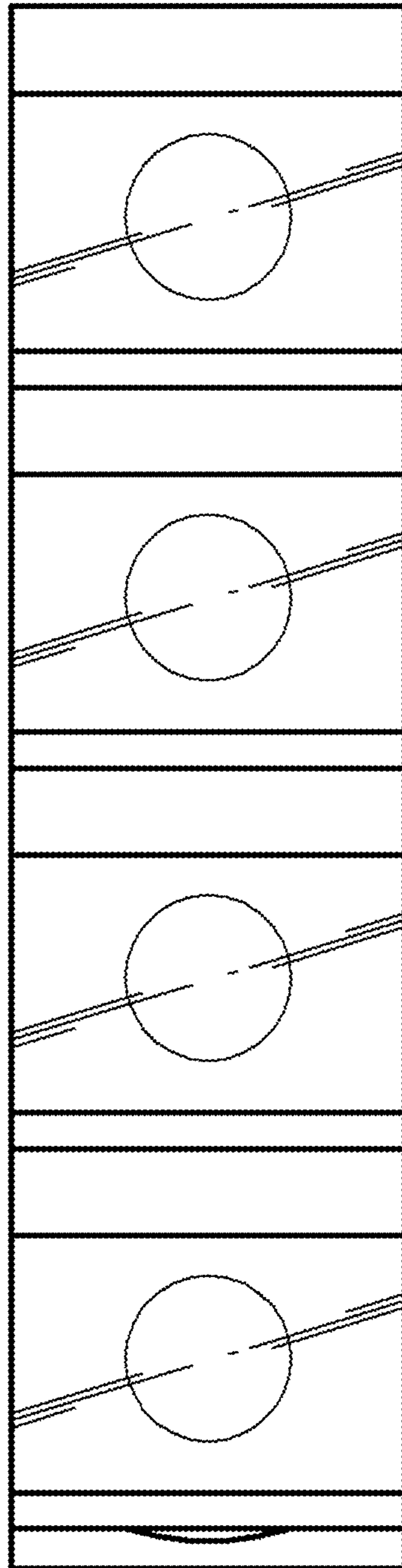


FIG. 7

