



US00D908758S

(12) **United States Design Patent**
Kung et al.

(10) **Patent No.:** **US D908,758 S**
(45) **Date of Patent:** **** Jan. 26, 2021**

- (54) **MICROSCOPE**
- (71) Applicants: **Su-Min Kung**, Taipei (TW); **Chang Lu Huang**, Taipei (TW)
- (72) Inventors: **Su-Min Kung**, Taipei (TW); **Chang Lu Huang**, Taipei (TW)
- (73) Assignee: **HUNTER OPTICAL CO., LTD.**, New Taipei (TW)
- (**) Term: **15 Years**
- (21) Appl. No.: **29/674,868**
- (22) Filed: **Dec. 27, 2018**
- (51) **LOC (13) Cl.** **16-06**
- (52) **U.S. Cl.**
USPC **D16/131**
- (58) **Field of Classification Search**
USPC D16/131, 136, 130, 132-135, 200, 202, D16/203, 218, 219; D22/100, 108, 109, D22/110, 199
CPC G02B 21/24; G02B 21/34; G02B 27/0006; G02B 7/00; G02B 7/001; G02B 17/00; G02B 1/00; G02B 1/002; G02B 1/0008; G02B 1/0012
See application file for complete search history.

(56) **References Cited**

U.S. PATENT DOCUMENTS

D367,869 S *	3/1996	Hofmann-Igl	D16/130
D440,996 S *	4/2001	Takanashi	D16/131
D482,710 S *	11/2003	Ho	D16/132
D516,108 S *	2/2006	Cheng	D16/203
D516,595 S *	3/2006	Apotheloz	D16/131
D528,574 S *	9/2006	Koinuma	D16/132

D547,346 S *	7/2007	Ollila	D16/203
D592,689 S *	5/2009	Dunn	D16/131
D640,721 S *	6/2011	Satine	D16/204
D686,264 S *	7/2013	Hoshi	D16/132
D690,342 S *	9/2013	Funakoshi	D16/131
D695,327 S *	12/2013	Hoelbl	D16/132
D724,129 S *	3/2015	Marsiglia	D16/132
D731,571 S *	6/2015	Imamizu	D16/132
D736,293 S *	8/2015	Schmidt	D16/203
D782,555 S *	3/2017	Apotheloz	G02B 21/24 D16/131
D784,433 S *	4/2017	Weber	D16/131
D791,852 S *	7/2017	Harding	D16/208
D799,576 S *	10/2017	Apotheloz	D16/131
D811,460 S *	2/2018	Apotheloz	D16/131
D816,795 S *	5/2018	Vogl	D22/109
D871,487 S *	12/2019	Sakai	D16/219
D872,220 S *	1/2020	Vogl	D22/109
D872,789 S *	1/2020	Haavisto	D16/131
D896,295 S *	9/2020	Lee	D16/202

* cited by examiner

Primary Examiner — Mark A Goodwin
Assistant Examiner — Benjamin M Weeks

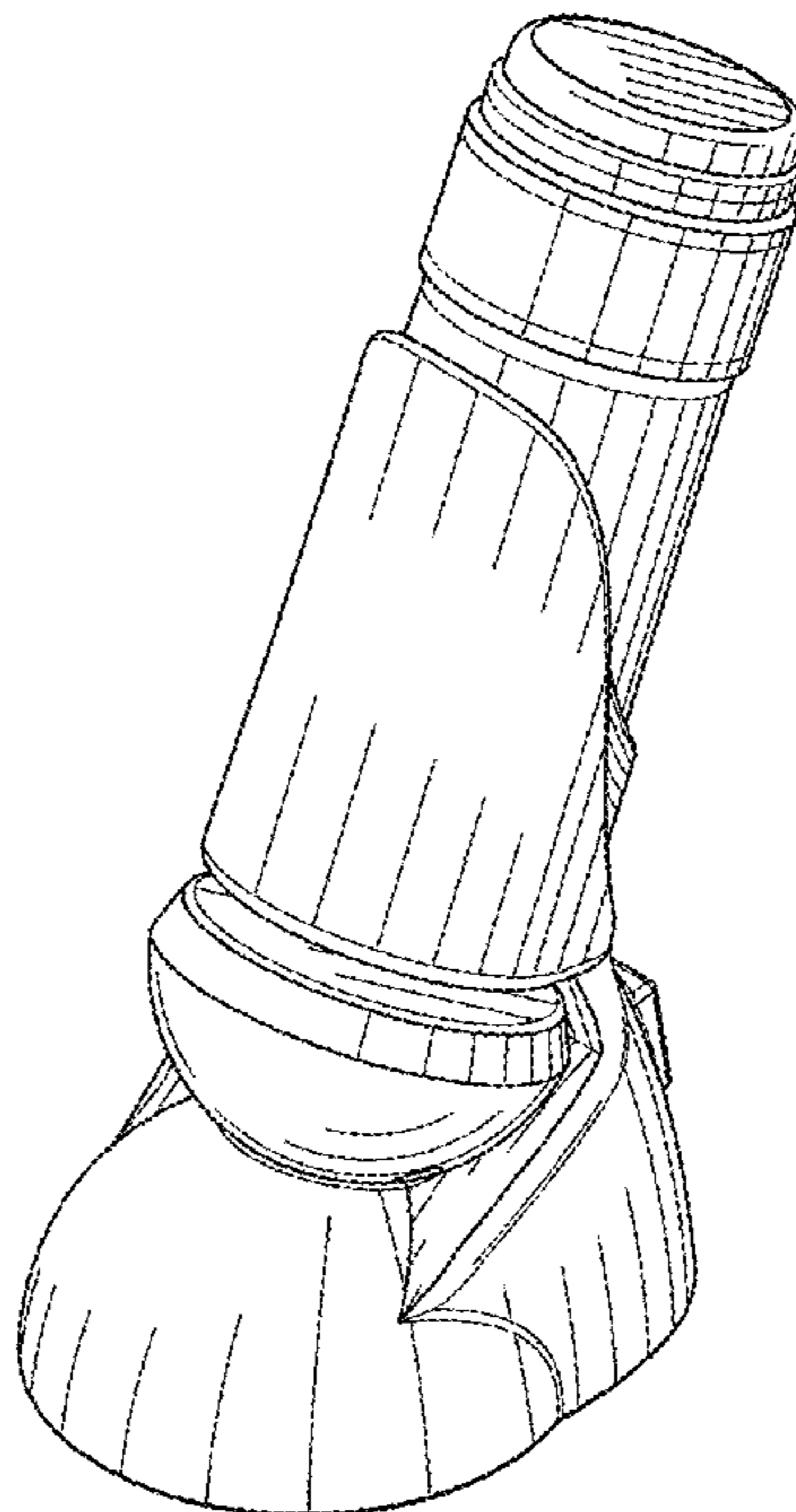
(57) **CLAIM**

The ornamental design for a microscope, as shown and described.

DESCRIPTION

FIG. 1 is a perspective view of the microscope showing my new design.
 FIG. 2 is a front elevational view thereof.
 FIG. 3 is a rear elevational view thereof.
 FIG. 4 is a left side view thereof;
 FIG. 5 is a right side view thereof.
 FIG. 6 is a top plan view thereof; and,
 FIG. 7 is a bottom plan view thereof.

1 Claim, 6 Drawing Sheets



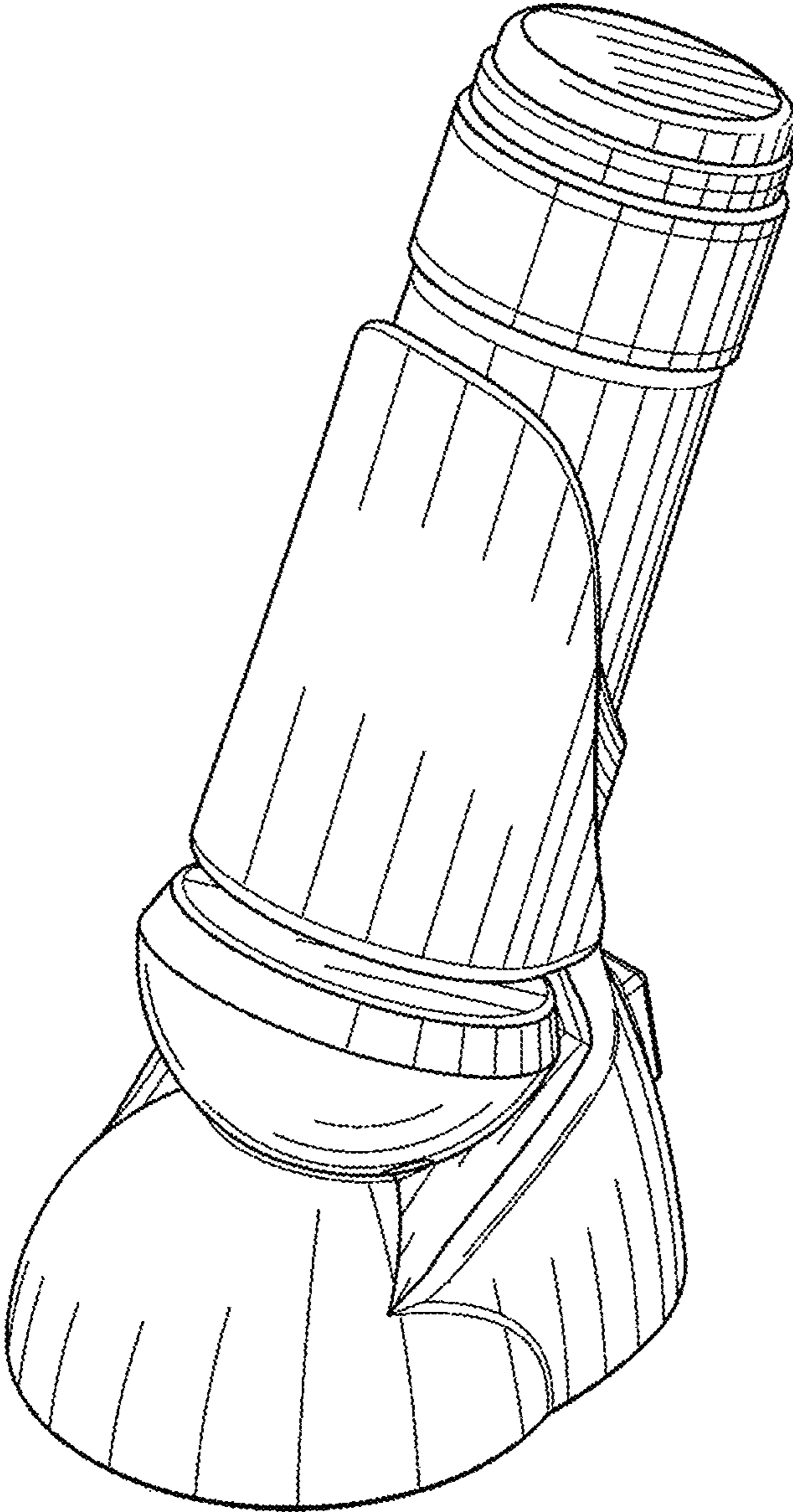


FIG. 1

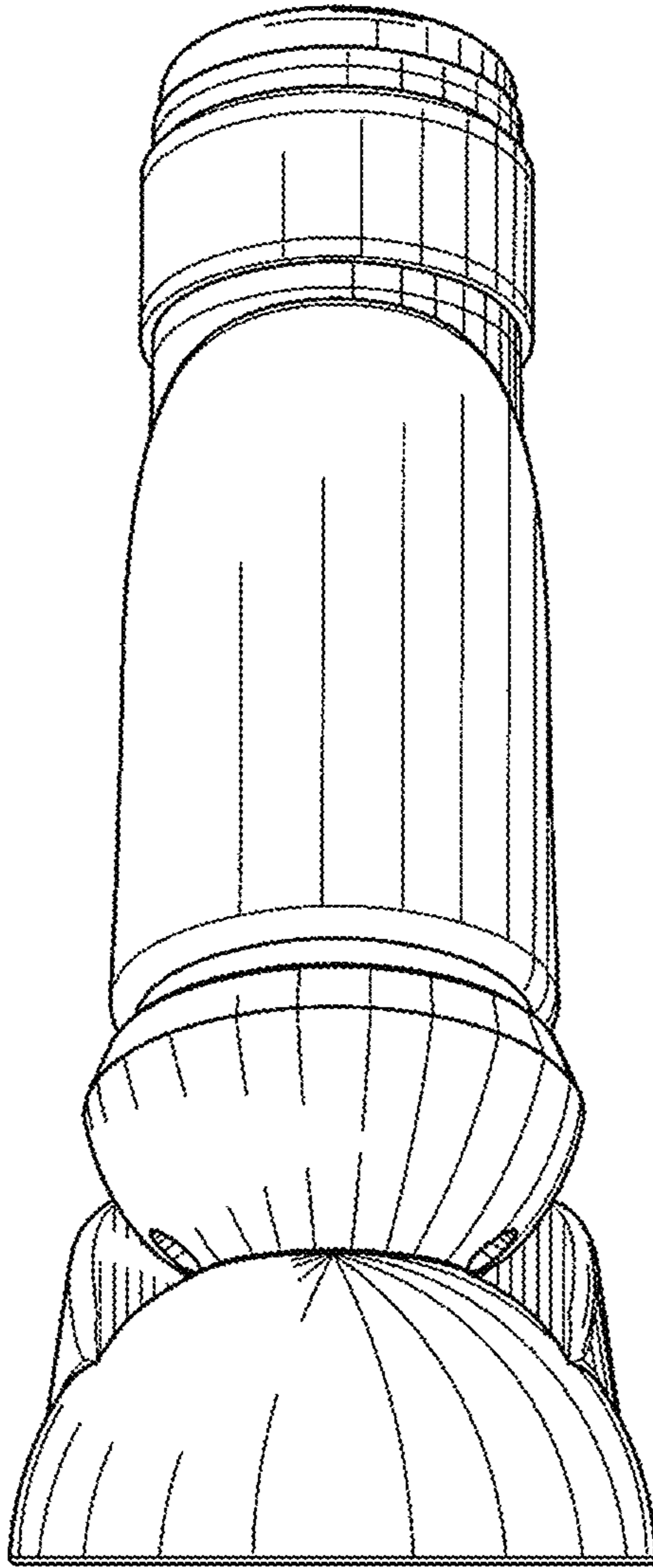


FIG. 2

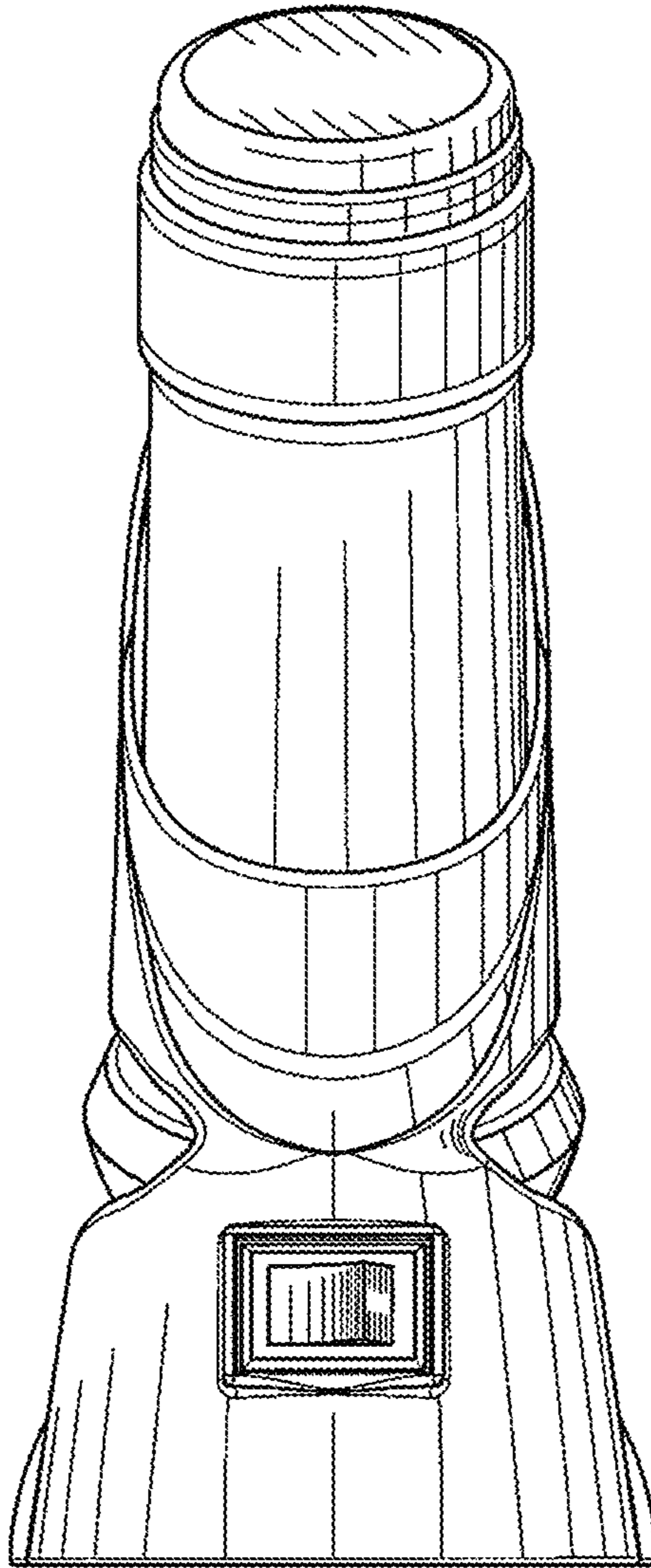


FIG. 3

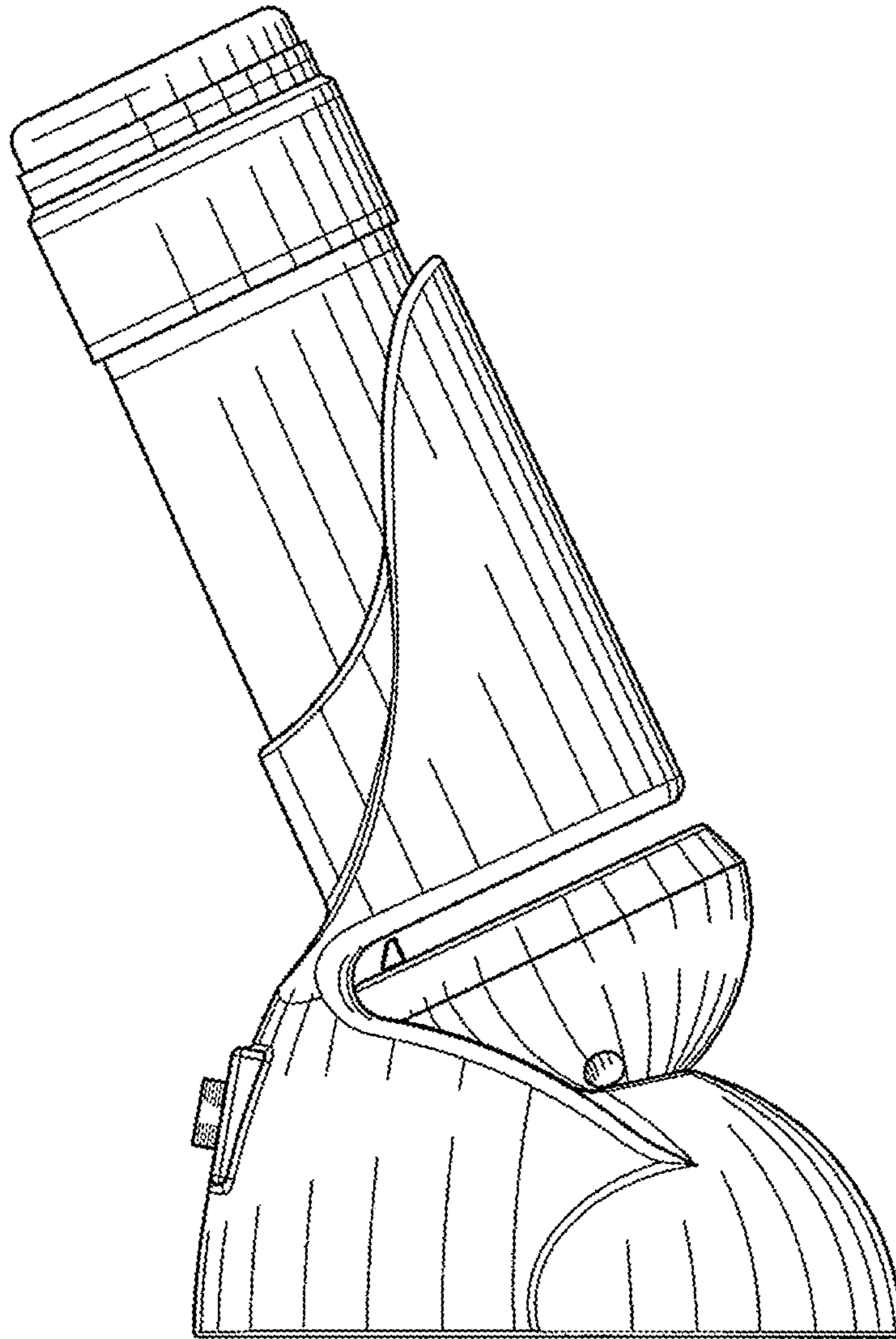


FIG. 4

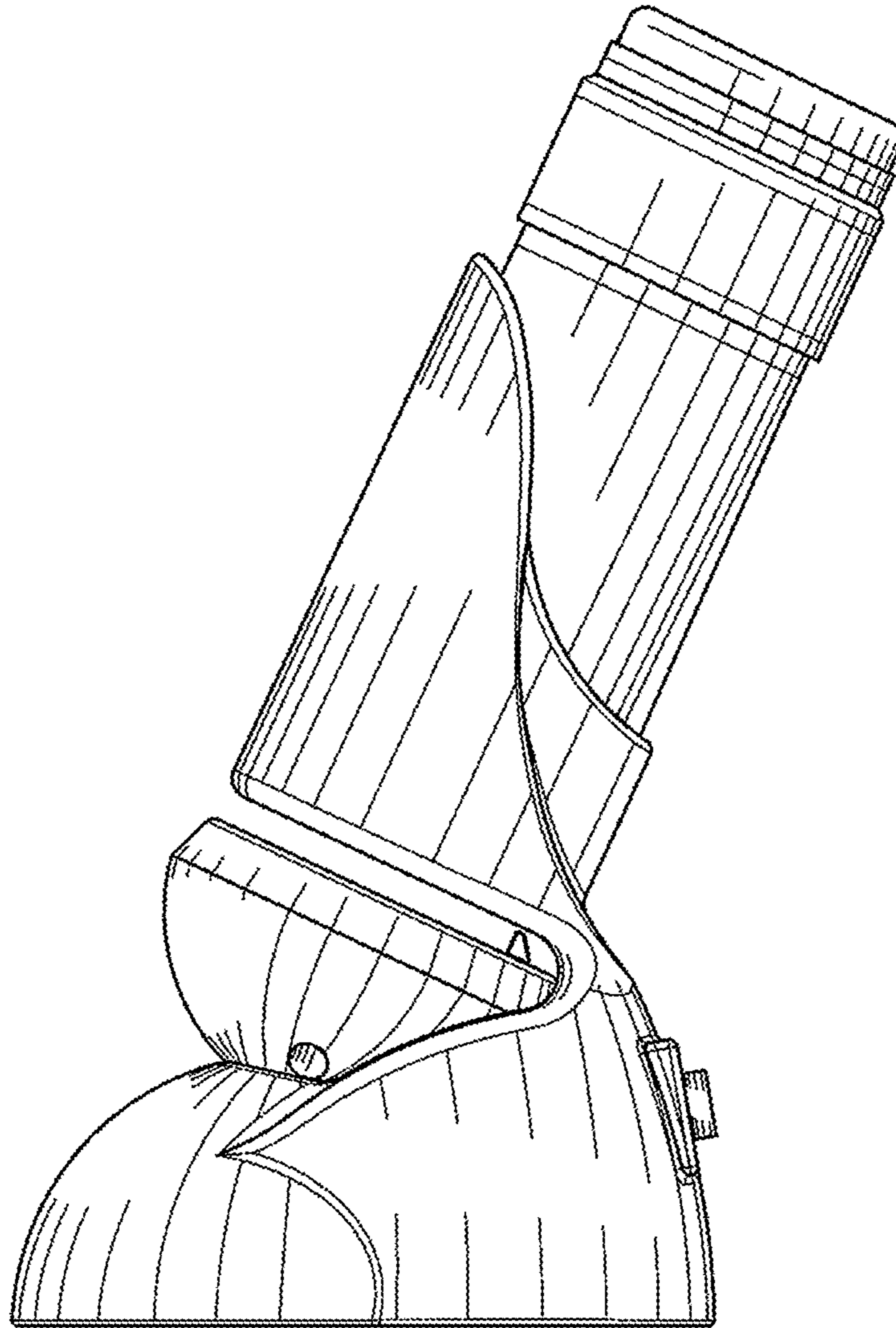


FIG. 5

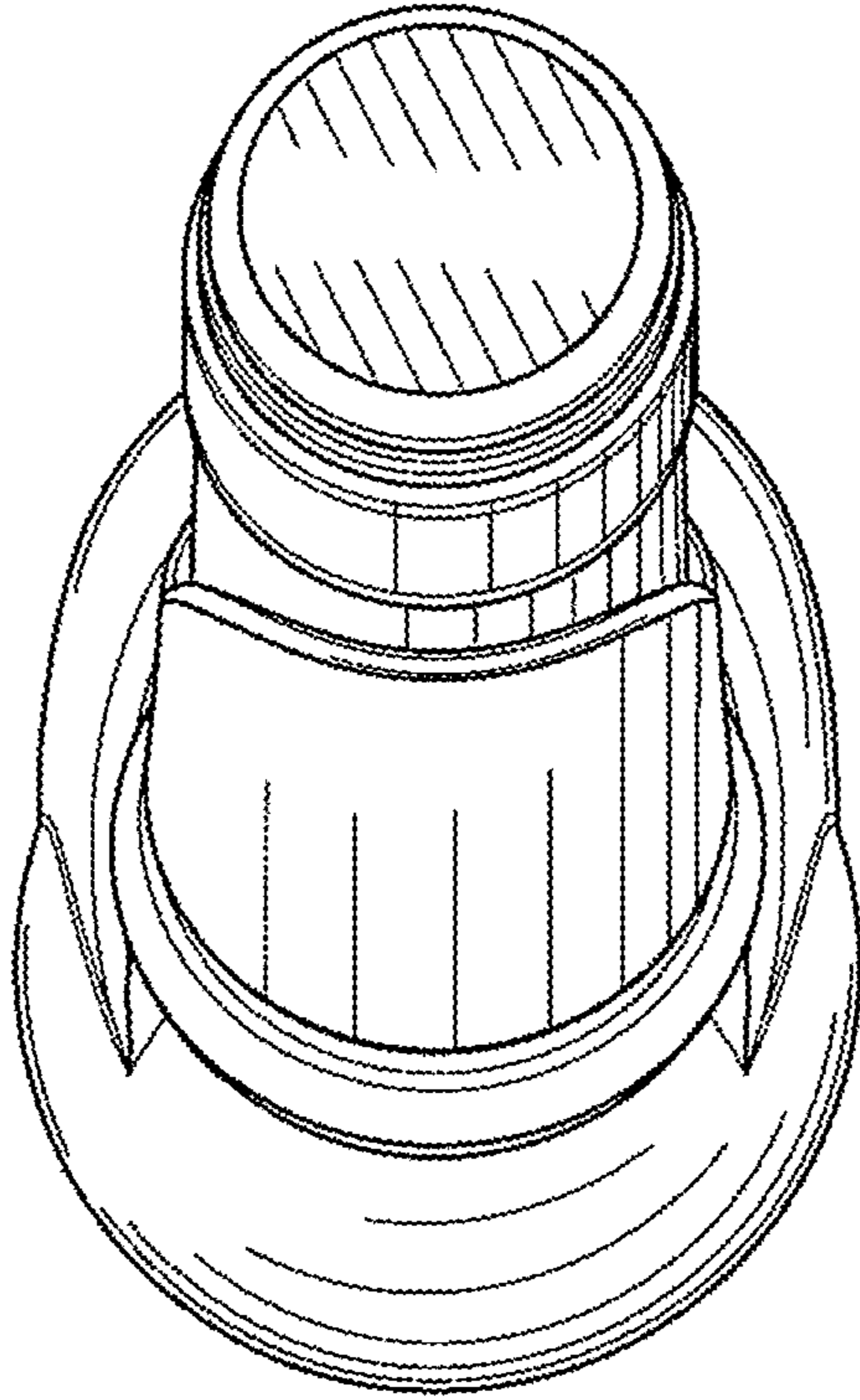


FIG. 6

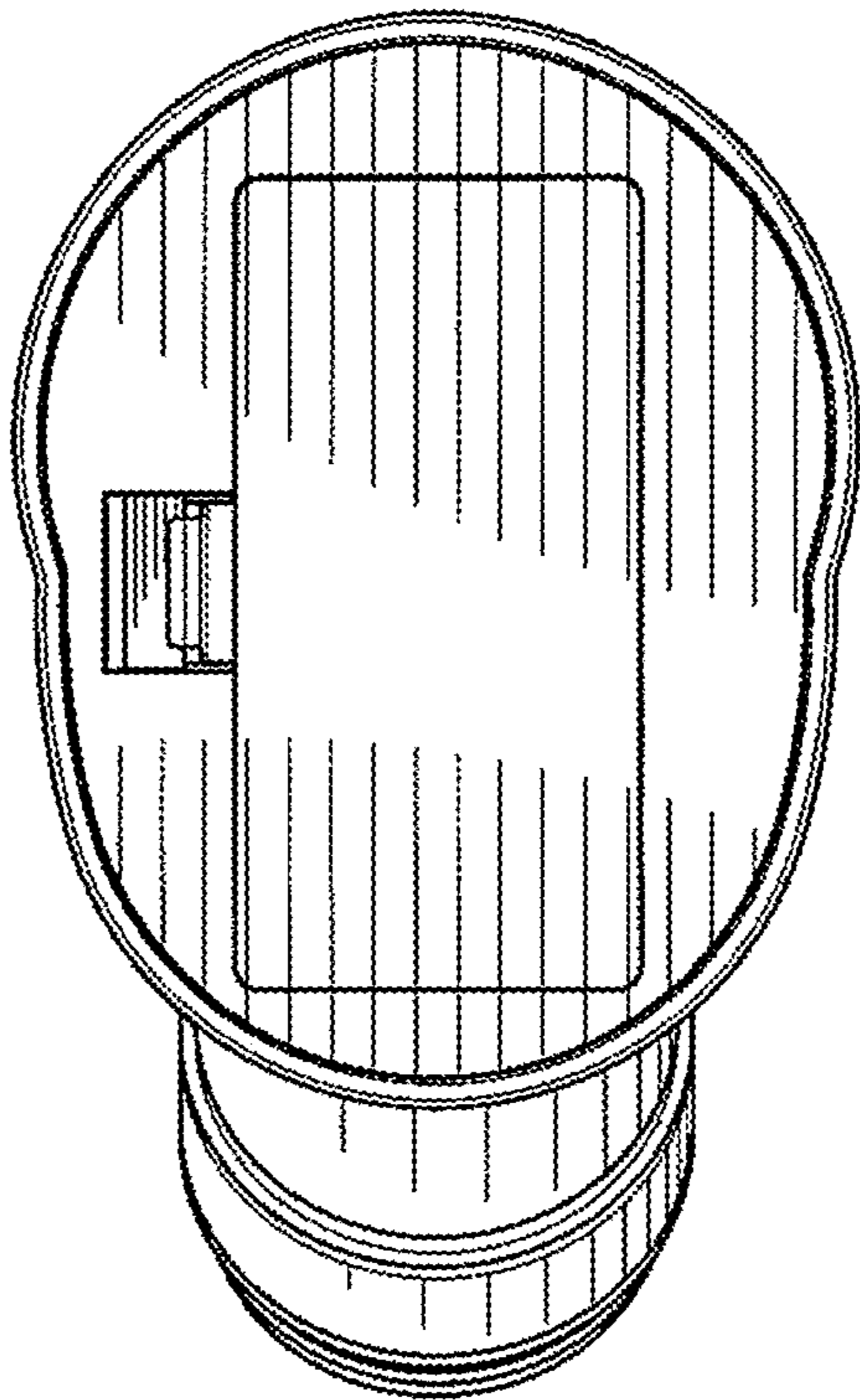


FIG. 7