



US00D908756S

(12) **United States Design Patent**
Bos et al.

(10) **Patent No.:** **US D908,756 S**
(45) **Date of Patent:** **** Jan. 26, 2021**

- (54) **TORQUE DEVICE**
- (71) Applicant: **Genesis Robotics and Motion Technologies, LP**, Wichita, KS (US)
- (72) Inventors: **Richard Bos**, Surrey (CA); **James Klassen**, Surrey (CA); **Soheil Sadeqi**, Langley (CA)
- (73) Assignee: **Genesis Robotics and Motion Technologies, LLP**, Wichita, KS (US)

D460,770 S *	7/2002	Ochiai	D15/143
D529,527 S *	10/2006	Kinoshita	D15/148
D589,993 S *	4/2009	Cheng	D15/148
D656,170 S *	3/2012	Costa Pujadas	D15/148
D673,196 S *	12/2012	von Hafen	D15/148
D673,197 S *	12/2012	von Hafen	D15/148
D781,943 S *	3/2017	Ries	D15/199
D789,432 S *	6/2017	Tokuda	D15/148
D790,616 S *	6/2017	Tokuda	D15/148
D822,086 S *	7/2018	Nakamura	D15/149
D873,318 S *	1/2020	Andersson	D15/148
D879,171 S *	3/2020	Chang	D15/148
D885,450 S *	5/2020	Zentmyer	D15/148

(**) Term: **15 Years**

FOREIGN PATENT DOCUMENTS

(21) Appl. No.: **29/707,264**

WO 2019051614 A1 3/2019

(22) Filed: **Sep. 27, 2019**

* cited by examiner

(30) **Foreign Application Priority Data**

Primary Examiner — Michael C Stout
Assistant Examiner — Fitzgerald L Butac

Mar. 29, 2019 (EM) 006352712-0002
Mar. 29, 2019 (EM) 006352712-0004

(51) **LOC (13) Cl.** **15-99**

(57) **CLAIM**

(52) **U.S. Cl.**
USPC **D15/148**

The ornamental design for a torque device, as shown and described.

(58) **Field of Classification Search**
USPC D8/24, 29, 29.1, 29.2, 30, 316; D13/123, D13/133; D14/349; D15/1, 3, 5, D15/122-126, 134, 142-144, 144.1, D15/144.2, 148, 149; D22/103, 108
CPC . F02N 11/04; F02N 15/08; F16D 3/02; F16D 3/72; F16H 2055/366
See application file for complete search history.

DESCRIPTION

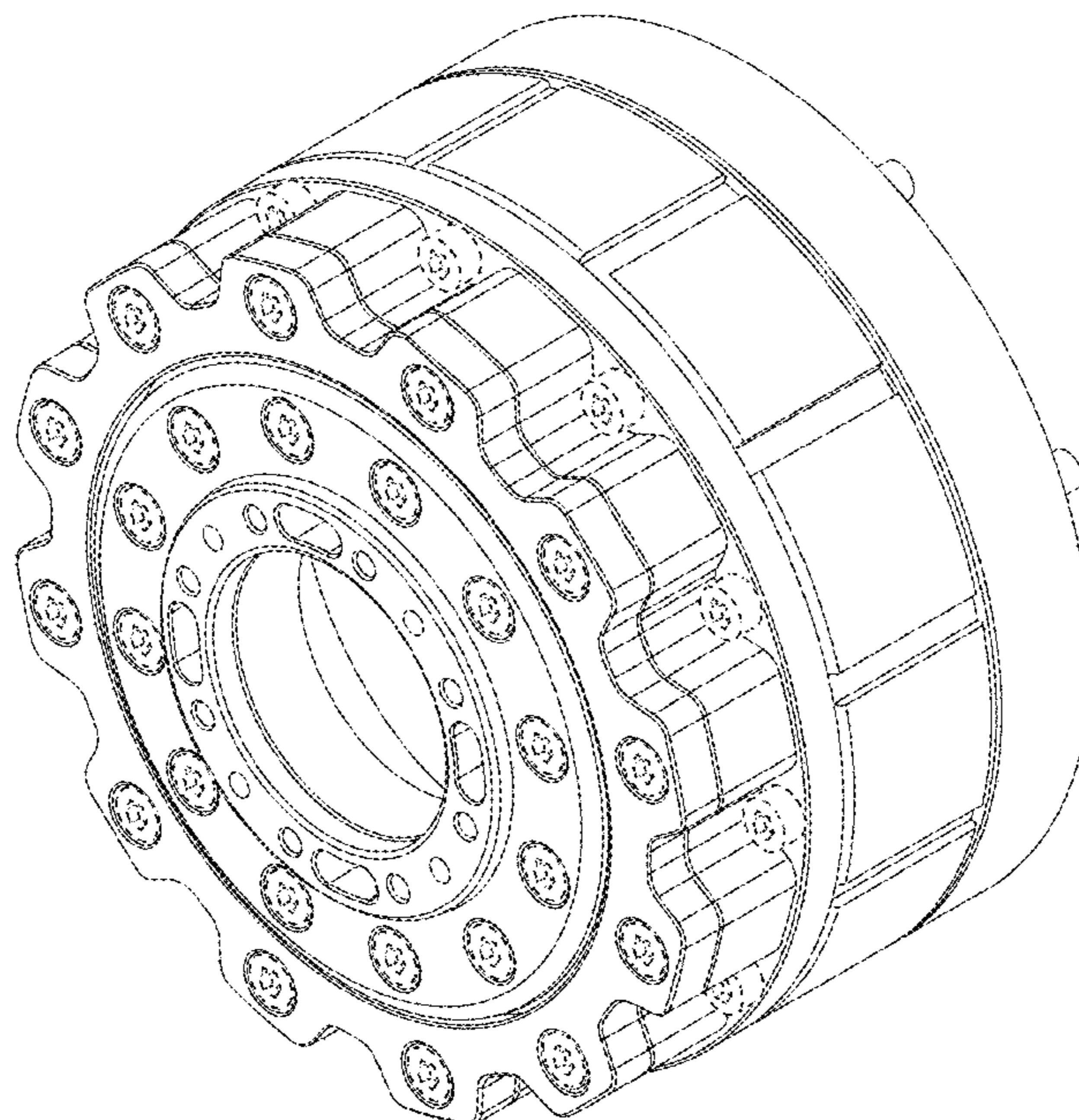
FIG. 1 is a front, top perspective view of a torque device, showing the new design;
FIG. 2 is a rear, bottom, left perspective view thereof;
FIG. 3 is a front elevation view thereof;
FIG. 4 is a rear elevation view thereof;
FIG. 5 is a left side view thereof;
FIG. 6 is a right side view thereof; and,
FIG. 7 is a top plan view, with the bottom plan view being a mirror image thereof.

(56) **References Cited**

U.S. PATENT DOCUMENTS

D214,758 S * 7/1969 Fawick D15/148
D460,093 S * 7/2002 Ochiai D15/148

1 Claim, 7 Drawing Sheets



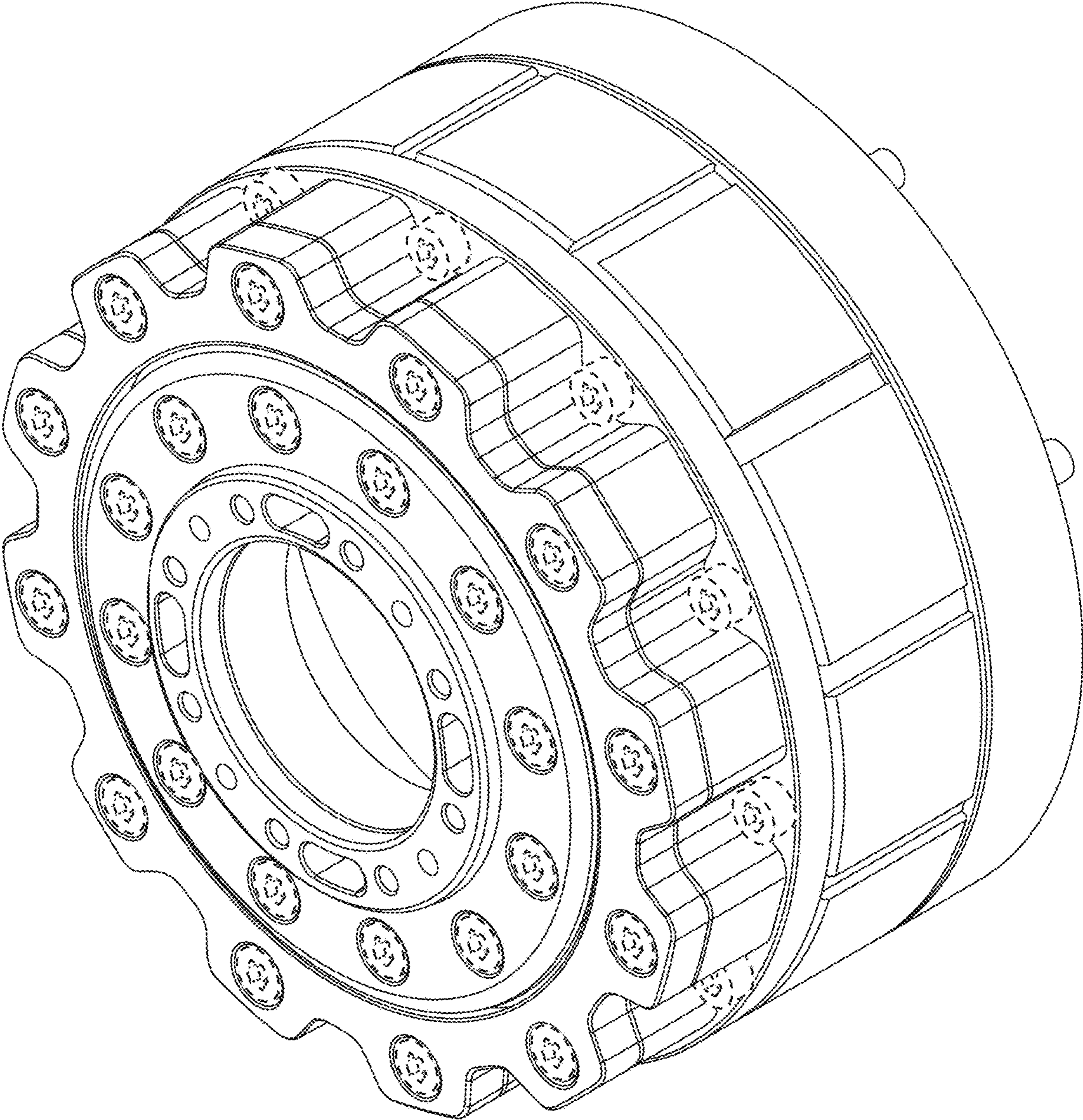


FIG. 1

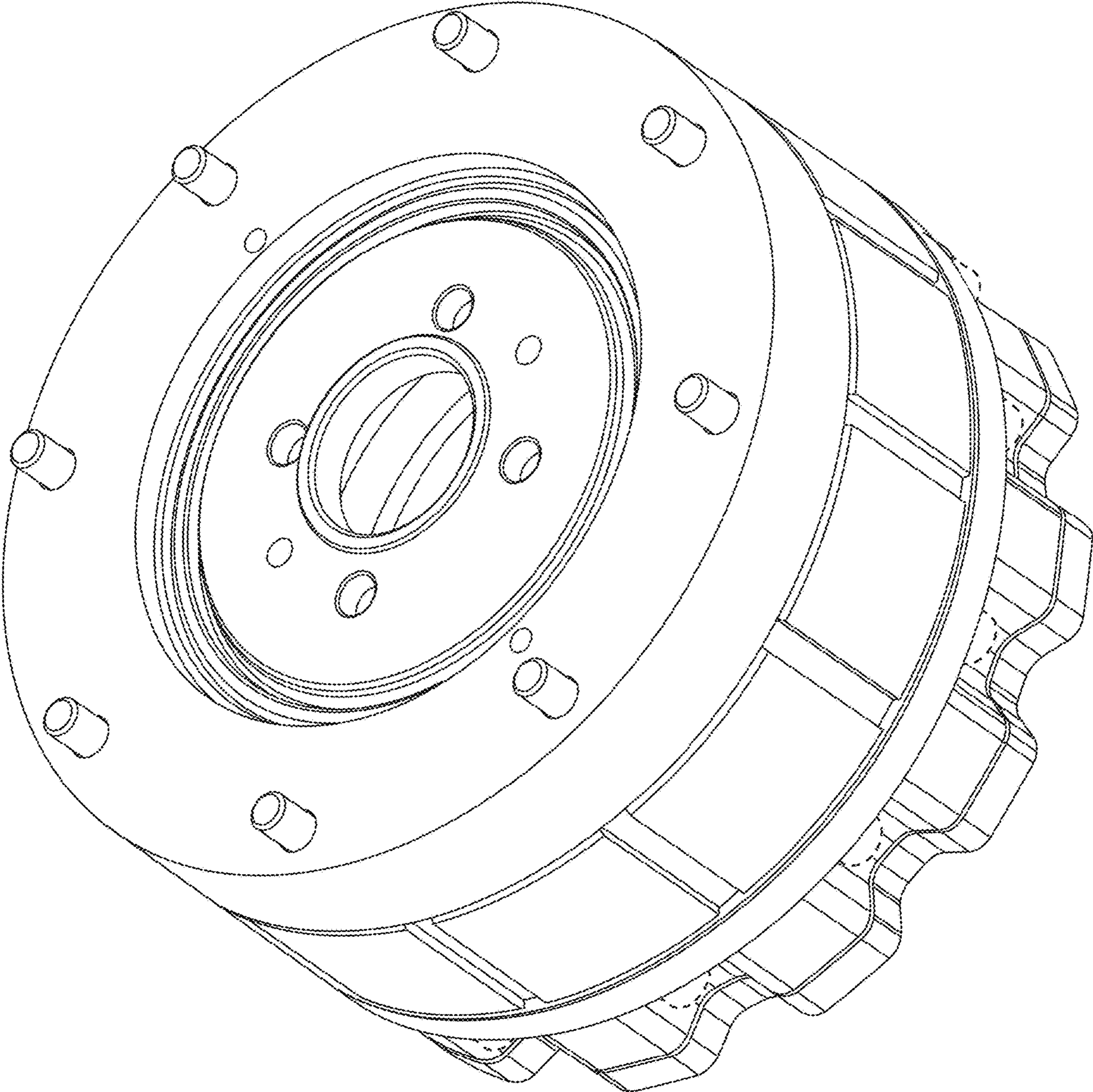


FIG. 2

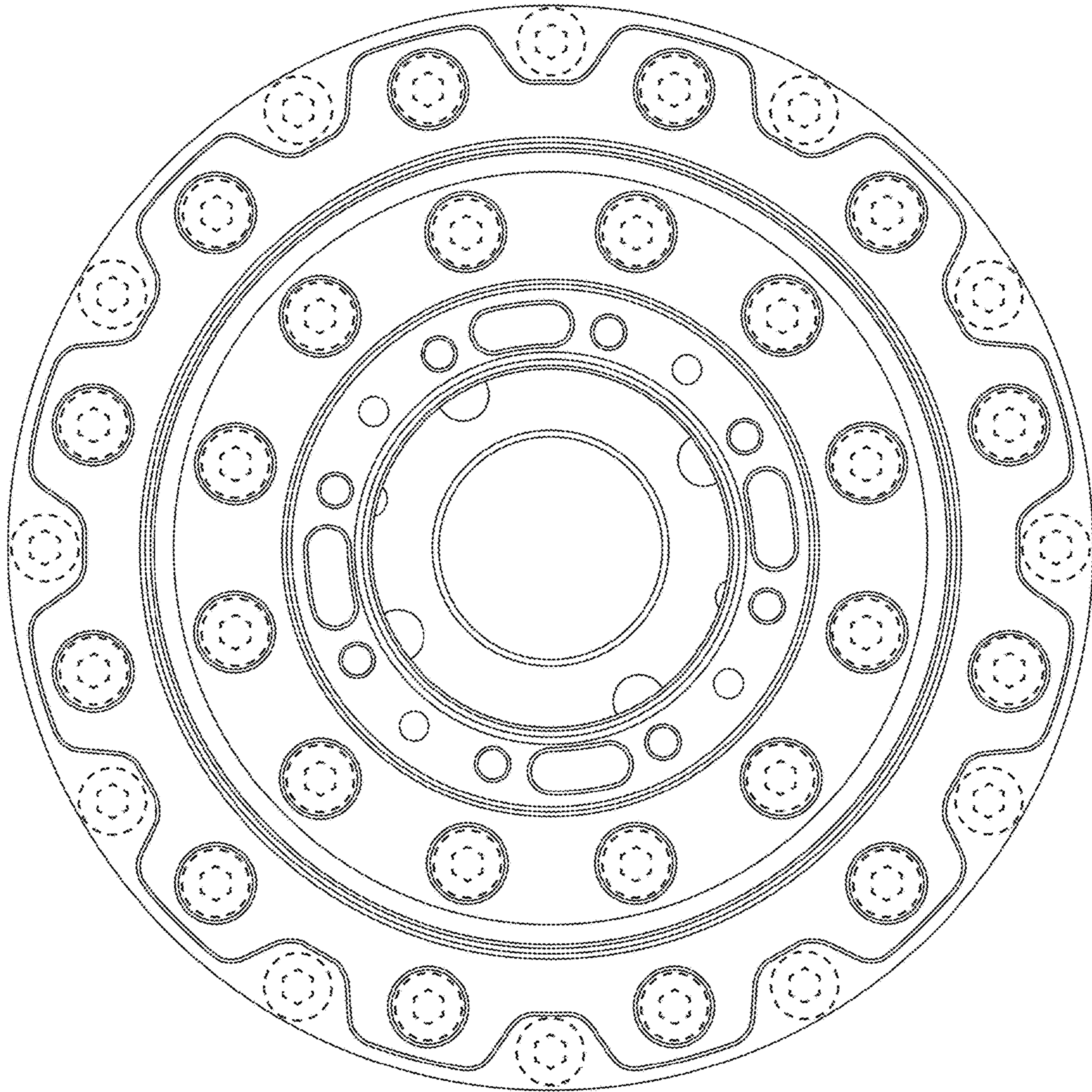


FIG. 3

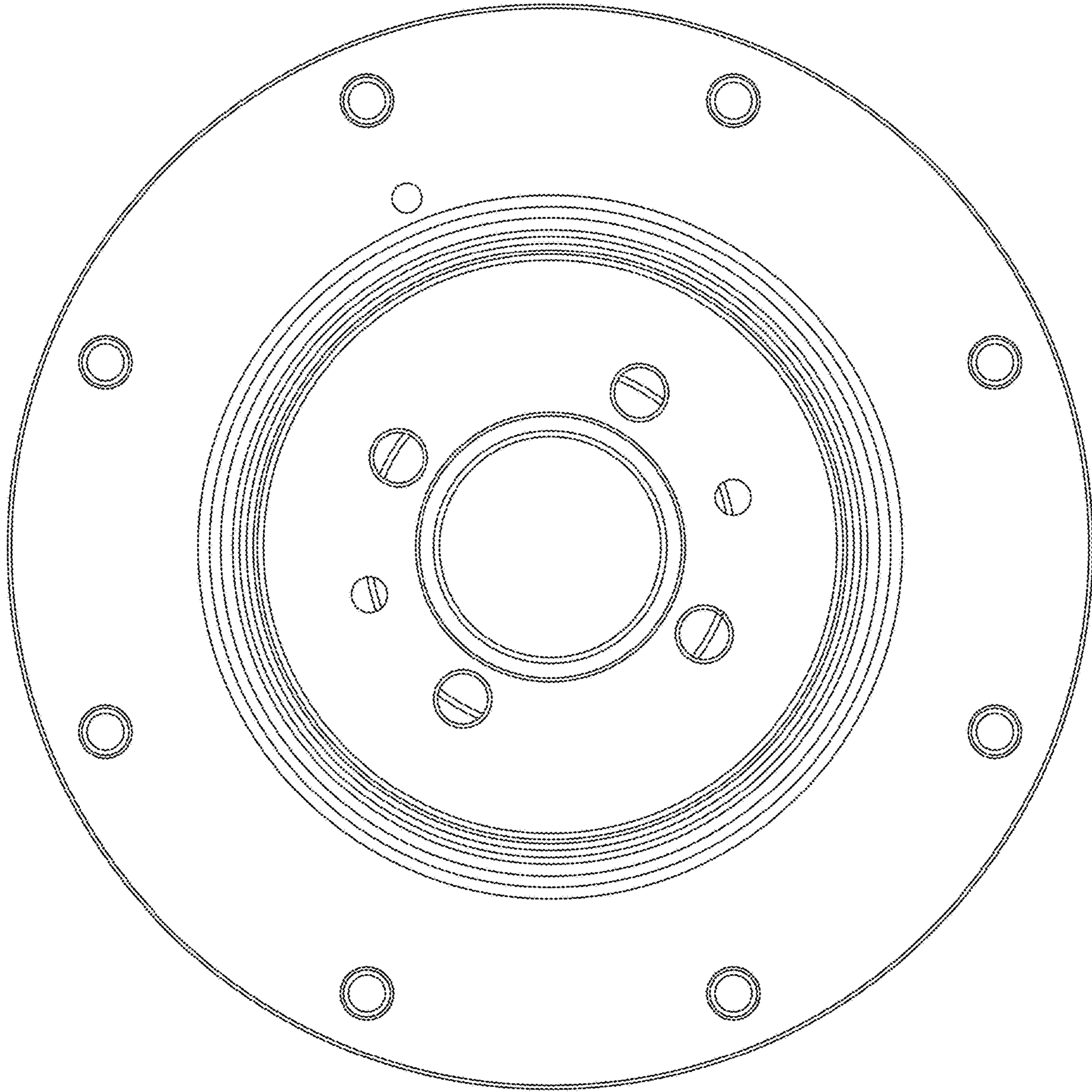


FIG. 4

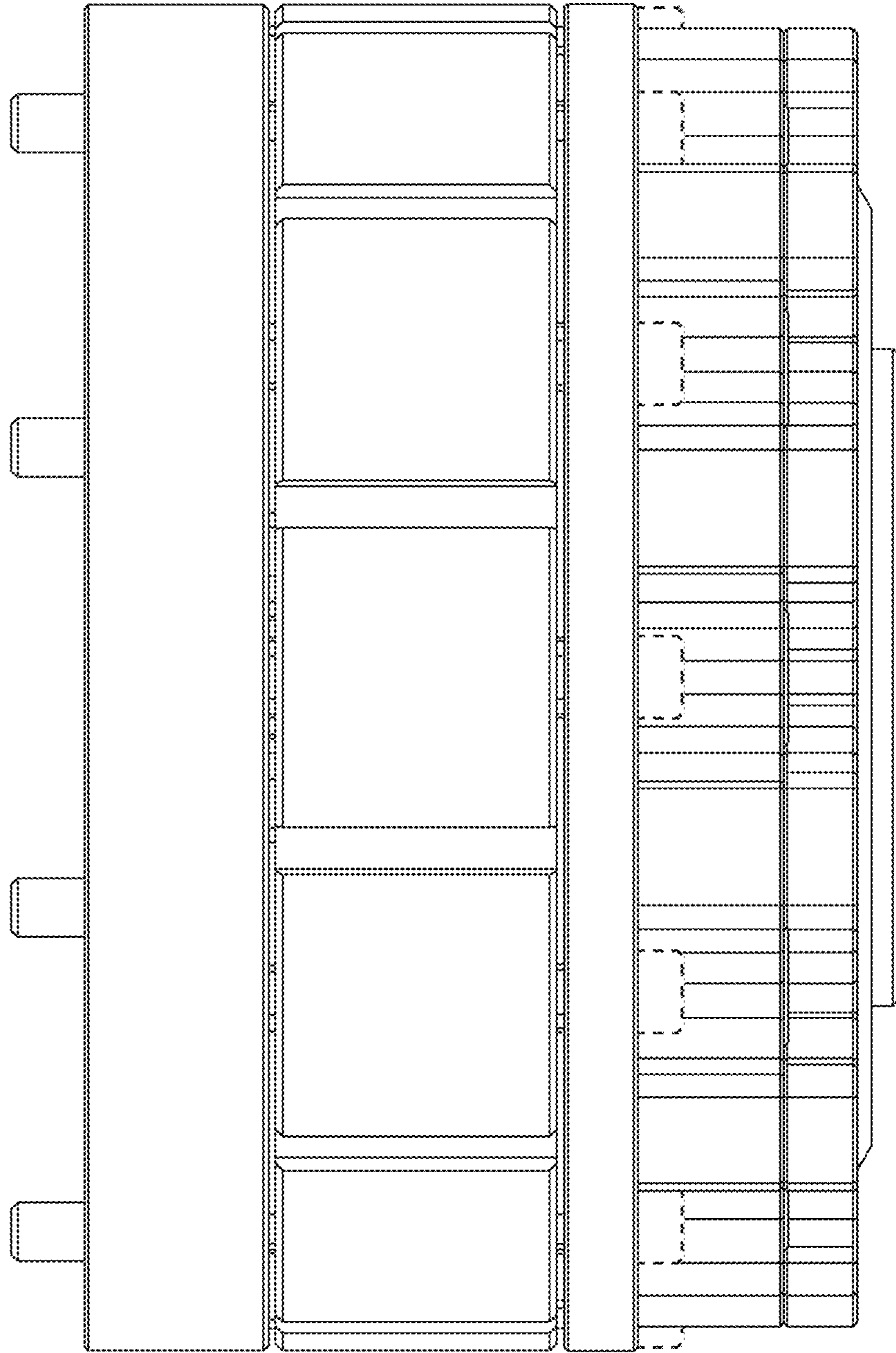


FIG. 5

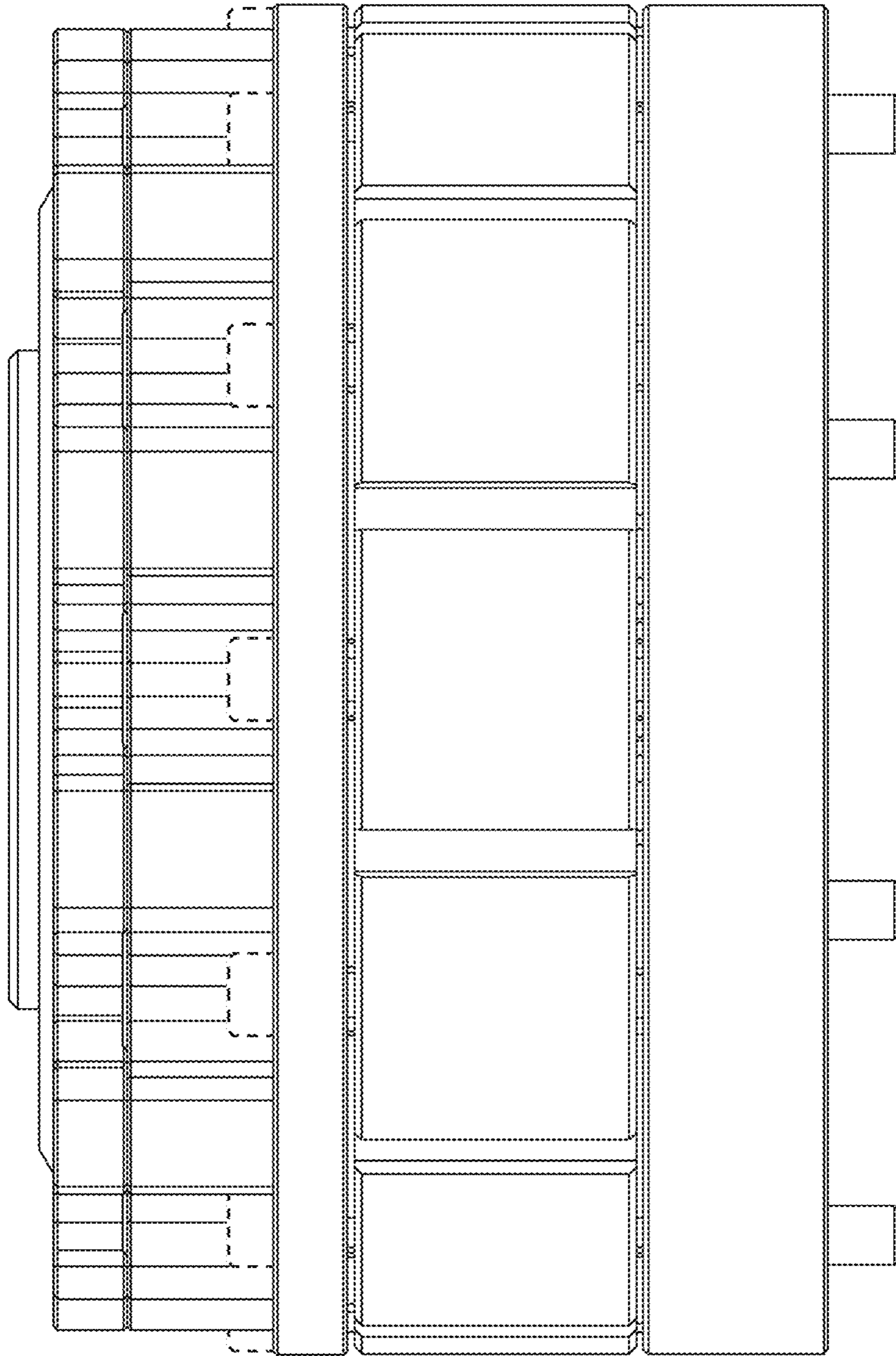


FIG. 6

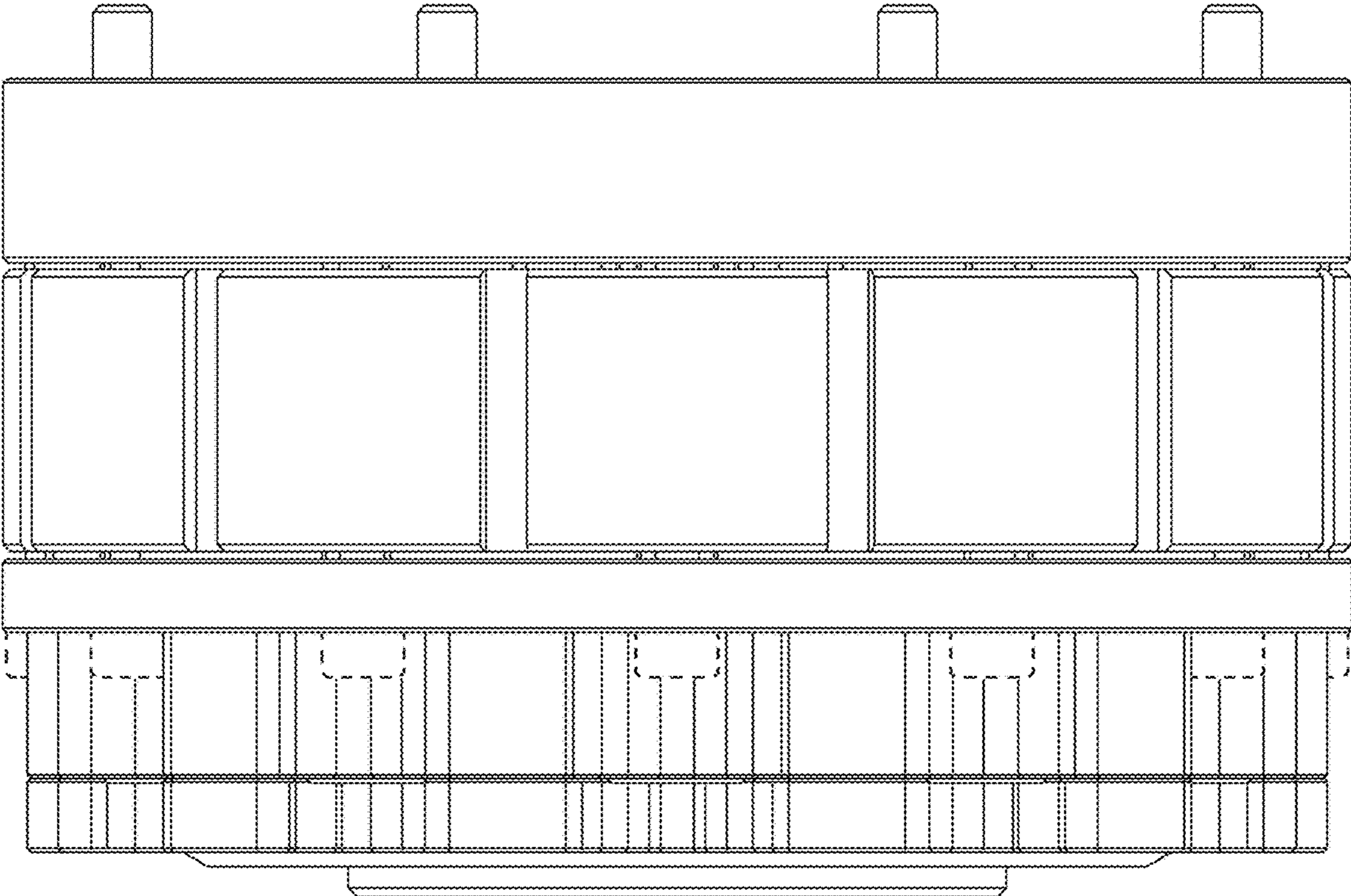


FIG. 7