



US00D908753S

(12) **United States Design Patent** (10) **Patent No.:** **US D908,753 S**
Dunaway et al. (45) **Date of Patent:** **** *Jan. 26, 2021**

(54) **CUTTING TOOL**

OTHER PUBLICATIONS

(71) Applicant: **US Synthetic Corporation**, Orem, UT (US)

Notice of Allowance for U.S. Appl. No. 29/626,328 dated Aug. 8, 2019.

(Continued)

(72) Inventors: **Tyler Scott Dunaway**, Pleasant Grove, UT (US); **Greg Carlos Topham**, Spanish Fork, UT (US)

Primary Examiner — Patricia A Palasik
(74) *Attorney, Agent, or Firm* — Dorsey & Whitney LLP

(73) Assignee: **US SYNTHETIC CORPORATION**, Orem, UT (US)

(57) **CLAIM**

The ornamental design for a cutting tool, as shown and described.

(*) Notice: This patent is subject to a terminal disclaimer.

DESCRIPTION

(**) Term: **15 Years**

FIG. 1 is a perspective view of a cutting tool, according to a first embodiment;

(21) Appl. No.: **29/723,823**

FIG. 2 is a top plan view of the cutting tool shown in FIG. 1;

(22) Filed: **Feb. 11, 2020**

FIG. 3 is a side elevational view of the cutting tool shown in FIG. 1;

Related U.S. Application Data

(63) Continuation of application No. 29/626,328, filed on Nov. 16, 2017, now Pat. No. Des. 878,436.

FIG. 4 is a side elevational view of the cutting tool rotated 180° relative to the side elevational view of FIG. 3;

(51) **LOC (13) Cl.** **15-09**

FIG. 5 is a side elevational view of the cutting tool rotated 90° angle relative to the side elevational view of FIG. 4;

(52) **U.S. Cl.**

USPC **D15/139**

FIG. 6 is a side elevational view of the cutting tool rotated 180° relative to the side elevational view of FIG. 5;

(58) **Field of Classification Search**

USPC D8/20, 70; D15/126, 131, 138, 139, 140

FIG. 7 is a perspective view of a cutting tool, according to a second embodiment;

(Continued)

FIG. 8 is a top plan view of the cutting tool shown in FIG. 7;

(56) **References Cited**

U.S. PATENT DOCUMENTS

4,830,548 A 5/1989 Kandarian
D347,012 S 5/1994 Huston et al.

(Continued)

FIG. 9 is a side elevational view of the cutting tool shown in FIG. 7;

FIG. 10 is a side elevational view of the cutting tool rotated 180° relative to the side elevational view of FIG. 9;

FIG. 11 is a side elevational view of the cutting tool rotated 90° angle relative to the side elevational view of FIG. 9; and,

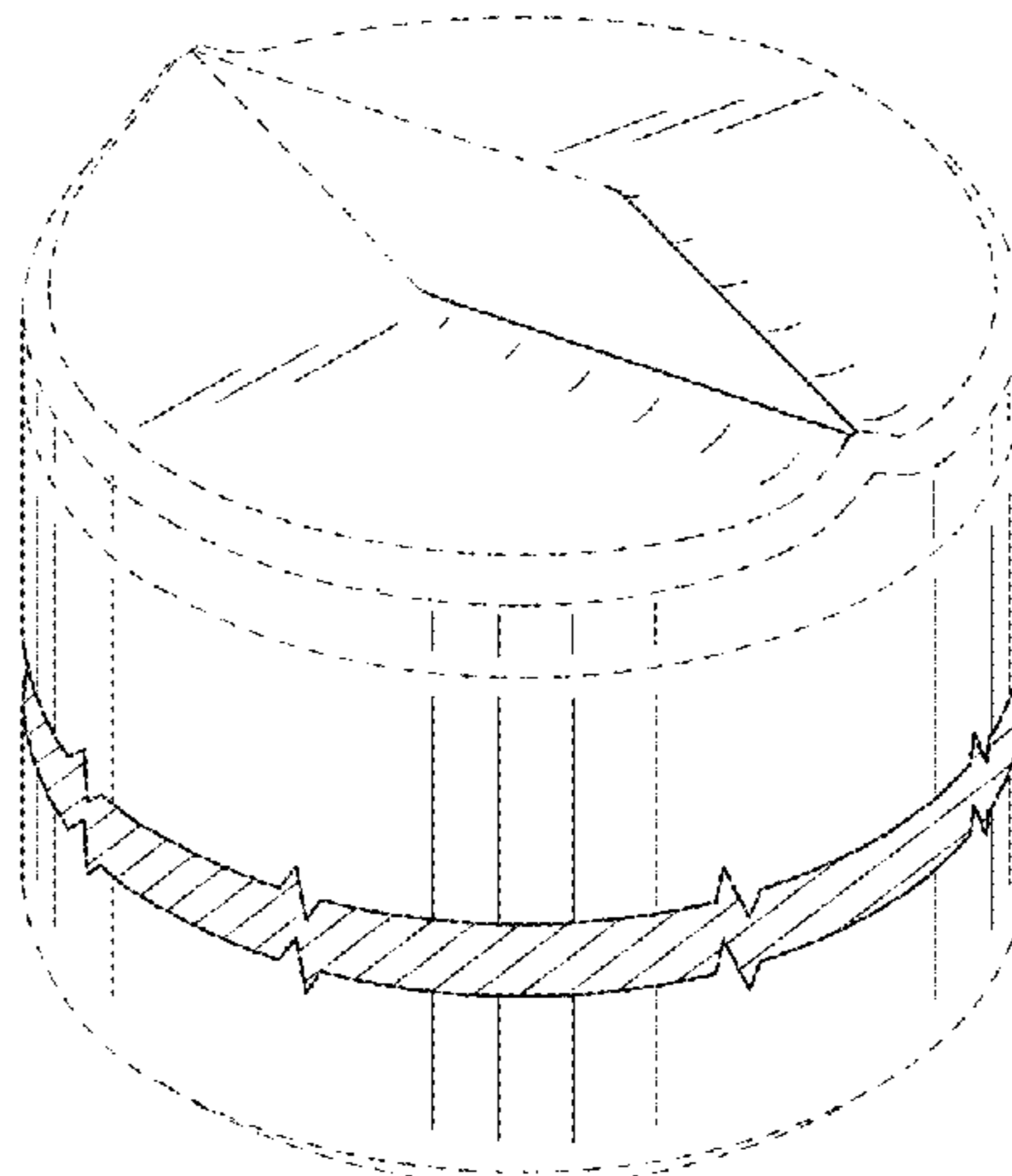
FIG. 12 is a side elevational view of the cutting tool rotated 180° relative to the side elevational view of FIG. 11.

The broken lines in the drawings depict portions of the cutting tool which form no part of the claimed design.

The bottom view of the cutting tool does not form part of the claimed design.

WO 2019128956 A1 7/2019

(Continued)



The broken away symbols in the drawings indicate that any portion of the article beyond what is shown forms no part of the claimed design.

1 Claim, 6 Drawing Sheets

(58) **Field of Classification Search**

CPC B23C 5/109; B23C 5/207
See application file for complete search history.

(56) **References Cited**

U.S. PATENT DOCUMENTS

D570,384 S	6/2008	Morozov	
D581,958 S	12/2008	Morozov	
D587,732 S	3/2009	Morozov	
D594,486 S	6/2009	Morozov	
9,103,174 B2	8/2015	Digiovanni	
9,598,909 B2	3/2017	Patel	
D835,163 S	12/2018	Mortensen et al.	
D878,436 S *	3/2020	Dunaway	D15/139

OTHER PUBLICATIONS

Notice of Allowance for U.S. Appl. No. 29/626,328 dated Nov. 14, 2019.

Restriction Requirement for U.S. Appl. No. 29/626,328 dated May 15, 2019.

Issue Notification for U.S. Appl. No. 29/626,328 dated Feb. 27, 2020.

Restriction Requirement for U.S. Appl. No. 29/723,822 dated Aug. 25, 2020.

* cited by examiner

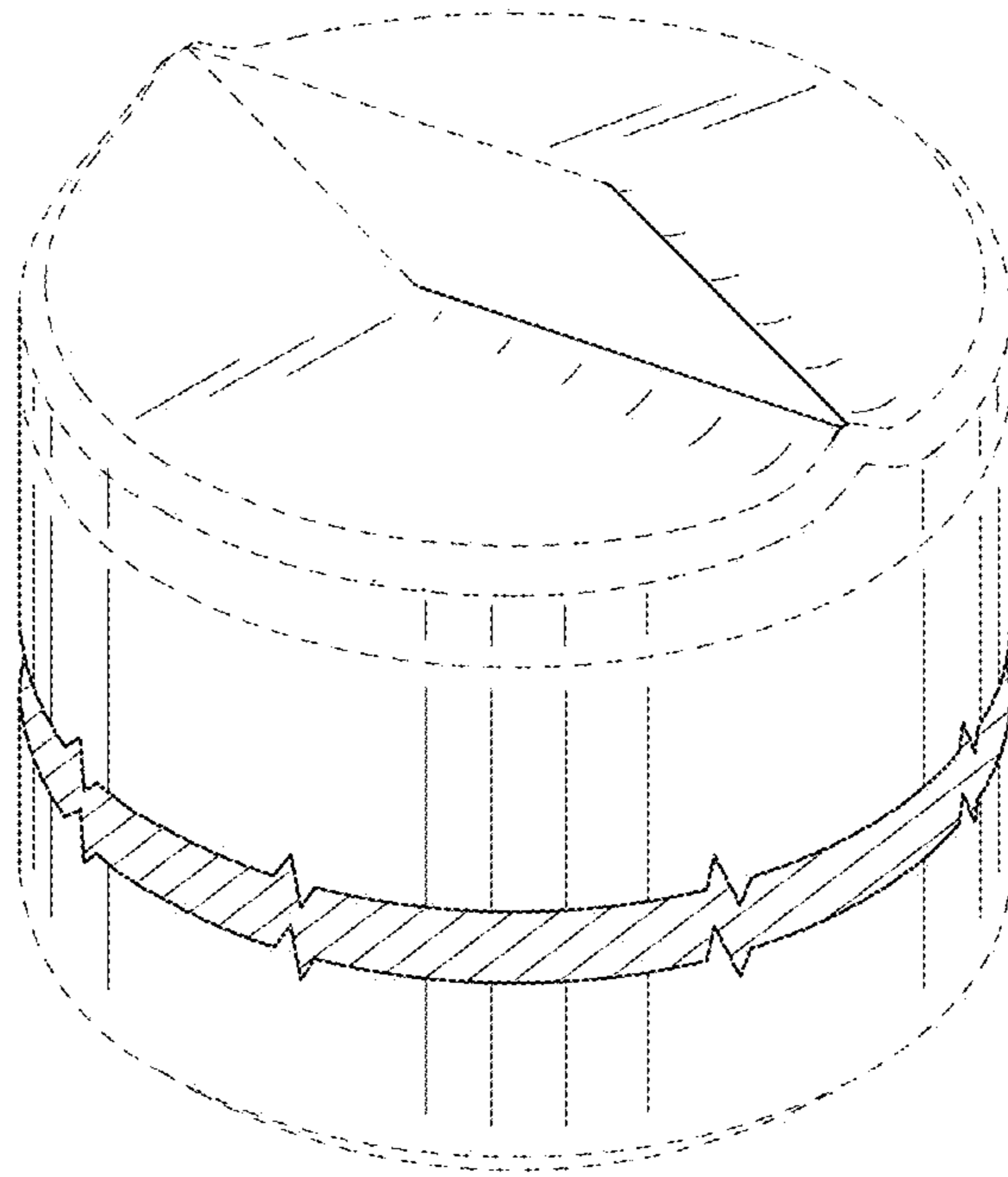


FIG. 1

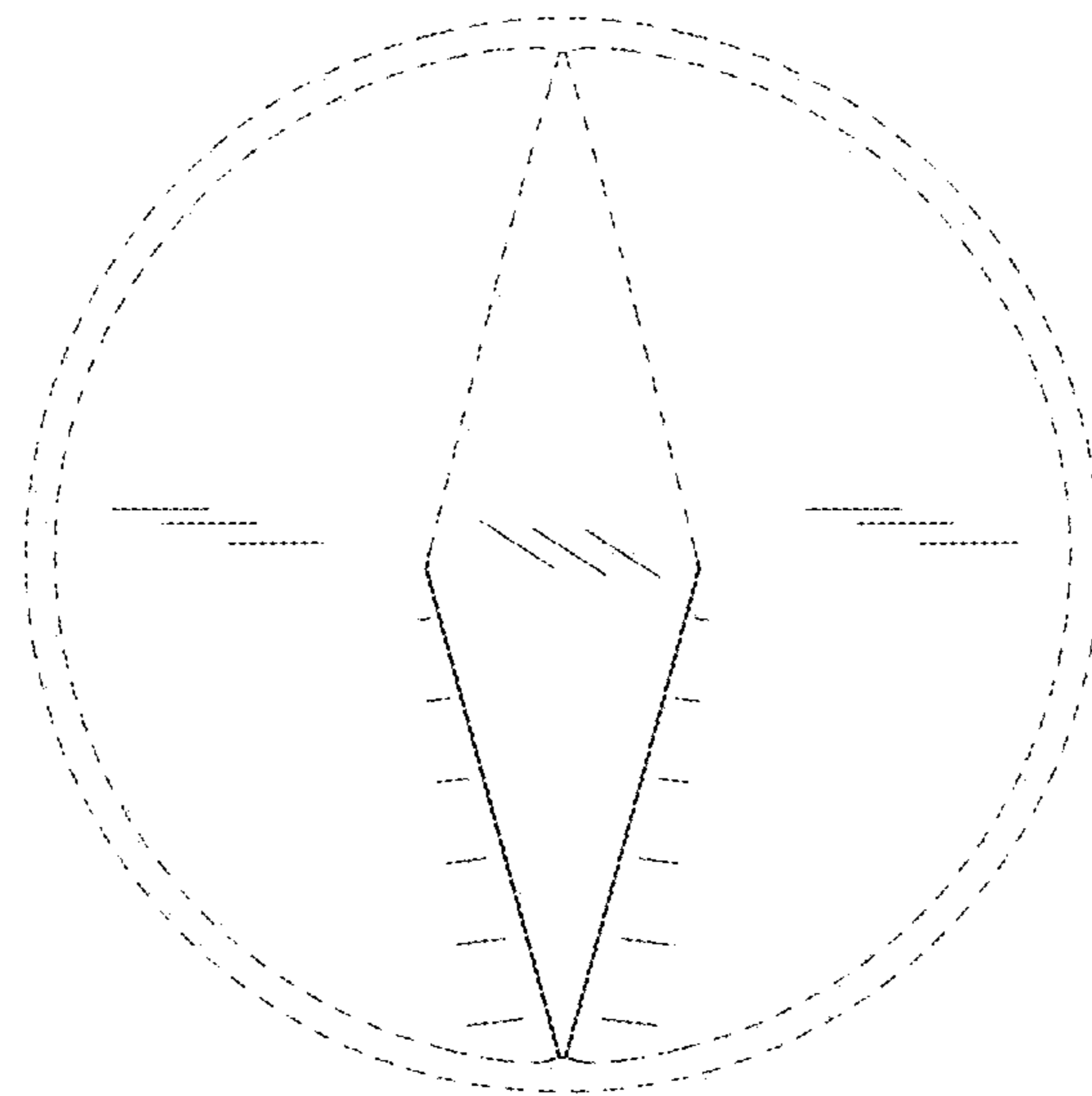


FIG. 2

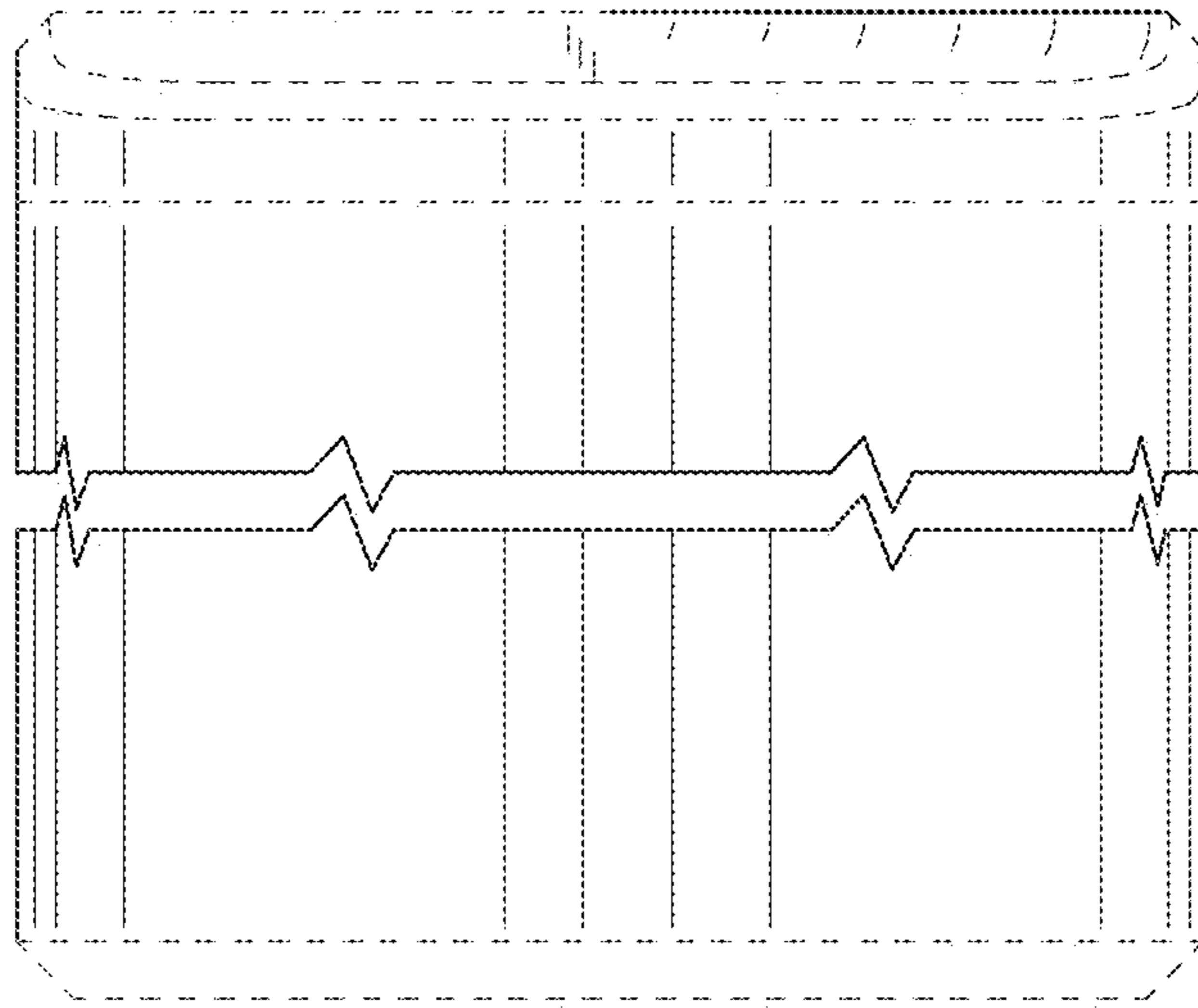


FIG. 3

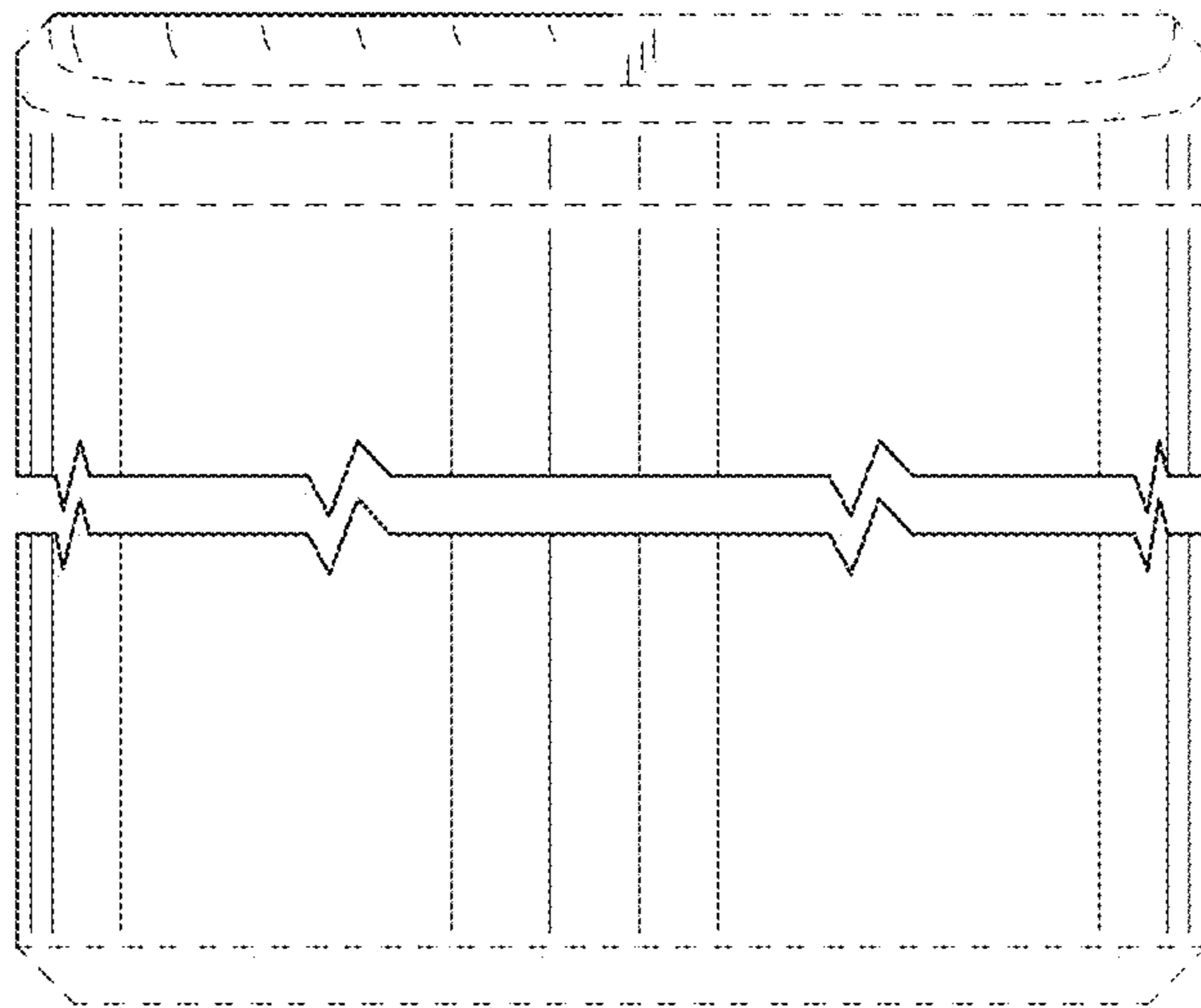


FIG. 4

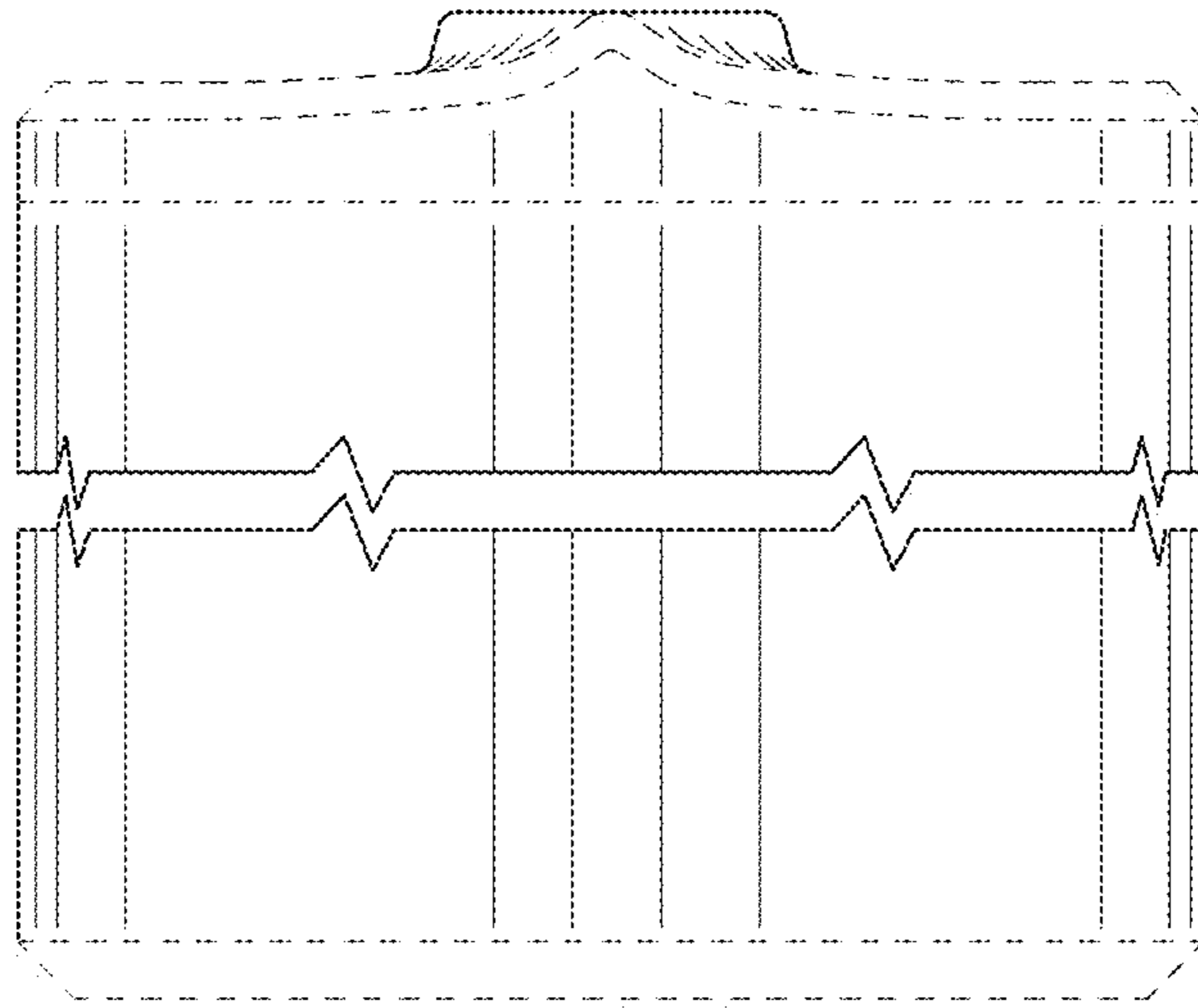


FIG. 5

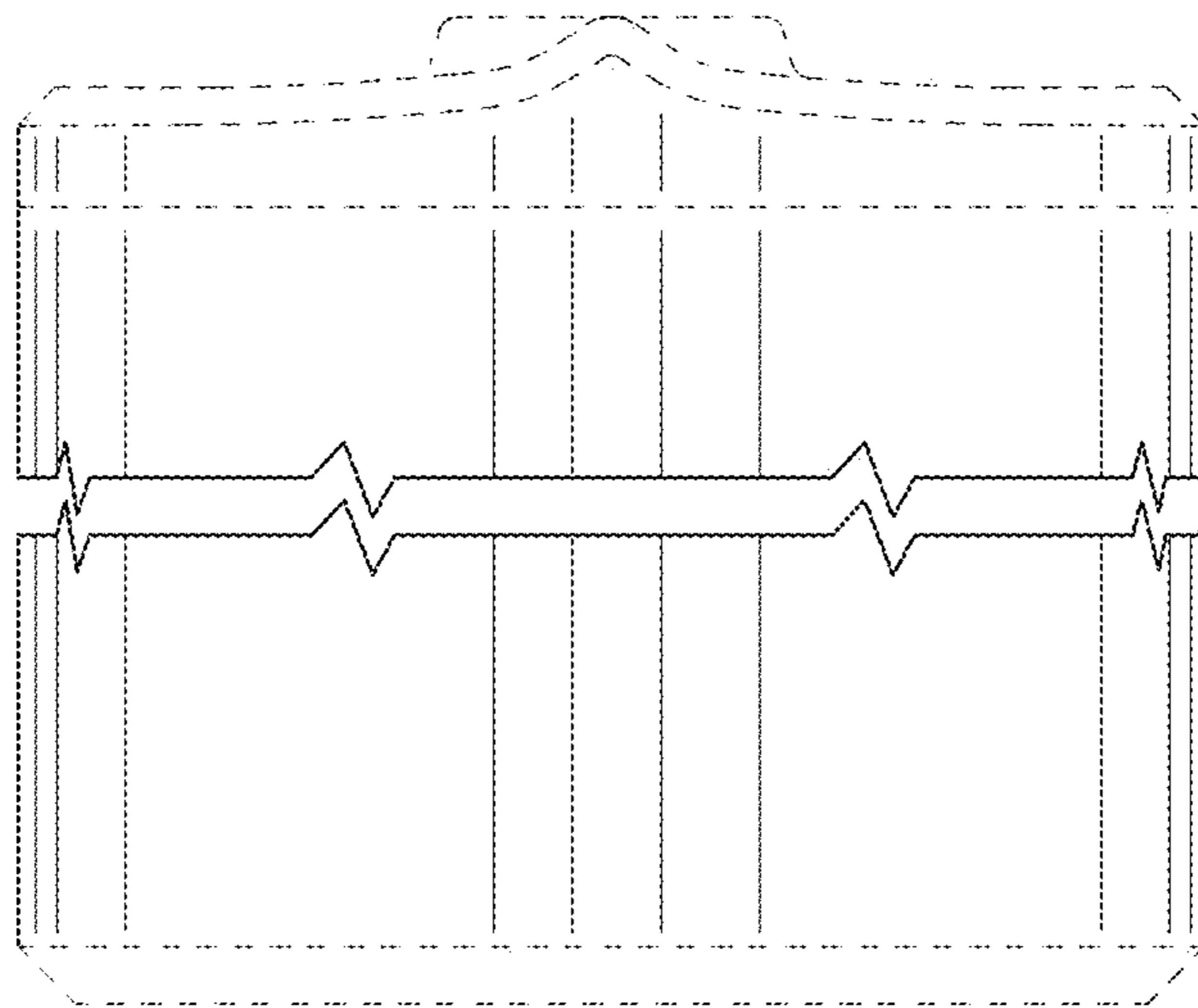


FIG. 6

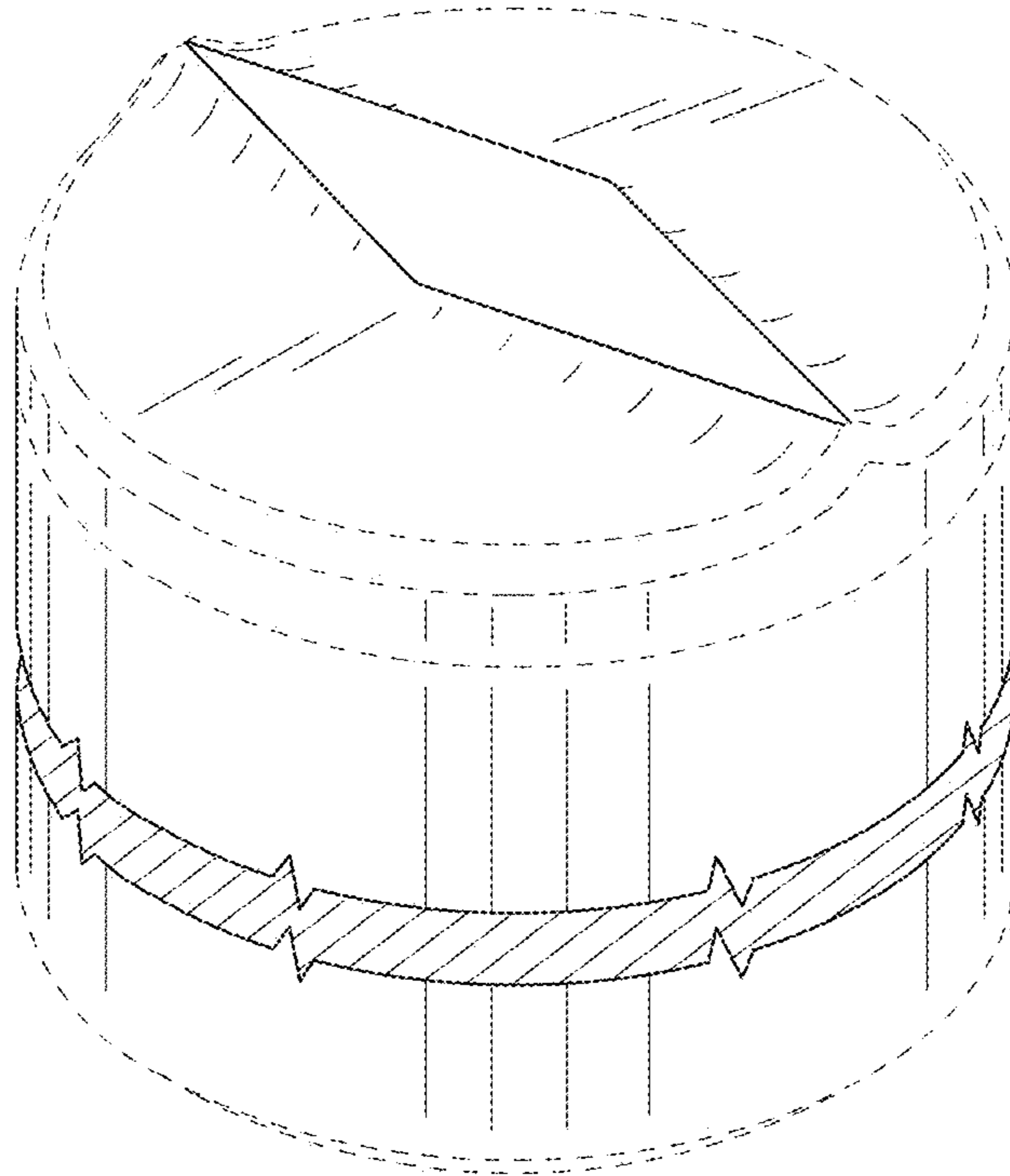


FIG. 7

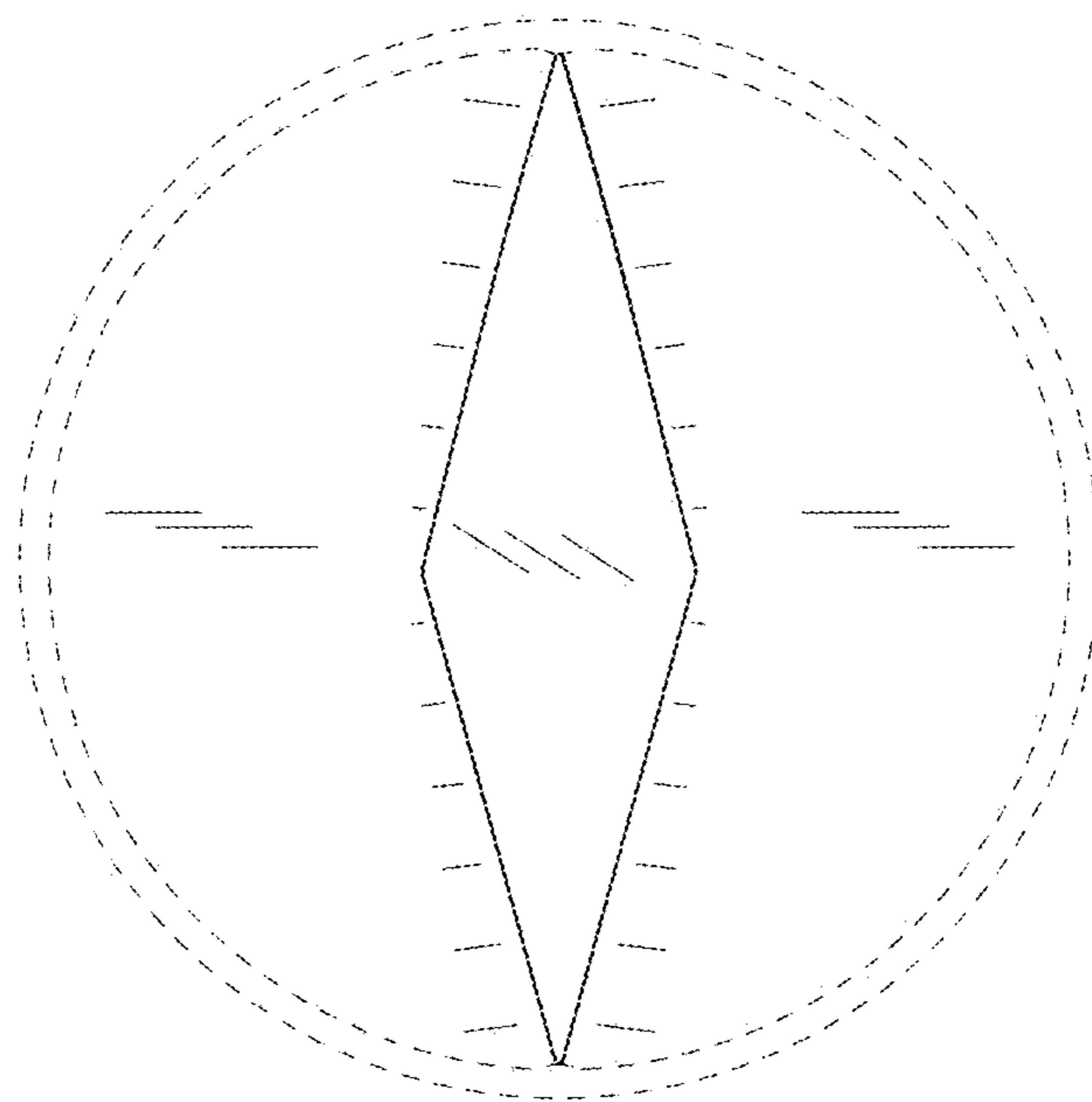


FIG. 8

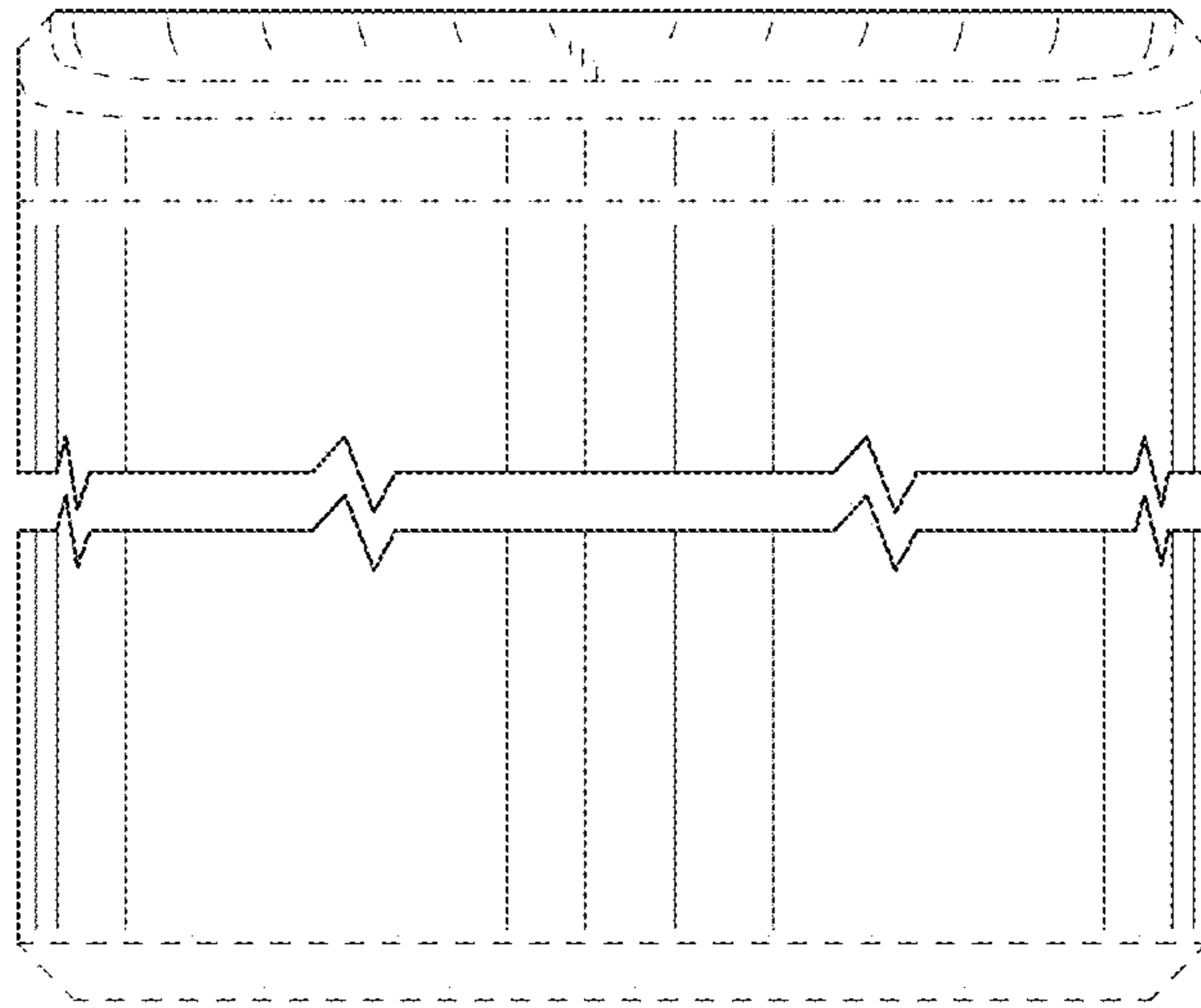


FIG. 9

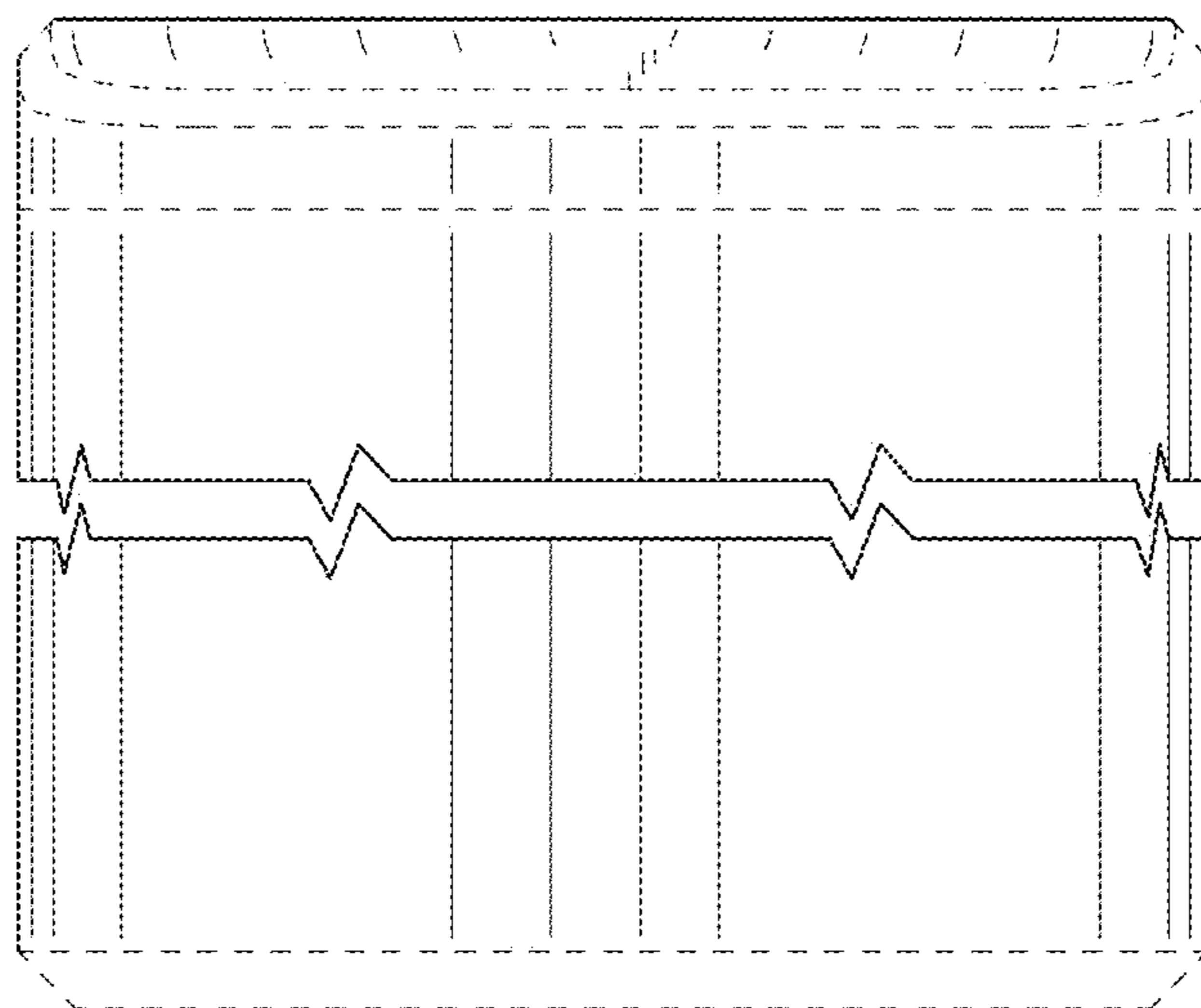


FIG. 10

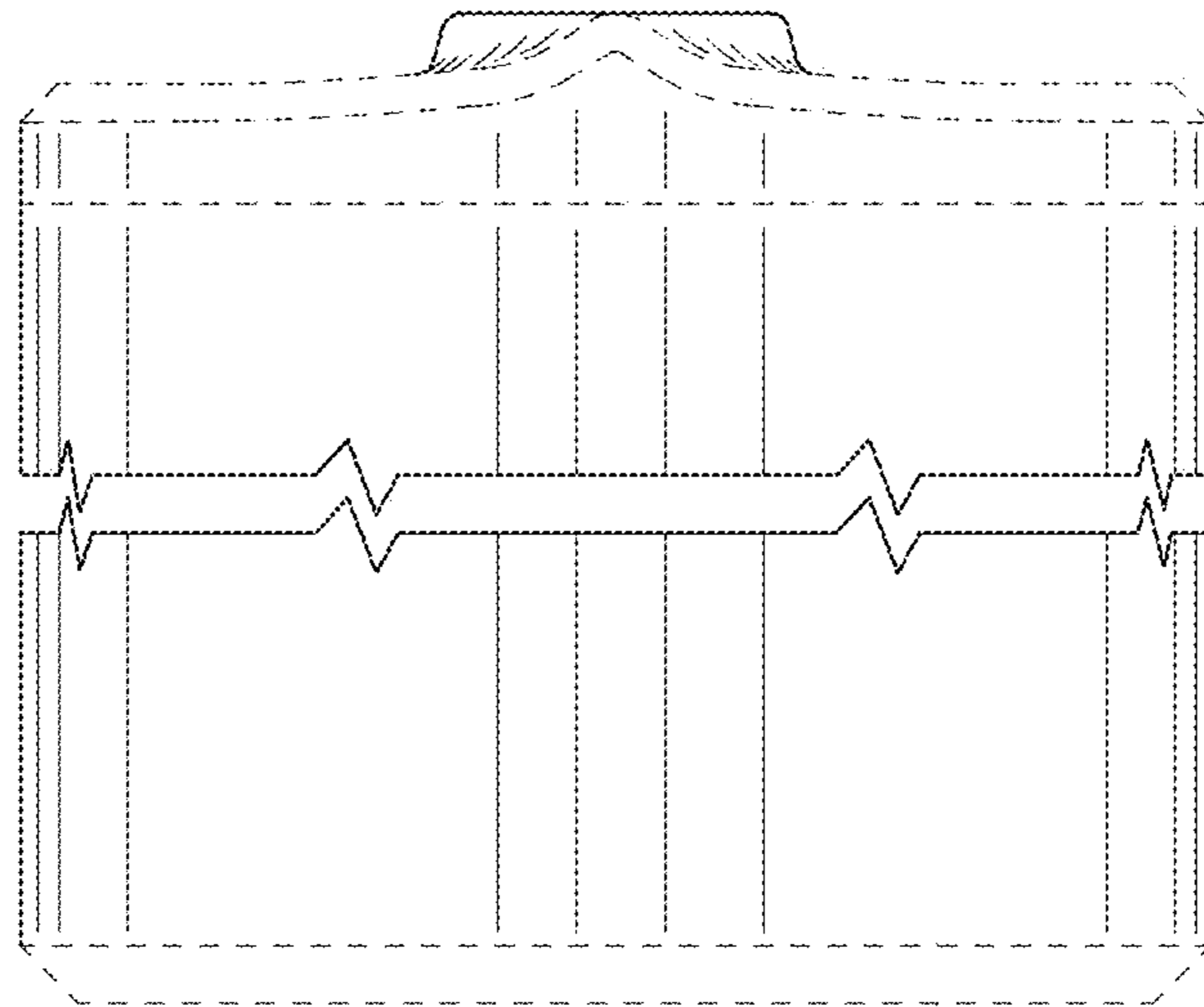


FIG. 11

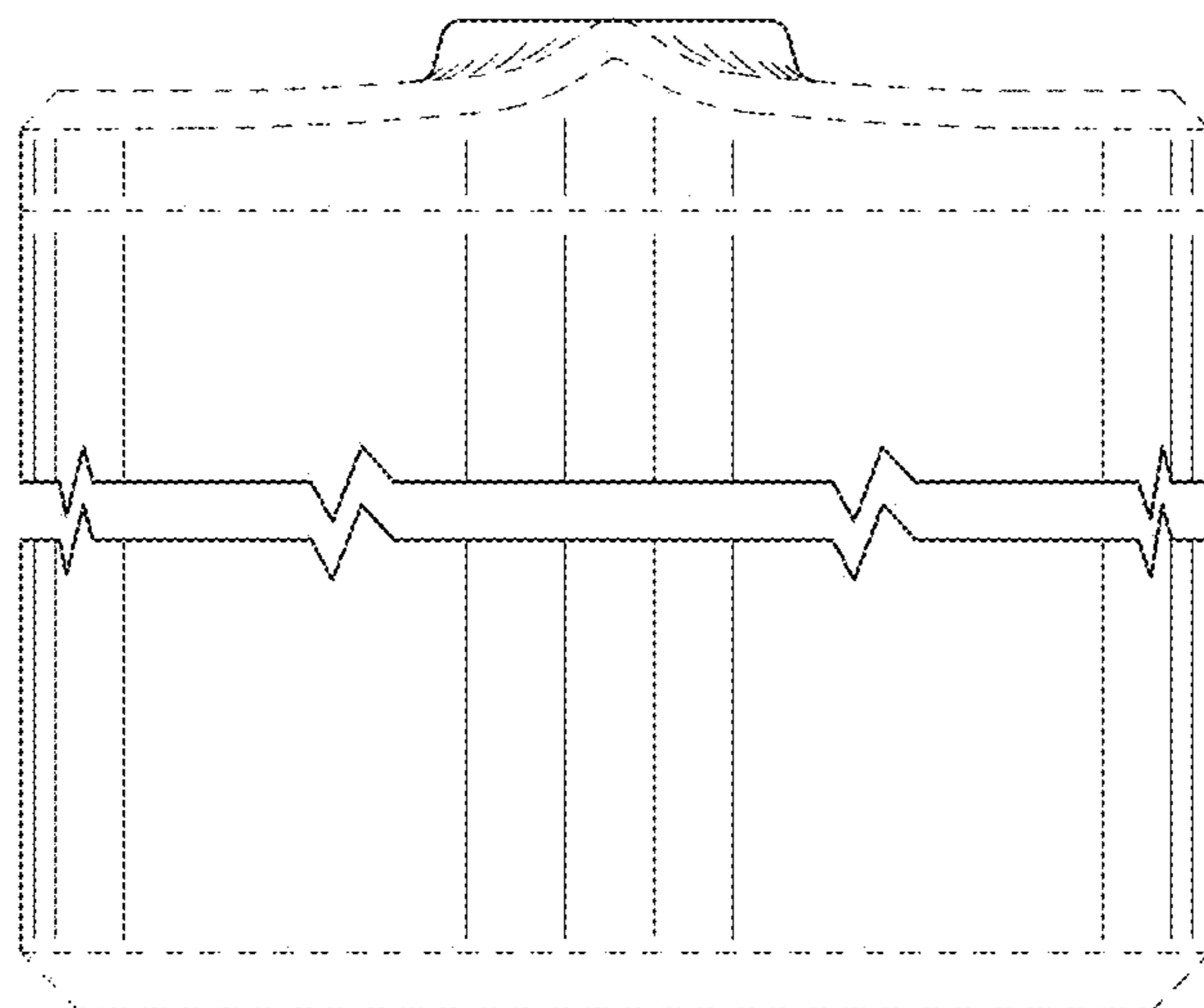


FIG. 12