



US00D908752S

(12) **United States Design Patent**  
**Nagafuchi et al.**

(10) **Patent No.:** **US D908,752 S**  
(45) **Date of Patent:** **\*\* Jan. 26, 2021**

(54) **CUTTING INSERT**

(71) Applicant: **Mitsubishi Hitachi Tool Engineering, LTD.**, Tokyo (JP)

(72) Inventors: **Kenji Nagafuchi**, Chiba (JP); **Yasuhiro Kiuchi**, Chiba (JP); **Yoshiyuki Kobayashi**, Chiba (JP)

(73) Assignee: **Mitsubishi Hitachi Tool Engineering, ltd**, Tokyo (JP)

(\*\*) Term: **15 Years**

(21) Appl. No.: **29/710,097**

(22) Filed: **Oct. 21, 2019**

**Related U.S. Application Data**

(62) Division of application No. 35/505,732, filed on Mar. 23, 2018 (U.S. filing date under 35 U.S.C. 384), and having an international filing date of Mar. 23, 2018, now Pat. No. Des. 894,982.

(51) **LOC (13) Cl.** ..... **15-09**

(52) **U.S. Cl.**  
USPC ..... **D15/139**  
CPC ..... **B23B 27/145** (2013.01)

(58) **Field of Classification Search**  
USPC ..... D15/124–144; D8/70, 90, 98; 407/59, 407/114; 409/139–140  
CPC ... B23C 5/06; B23C 5/202; B23C 2200/0455; B23C 2200/081; B23C 2200/087; B23C 2200/206; B23C 2210/66; B23B 2200/0471; B23B 2200/081; B23B 2200/086; B23B 27/145; Y10T 407/245  
See application file for complete search history.

(56) **References Cited**

**U.S. PATENT DOCUMENTS**

D347,642 S \* 6/1994 Lindberg ..... D15/139  
D379,360 S \* 5/1997 Satran ..... D15/139

D388,444 S \* 12/1997 Satran ..... D15/139  
D404,406 S \* 1/1999 Satran ..... D15/139  
6,217,264 B1 \* 4/2001 Kim ..... B23B 27/145  
407/114  
D485,852 S \* 1/2004 Arvidsson ..... D15/139  
D486,505 S \* 2/2004 Arvidsson ..... D15/139  
D487,281 S \* 3/2004 Roman ..... D15/139  
6,957,935 B2 \* 10/2005 Sung ..... B23C 5/202  
407/113  
D637,214 S \* 5/2011 Saito ..... D15/139  
D638,041 S \* 5/2011 Saito ..... D15/139  
8,177,460 B2 \* 5/2012 Satran ..... B23C 5/2213  
407/113  
8,419,320 B2 \* 4/2013 Sung ..... B23C 5/202  
407/113  
D688,716 S \* 8/2013 Lampe ..... D15/139  
8,727,675 B2 \* 5/2014 Nam ..... B23C 5/06  
407/113  
8,876,440 B2 \* 11/2014 Nam ..... B23C 5/06  
407/113  
D736,841 S \* 8/2015 Jung ..... D15/139

(Continued)

*Primary Examiner* — Richard E Chilcot  
(74) *Attorney, Agent, or Firm* — Banner & Witcoff, Ltd.

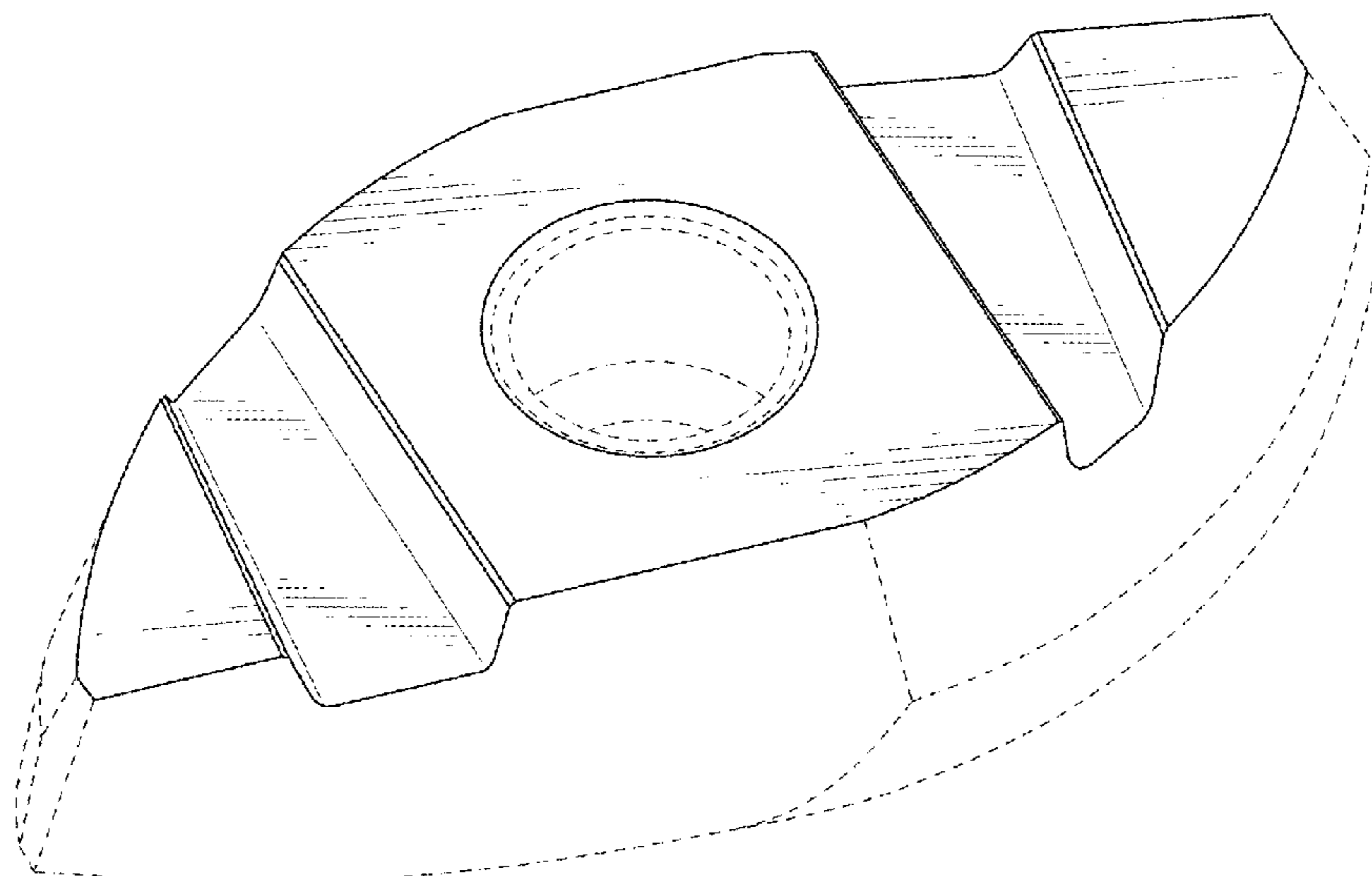
(57) **CLAIM**

The ornamental design for a cutting insert, as shown and described.

**DESCRIPTION**

FIG. 1 is a front perspective view of a cutting insert showing our new design;  
FIG. 2 is a rear perspective view thereof;  
FIG. 3 is a top plan view thereof;  
FIG. 4 is a bottom plan view thereof;  
FIG. 5 is a front elevation view thereof;  
FIG. 6 is a rear elevation view thereof;  
FIG. 7 is a left side elevation view thereof; and,  
FIG. 8 is a right side elevation view thereof.  
The broken lines shown in the drawings illustrate portions of the cutting insert that form no part of claimed design.

**1 Claim, 8 Drawing Sheets**



(56)

**References Cited**

U.S. PATENT DOCUMENTS

D748,703	S	*	2/2016	Nam	.....	D15/139
D752,664	S	*	3/2016	Jung	.....	D15/139
D755,267	S	*	5/2016	Lee	.....	D15/139
D771,726	S	*	11/2016	Nam	.....	D15/139
D772,318	S	*	11/2016	Nam	.....	D15/139
D772,319	S	*	11/2016	Nam	.....	D15/139
D772,963	S	*	11/2016	Nam	.....	D15/139
9,545,672	B2	*	1/2017	Lee	.....	B23B 27/1611
9,623,486	B2	*	4/2017	Nam	.....	B23B 27/145
D816,133	S	*	4/2018	Mura	.....	D15/139
D816,134	S	*	4/2018	Mura	.....	D15/139
D826,664	S	*	8/2018	Matsubara	.....	D8/20
D828,414	S	*	9/2018	Takahashi	.....	D15/139
D853,456	S	*	7/2019	Aizawa	.....	D15/138

\* cited by examiner

FIG. 1

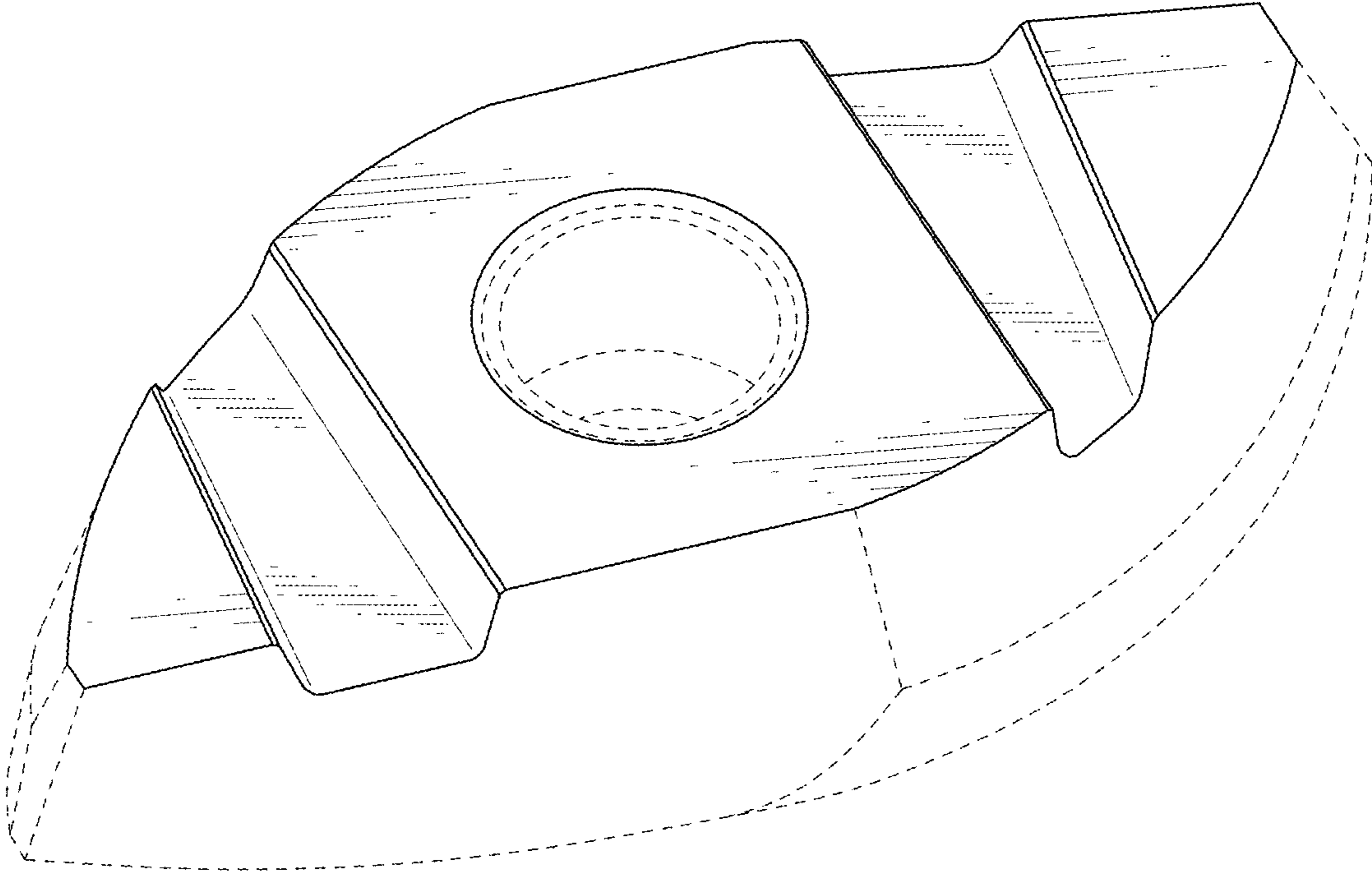


FIG. 2

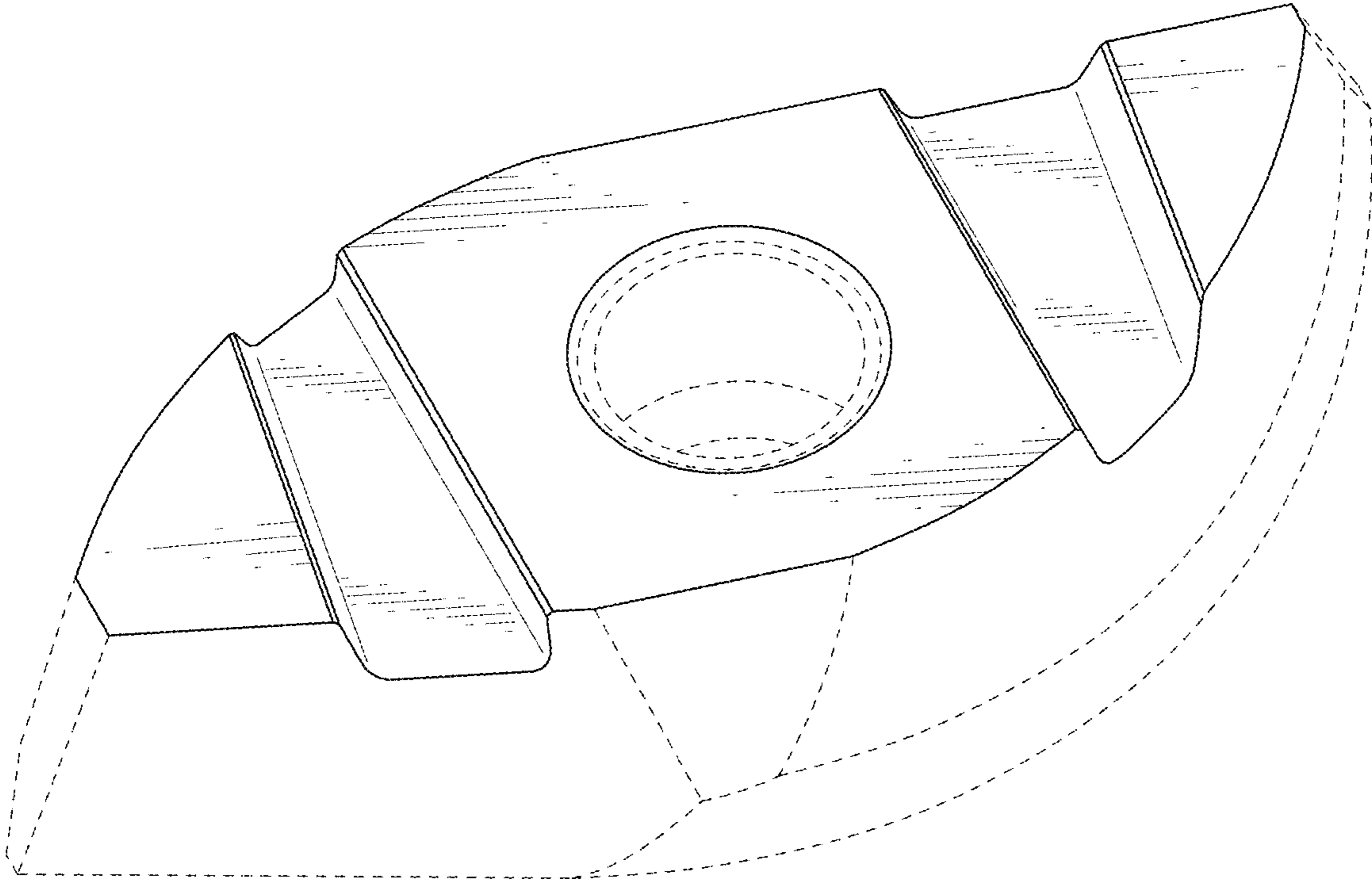


FIG. 3

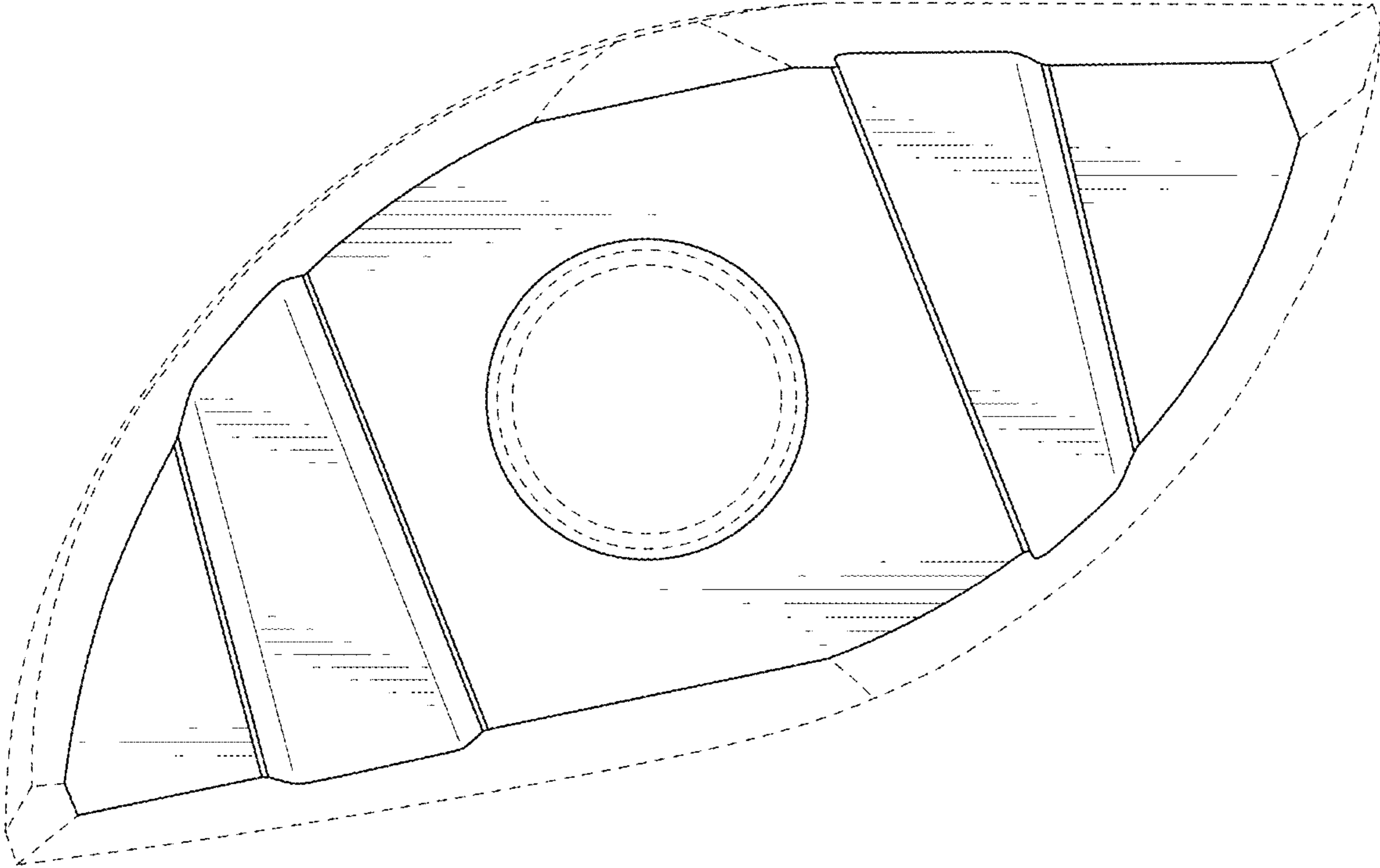


FIG. 4

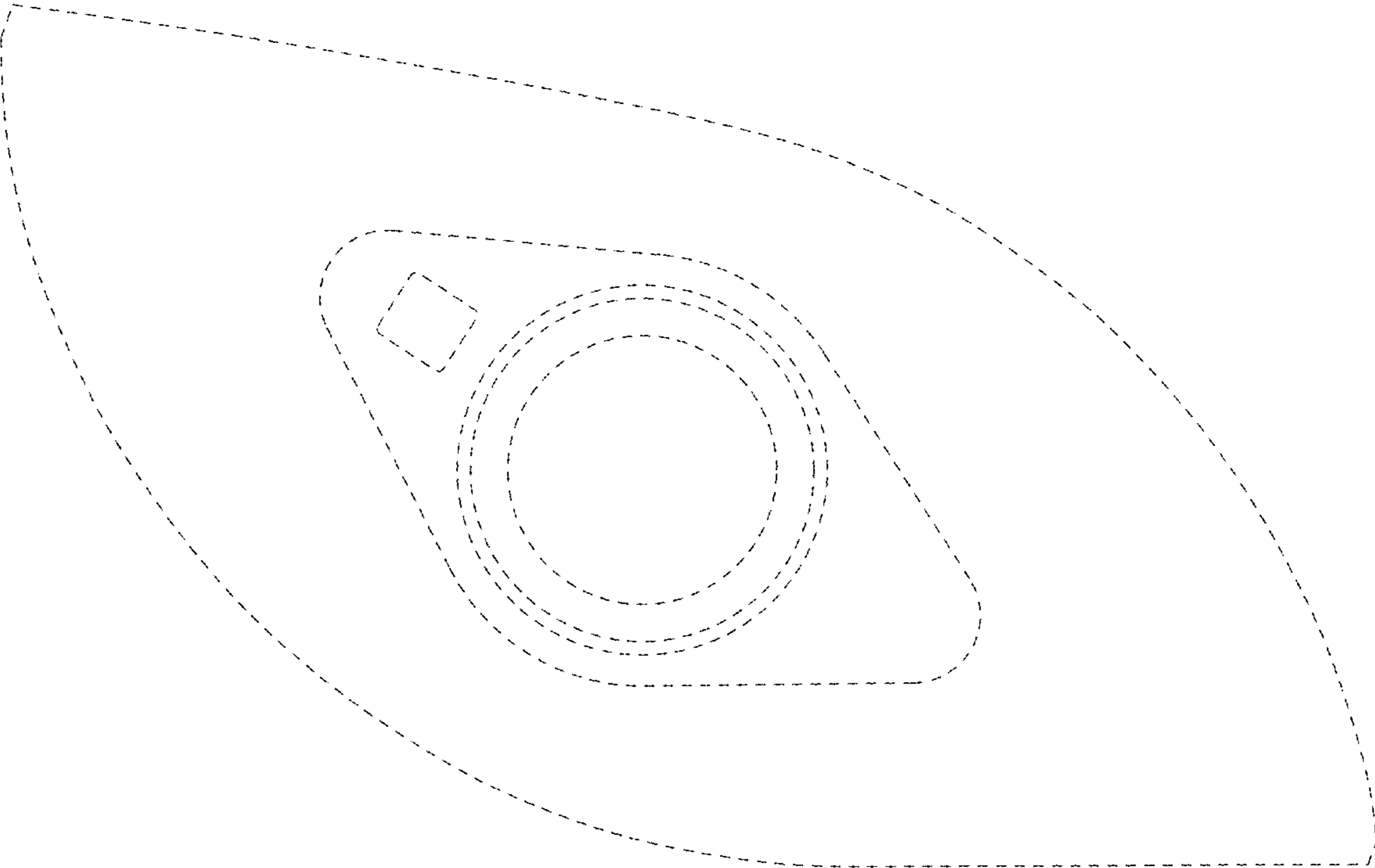


FIG. 5

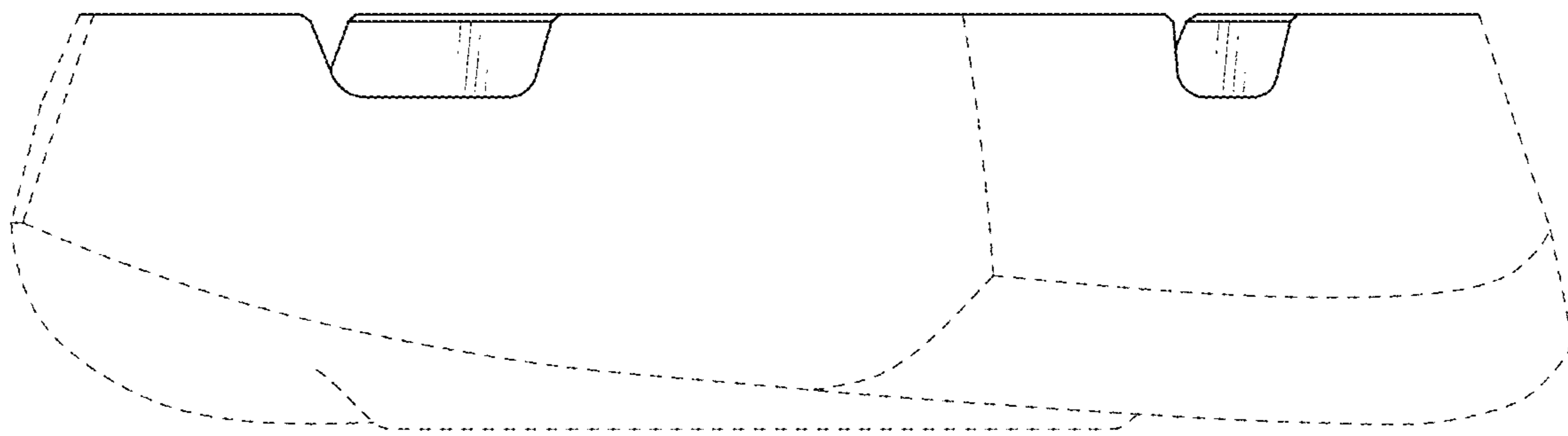


FIG. 6

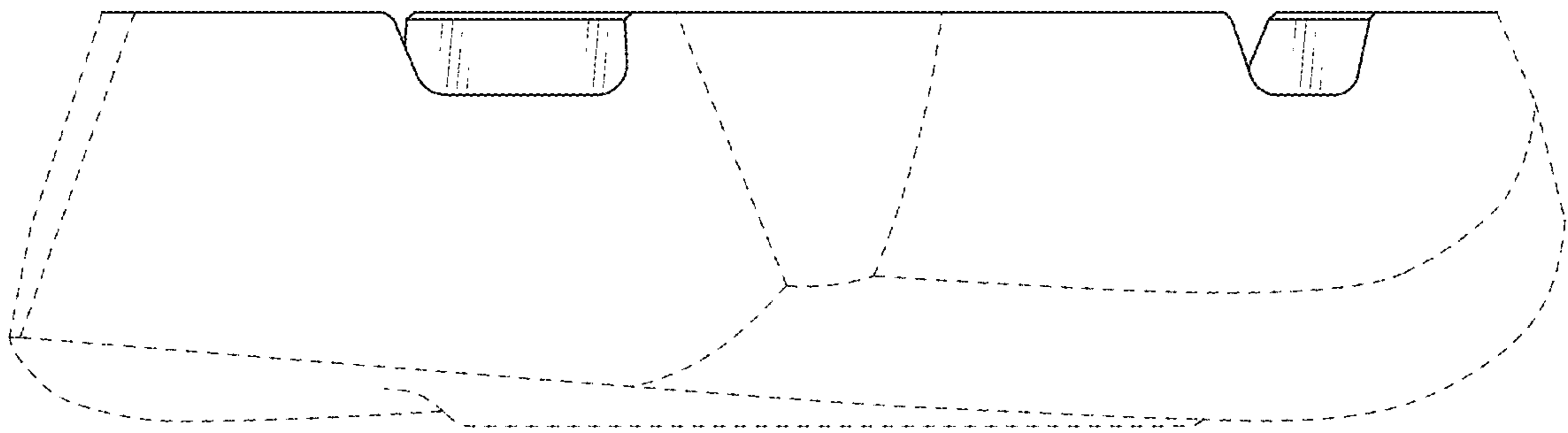




FIG. 7

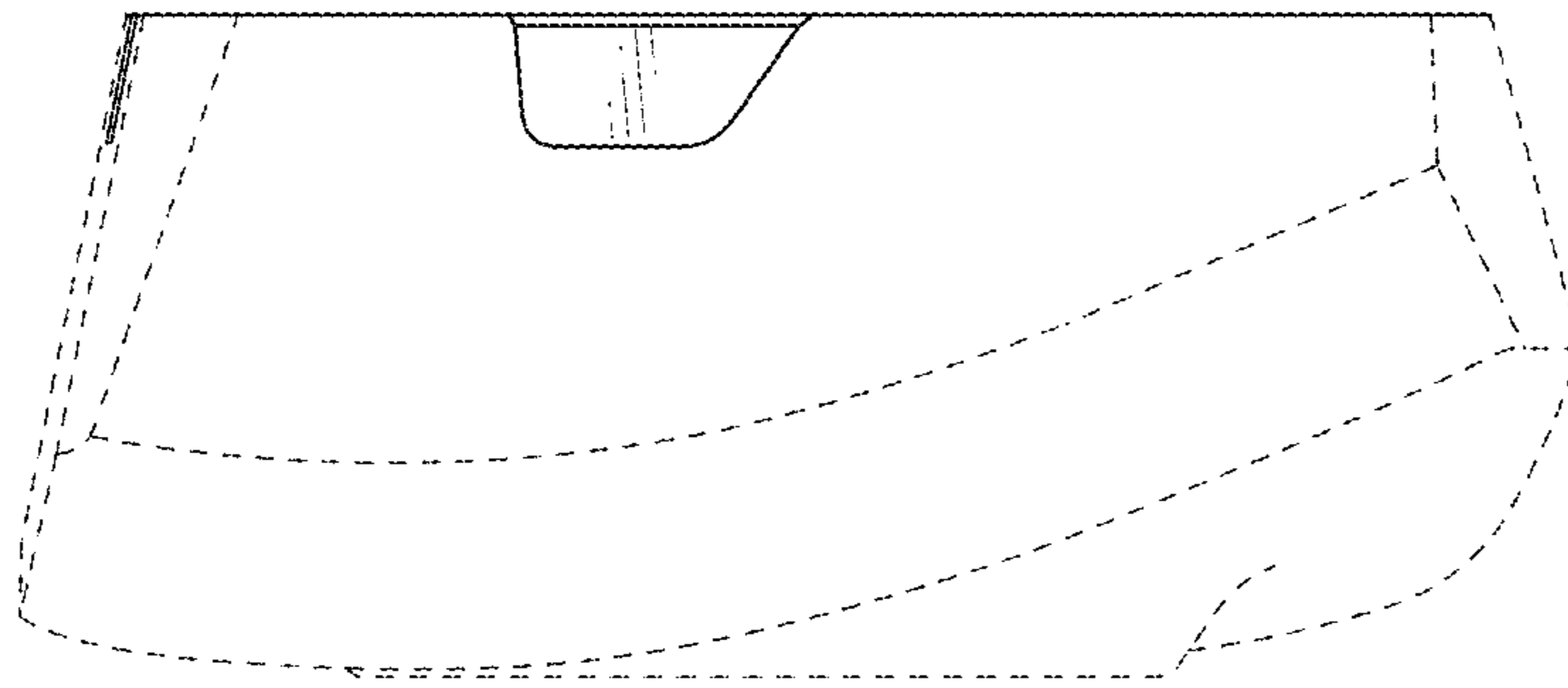


FIG. 8

