



US00D908750S

(12) **United States Design Patent** (10) **Patent No.:** **US D908,750 S**
Oliver Gonzalez et al. (45) **Date of Patent:** **** Jan. 26, 2021**

(54) **3D PRINTER BUILD UNIT**

(71) Applicant: **Hewlett-Packard Development Company, L.P.**, Spring, TX (US)

(72) Inventors: **Andreu Oliver Gonzalez**, Barcelona (ES); **Marti Cot Ponti**, Barcelona (ES); **Javier Alfonso Cesar Brito**, Barcelona (ES)

(73) Assignee: **Hewlett-Packard Development Company, L.P.**, Spring, TX (US)

(**) Term: **15 Years**

(21) Appl. No.: **29/686,905**

(22) Filed: **Apr. 9, 2019**

(51) **LOC (13) Cl.** **15-09**

(52) **U.S. Cl.**
USPC **D15/122**

(58) **Field of Classification Search**
USPC D15/122, 135, 138, 141; D18/14, 19, 50, D18/54, 54.1, 55, 59
CPC B22F 3/105; B22F 3/008; B29C 35/00; B29C 35/02; B29C 35/04; B29C 35/06; B29C 35/08; B29C 35/10; B29C 35/12; B29C 35/14; B29C 35/16; B29C 35/18; B29C 37/00; B29C 37/02; B29C 37/04; B29C 67/00; B29C 67/02; B29C 67/04; B29C 67/06; B29C 67/08; B29C 67/20; B29C 67/24; B29C 69/00; B29C 69/02; B29C 70/00; B29C 70/02; B29C 70/04; B29C 70/06; B29C 70/08; B29C 70/10; B29C 70/12; B29C 70/14; B29C 70/16; B29C 70/18; B29C 70/20; B29C 70/22; B29C 70/24; B29C 70/26; B29C 70/28; B29C 41/12; B29C 41/36; B29C 67/0081; B41J 2/155; B41J 2/17513; B41J 2/17556; B41J 2/17596; B41J 2/16552; B41J

(Continued)

(56) **References Cited**

U.S. PATENT DOCUMENTS

D305,822 S * 1/1990 Kolvites D34/19
D351,846 S * 10/1994 Goss D15/135
D440,369 S * 4/2001 LaFollette, Jr. D34/19
(Continued)

FOREIGN PATENT DOCUMENTS

CN 305537532 * 1/2020

OTHER PUBLICATIONS

Solidpro. Link: <https://shop.solidpro.de/de/HP-Jet-Fusion-3D-Drucker-5200.html>. Visited Feb. 25, 2020. HP Jet Fusion 3D Drucker 5200. (Year: 2020).*

(Continued)

Primary Examiner — Lauren D McVey
(74) *Attorney, Agent, or Firm* — HP Inc. Patent Department

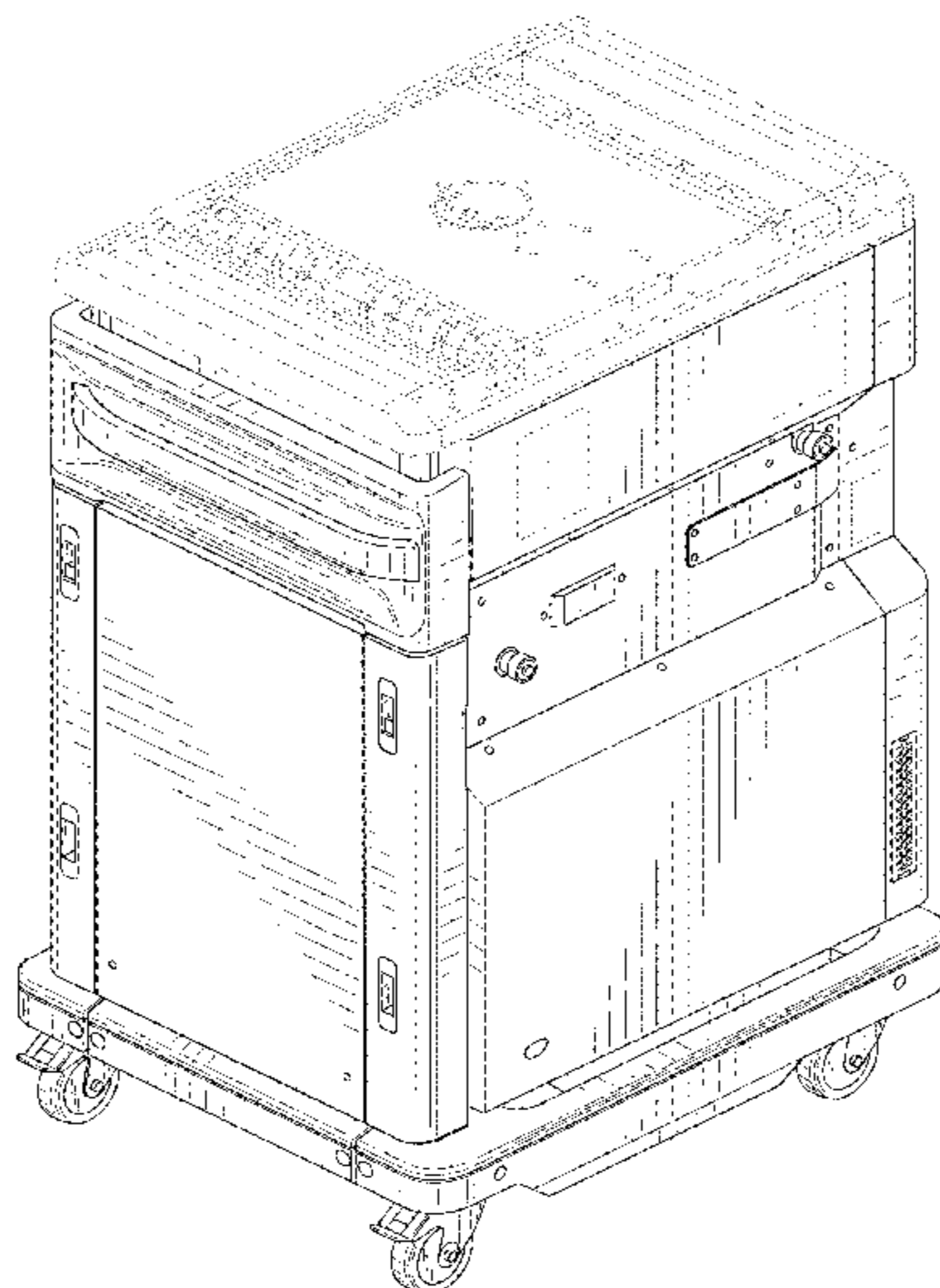
(57) **CLAIM**

We claim the ornamental design for a 3D printer build unit, as shown and described.

DESCRIPTION

FIG. 1 is a front perspective view of a 3D printer build unit, showing our new design;
FIG. 2 is rear perspective view thereof;
FIG. 3 is a rear elevation view thereof;
FIG. 4 is a front elevation view thereof;
FIG. 5 is a left side elevation view thereof;
FIG. 6 is a right side elevation view thereof;
FIG. 7 is an enlarged top plan view thereof; and,
FIG. 8 is an enlarged bottom plan view thereof.
The broken lines immediately adjacent to the shaded areas depict the bounds of the claimed design, while all other broken lines are directed to environment. The broken lines form no part of the claimed design.

1 Claim, 8 Drawing Sheets



(58) **Field of Classification Search**

CPC 2/16541; B41J 2002/20; B41J 2002/14475;
B29K 2995/0021

See application file for complete search history.

(56) **References Cited**

U.S. PATENT DOCUMENTS

D681,229	S	*	4/2013	Henssler	D24/219
D751,612	S	*	3/2016	Kojima	D15/122
D768,740	S	*	10/2016	Akerstrom	D15/122
D799,567	S	*	10/2017	Cesar	D15/122
D841,701	S	*	2/2019	Gallo	D15/122
D858,590	S	*	9/2019	Kazaoka	D15/122
D865,010	S	*	10/2019	Wakao	D15/122
D872,140	S	*	1/2020	Palmer	D15/122
D874,528	S	*	2/2020	Horstmann	D15/138
2014/0377028	A1	*	12/2014	Inaguchi	B23Q 11/08 409/134

OTHER PUBLICATIONS

SourceGraphics. Link: <https://sourcegraphics.com/3d/printers/hp/jet-fusion-5200/> Visited Feb. 25, 2020. HP Jet Fusion 5200. (Year: 2020).*

YouTube. Link: <https://www.youtube.com/watch?v=XeTdo-w6Qx8>. May 17, 2016. How the HP Jet Fusion 3D Printing Solution Works. (Year: 2016).*

* cited by examiner

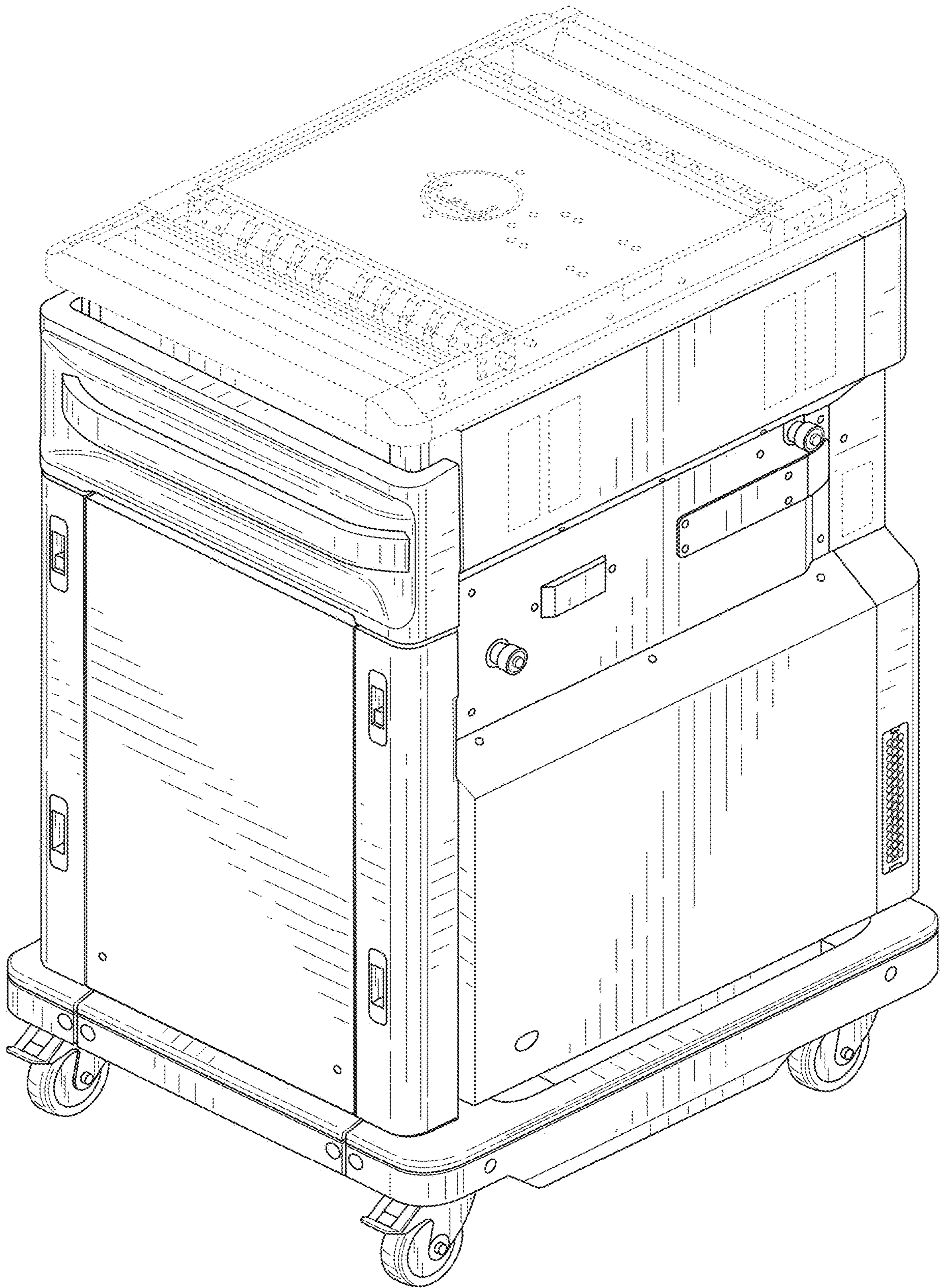


FIG. 1

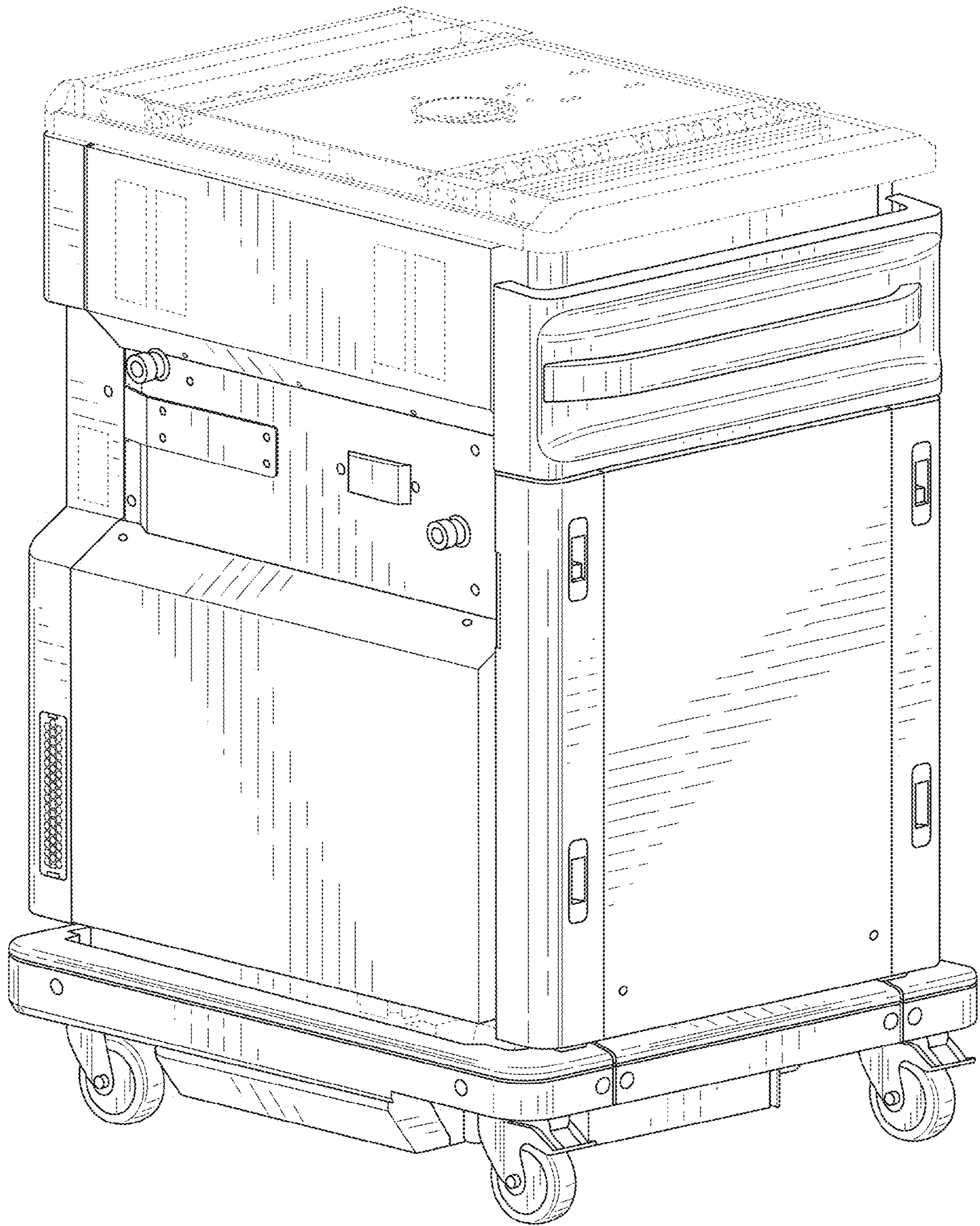


FIG. 2

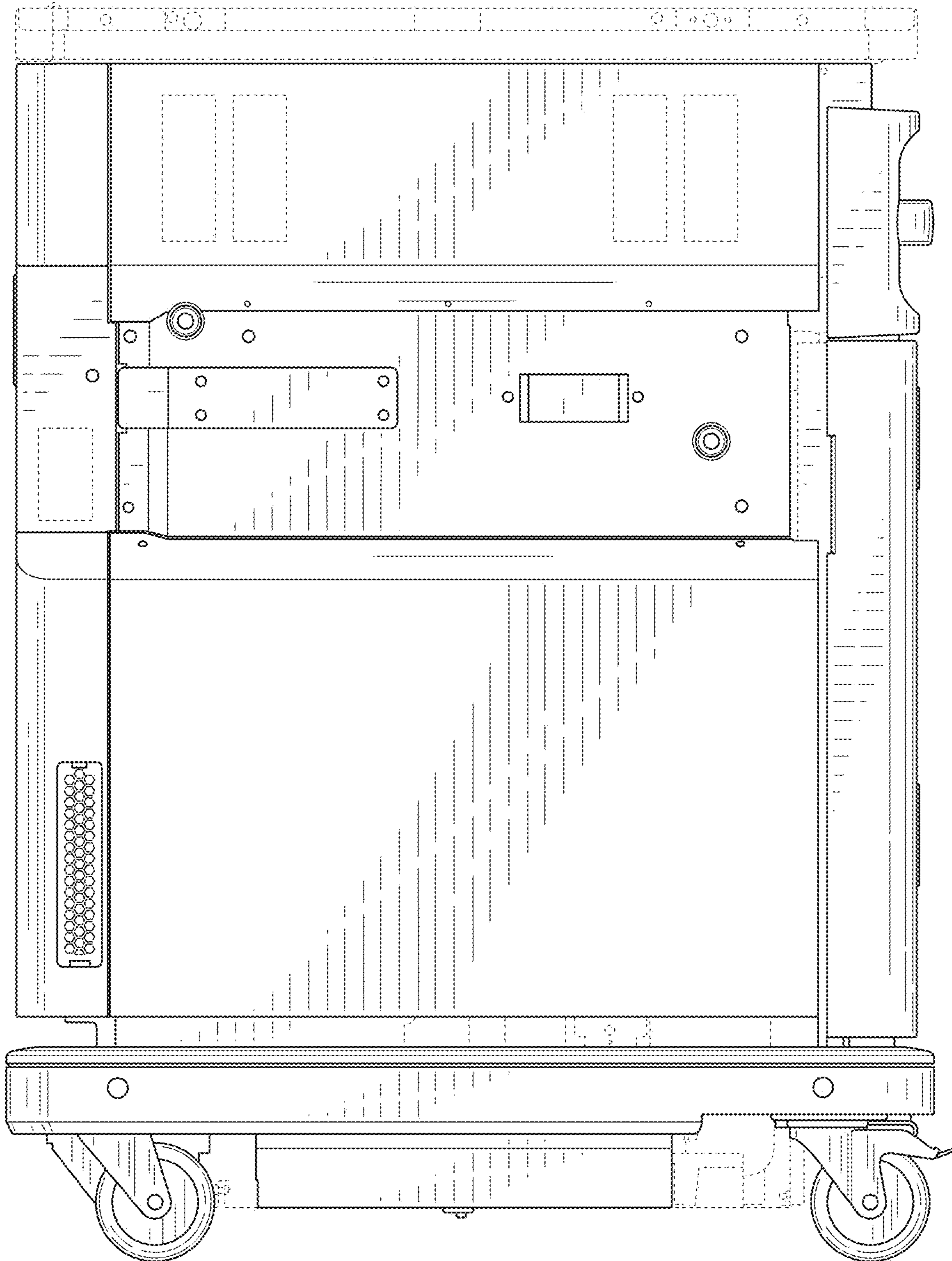


FIG. 3

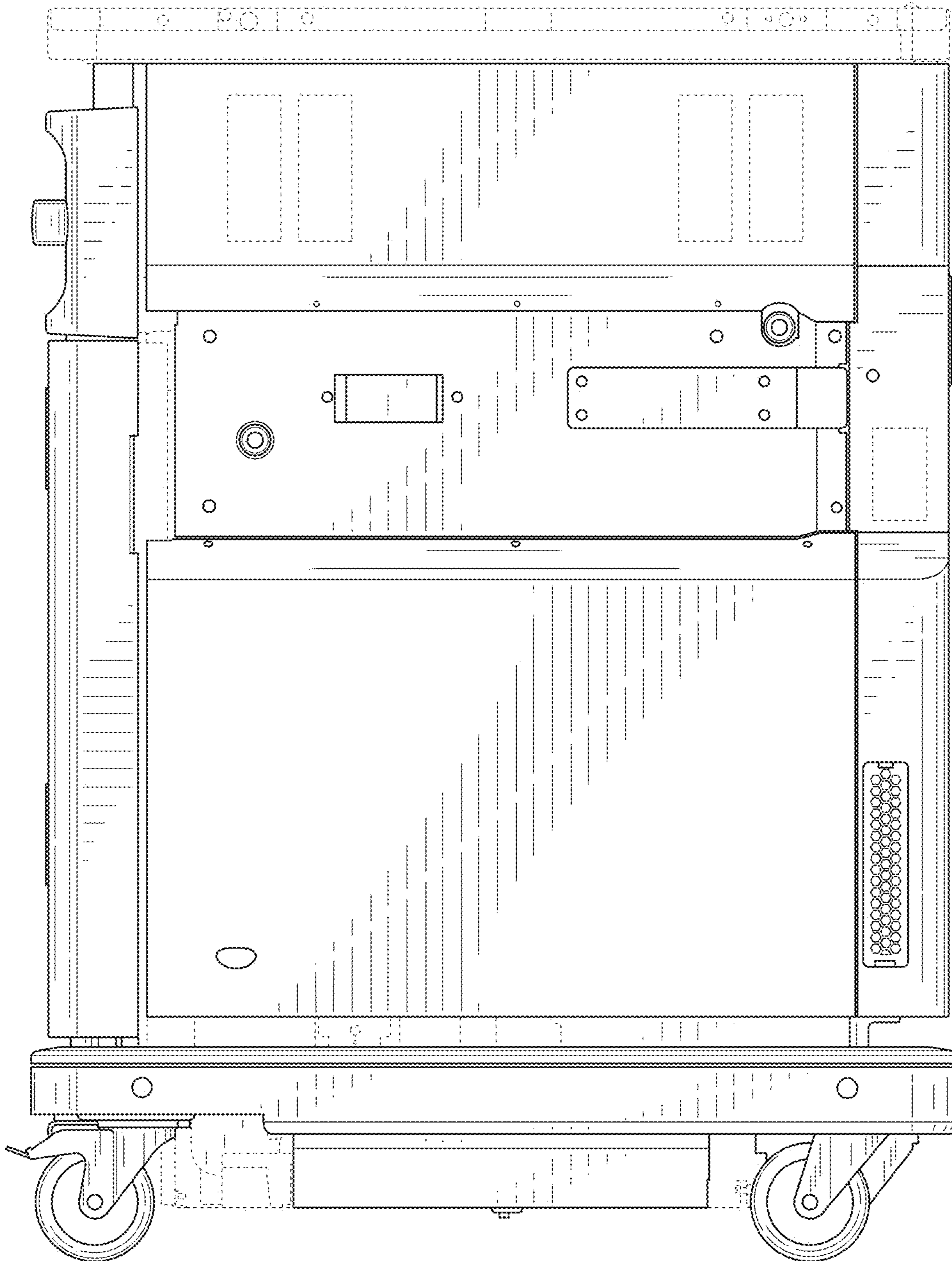


FIG. 4

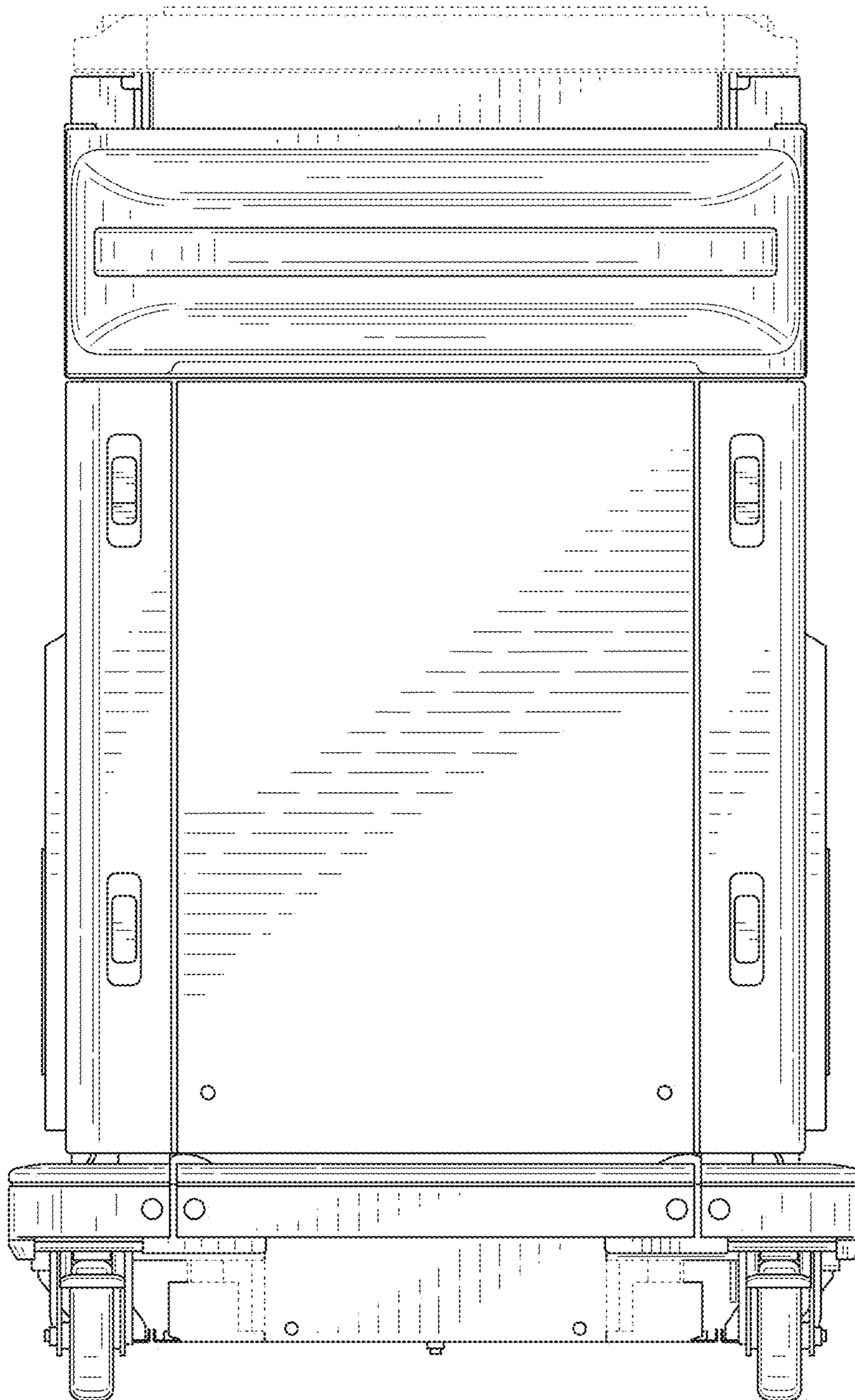


FIG. 5

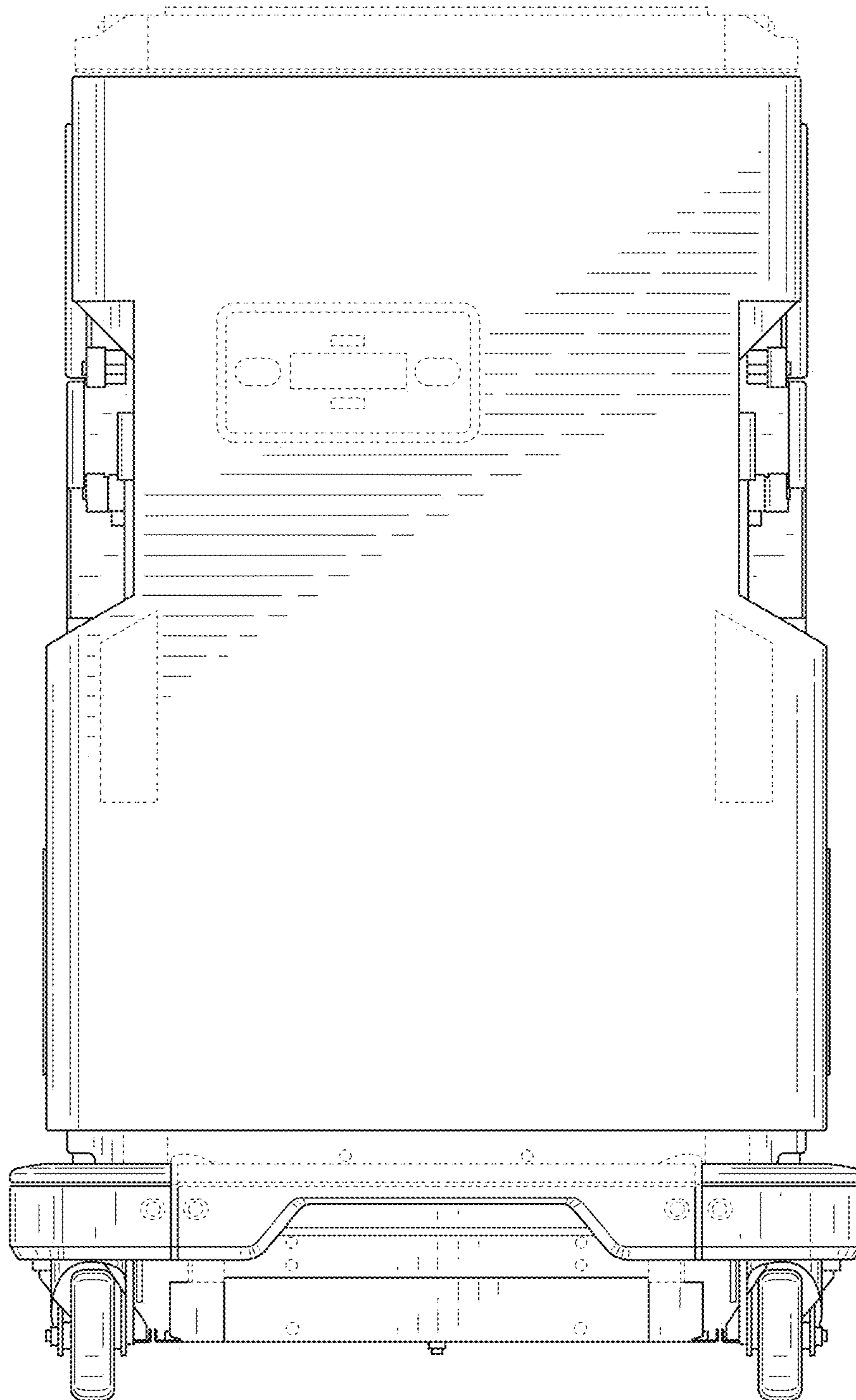


FIG. 6

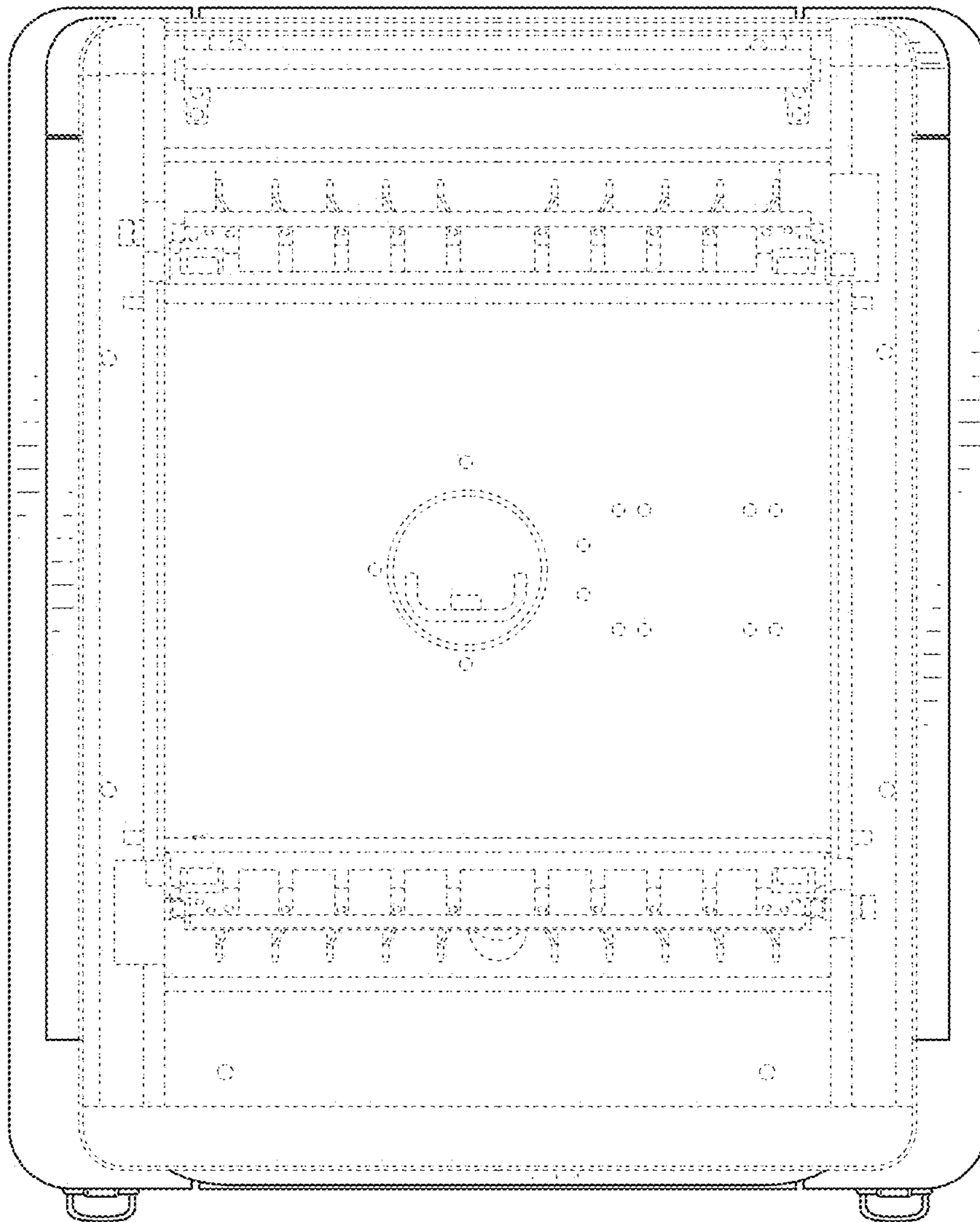


FIG. 7

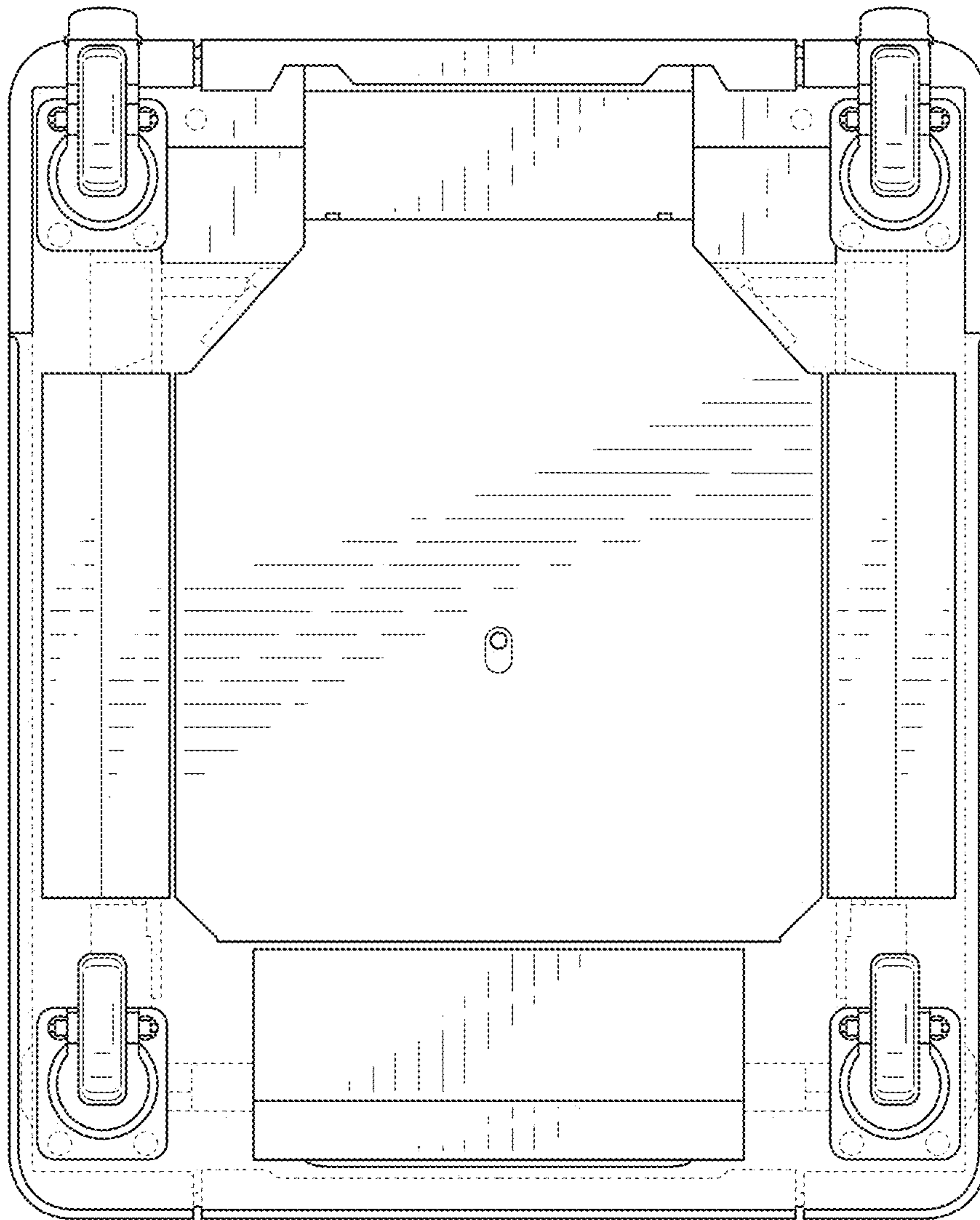


FIG. 8