

US00D908749S

(12) **United States Design Patent** (10) **Patent No.:** **US D908,749 S**
Luo (45) **Date of Patent:** **** Jan. 26, 2021**

(54) **CUP TURNER**
(71) Applicant: **Jinxiu Luo**, Ganzhou (CN)
(72) Inventor: **Jinxiu Luo**, Ganzhou (CN)
(73) Assignee: **RECHAR INC**, Strasburg, CO (US)
(**) Term: **15 Years**
(21) Appl. No.: **29/685,831**

D471,570 S * 3/2003 Wang D15/130
D472,564 S * 4/2003 Corcoran D15/123
D721,109 S * 1/2015 Wolfgang D15/143
D786,631 S * 5/2017 Kim D7/693
D796,917 S * 9/2017 Wong D7/693
2010/0186602 A1* 7/2010 Dotan A47J 37/041
99/421 H
2013/0000629 A1* 1/2013 Christopoulos A47J 37/0786
126/25 AA
2014/0305318 A1* 10/2014 Hopkins A47J 37/041
99/421 HV

(Continued)

(22) Filed: **Apr. 1, 2019**
(51) **LOC (13) Cl.** **15-09**
(52) **U.S. Cl.**
USPC **D15/122; D15/140**
(58) **Field of Classification Search**
USPC D15/122, 123, 125, 130, 138, 140, 141,
D15/142; D08/354; D07/693
CPC B27B 31/04; B27B 31/00; A47J 37/041;
A47J 37/049; A47J 37/0786; A47J
37/0704; A47J 37/0745; A47J 37/04
See application file for complete search history.

OTHER PUBLICATIONS

Cup Turner for Crafts Tumbler, Metal Tumbler Spinner Machine for Drying Epoxy Resin, Earliest date Jun. 21, 2019 [Online], [Site visited Aug. 27, 2020] Available From Internet, URL:<https://www.amazon.com/Tumbler-Spinner-Machine-Rotisserie-Steering/dp/B07TQMCS7L/ref=psdc_262672011_t1_B07Z6KJ4LY> (Year: 2019).*

(Continued)

Primary Examiner — Sandra Snapp
Assistant Examiner — Donald B Rose, Jr.

(56) **References Cited**
U.S. PATENT DOCUMENTS

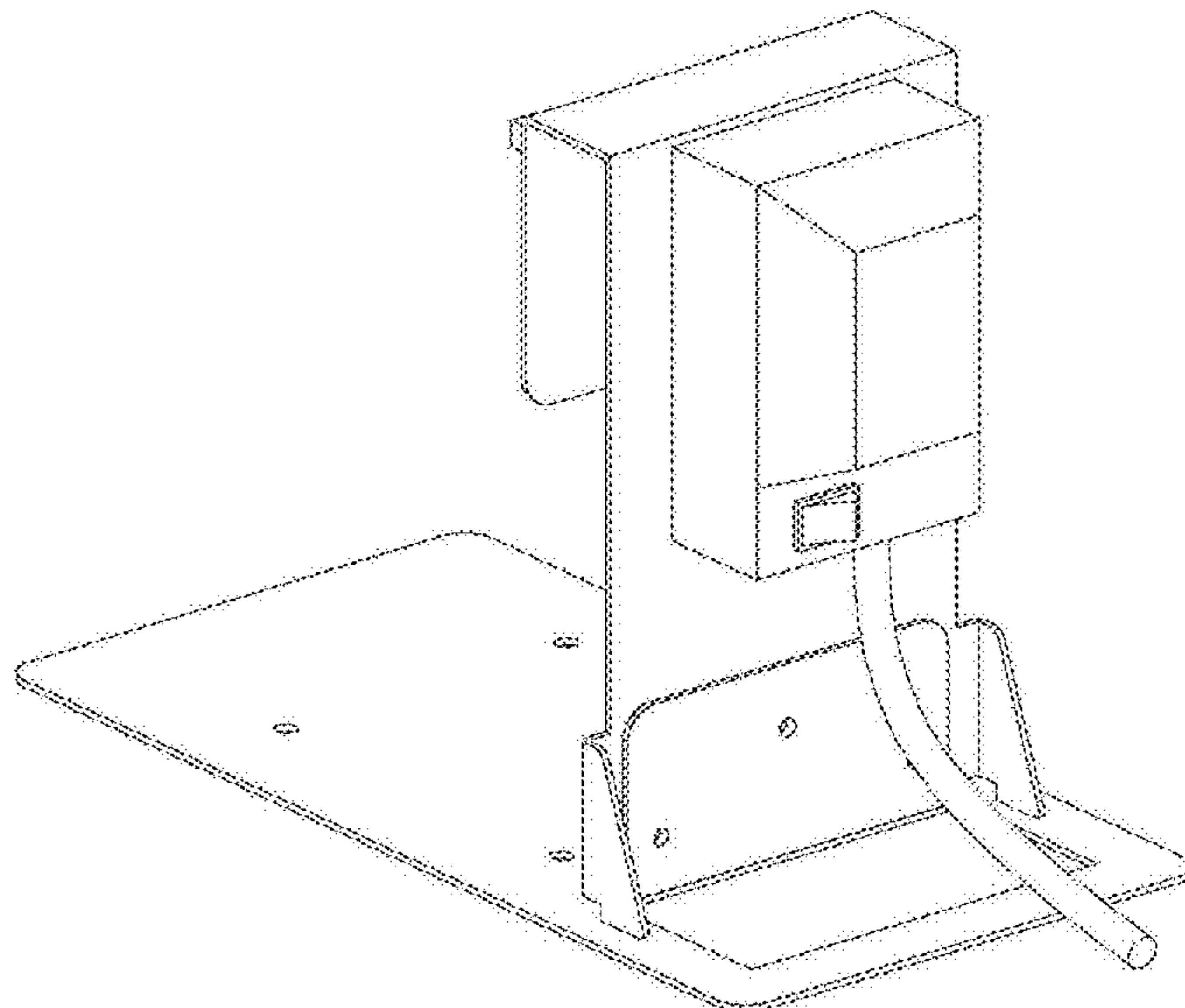
1,741,400 A * 12/1929 Bocchino A47J 37/041
99/421 H
D120,863 S * 6/1940 Hoelscher D15/130
D121,316 S * 7/1940 Boisselier D15/122
D147,300 S * 8/1947 Potter D15/130
D152,350 S * 1/1949 Moore D15/123
2,811,099 A * 10/1957 McGoldrick A47J 37/041
99/444
3,075,454 A * 1/1963 Henyan A47J 37/049
99/421 R
D269,616 S * 7/1983 Crum D15/140
D349,293 S * 8/1994 Rhoton D15/130
5,819,639 A * 10/1998 Spell A47J 37/041
99/421 H
D401,247 S * 11/1998 Wang D15/130
D425,916 S * 5/2000 Cheng D15/130

(57) **CLAIM**
The ornamental design for a cup turner, as shown and described.

DESCRIPTION

FIG. 1 is a perspective view of a cup turner showing my new design;
FIG. 2 is a perspective view of a cup turner showing my new design;
FIG. 3 is a top plan view thereof;
FIG. 4 is a rear elevational view thereof;
FIG. 5 is a bottom plan view thereof;
FIG. 6 is an enlarged right side view thereof;
FIG. 7 is a front elevational view thereof; and,
FIG. 8 is an enlarged left side view thereof.

1 Claim, 8 Drawing Sheets



(56)

References Cited

U.S. PATENT DOCUMENTS

2020/0214496 A1* 7/2020 Moric A47J 37/0759

OTHER PUBLICATIONS

Sheoo Cup Turner for Crafts Tumbler, Cuptisserie Tumbler Spinner for Epoxy Crafts Coating DIY,Steel Frame Tumbler Turner for Stable, Quiet, Durable, Earliest date Jul. 15, 2019 [Online], [Site visited Aug. 27, 2020] Available From Internet, URL: Link in PDF (Year: 2019).*

Cup Turner for Crafts Tumbler, Electric Tumbler Spinner with Rotisserie Motor,Cuptisserie for Epoxy Crafts Coating Tumblers, Earliest date Apr. 2, 2020 [Online], [Site visited Aug. 27, 2020] Available From Internet, URL: Link in PDF (Year: 2020).*

* cited by examiner

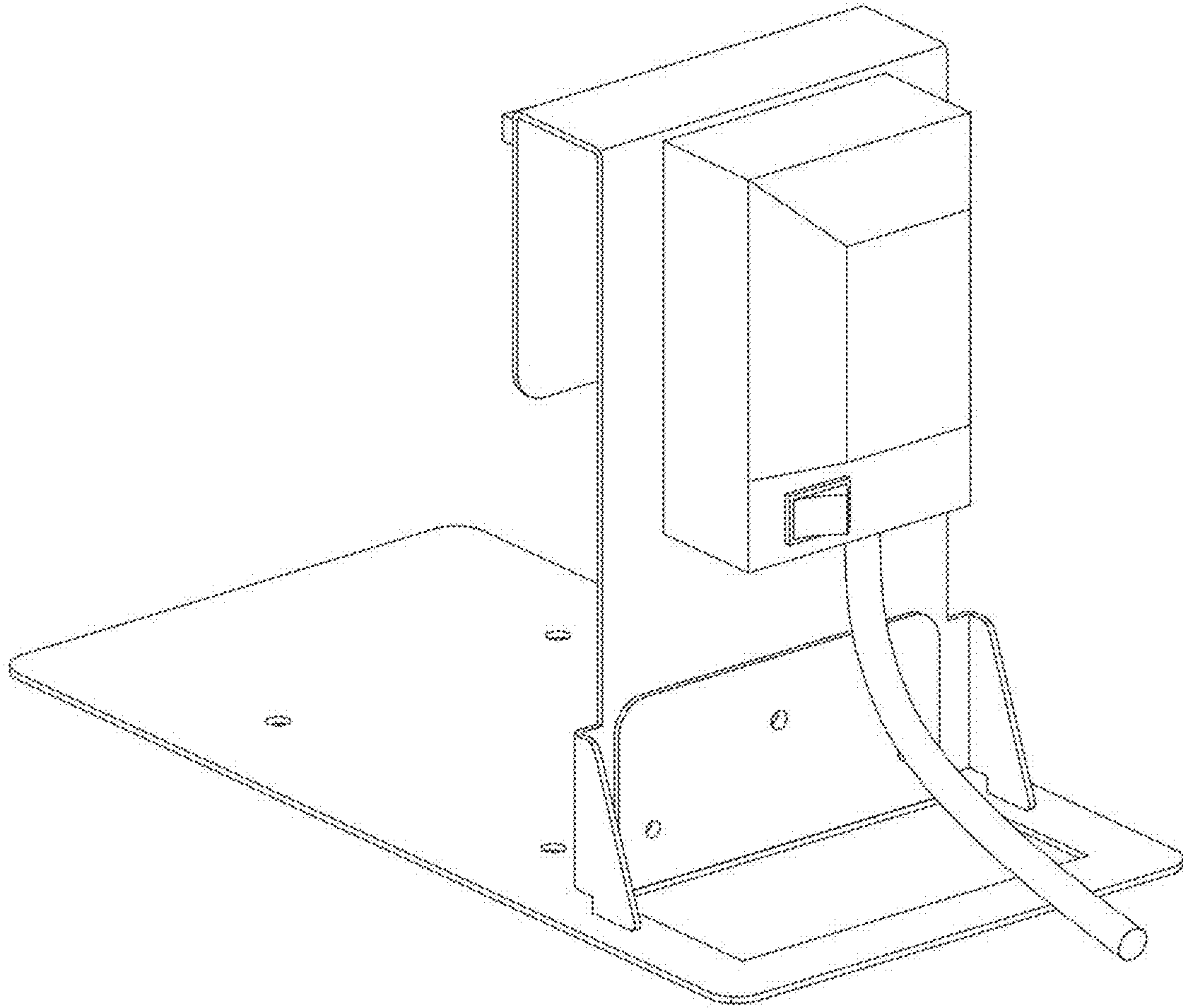


FIG. 1

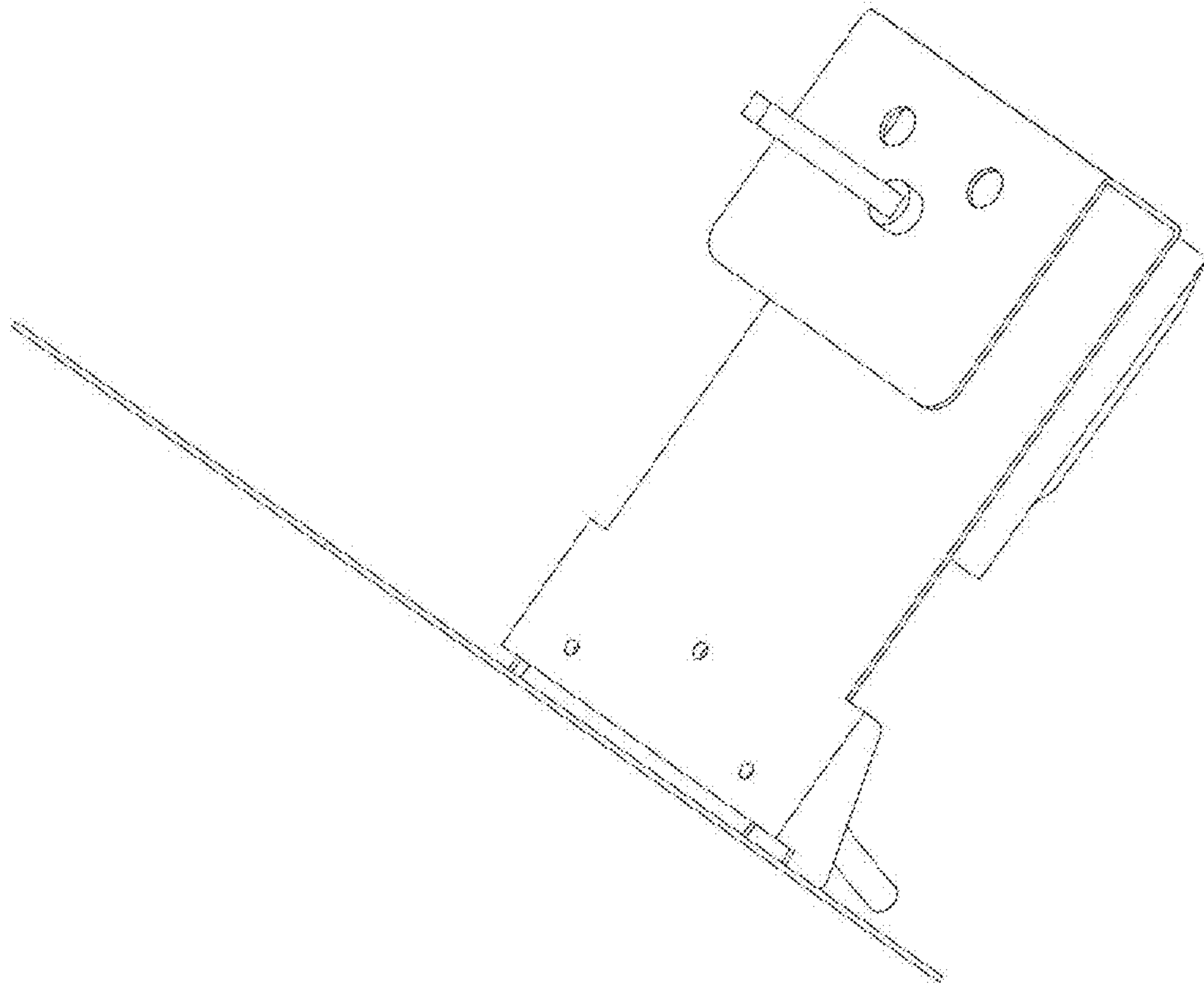


FIG.2

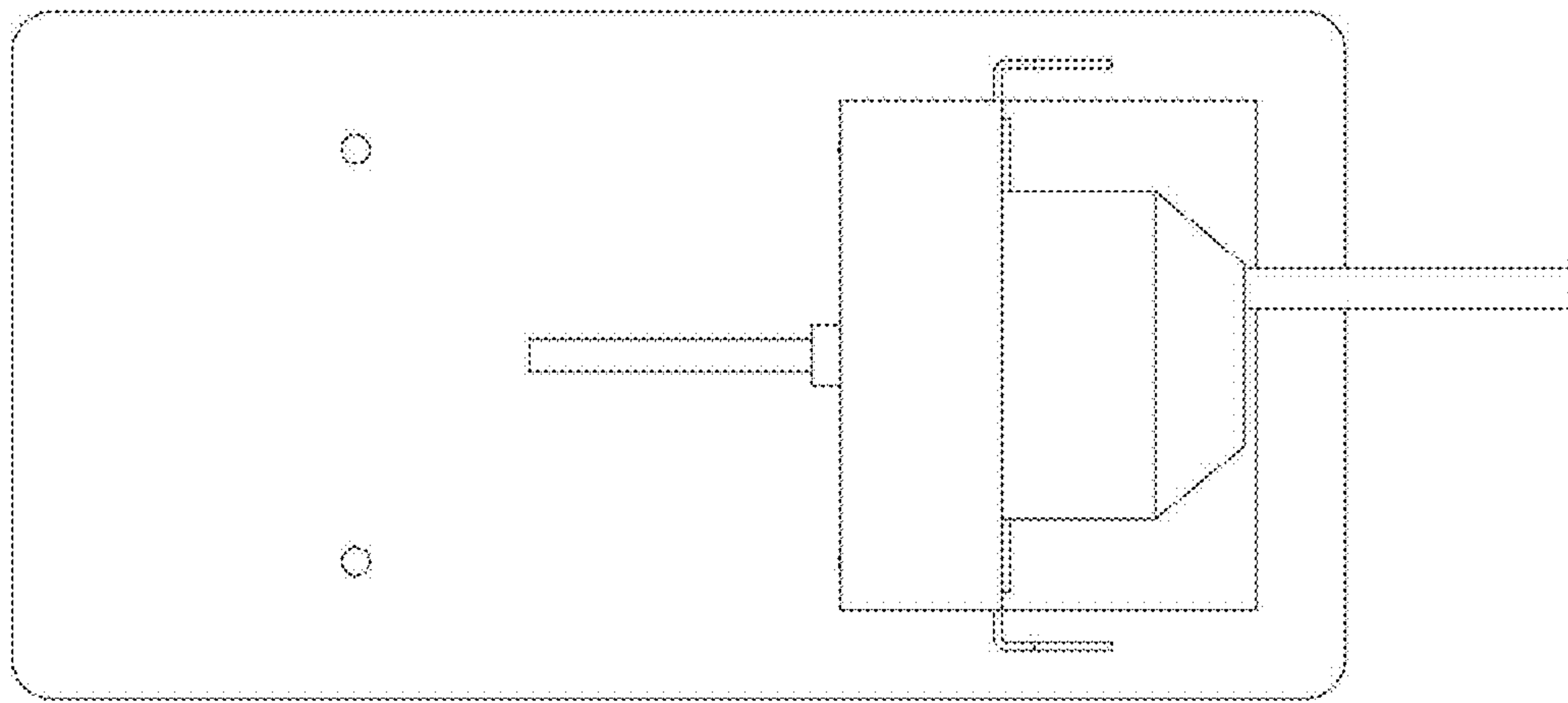


FIG.3

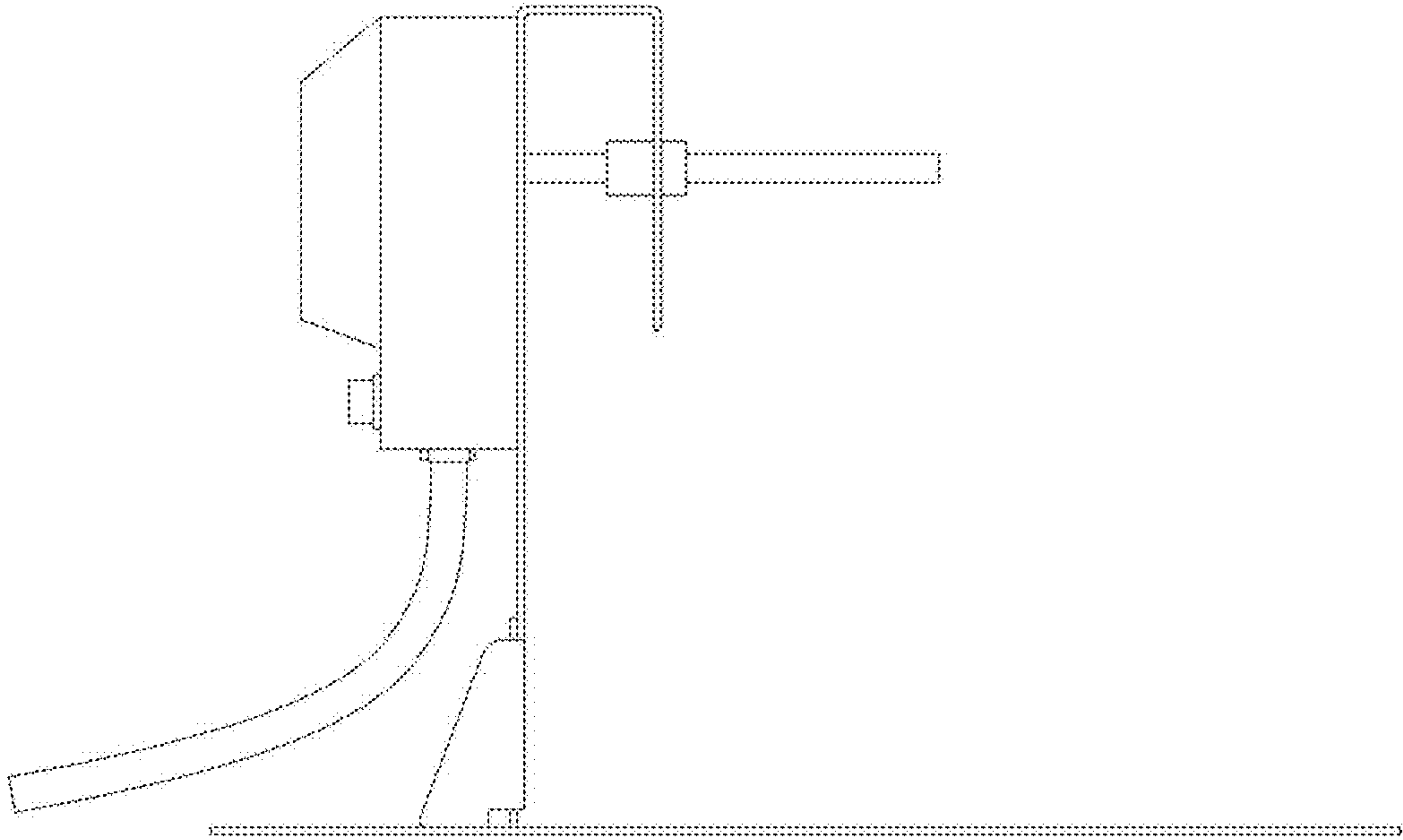


FIG.4

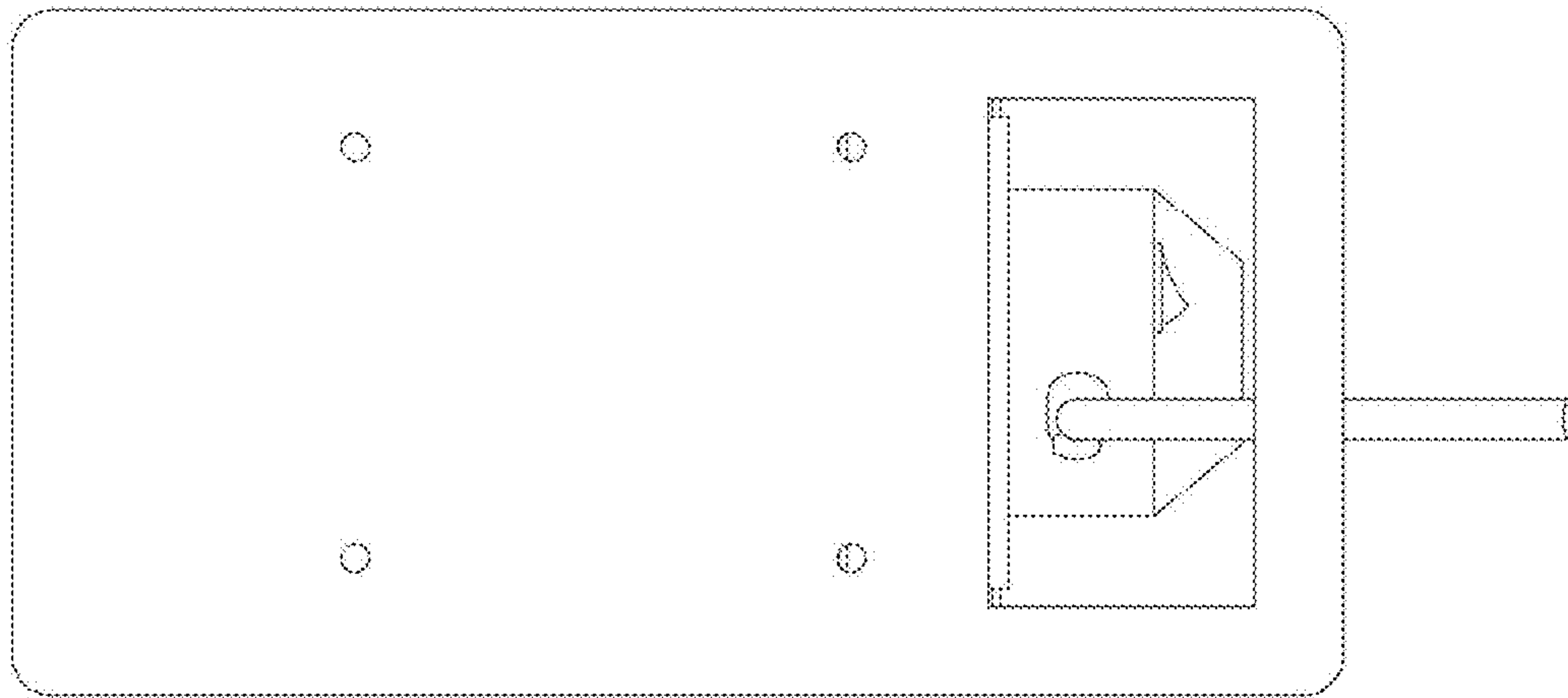


FIG.5

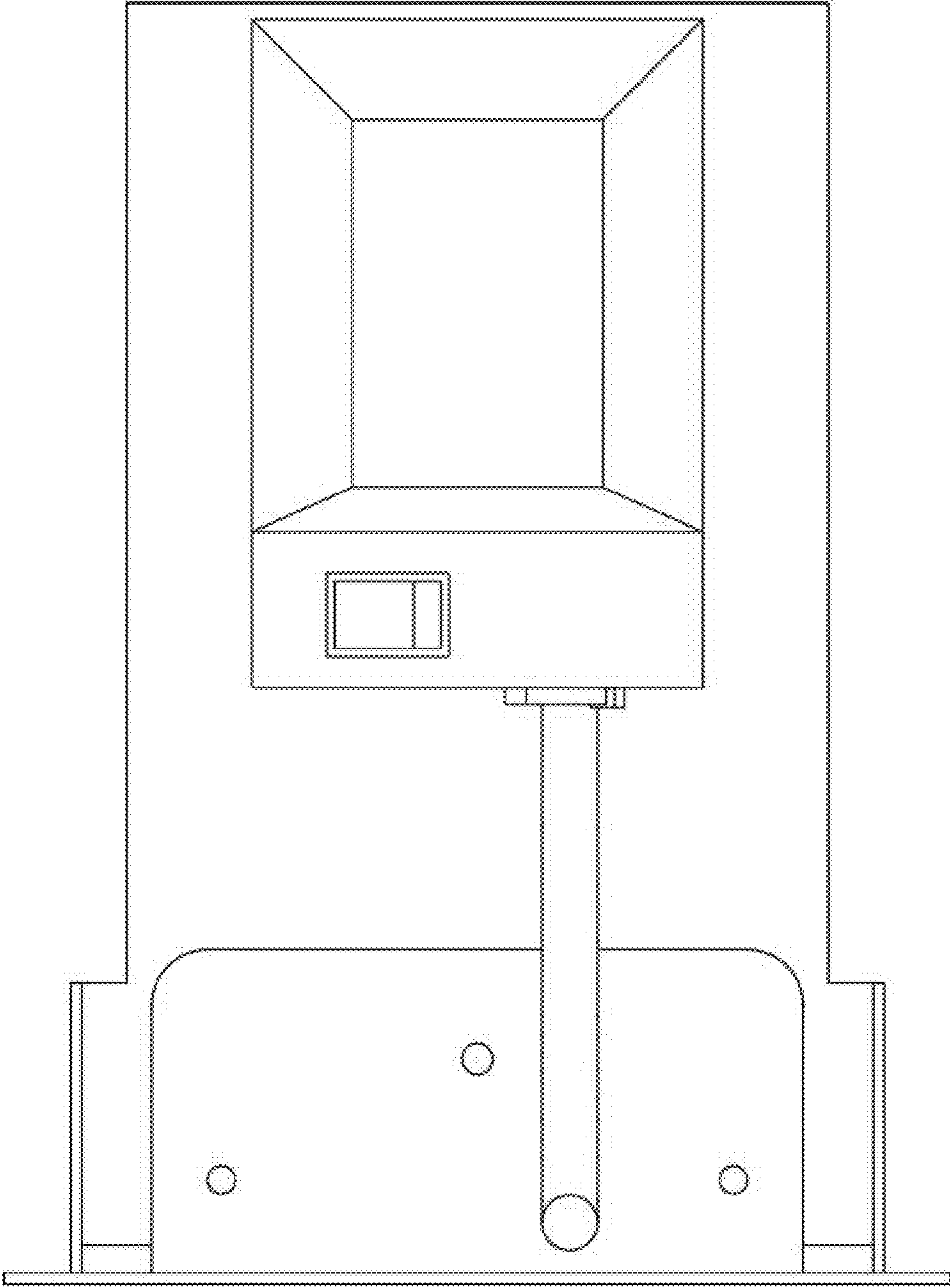


FIG. 6

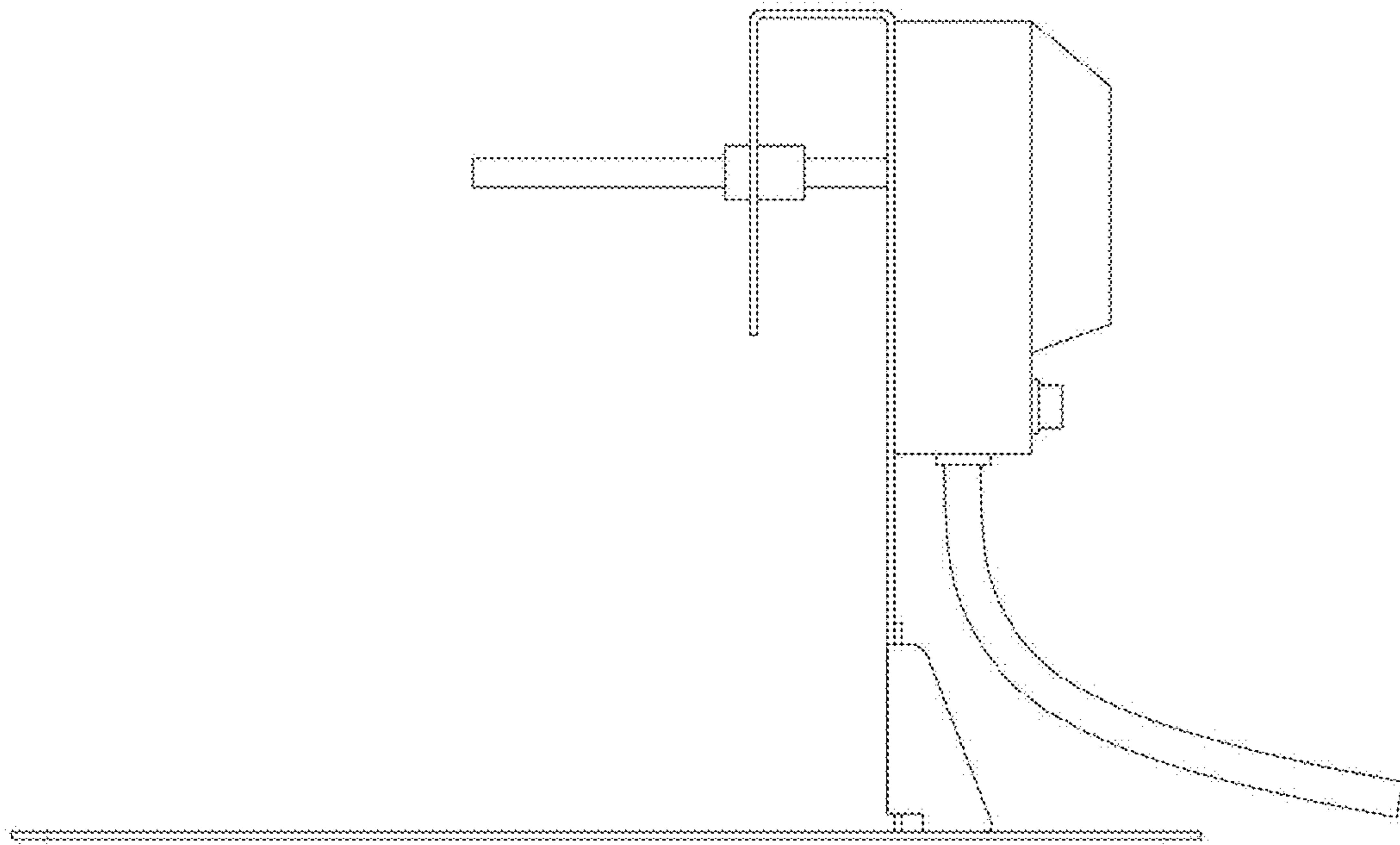


FIG. 7

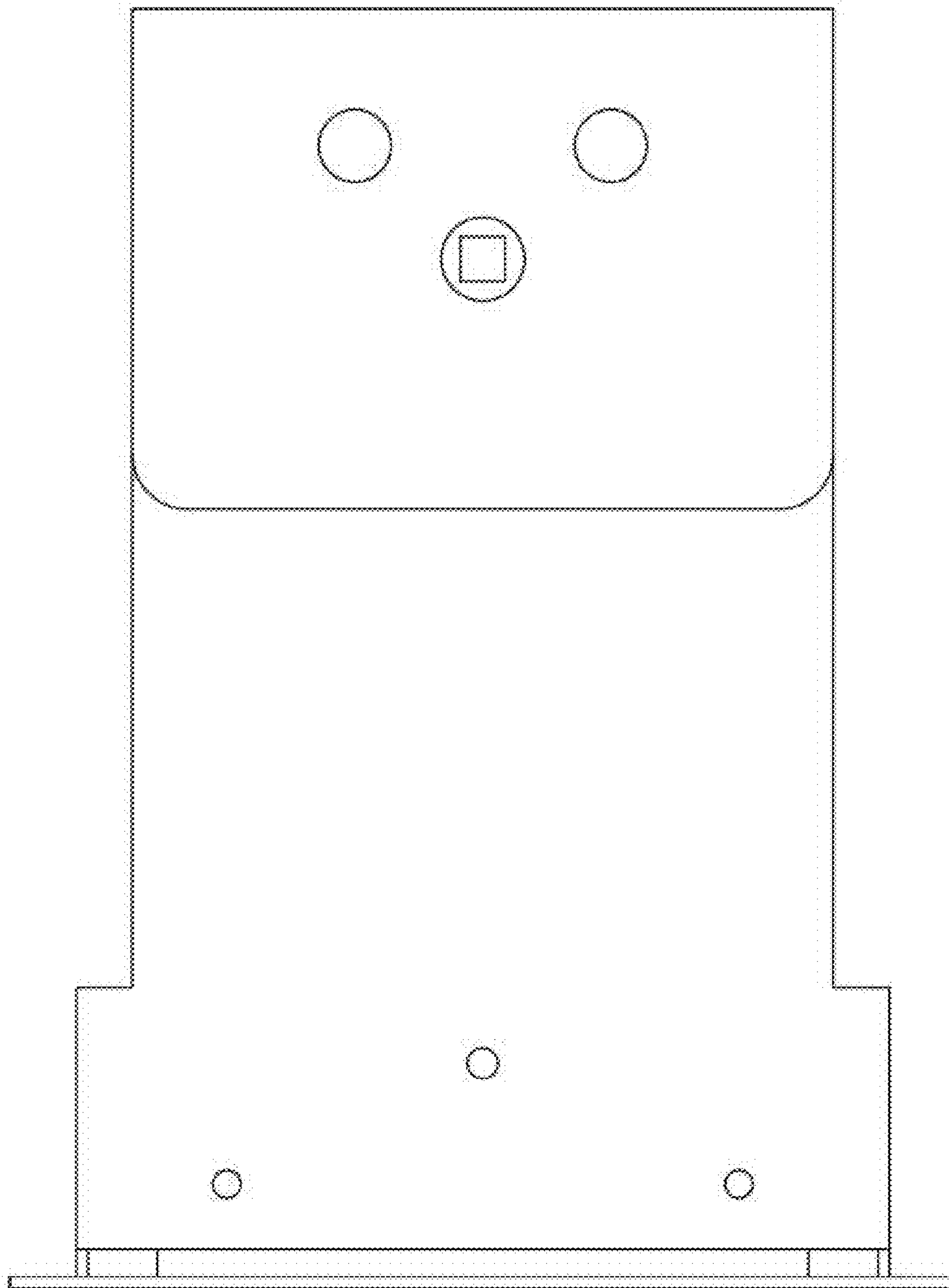


FIG.8