



US00D908747S

(12) **United States Design Patent** (10) **Patent No.:** **US D908,747 S**
Zhao (45) **Date of Patent:** **** Jan. 26, 2021**

(54) **HANDLES FOR MANIPULATING ICE TRAY COVERS**

(71) Applicant: **Ying Zhao**, Shenzhen (CN)

(72) Inventor: **Ying Zhao**, Shenzhen (CN)

(**) Term: **15 Years**

(21) Appl. No.: **29/731,094**

(22) Filed: **Apr. 11, 2020**

(51) **LOC (13) Cl.** **15-07**

(52) **U.S. Cl.**
USPC **D15/89**

(58) **Field of Classification Search**
USPC D15/79-91; D11/91; D7/672-677, 345,
D7/357, 368, 369, 410
CPC .. F25C 5/002; F25C 5/005; F25C 5/12; F25C
1/04; F25C 2500/02; F25C 2500/08;
F25C 2700/02; F25C 5/02; F25C 5/046;
F25C 5/187

See application file for complete search history.

(56) **References Cited**

U.S. PATENT DOCUMENTS

D292,802 S	11/1987	Fails	
D372,840 S *	8/1996	Cousins	D7/538
D399,704 S *	10/1998	Cousins	D7/553.4
D596,444 S *	7/2009	Harvey	D7/354
D616,265 S *	5/2010	Kulzer	D7/701
D616,268 S *	5/2010	Kulzer	D7/701
D651,038 S *	12/2011	Henry	D7/357
D661,541 S *	6/2012	Braden	D7/359
D676,470 S	2/2013	Norin et al.	
D724,900 S *	3/2015	Kraemer	D7/611
D739,264 S *	9/2015	Buccellato	D9/761
D750,443 S *	3/2016	Kraemer	D7/611

D757,130 S *	5/2016	Frank	D15/90
D759,735 S *	6/2016	Tsai	D15/90
D792,735 S *	7/2017	Henry	D7/357
D804,547 S	12/2017	Richardson	
D807,932 S *	1/2018	Frank	D15/90
D815,498 S *	4/2018	Claudia	D7/675
D819,094 S *	5/2018	Hume	D15/90
D852,237 S	6/2019	Helton	
D852,854 S	7/2019	Helton	
D882,648 S	4/2020	Peng	

* cited by examiner

Primary Examiner — Khawaja Anwar

(74) *Attorney, Agent, or Firm* — Law Offices of Steven W. Weinrieb

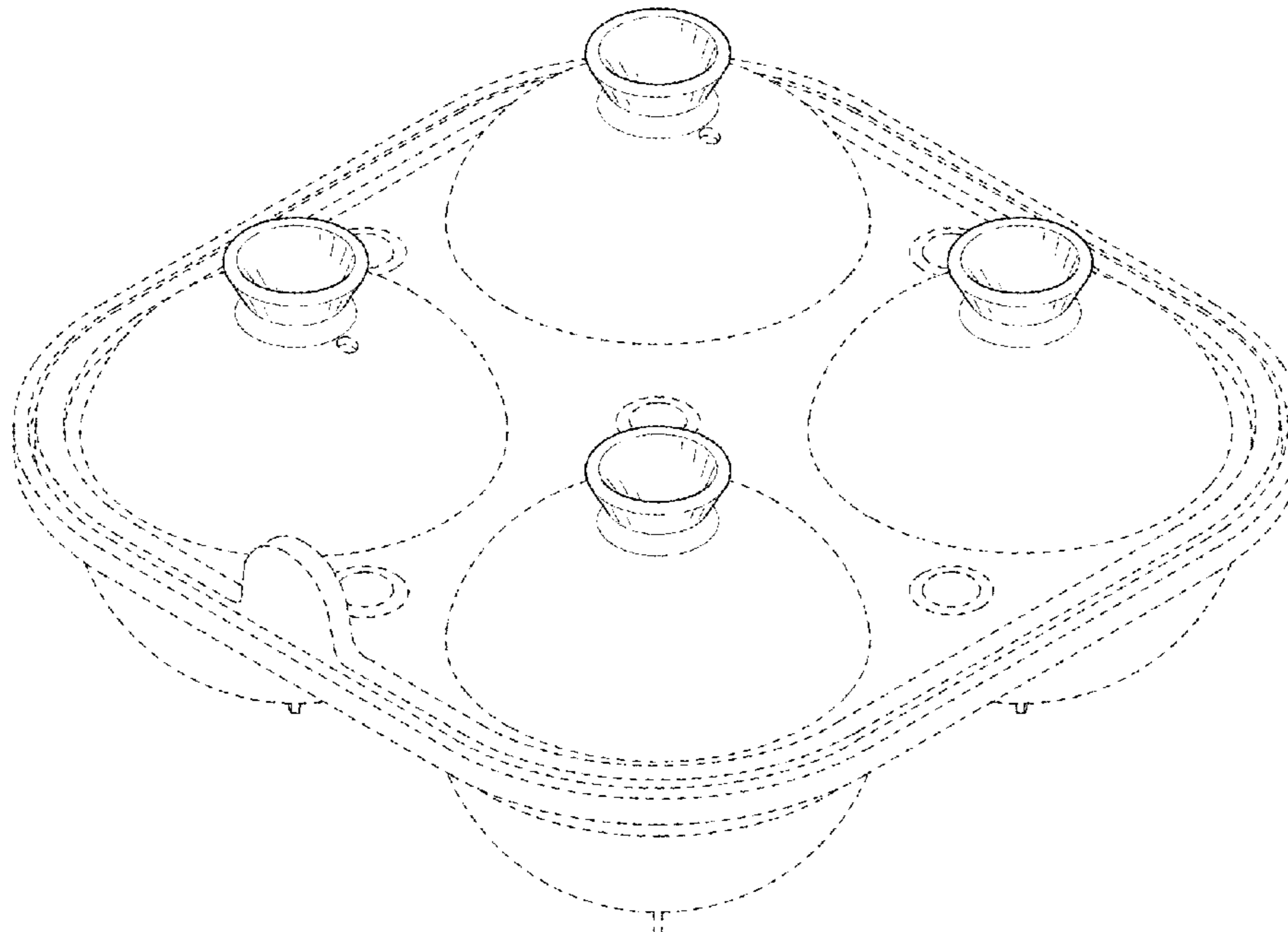
(57) **CLAIM**

The ornamental design for a handles for manipulating ice tray covers, as shown and described.

DESCRIPTION

FIG. 1 is a front, right side, top perspective view of handles for manipulating ice tray covers showing my new design; FIG. 2 is a rear, right side, bottom perspective view thereof; FIG. 3 is a front elevational view thereof; FIG. 4 is a rear elevational view thereof; FIG. 5 is a left side elevational view thereof; FIG. 6 is a right side elevational view thereof; FIG. 7 is a top plan view thereof; FIG. 8 is a bottom plan view thereof; and, FIG. 9 is a front, right side, top perspective view thereof showing the top cover portion of an ice tray removed from the bottom portion of the ice tray. The broken lines depict portions of an environment in connection with which the handles for manipulating ice tray covers are used and that form no part of the claimed design.

1 Claim, 9 Drawing Sheets



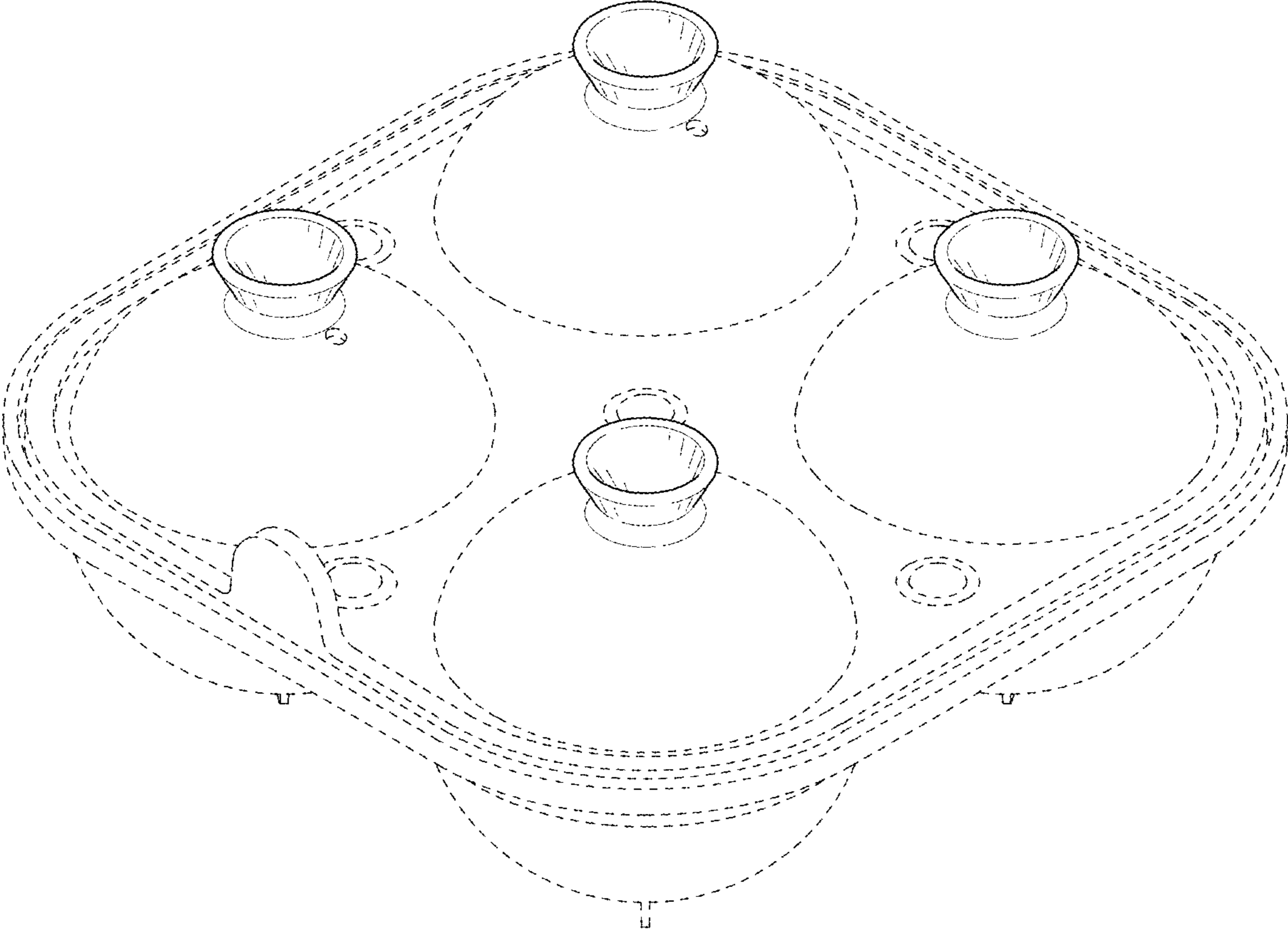


FIG. 1

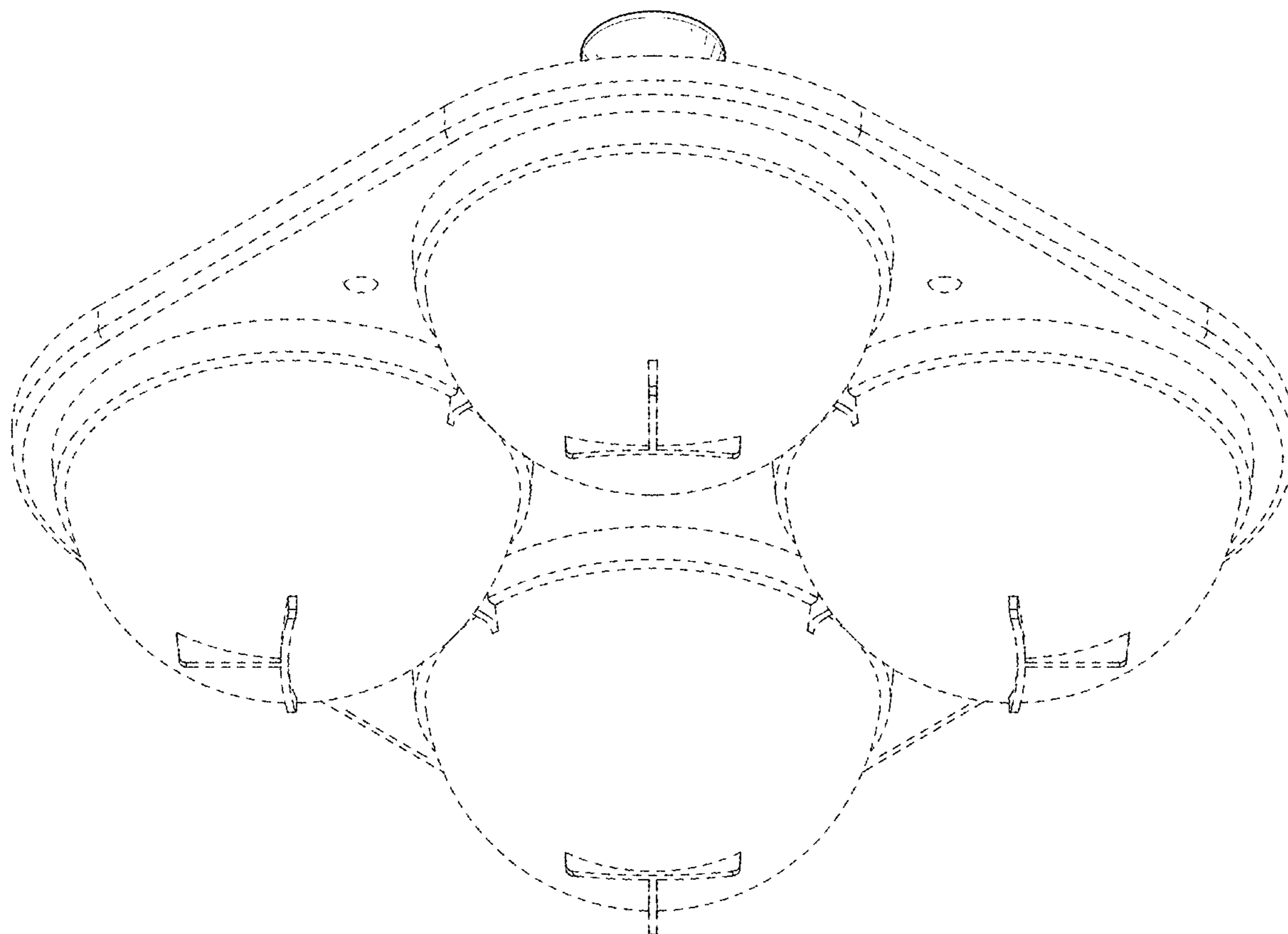


FIG. 2

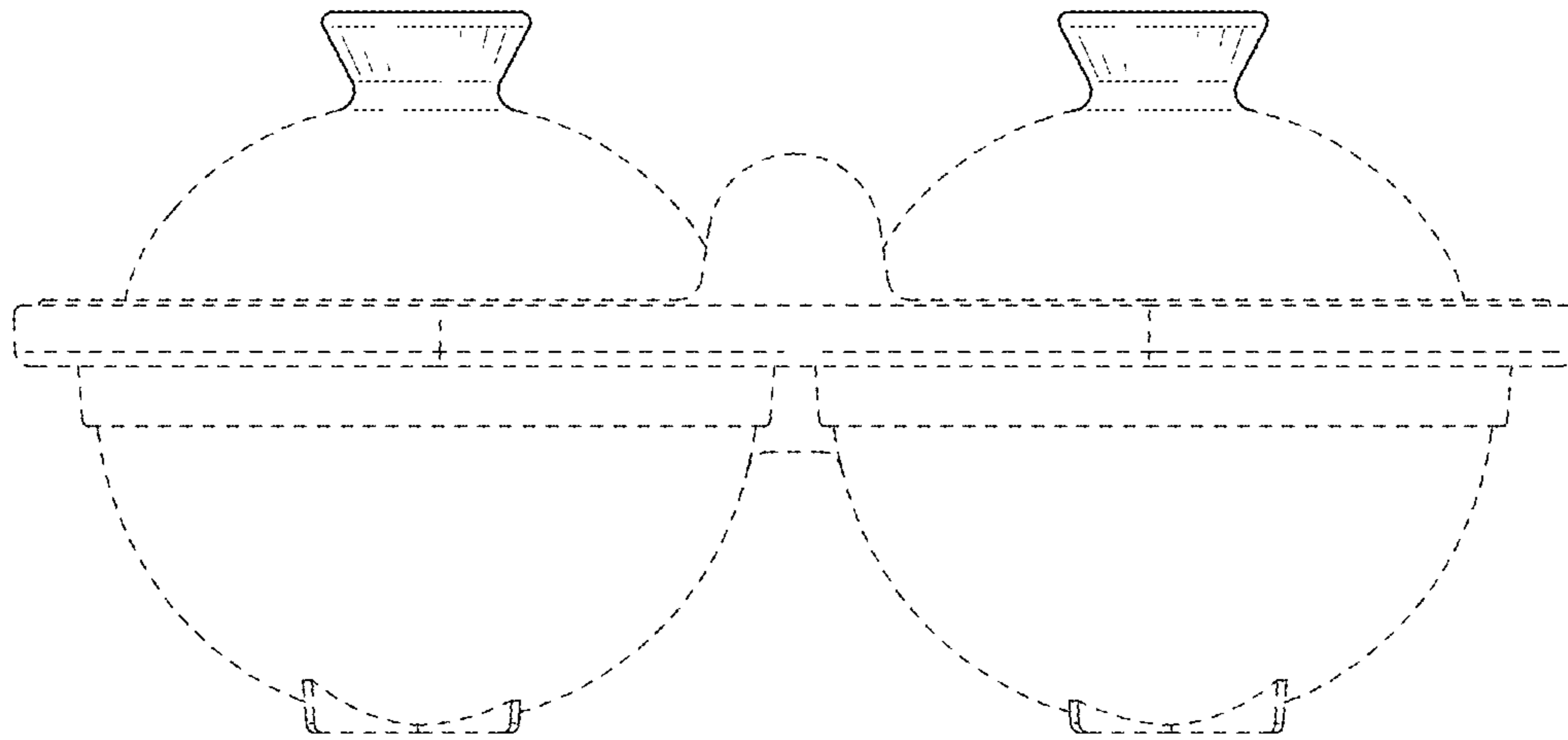


FIG. 3

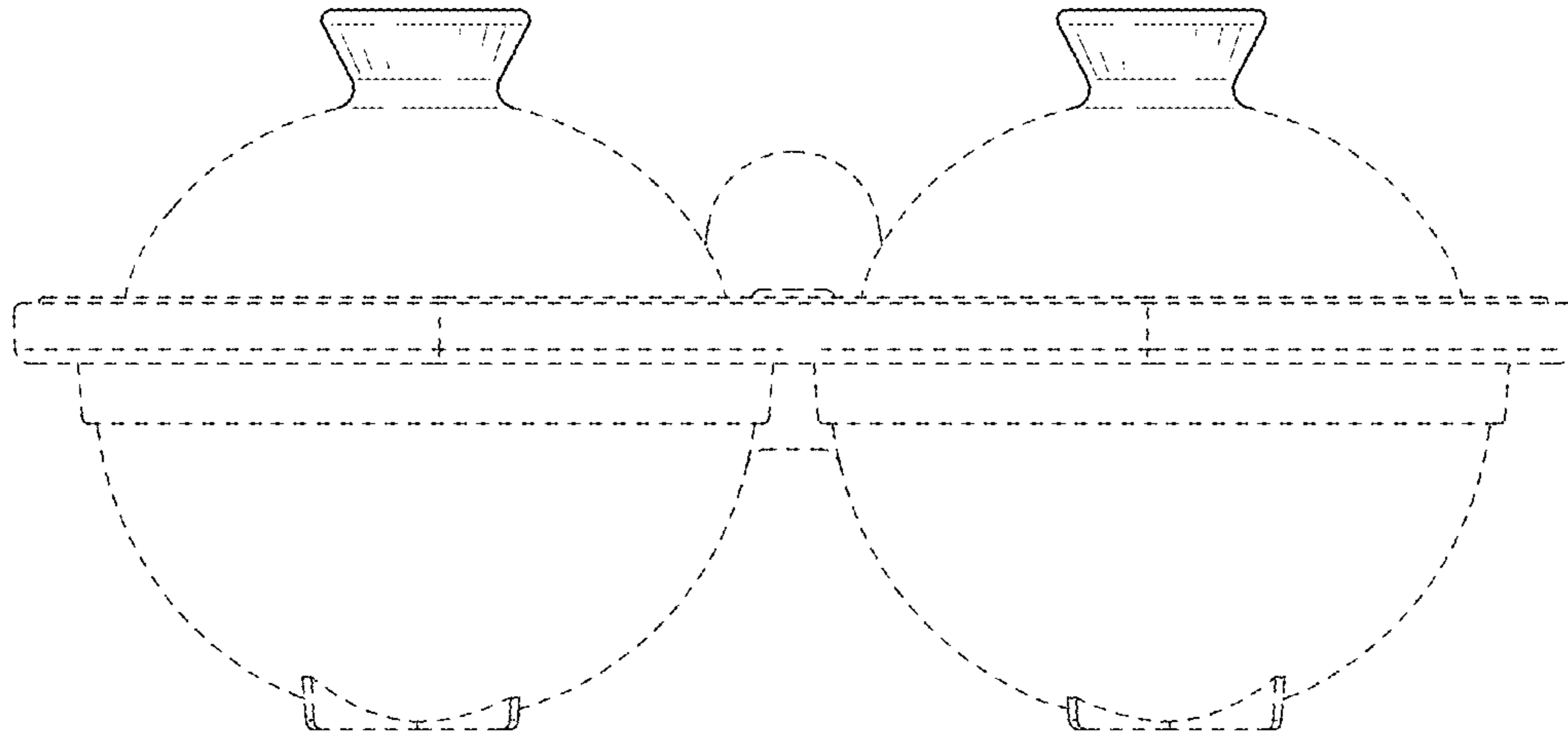


FIG. 4

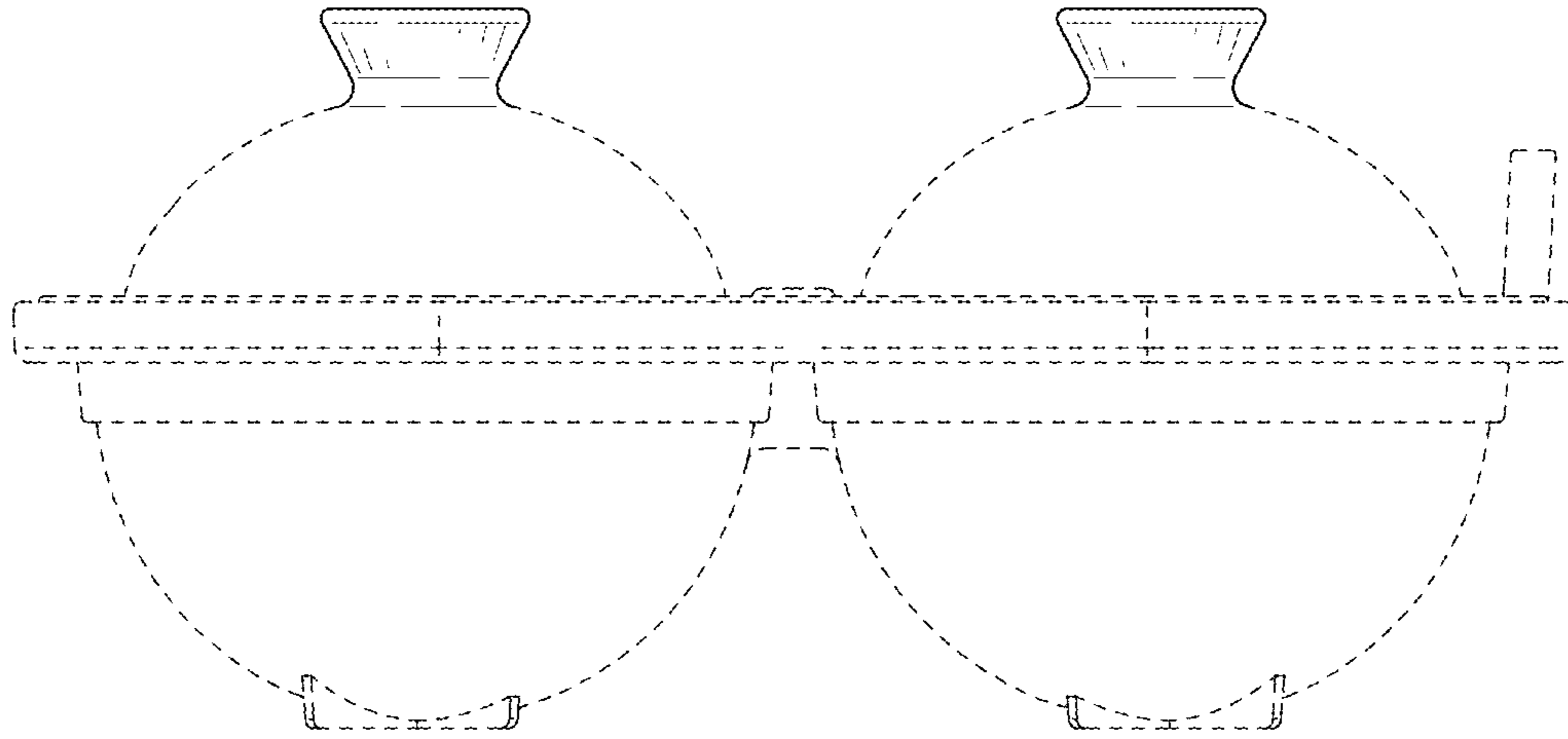


FIG. 5

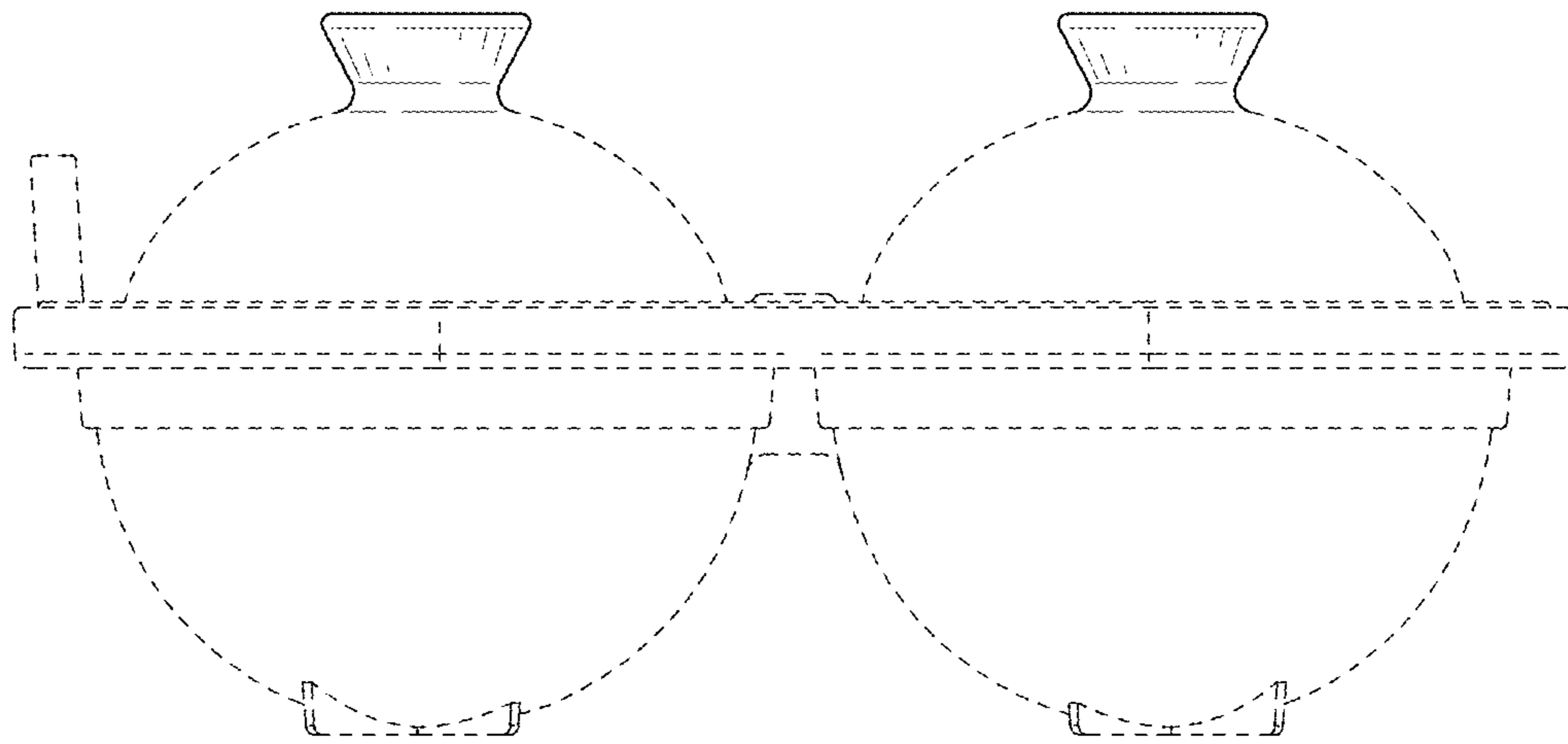


FIG. 6

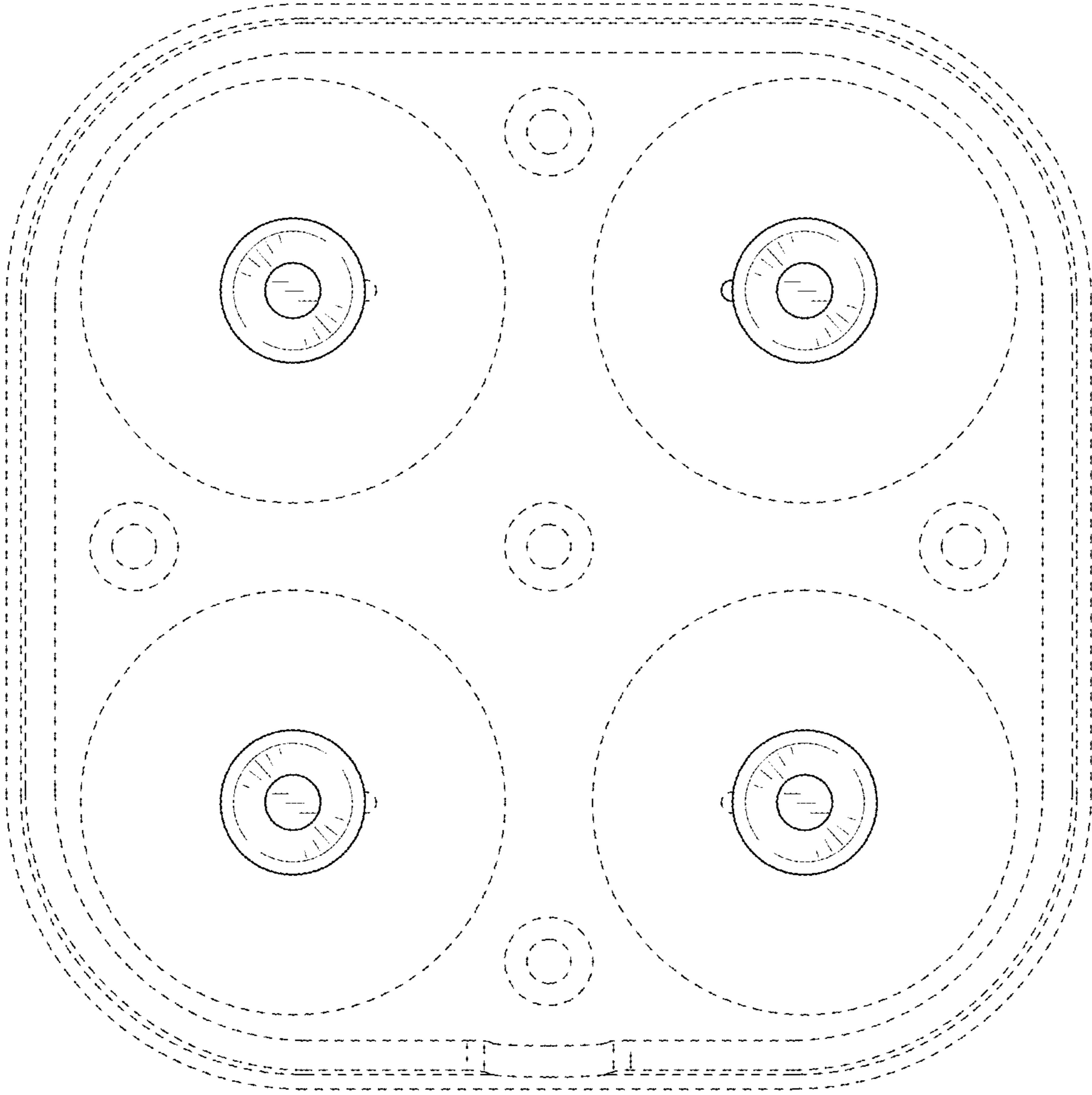


FIG. 7

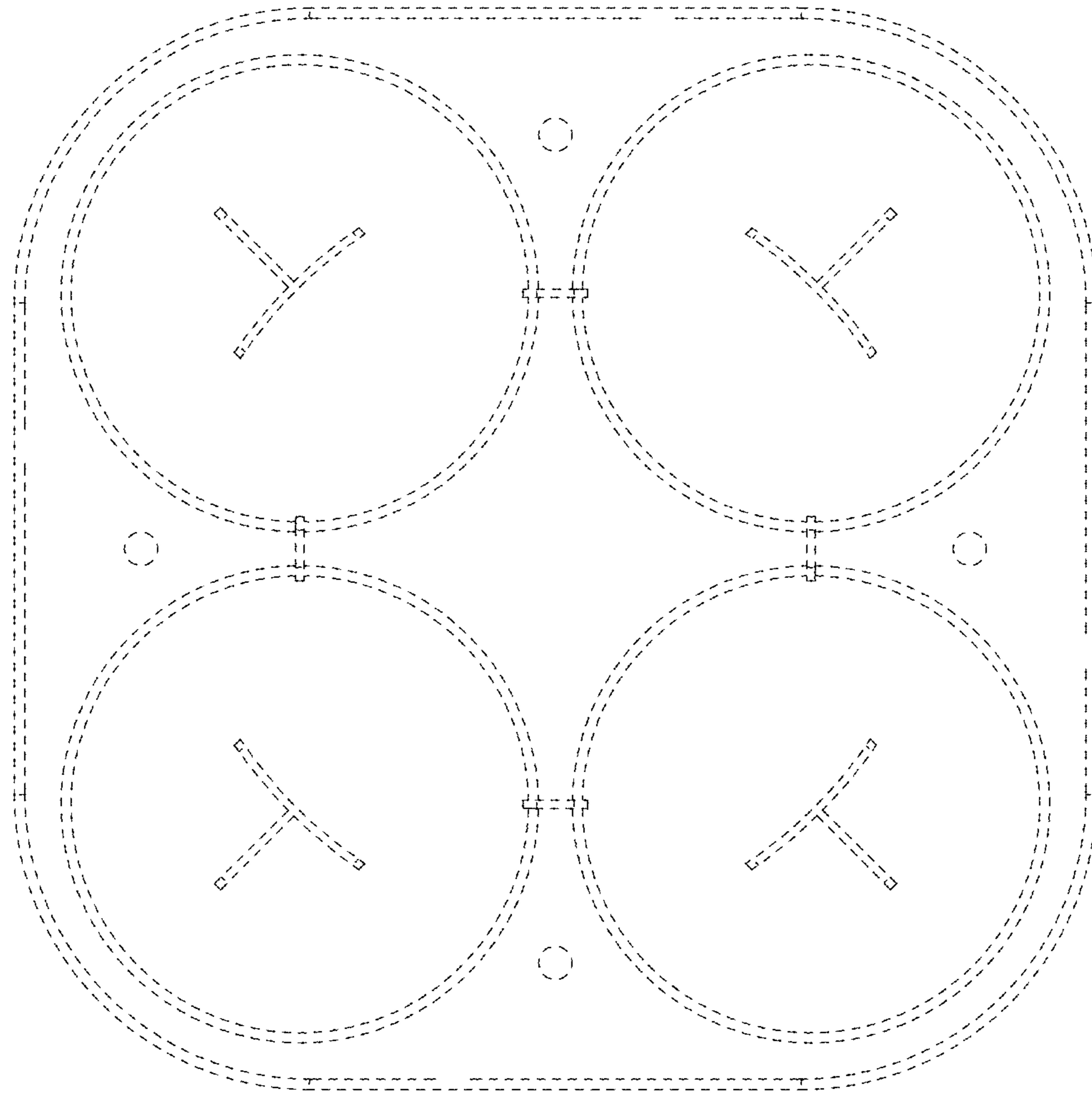


FIG. 8

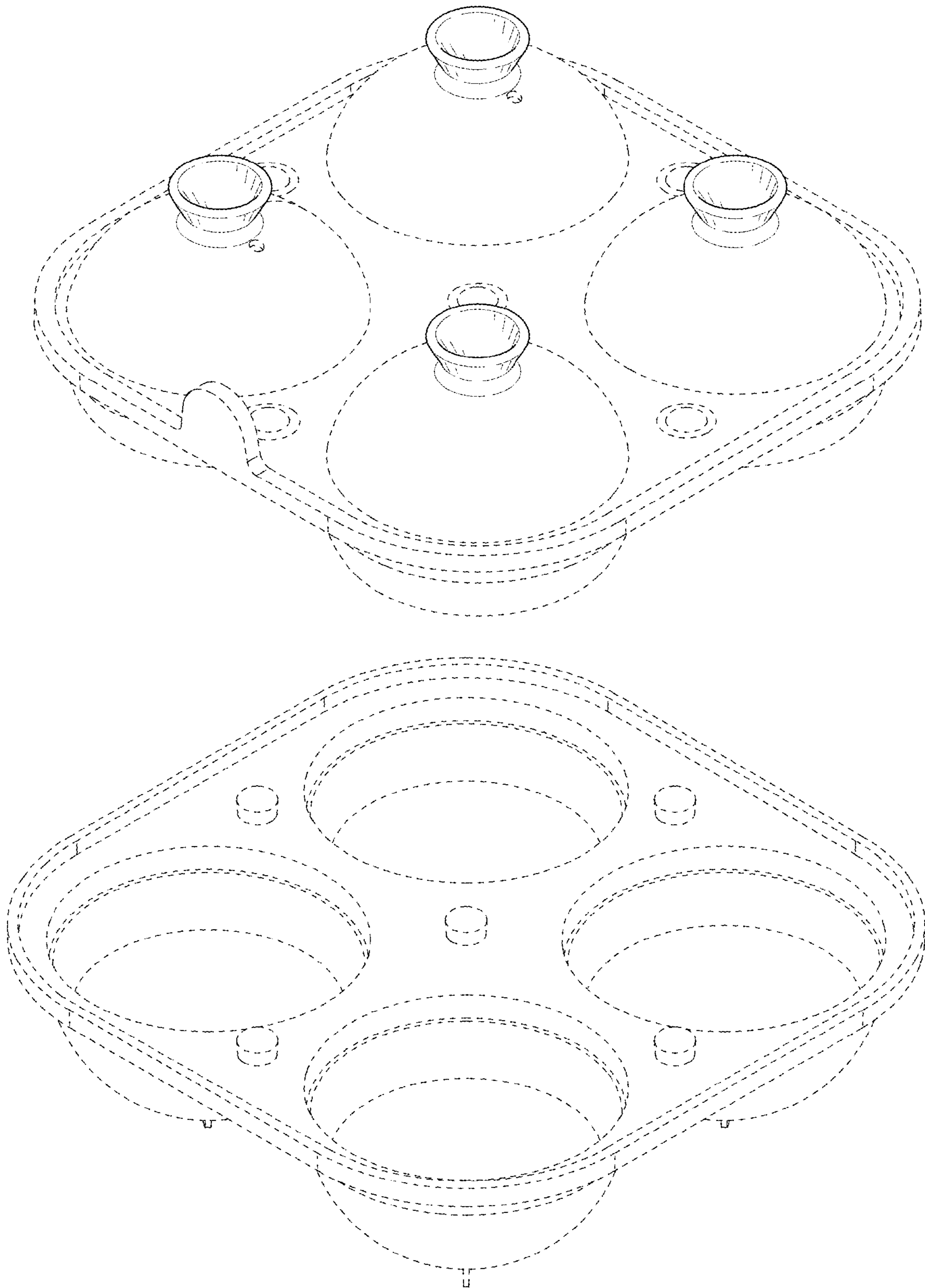


FIG. 9