



US00D908746S

(12) **United States Design Patent**
Lee et al.

(10) **Patent No.:** **US D908,746 S**
(45) **Date of Patent:** **** Jan. 26, 2021**

(54) **REFRIGERATOR**

FOREIGN PATENT DOCUMENTS

(71) Applicant: **Samsung Electronics Co., Ltd.**,
Suwon-si (KR)

CN 201530438667 2/2016
CN 201530375219 3/2016

(Continued)

(72) Inventors: **Seonju Lee**, Suwon-si (KR); **Aeryun Kim**,
Suwon-si (KR); **Jaemin Lee**,
Suwon-si (KR)

Primary Examiner — Khawaja Anwar
(74) *Attorney, Agent, or Firm* — NSIP Law

(73) Assignee: **Samsung Electronics Co., Ltd.**,
Suwon-si (KR)

(57) **CLAIM**

We claim the ornamental design for a refrigerator, as shown
and described.

(**) Term: **15 Years**

(21) Appl. No.: **29/688,715**

DESCRIPTION

(22) Filed: **Apr. 24, 2019**

(30) **Foreign Application Priority Data**

Feb. 27, 2019 (KR) 30-2019-0008881

(51) **LOC (13) Cl.** **15-07**

(52) **U.S. Cl.**
USPC **D15/89**

(58) **Field of Classification Search**

USPC D15/79-91
CPC .. F25D 11/00; F25D 17/065; F25D 2325/022;
F25D 23/069; F25D 25/025; F25D 11/02;
F25D 17/062; F25D 21/12; F25D 21/125;
F25D 21/14; F25D 2317/061; F25D
2317/067; F25D 2323/021; F25D
2323/024; F25D 23/028; F25D 23/04;
F25D 23/066; F25D 23/085; F25D
23/087; F25D 23/126; F25D 2400/02;
F25D 2400/06;

(Continued)

(56) **References Cited**

U.S. PATENT DOCUMENTS

D698,832 S * 2/2014 Lee D15/89
D713,430 S * 9/2014 Jeon D15/89

(Continued)

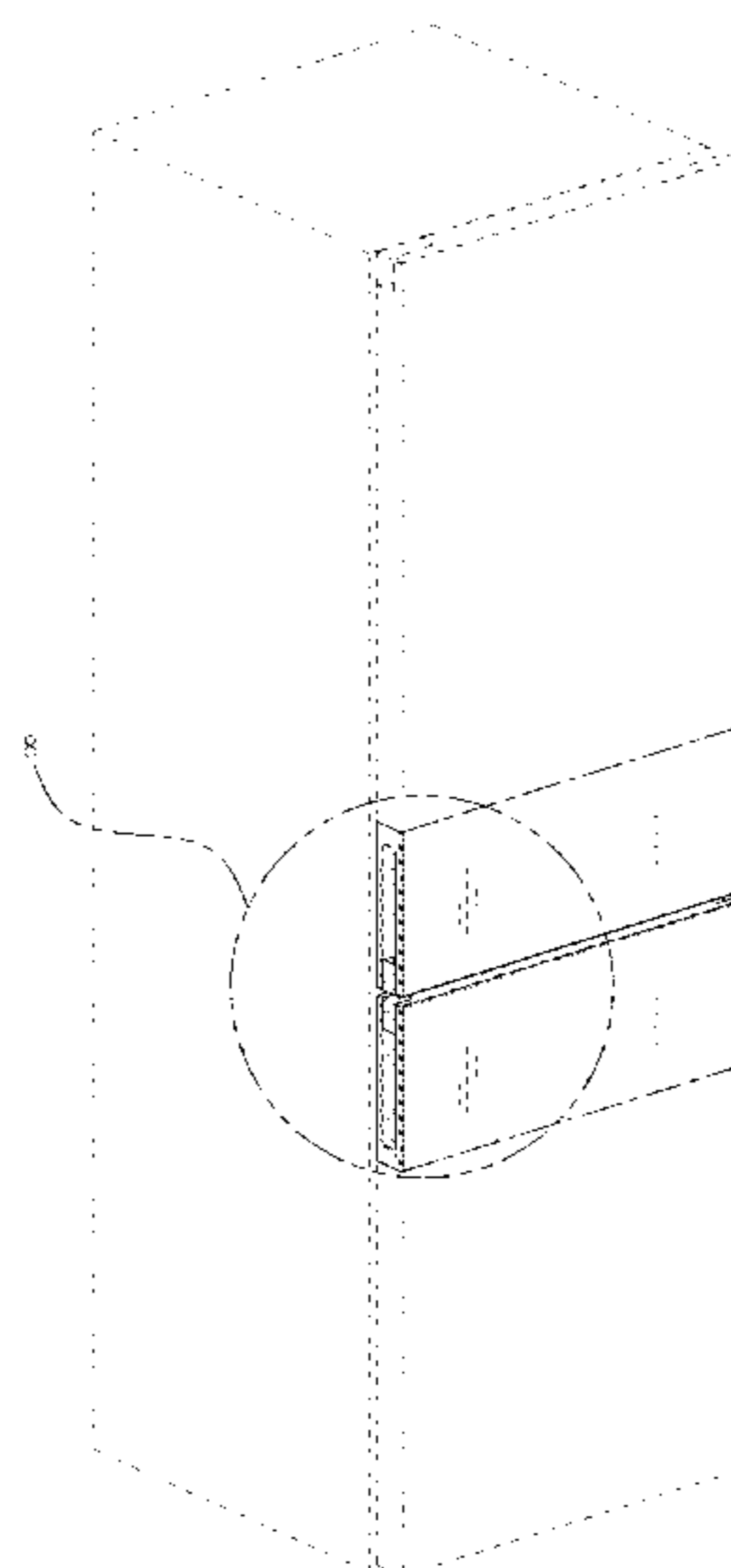
FIG. 1 is a front perspective view of a refrigerator showing
our new design;
FIG. 2 is a front view thereof;
FIG. 3 is a rear view thereof;
FIG. 4 is a left-side view thereof;
FIG. 5 is a right-side view thereof;
FIG. 6 is a top view thereof;
FIG. 7 is a bottom view thereof; and,
FIG. 8 is an enlarged view of the encircled portion in FIG.
1;
FIG. 9 is a cross-sectional view taken horizontally through
line **9-9** in FIG. **2**;
FIG. **10** is an enlarged view of the encircled portion in FIG.
9;
FIG. **11** is an exploded front perspective view thereof; and,
FIG. **12** is an enlarged view of the encircled portion in FIG.
11.

The evenly-dashed broken lines in the figures depict por-
tions of the refrigerator which form no part of the claimed
design.

The dot-dash broken lines in the figures represent boundar-
ies of the claimed design and form no part thereof.

The dot-dot-dash broken lines encircling portions of the
claimed design that are illustrated in enlargements form no
part of the claimed design.

1 Claim, 12 Drawing Sheets



(58) **Field of Classification Search**

CPC F25D 2400/361; F25D 2400/40; F25D
25/005; F25D 25/02; F25D 2600/02;
F25D 2700/02; F25D 2700/12; F25D
2700/121; F25D 2700/14; F25D 29/00

See application file for complete search history.

(56) **References Cited**

U.S. PATENT DOCUMENTS

D713,864	S	*	9/2014	Kim	D15/89
D729,287	S	*	5/2015	Lee	D15/89
D732,090	S	*	6/2015	Sin	D15/89
D768,735	S	*	10/2016	Choi	D15/89
D768,736	S	*	10/2016	Choi	D15/89
D803,279	S	*	11/2017	Cho	D15/89
D822,073	S	*	7/2018	Lee	D15/89
D824,964	S	*	8/2018	Kim	D15/89
D825,624	S	*	8/2018	Kwon	D15/91
D859,480	S	*	9/2019	Hynes	D15/89
D880,544	S	*	4/2020	Kim	D15/91

FOREIGN PATENT DOCUMENTS

CN	201730362791	1/2018
EM	003055698-0003	5/2016
WO	DM/093 153	10/2016

* cited by examiner

FIG. 1

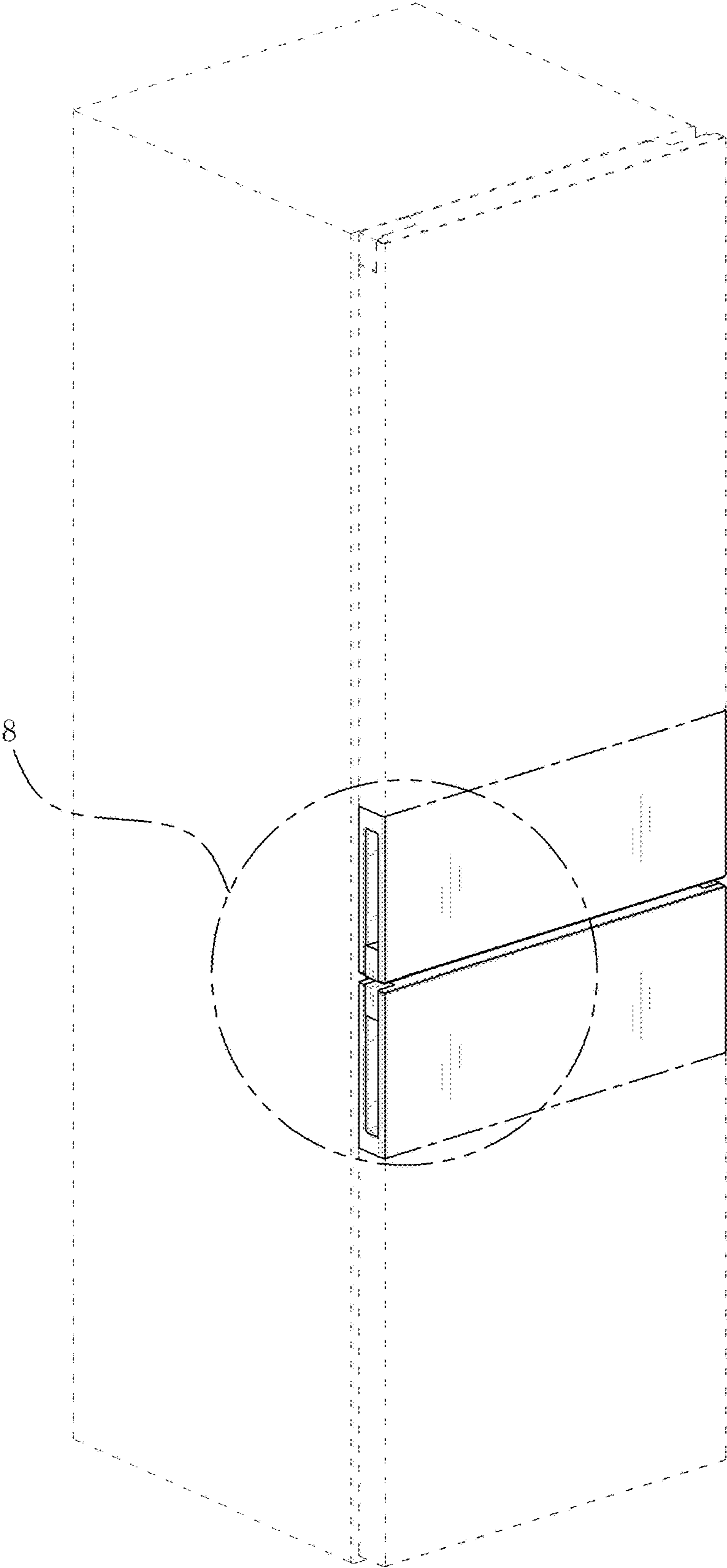


FIG. 2

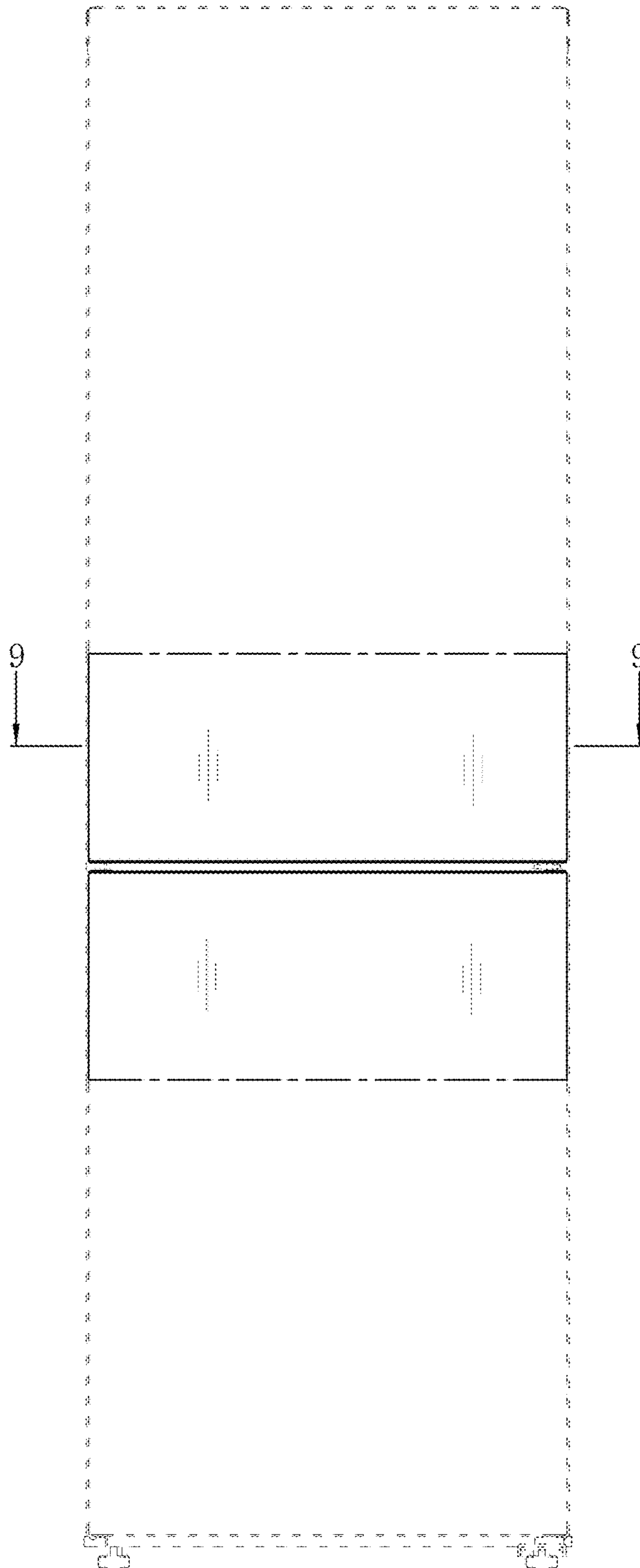


FIG. 3



FIG. 4

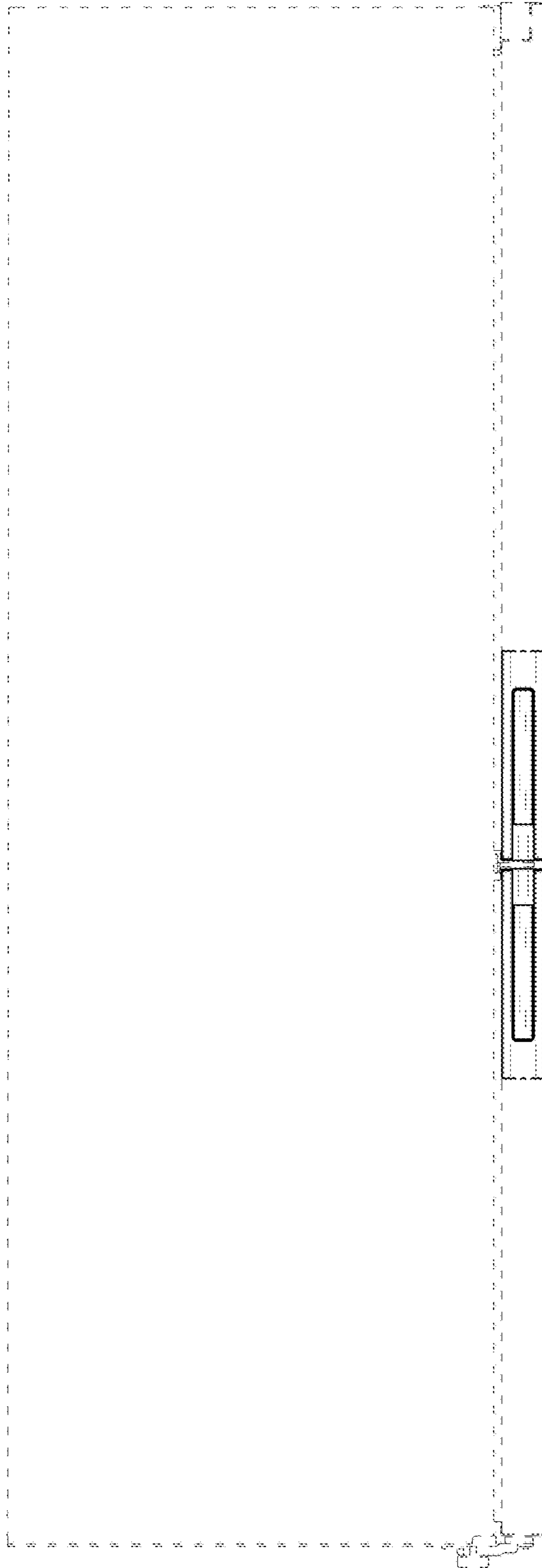


FIG. 5

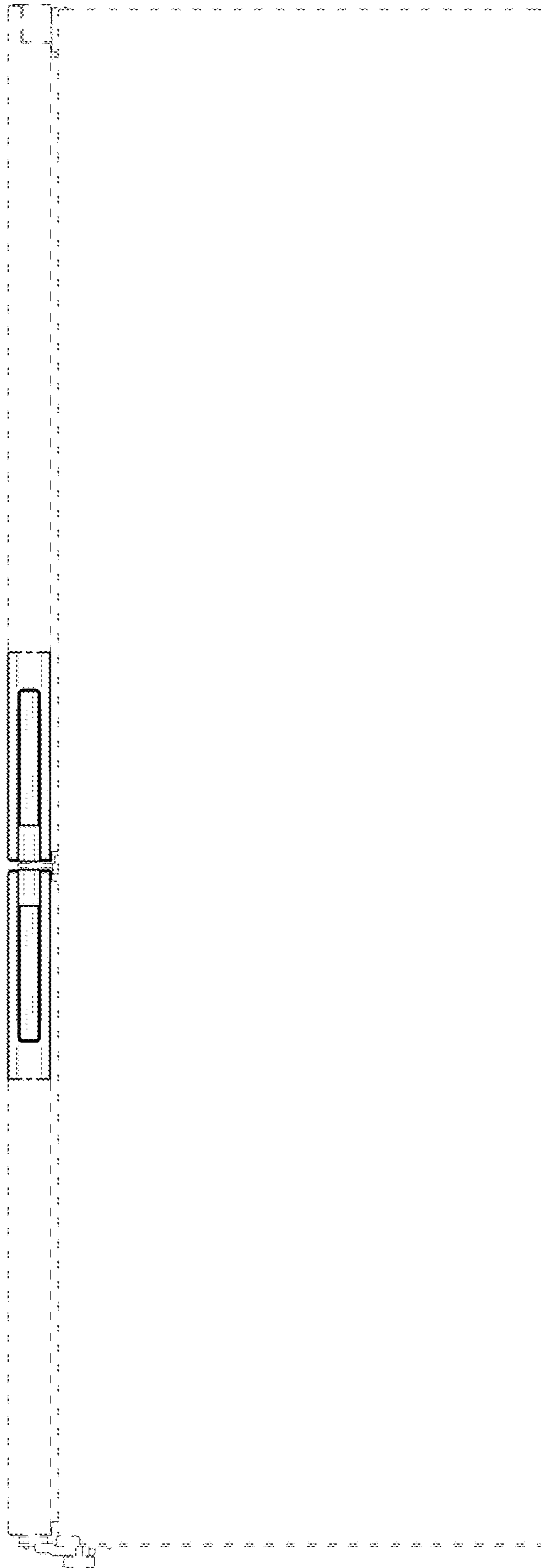


FIG. 6

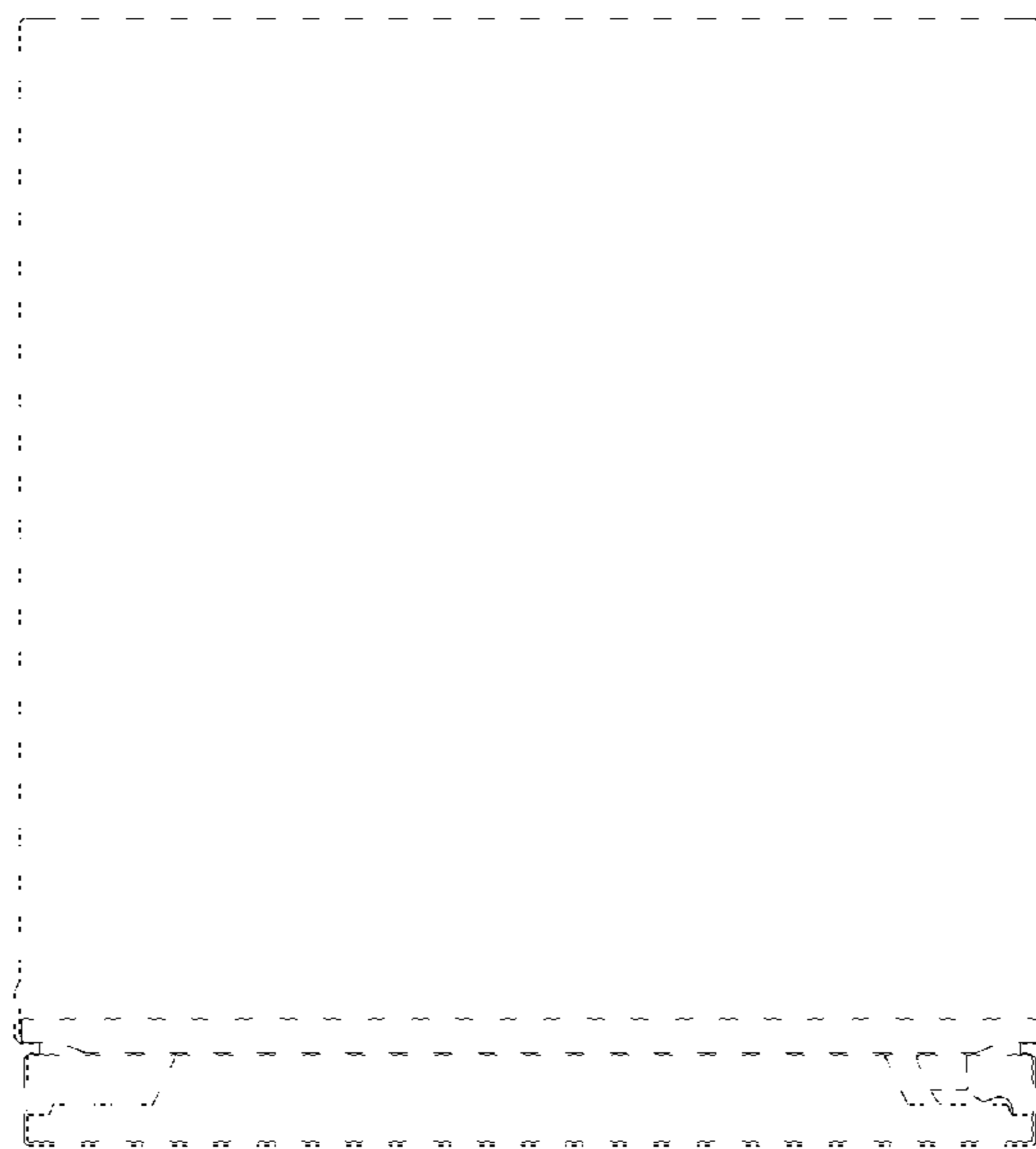


FIG. 7

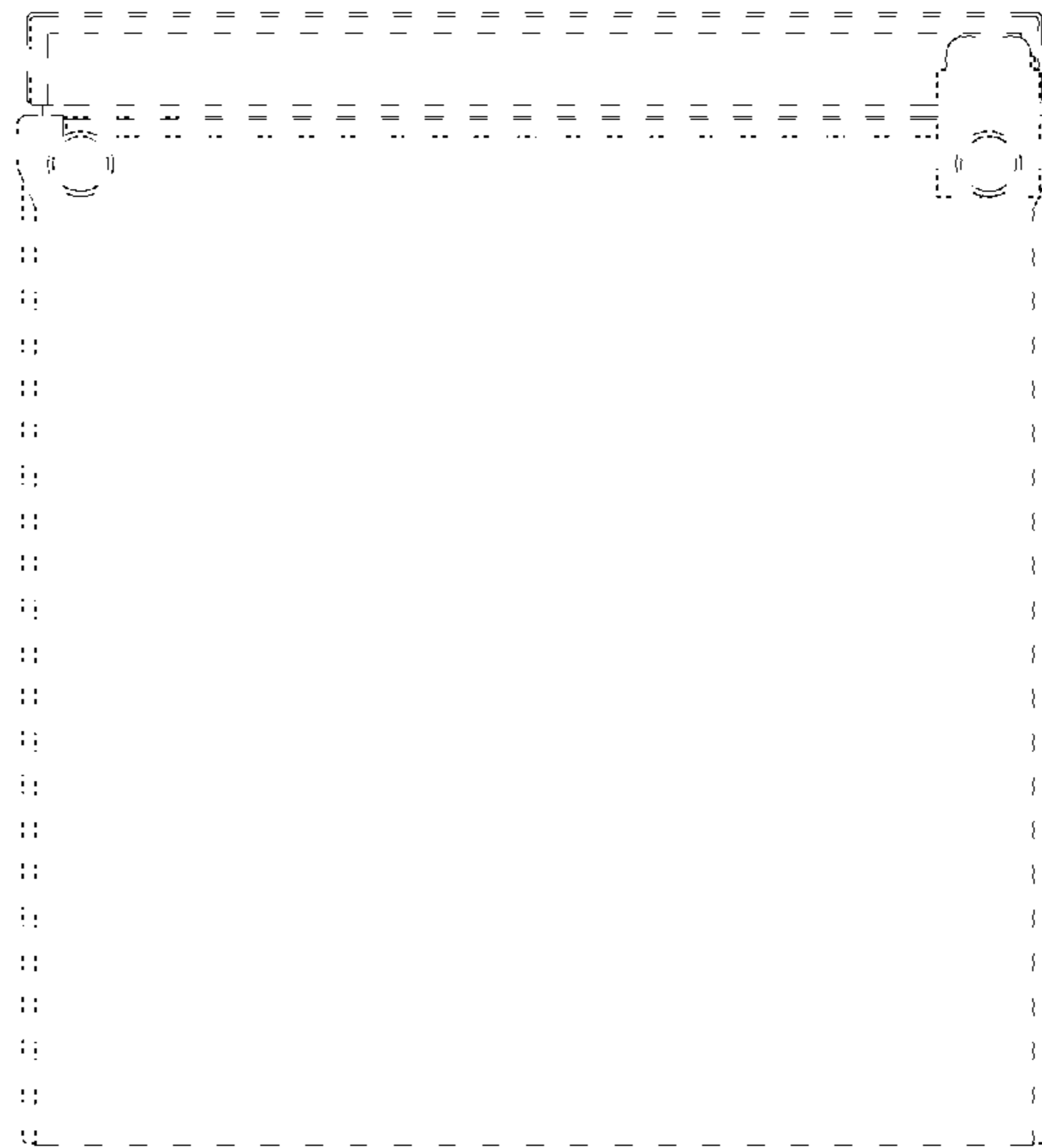


FIG. 8

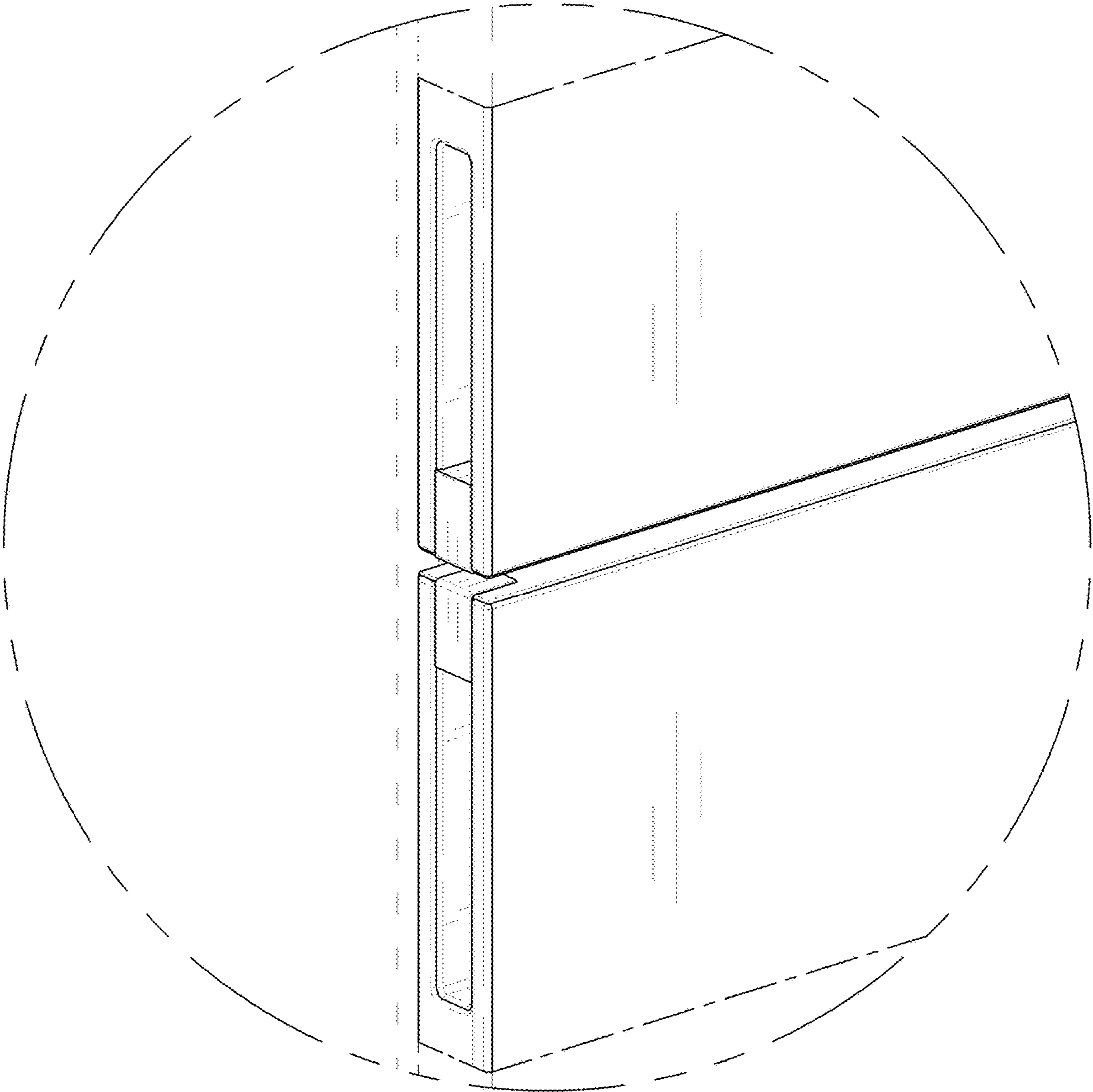


FIG. 9

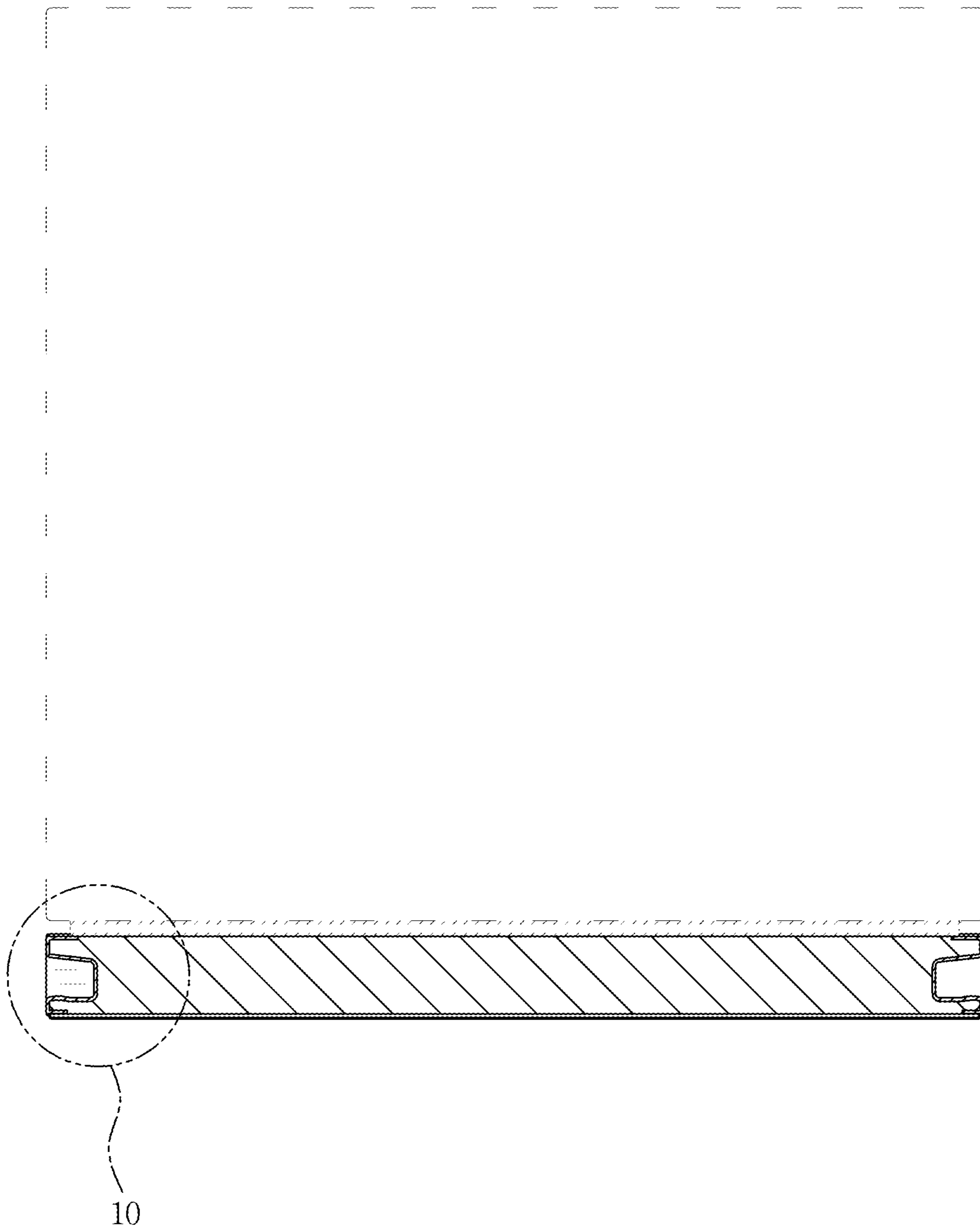


FIG. 10

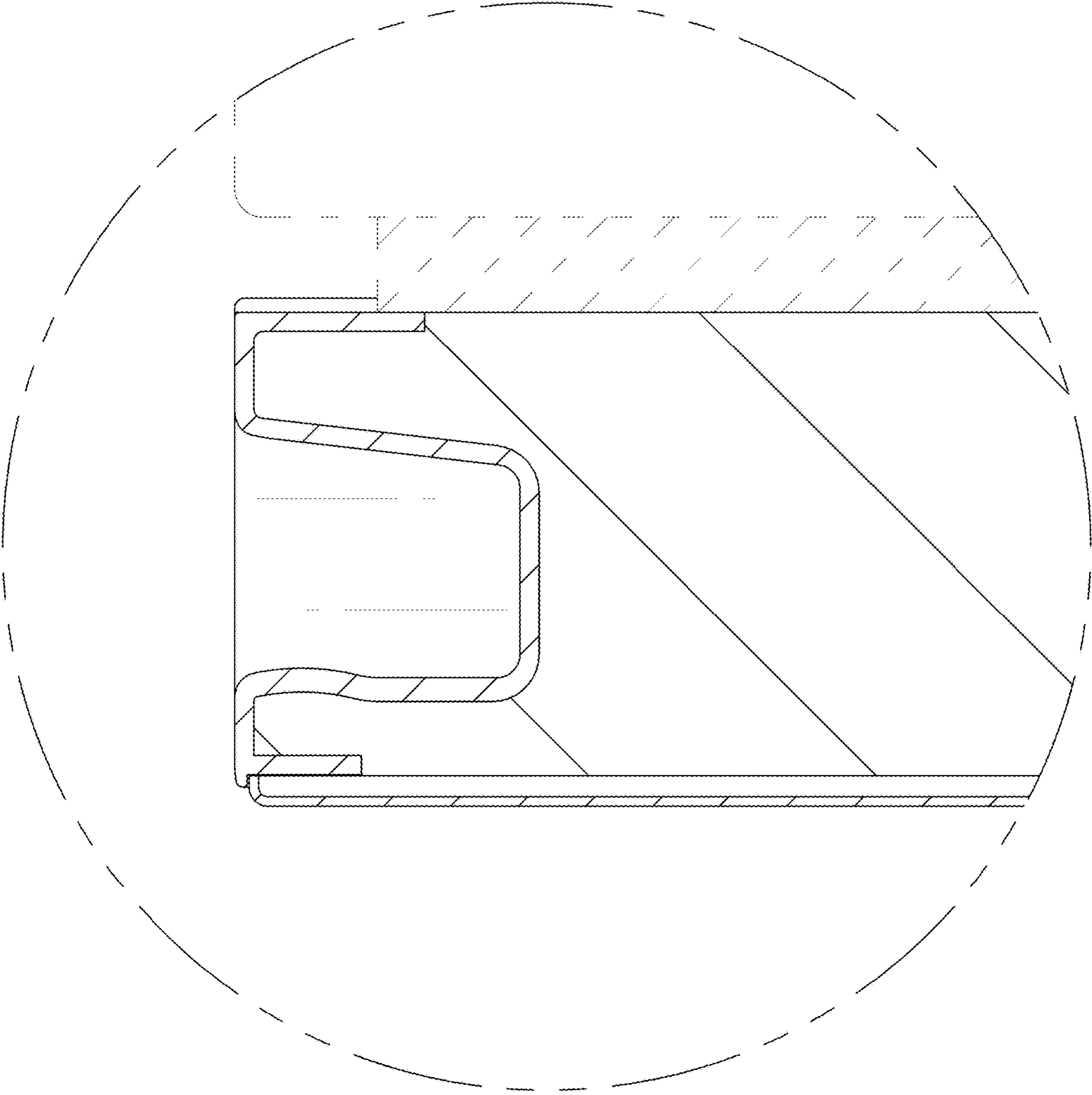


FIG. 11

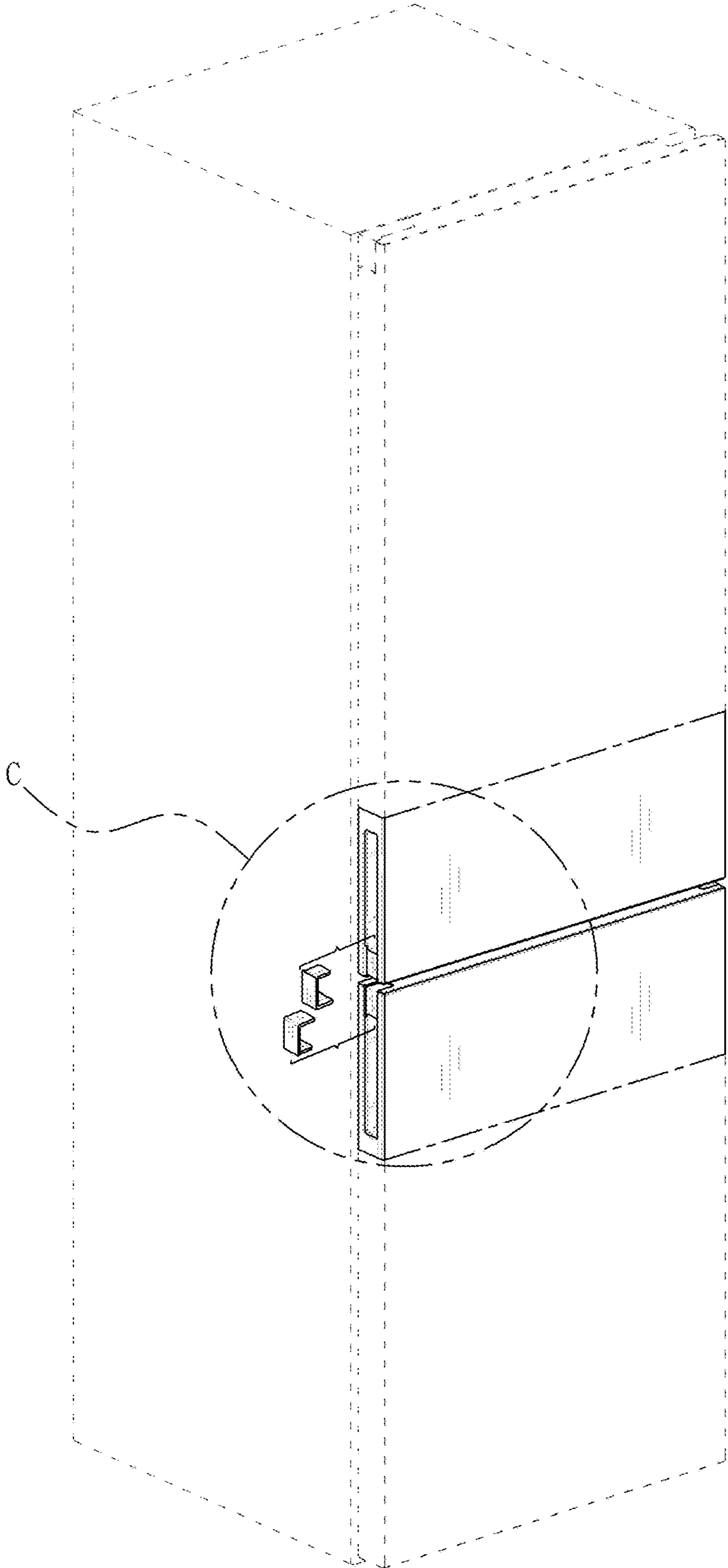


FIG. 12

