



US00D908745S

(12) **United States Design Patent** (10) **Patent No.:** **US D908,745 S**
Salin (45) **Date of Patent:** **** Jan. 26, 2021**

(54) **FROZEN BEVERAGE PRODUCTION MACHINE**

(56) **References Cited**

(71) Applicant: **Marco Corrado Ugolini**, Milan (IT)

(72) Inventor: **Federico Franco Maria Salin**, Milan (IT)

(**) Term: **15 Years**

(21) Appl. No.: **35/506,660**

(22) Filed: **Dec. 21, 2018**

(80) **Hague Agreement Data**

Int. Filing Date: **Dec. 21, 2018**

Int. Reg. No.: **DM/200567**

Int. Reg. Date: **Dec. 21, 2018**

Int. Reg. Pub. Date: **Apr. 19, 2019**

(51) **LOC (13) Cl.** **15-07**

(52) **U.S. Cl.**
USPC **D15/82**

CPC **F25B 21/02** (2013.01)

(58) **Field of Classification Search**

USPC D15/79-84, 89, 90; D7/300, 303-311

CPC F25B 21/02; F25B 2321/02; F25B 1/005;

F25B 2321/0252; F25B 1/00; F25B 1/10;

F25B 21/04; F25B 2339/047; F25B 5/02;

F25B 7/00; F25B 13/00; F25B 1/053;

F25B 2309/06; F25B 2321/021; F25B

2321/023; F25D 23/028; F25D 23/02;

F25D 25/025; F25D 23/00; F25D

2323/021; F25D 11/00; F25D 2323/024;

F25D 23/04; F25D 29/00; F25D 25/02;

F25D 25/024; F25D 27/005; F25D 23/12;

F25D 29/005; F25D 17/042; F25D

2325/021

See application file for complete search history.

U.S. PATENT DOCUMENTS

D251,847 S *	5/1979	Carvel	D15/82
D261,890 S *	11/1981	Caspersen	D15/81
D378,215 S *	2/1997	Gander	D15/82
D466,138 S *	11/2002	Baldonado	D15/82
D485,566 S *	1/2004	Ledingham	D15/82
D535,668 S *	1/2007	Moore	D15/82
D651,619 S *	1/2012	Salin	D15/82
D662,526 S *	6/2012	Tulisi	D15/82
D667,675 S *	9/2012	Bouwknegt	D15/82
D671,568 S *	11/2012	Pelayo	D15/82
D671,963 S *	12/2012	Pelayo	D15/82
D685,399 S *	7/2013	Pelayo	D15/82
D689,102 S *	9/2013	Ugolini	D15/82
D694,287 S *	11/2013	Salin	D15/82
D711,933 S *	8/2014	Hollinger	D15/82
D848,212 S *	5/2019	Mohammed	D7/397
D873,869 S *	1/2020	Lazzarini	D15/82

* cited by examiner

Primary Examiner — Richard E Chilcot

(57) **CLAIM**

I claim the ornamental design for a frozen beverage production machine, as shown and described.

DESCRIPTION

FIG. 1.1 is a rear view of my new design for a frozen beverage production machine;

FIG. 1.2 is a bottom view thereof;

FIG. 1.3 is a top view thereof;

FIG. 1.4 is a right side view thereof;

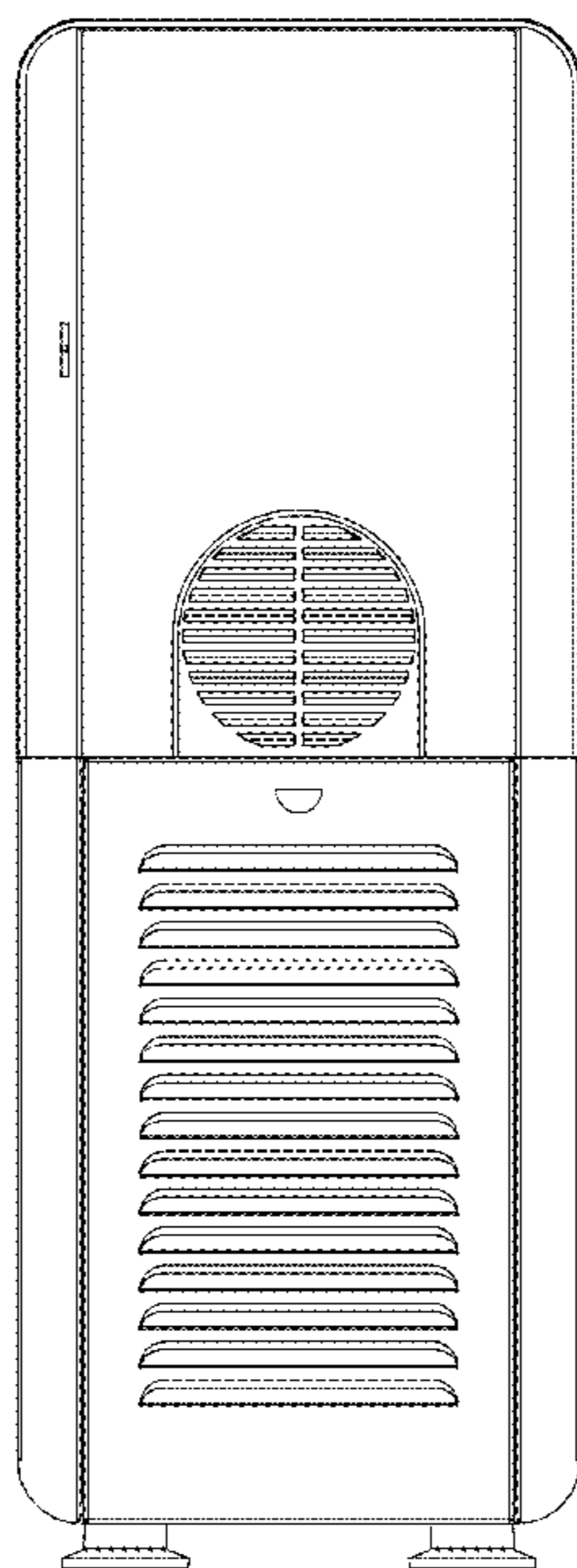
FIG. 1.5 is a front view thereof;

FIG. 1.6 is a left side view thereof; and

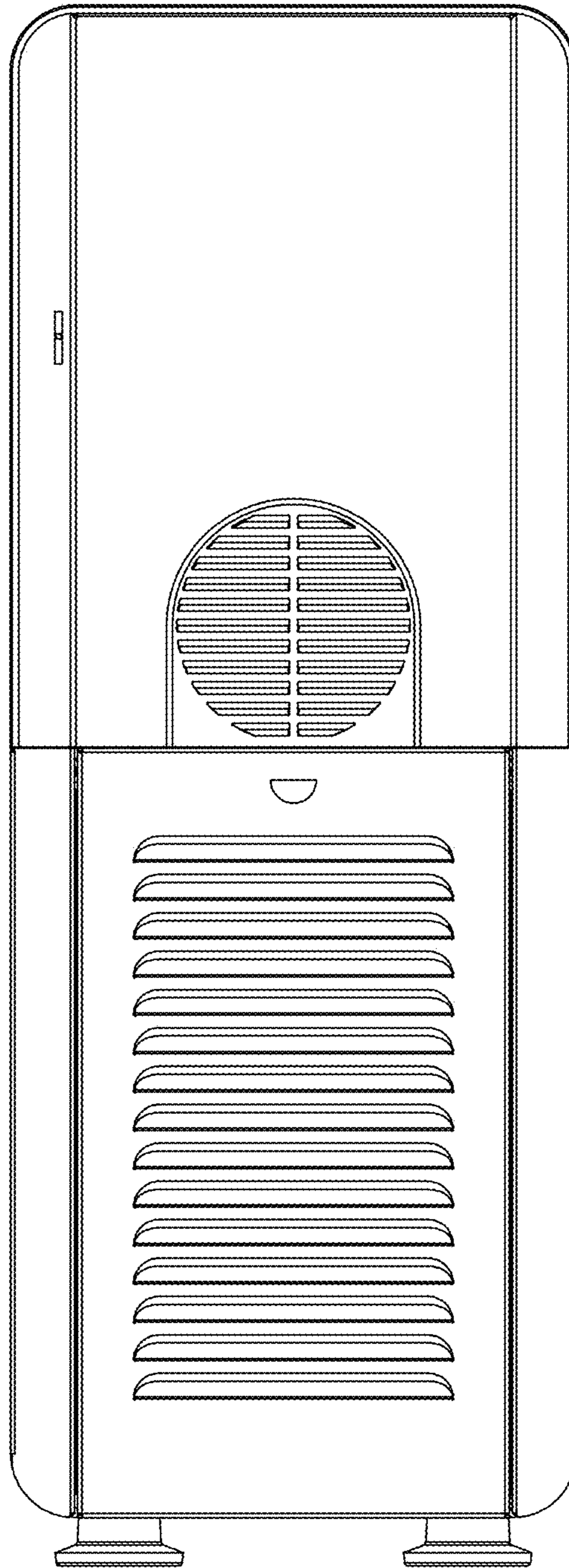
FIG. 1.7 is a perspective view thereof.

The broken lines form no part of the claimed design.

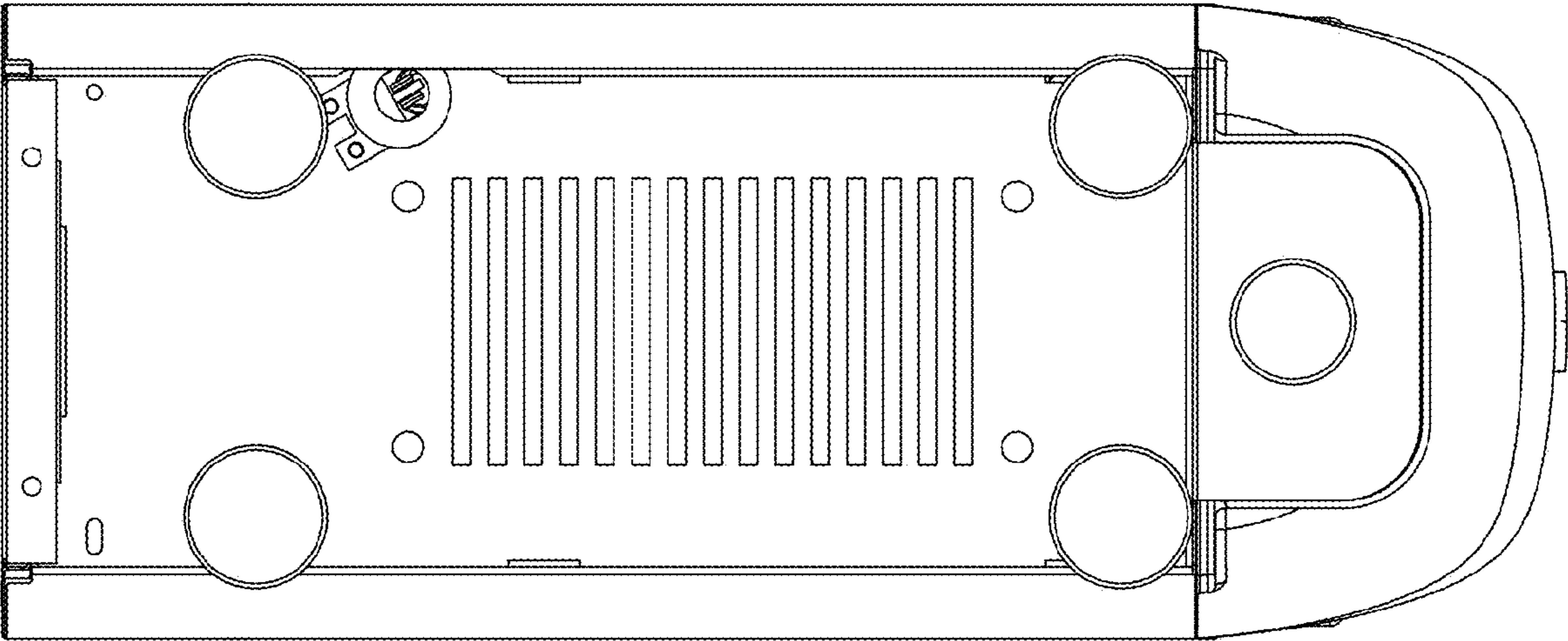
1 Claim, 7 Drawing Sheets



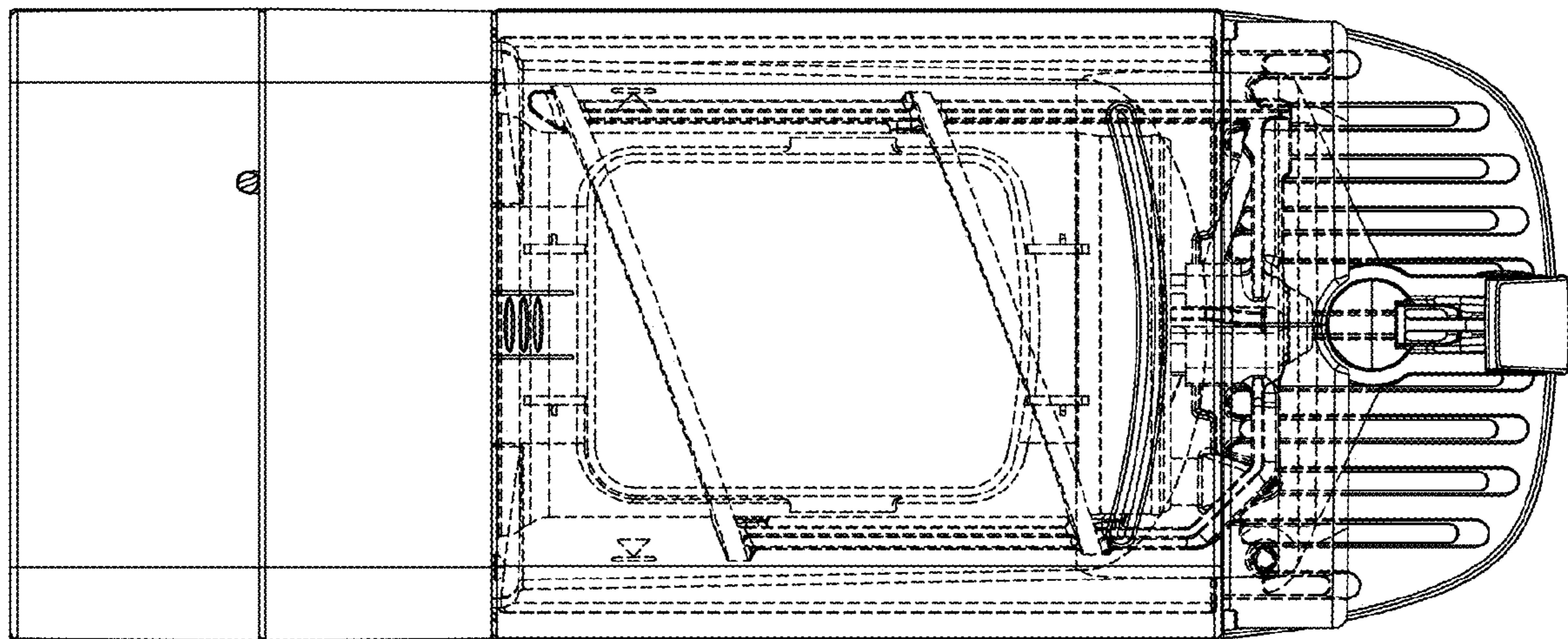
1.1



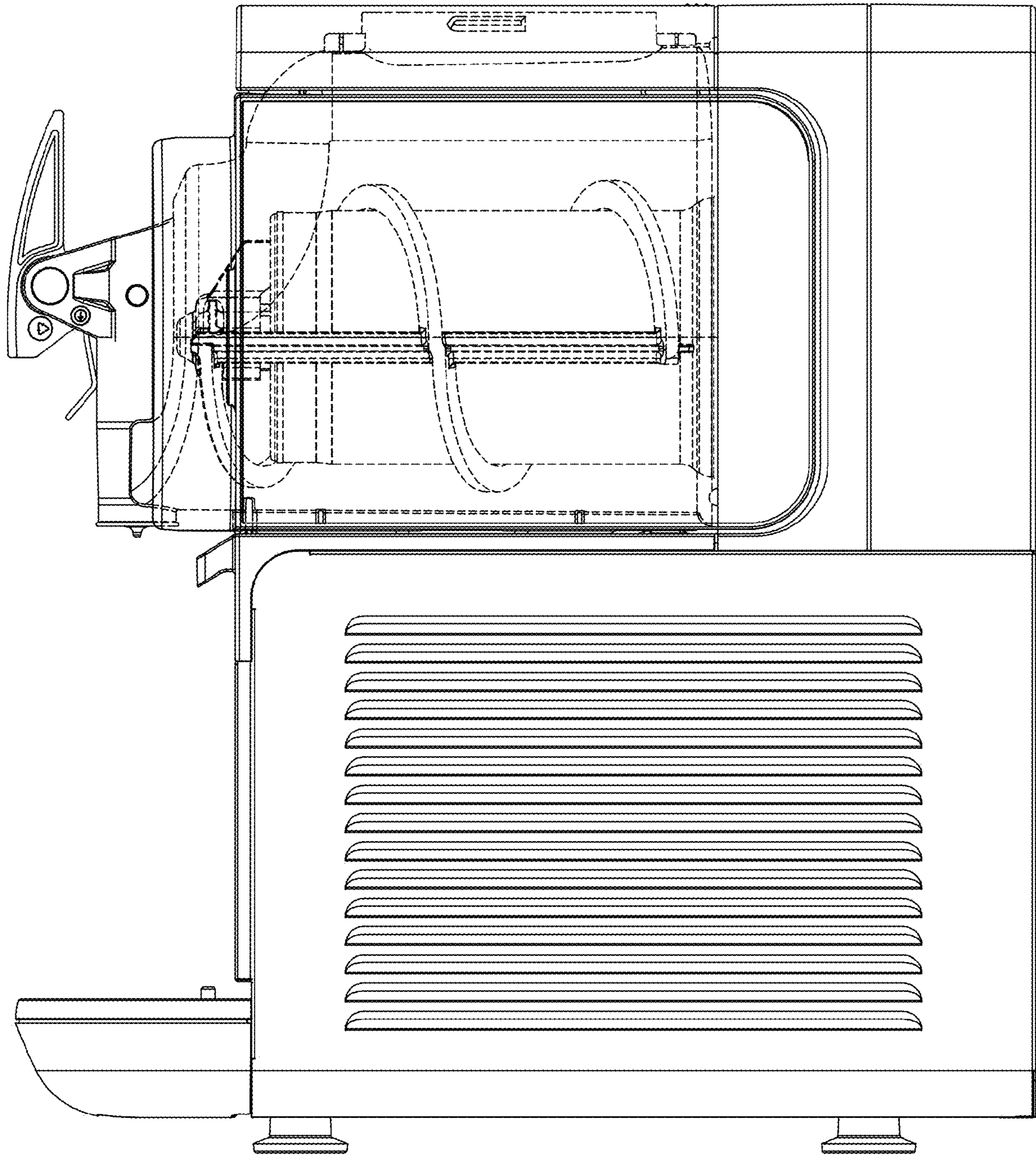
1.2



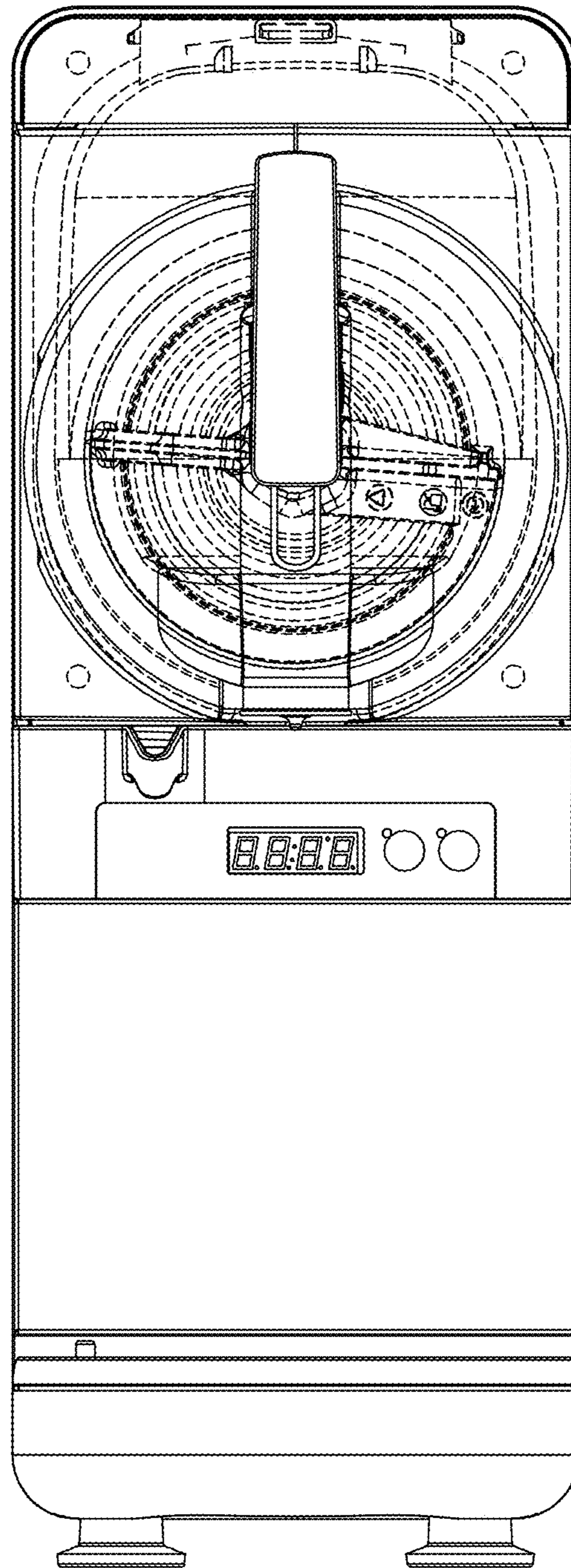
1.3



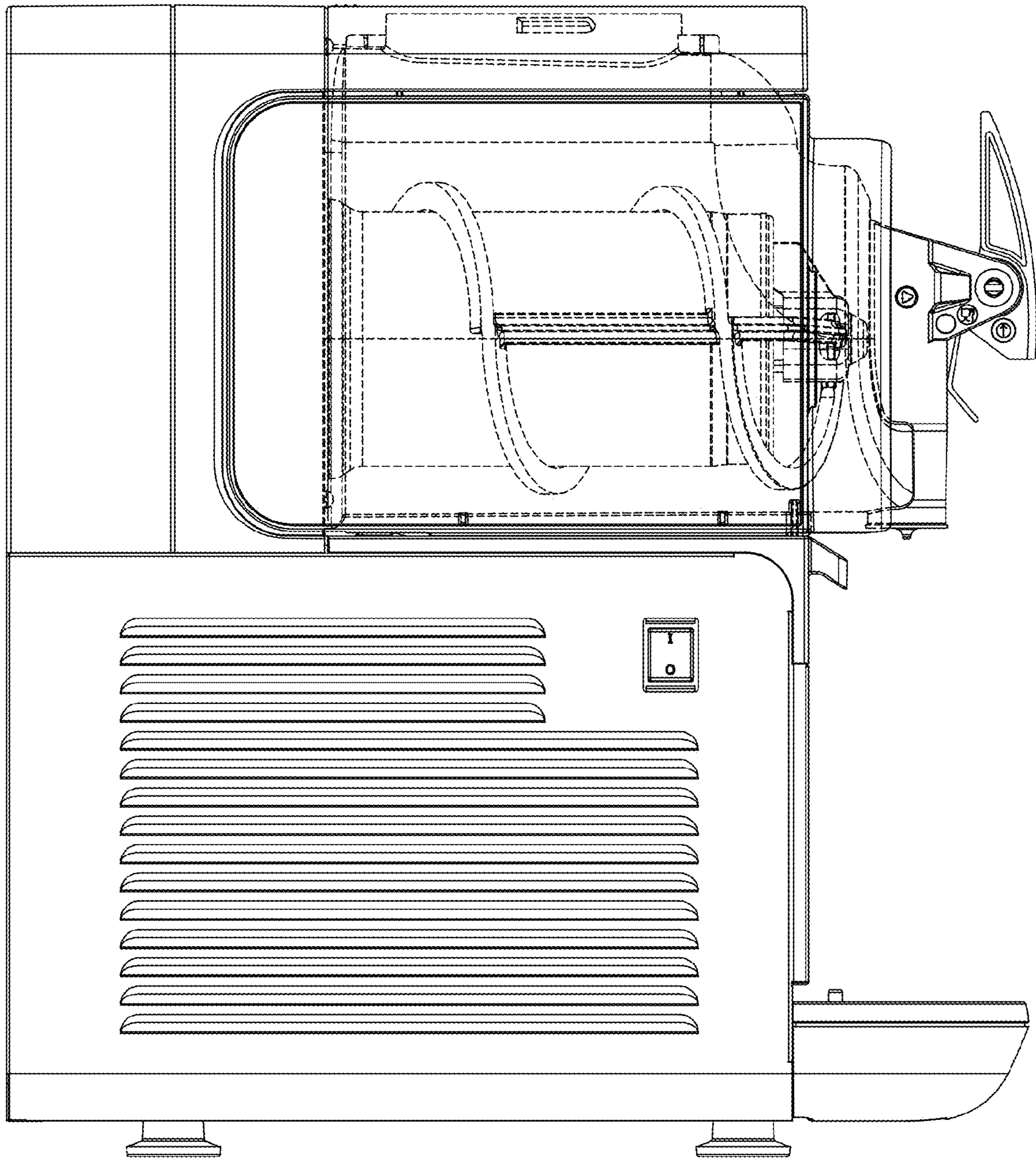
1.4



1.5



1.6



1.7

