

US00D908744S

(12) **United States Design Patent** (10) **Patent No.:** **US D908,744 S**  
**Manuel et al.** (45) **Date of Patent:** **\*\* Jan. 26, 2021**

(54) **SEWING MACHINE**

(56) **References Cited**

(71) Applicant: **PFAFF INDUSTRIESYSTEME UND MASCHINEN GMBH**, Kaiserslautern (DE)

U.S. PATENT DOCUMENTS

(72) Inventors: **Karl-Ludwig Manuel**, Otterbach (DE);  
**Christian Barsties**, Weilerbach (DE)

D250,116 S	*	10/1978	LaPolice .....	D15/69
D375,104 S	*	10/1996	Shibuya .....	D15/69
D465,794 S	*	11/2002	Tsai .....	D15/69
D468,324 S	*	1/2003	Tsai .....	D15/69
D515,107 S	*	2/2006	Kawaguchi .....	D15/69
D515,108 S	*	2/2006	Kawaguchi .....	D15/69
D515,109 S	*	2/2006	Iwai .....	D15/69
D523,031 S	*	6/2006	Muto .....	D15/69
D693,378 S	*	11/2013	Yamamoto .....	D15/69
D727,373 S	*	4/2015	Drechsel .....	D15/69
D752,659 S	*	3/2016	Schneider .....	D15/69
D753,732 S	*	4/2016	Schneider .....	D15/69
D804,540 S	*	12/2017	Kanai .....	D15/69

(73) Assignee: **PFAFF INDUSTRIESYSTEME UND MASCHINEN GMBH**

(\*\*) Term: **15 Years**

\* cited by examiner

(21) Appl. No.: **29/660,408**

*Primary Examiner* — Richard E Chilcot  
(74) *Attorney, Agent, or Firm* — Lucian Wayne Beavers;  
Patterson Intellectual Property Law, PC

(22) Filed: **Aug. 21, 2018**

**Related U.S. Application Data**

(62) Division of application No. 35/502,066, filed on Aug. 1, 2016 (U.S. filing date under 35 U.S.C. 384), and having an international filing date of Aug. 1, 2016, now Pat. No. Des. 828,407.

(57) **CLAIM**

The ornamental design for a sewing machine, as shown and described.

(51) **LOC (13) Cl.** ..... **15-06**

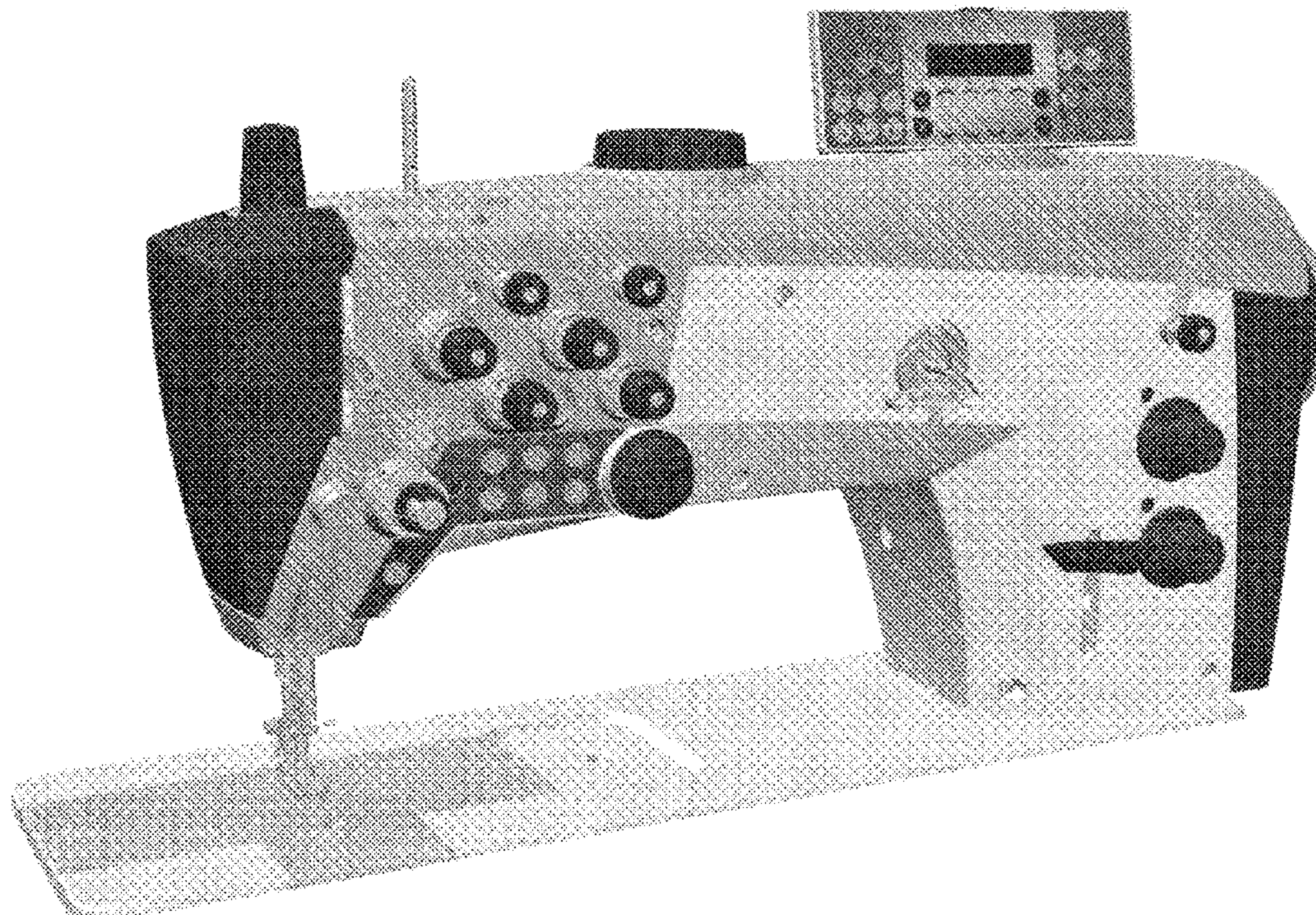
**DESCRIPTION**

(52) **U.S. Cl.**  
USPC ..... **D15/69**  
CPC ..... **D05B 1/00 (2013.01)**

FIG. 1 is a back view of the sewing machine.  
FIG. 2 is a right view of the sewing machine of FIG. 1.  
FIG. 3 is a left view of the sewing machine of FIG. 1.  
FIG. 4 is a front view of the sewing machine of FIG. 1.  
FIG. 5 is a perspective view of the sewing machine of FIG. 1; and,  
FIG. 6 is a perspective view of the sewing machine of FIG. 1.

(58) **Field of Classification Search**  
USPC ..... D15/66-78; 112/217.1-217.4, 255-261, 112/475.01  
CPC ..... D05B 1/00-25/00  
See application file for complete search history.

**1 Claim, 6 Drawing Sheets**





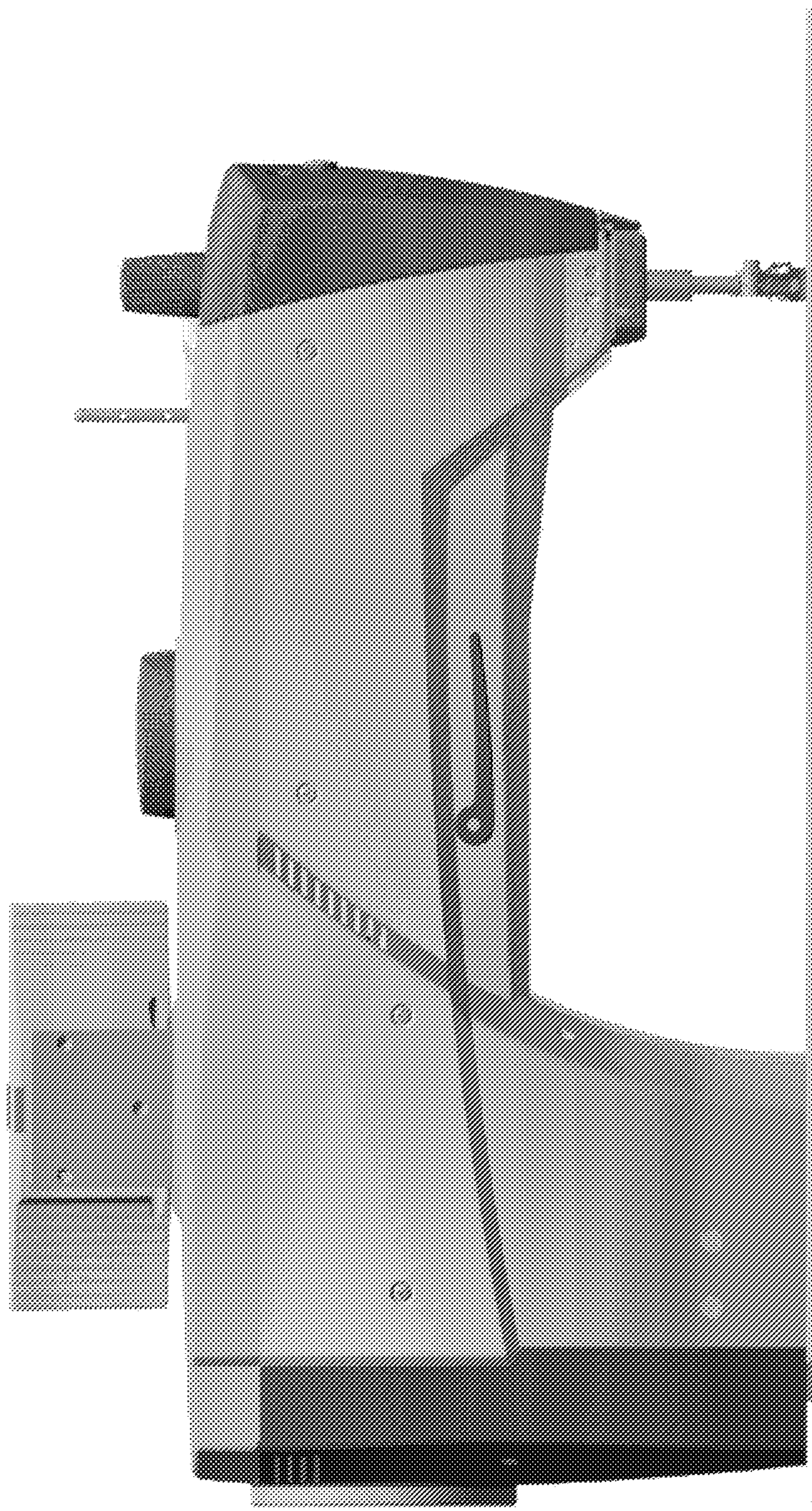
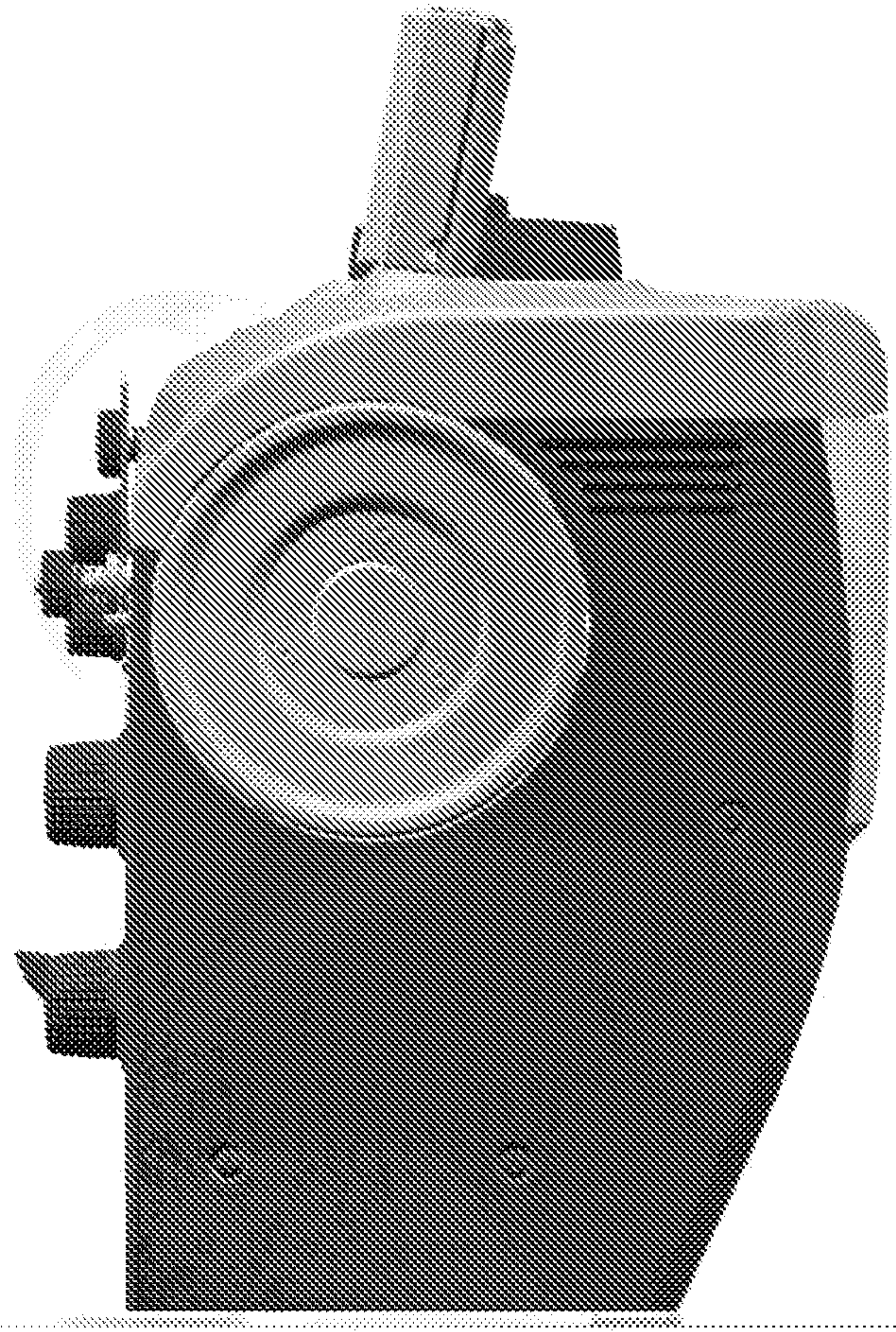
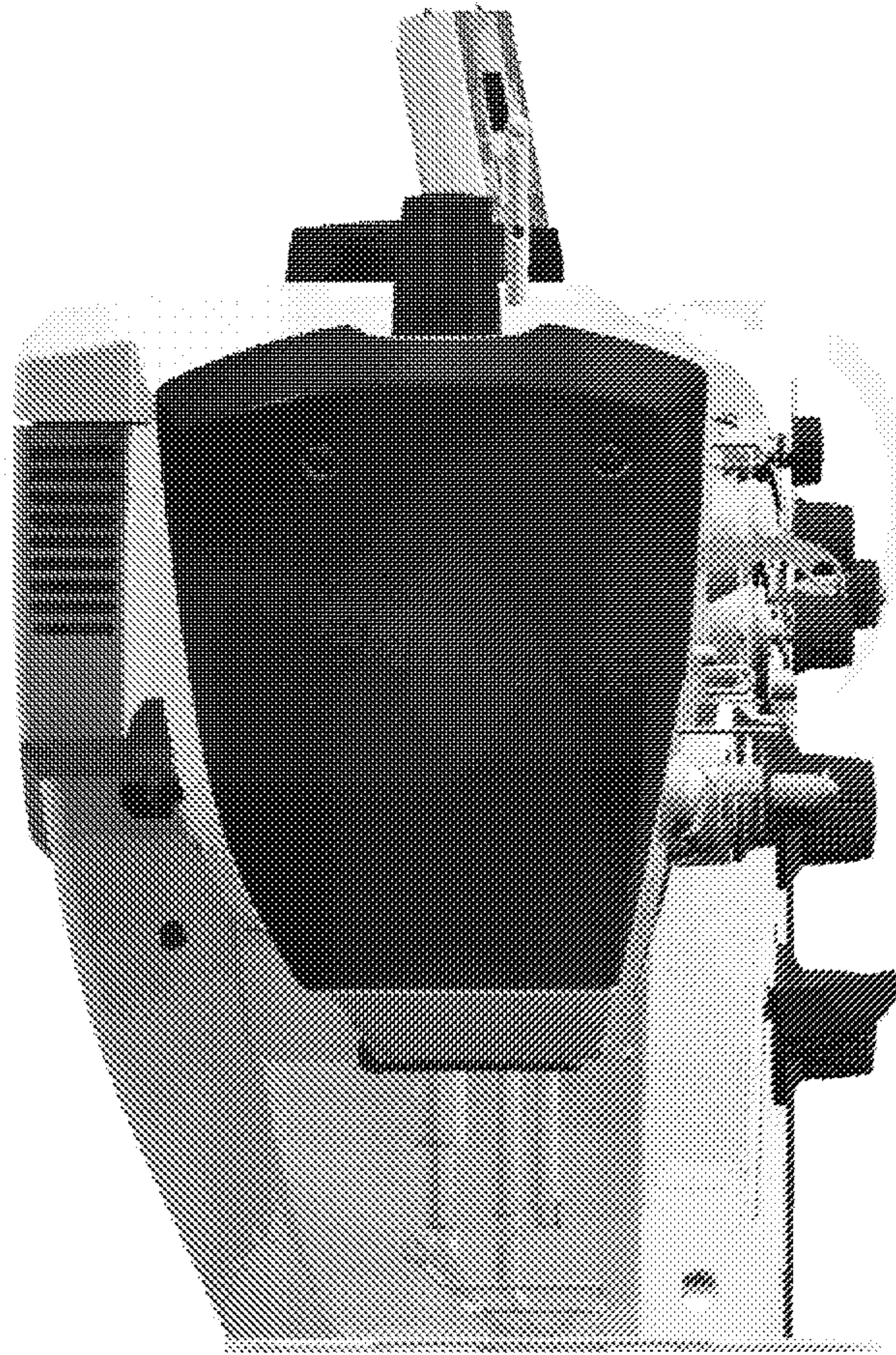


FIG. 1





*FIG. 2*



*FIG. 3*



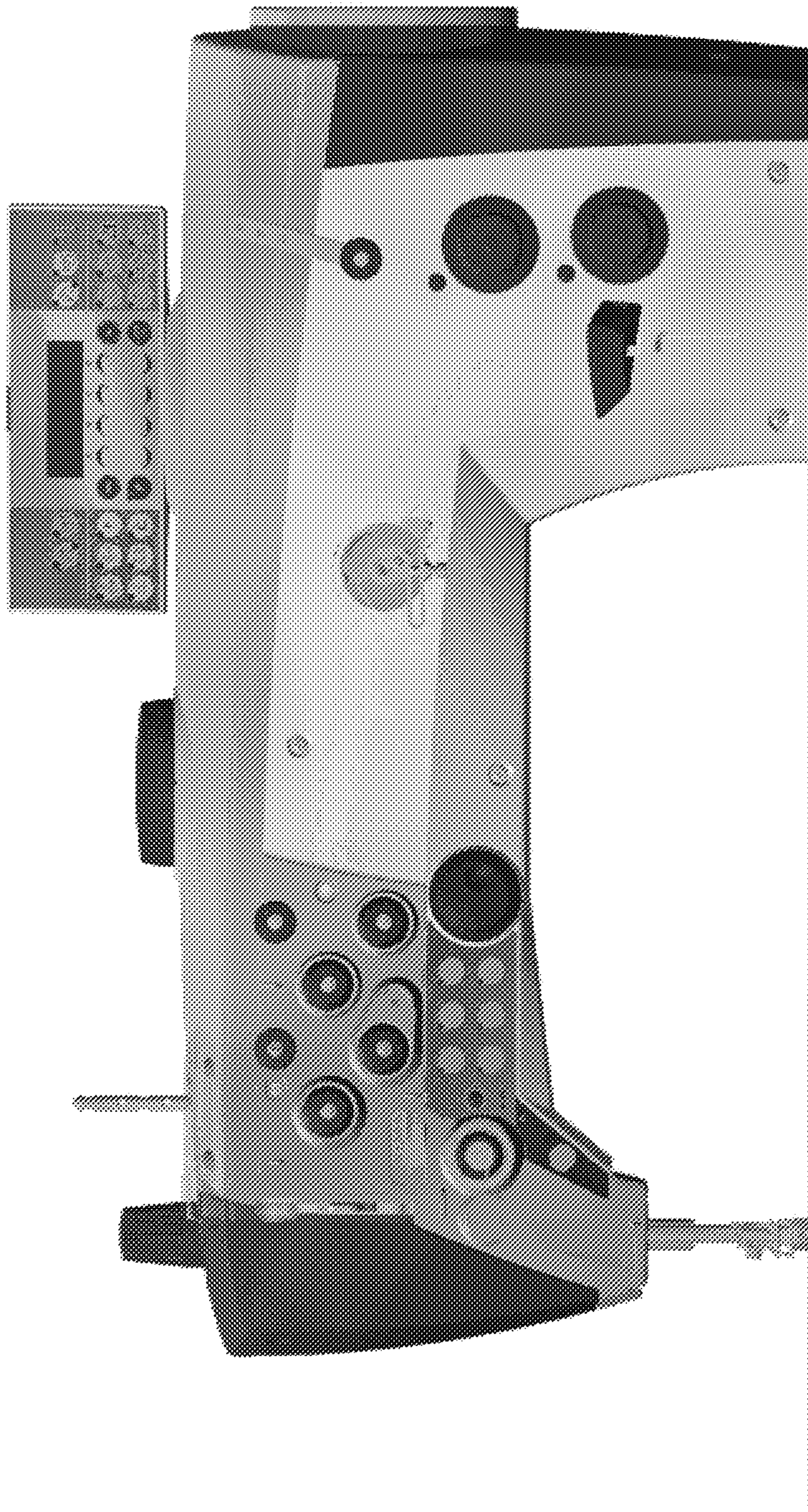


FIG. 4



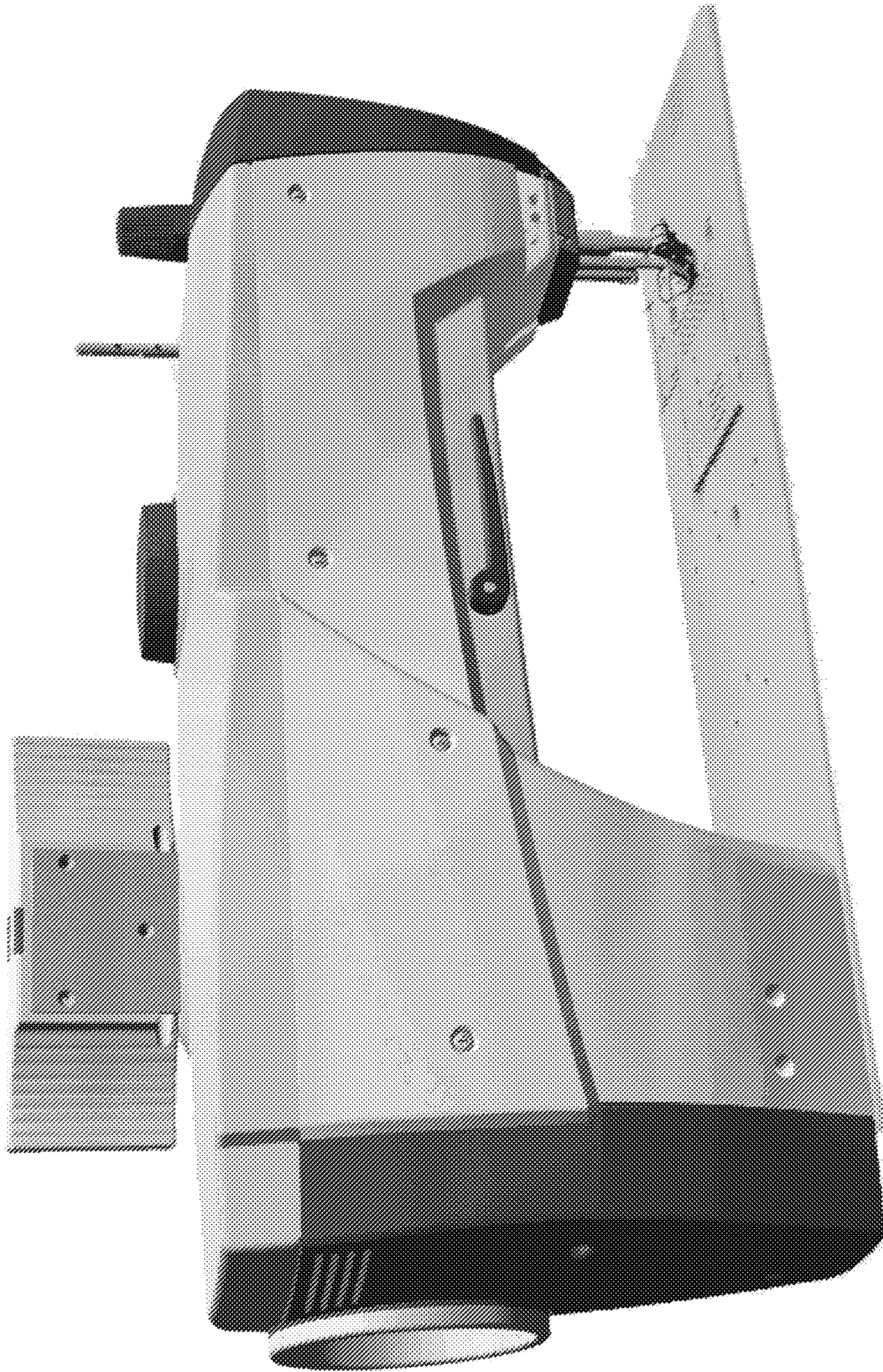


FIG. 5



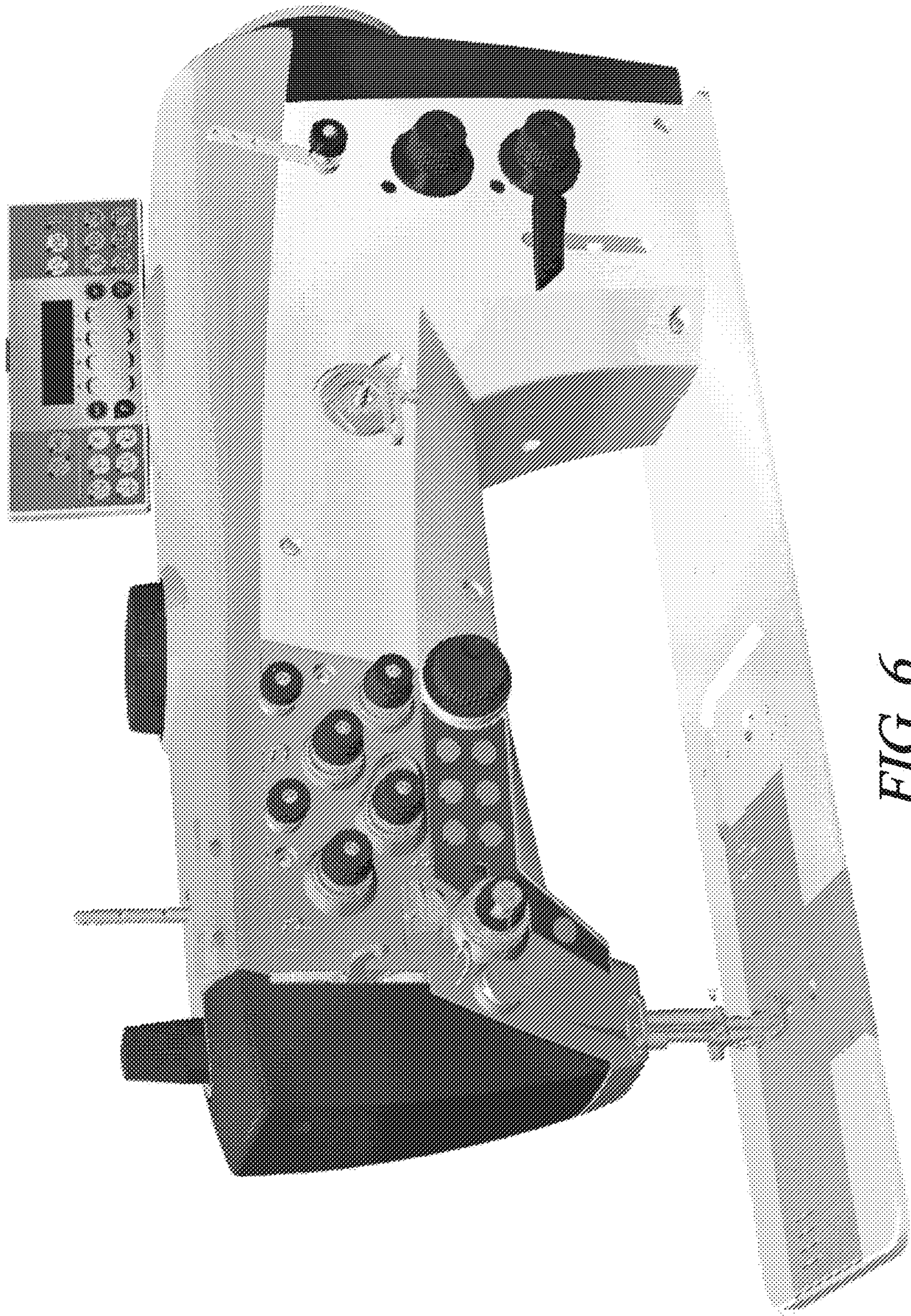


FIG. 6