



US00D908743S

(12) **United States Design Patent** (10) **Patent No.:** **US D908,743 S**  
**Rajopadhye et al.** (45) **Date of Patent:** **\*\* Jan. 26, 2021**

(54) **PANEL OF A HARVESTER**  
(71) Applicant: **Deere & Company**, Moline, IL (US)  
(72) Inventors: **Dhananjay Rajopadhye**, Pune (IN);  
**Paul M. Richardel**, Polk City, IA (US);  
**Paul J. McCredie**, Bettendorf, IA (US);  
**Shantanu Acharya**, Pune (IN); **Vivek**  
**Vedpathak**, Pune (IN); **Felix Nagelin**,  
Malibu, CA (US); **Tobias Adami**,  
Munich (DE)

D294,707 S \* 3/1988 Cameron ..... D15/31  
D327,276 S \* 6/1992 Sorensen ..... D12/163  
D356,584 S \* 3/1995 Innes ..... D15/17  
D382,279 S \* 8/1997 Goebert ..... D15/17  
D448,037 S \* 9/2001 Westimayer ..... D15/31  
D456,822 S \* 5/2002 Westimayer ..... D15/31  
D498,485 S \* 11/2004 Kuwae ..... D15/31  
D499,750 S \* 12/2004 Mistry ..... D15/31  
D500,772 S \* 1/2005 Montgomery ..... D15/31

(Continued)

**FOREIGN PATENT DOCUMENTS**

(73) Assignee: **DEERE & COMPANY**, Moline, IL  
(US)

CN 302092321 S 9/2012  
CN 302220180 S 12/2012

(\*\*) Term: **15 Years**

**OTHER PUBLICATIONS**

(21) Appl. No.: **29/712,599**

Deere & Company, Grain Harvesting Combines and Front End  
Equipment, Brochure, Oct. 2018.

(22) Filed: **Nov. 8, 2019**

(Continued)

(30) **Foreign Application Priority Data**

Sep. 5, 2019 (EM) ..... 006437083

(51) **LOC (13) Cl.** ..... **15-03**

(52) **U.S. Cl.**  
USPC ..... **D15/31**

(58) **Field of Classification Search**  
USPC ..... D15/22-26, 27, 28, 31; D12/163, 216,  
D12/190, 400, 172, 223, 194; 180/89.1,  
180/89.12, 89.13, 89.16, 89.19, 89.18,  
180/68.6; 296/190.01, 190.08, 190.04,  
296/193.1; 37/379; 414/163, 216;  
D23/388  
CPC ..... B60R 19/52; F01N 3/2892; F01N 3/2066;  
F01N 13/02

See application file for complete search history.

(56) **References Cited**

**U.S. PATENT DOCUMENTS**

D224,650 S \* 8/1972 Farmington ..... D15/31  
4,502,270 A 3/1985 Shupert

*Primary Examiner* — Mark A Goodwin  
(74) *Attorney, Agent, or Firm* — Klintworth & Rozenblat  
IP LLP

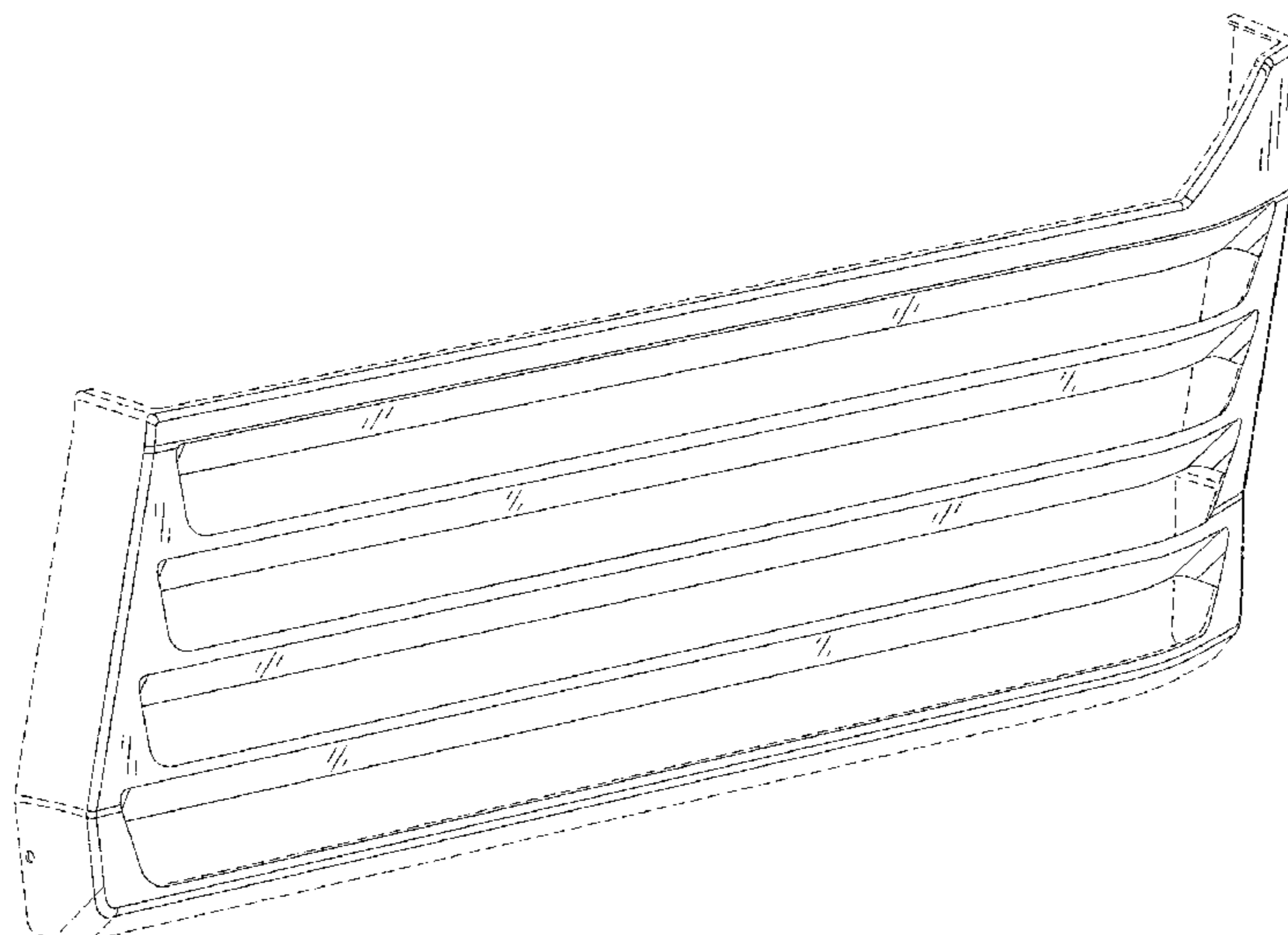
(57) **CLAIM**

The ornamental design for a panel of a harvester, as shown  
and described.

**DESCRIPTION**

FIG. 1 is a perspective view of a panel of a harvester  
according to our new design;  
FIG. 2 is a first side elevational view thereof;  
FIG. 3 is a second side elevational view thereof;  
FIG. 4 is a first end elevational view thereof;  
FIG. 5 is a second end elevational view thereof;  
FIG. 6 is a first plan view thereof; and,  
FIG. 7 is a second plan view thereof.  
The dash lines depict environment subject matter that forms  
no part of the claimed design.

**1 Claim, 5 Drawing Sheets**



(56)

References Cited

U.S. PATENT DOCUMENTS

D508,499 S \* 8/2005 Kurtz, Jr. .... D15/31  
 D520,527 S \* 5/2006 Crookes ..... D15/31  
 D521,532 S \* 5/2006 Higashikawa ..... D15/31  
 D533,882 S \* 12/2006 Higashikawa ..... D15/31  
 D559,869 S \* 1/2008 Kelley ..... D12/163  
 D560,050 S \* 1/2008 Tokach ..... D15/31  
 D578,274 S \* 10/2008 Tokach ..... D15/31  
 D591,777 S \* 5/2009 Kokitkar ..... D15/31  
 D597,106 S \* 7/2009 Kelley ..... D12/163  
 D620,503 S \* 7/2010 Krogh ..... D15/31  
 D620,955 S \* 8/2010 Krogh ..... D15/31  
 D622,295 S \* 8/2010 Ryzek ..... D15/31  
 D624,567 S \* 9/2010 Kelley ..... D15/33  
 D629,818 S \* 12/2010 Rummer ..... D15/31  
 D631,489 S \* 1/2011 Booth ..... D15/31  
 D632,312 S \* 2/2011 Booth ..... D15/31  
 D632,313 S \* 2/2011 Kelley ..... D15/33  
 D635,592 S \* 4/2011 Shimomura ..... D15/28  
 D643,444 S \* 8/2011 Colvin ..... D15/31  
 D646,305 S \* 10/2011 Krogh ..... D15/31  
 D655,317 S \* 3/2012 Hagele ..... D15/31  
 D655,318 S \* 3/2012 Hagele ..... D15/31  
 D655,320 S \* 3/2012 Hiraoka ..... D15/31  
 D657,400 S \* 4/2012 Loew ..... D15/31  
 D660,323 S \* 5/2012 Hiraoka ..... D15/31  
 D668,694 S \* 10/2012 Tezuka ..... D15/31  
 D670,746 S \* 11/2012 Ewringmann ..... D15/31  
 D675,234 S \* 1/2013 Kushita ..... D15/31  
 D676,466 S \* 2/2013 Ewringmann ..... D15/31  
 D706,841 S \* 6/2014 Shimomura ..... D15/31  
 D708,233 S \* 7/2014 Furuki ..... D15/31  
 D711,930 S \* 8/2014 Kuwae ..... D15/31  
 D714,838 S \* 10/2014 Shimomura ..... D15/31  
 D715,333 S \* 10/2014 Jacobsthal ..... D15/31  
 D716,348 S \* 10/2014 Ryan ..... D15/31  
 D716,846 S \* 11/2014 Carter ..... D15/31  
 D724,109 S \* 3/2015 Haro ..... D15/31  
 D733,767 S \* 7/2015 Kushita ..... D15/31  
 D751,611 S \* 3/2016 Smith ..... D15/31  
 D755,256 S \* 5/2016 Okuyama ..... D15/31  
 D757,826 S \* 5/2016 Hartz ..... D15/31  
 D762,740 S \* 8/2016 Okuyama ..... D15/31  
 D765,740 S \* 9/2016 Jackson ..... D15/31  
 D766,339 S \* 9/2016 Hanke ..... D15/31  
 D766,340 S \* 9/2016 Jackson ..... D15/31  
 D766,341 S \* 9/2016 Jacobsthal ..... D15/31

D768,210 S \* 10/2016 Jacobsthal ..... D15/31  
 D772,309 S \* 11/2016 Underhill ..... D15/31  
 D777,219 S \* 1/2017 Hanke ..... D15/31  
 D777,220 S \* 1/2017 Powell ..... D15/31  
 D778,963 S \* 2/2017 Yang ..... D15/31  
 D784,426 S \* 4/2017 Okuyama ..... D15/31  
 D785,053 S \* 4/2017 Okuyama ..... D15/31  
 D785,681 S \* 5/2017 Okuyama ..... D15/31  
 D786,945 S \* 5/2017 Smith ..... D15/31  
 D789,427 S \* 6/2017 Jackson ..... D15/31  
 D792,483 S \* 7/2017 Jackson ..... D15/31  
 D795,308 S \* 8/2017 Sauvaget ..... D15/31  
 D795,309 S \* 8/2017 Sauvaget ..... D15/31  
 D797,161 S \* 9/2017 Buxton ..... D15/31  
 D802,871 S \* 11/2017 Knie ..... D34/35  
 D804,539 S \* 12/2017 Okuyama ..... D15/31  
 D806,762 S \* 1/2018 Loew ..... D15/31  
 D814,531 S \* 4/2018 Jacobsthal ..... D15/31  
 D819,708 S \* 6/2018 Ulmefors ..... D15/31  
 D831,079 S \* 10/2018 Ulmefors ..... D15/31  
 D835,685 S \* 12/2018 Niclot ..... D15/31  
 2017/0086374 A1 3/2017 Engel

OTHER PUBLICATIONS

CLAAS of America, Improves Profitability with Increasing Revenue, Google Search, <https://www.serbia.claas.com/news-testimonials/current/claas-news/claas-improves-profitability-with-increasing-revenue-/1904264>, 2019.  
 CLAAS of America, photograph of header, 2017.  
 Vew Holland, Overview—Corn Heads Leading From The Front, Combines & Headers, <https://agriculture.newholland.com/nar/en-us/equipment/products/combines-and-headers/com-heads>, 2019.  
 Macdon Industries Ltd, D65 Draper Header, Draper Headers for Combine, <https://www.macdon.com/en/products/d65-draper-headers-for-combine/>, 2019.  
 Vew Holland, Draper Heads—Overview Combines & Headers New Holland (US) NHAG, <https://agriculture.newholland.com/nar/en-us/equipment/products/combines-and-headers/draper-heads>, 2019.  
 Case IH, Draper Heads Combine Harvester, Case IH 3100 Series II Draper Heads, <https://www.caseih.com/northamerica/en-us/products/harvesting/draper-heads>, Copyright 2020.  
 Massey Ferguson, 9250 DynaFlex Draper Header, <http://www.masseyferguson.us/products/combine-harvesting/9250-dynaflex-draper-headers.html#0>, Copyright 2020.

\* cited by examiner

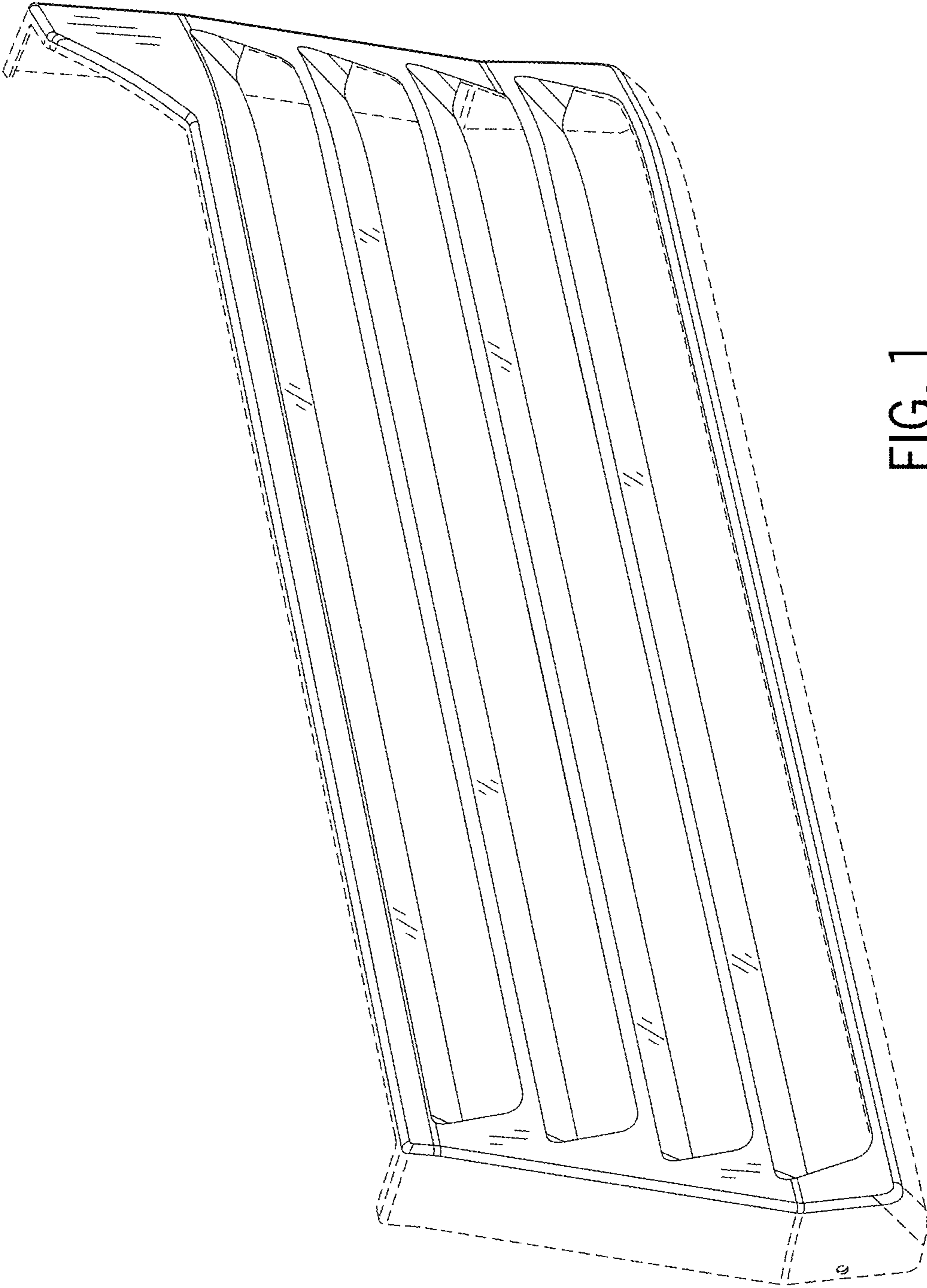


FIG. 1

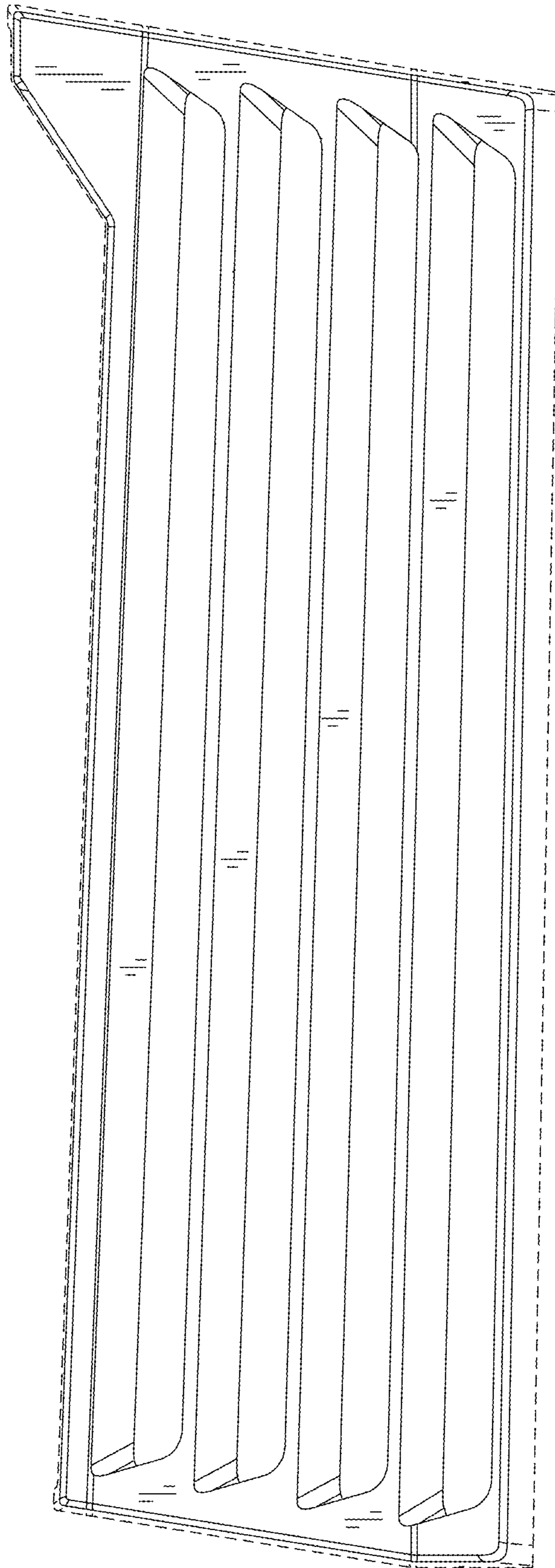


FIG. 2

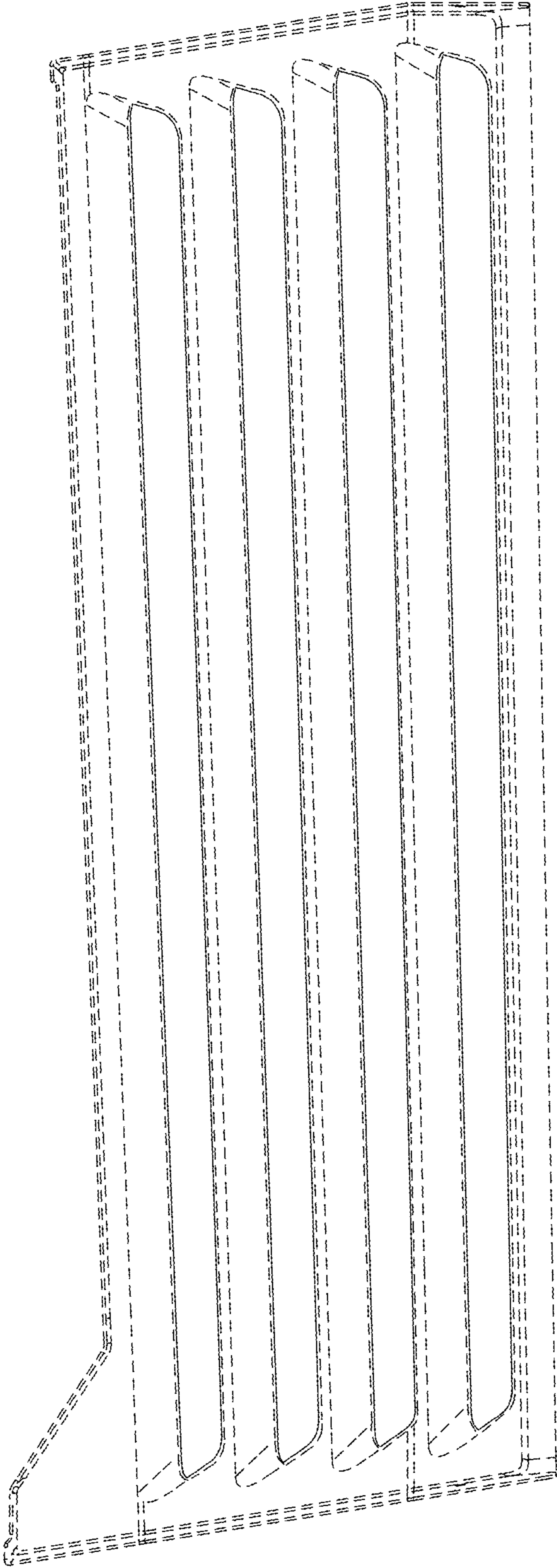


FIG. 3

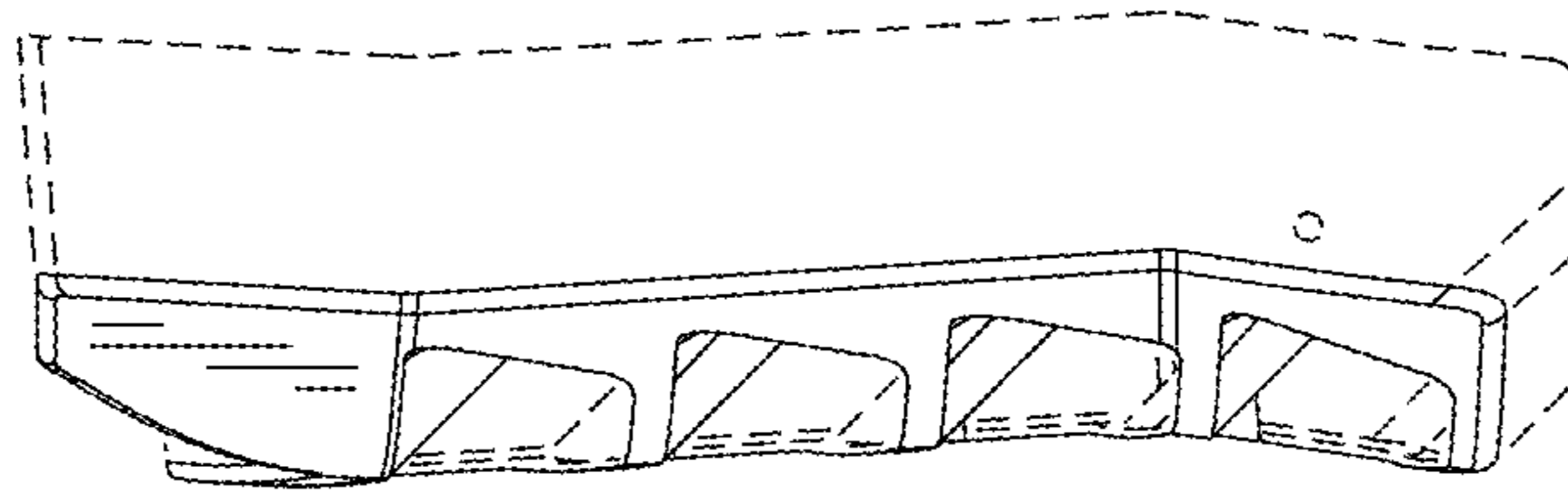


FIG. 5

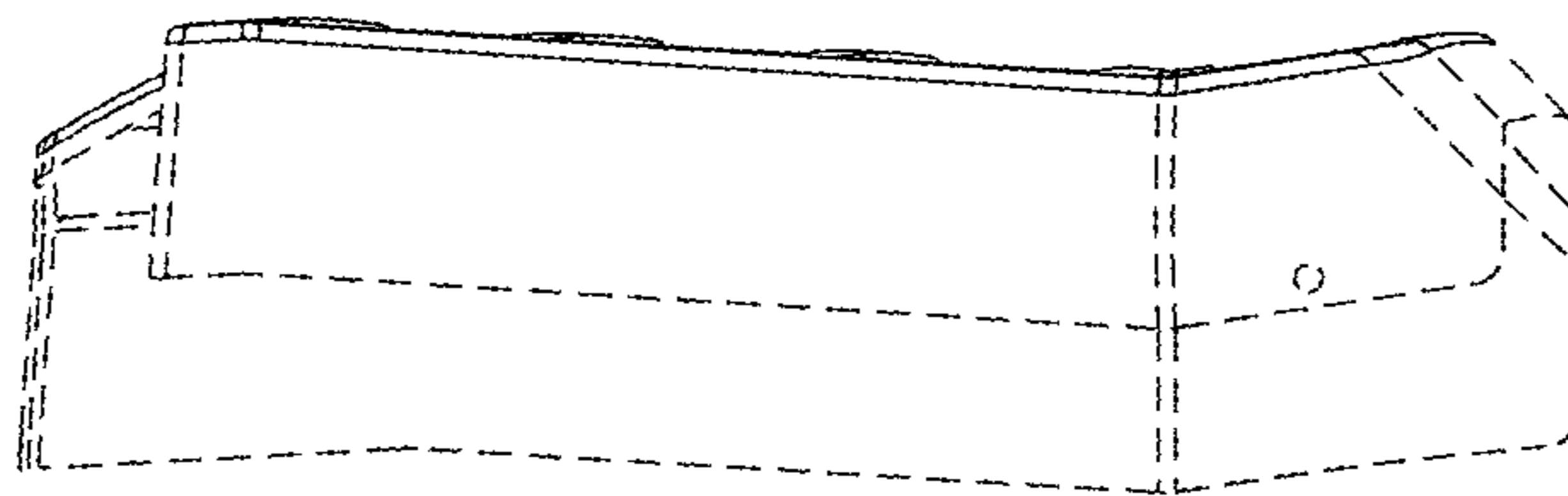


FIG. 4

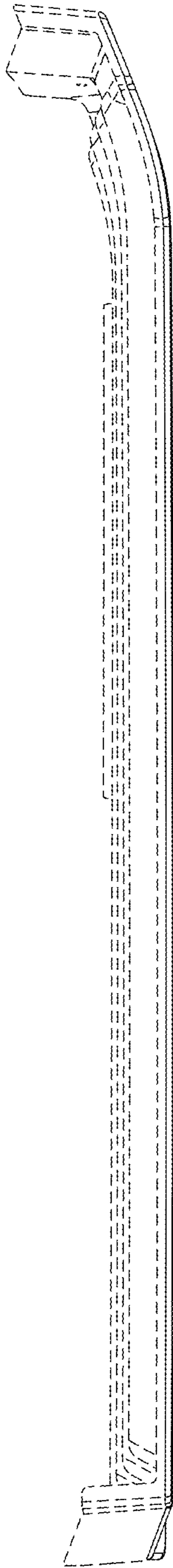


FIG. 6

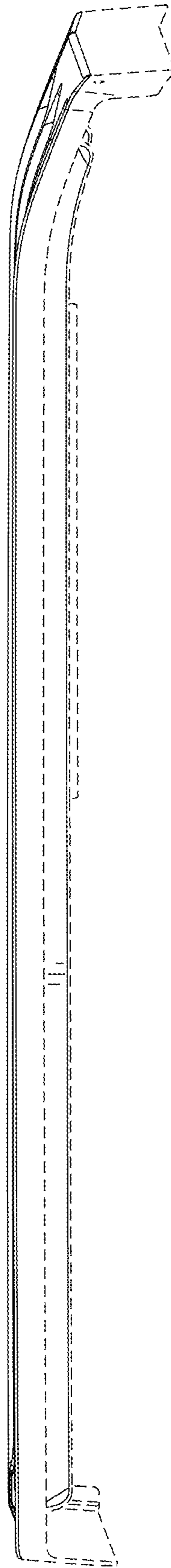


FIG. 7