



US00D908742S

(12) **United States Design Patent**
Ankenman et al.

(10) **Patent No.:** **US D908,742 S**
(45) **Date of Patent:** **** Jan. 26, 2021**

(54) **SCRAPER ARM FOR USE WITH DISC HARROWS**

(71) Applicant: **KUHN KRAUSE, INC.**, Hutchinson, KS (US)

(72) Inventors: **Tom W. Ankenman**, Hutchinson, KS (US); **Rodney L. Hagman**, Hutchinson, KS (US)

(73) Assignee: **KUHN KRAUSE, INC.**, Hutchinson, KS (US)

(**) Term: **15 Years**

(21) Appl. No.: **29/688,746**

(22) Filed: **Apr. 24, 2019**

(51) **LOC (13) Cl.** **15-03**

(52) **U.S. Cl.**
USPC **D15/28**

(58) **Field of Classification Search**
USPC D15/10, 11, 27, 28, 29; 111/157, 200, 111/135, 137, 164, 52, 140, 167, 163; 172/166, 602, 741-744, 748, 452, 536, 172/736

CPC A01B 37/00; A01B 39/00; A01B 39/22; A01B 76/00; A01B 71/04; A01B 71/00; A01C 5/00; A01C 5/06; A01C 5/062; B60S 1/68; B60S 1/00

See application file for complete search history.

(56) **References Cited**

U.S. PATENT DOCUMENTS

- 1,017,109 A * 2/1912 Rieske A01B 23/06 172/566
- 2,805,486 A * 9/1957 Barrett G01B 5/0028 33/610
- 3,115,192 A * 12/1963 Bushmeyer A01B 15/18 172/166

- 3,833,067 A 9/1974 Peterson, Jr. et al.
- 4,113,030 A * 9/1978 Walker A01B 23/06 172/566
- 4,127,179 A * 11/1978 Heersink A01B 23/06 172/565
- 4,294,181 A * 10/1981 Smith A01B 39/08 111/121
- 4,330,041 A * 5/1982 Ankenman A01B 23/06 172/566
- 5,078,528 A * 1/1992 Schmidt B60G 7/02 403/365
- 5,884,711 A * 3/1999 Shoup A01B 71/08 111/137
- 5,904,107 A * 5/1999 Kester A01C 5/06 111/135
- D440,985 S * 4/2001 Noonan D15/28
- 6,321,667 B1 * 11/2001 Shoup A01B 71/04 111/137

(Continued)

Primary Examiner — Mark A Goodwin

(74) *Attorney, Agent, or Firm* — Oblon, McClelland, Maier & Neustadt, L.L.P.

(57) **CLAIM**

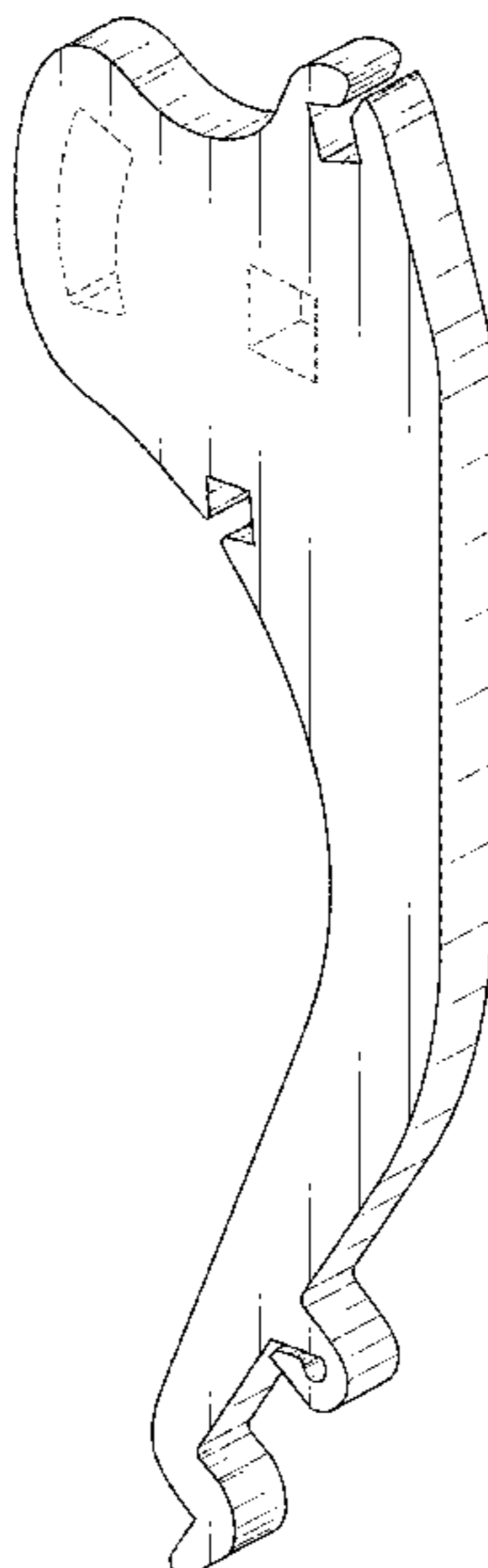
The ornamental design for a scraper arm for use with disc harrows, as shown and described.

DESCRIPTION

FIG. 1 is a top perspective view of a scraper arm for use with disc harrows;
 FIG. 2 is a side perspective view thereof;
 FIG. 3 is another top perspective view thereof;
 FIG. 4 is a front view thereof, the rear view thereof being a mirror image of the front view;
 FIG. 5 is a right side view thereof;
 FIG. 6 is a left side view thereof;
 FIG. 7 is a top view thereof; and,
 FIG. 8 is a bottom view thereof.

The broken lines in the drawings depict environmental subject matter only and form no part of the claimed design.

1 Claim, 8 Drawing Sheets



(56)

References Cited

U.S. PATENT DOCUMENTS

7,290,620	B2 *	11/2007	Cooper	A01B 15/16 15/256.5
7,357,193	B2 *	4/2008	Harmon	A01B 23/06 172/566
D596,203	S *	7/2009	Schaffert	D15/28
7,730,962	B1 *	6/2010	Kester	A01C 5/06 172/558
7,753,134	B1 *	7/2010	Anderson	A01B 15/16 172/566
8,672,047	B2 *	3/2014	Schilling	A01C 5/068 172/566
8,690,642	B2 *	4/2014	Meiners	A01B 15/16 451/349
9,308,614	B2 *	4/2016	Zemenchik	A01B 15/16
9,327,378	B2 *	5/2016	Zemenchik	A01B 23/06
9,648,798	B2 *	5/2017	Sudbrink	A01B 73/02
9,769,971	B2 *	9/2017	Hesla	A01B 71/08
D812,110	S *	3/2018	Hesla	D15/28
D891,484	S *	7/2020	Salowitz	A01C 5/068 D15/28
D892,177	S *	8/2020	McLuckie	A01C 5/064 D15/28
2005/0072344	A1 *	4/2005	Kester	A01B 71/04 111/135

* cited by examiner

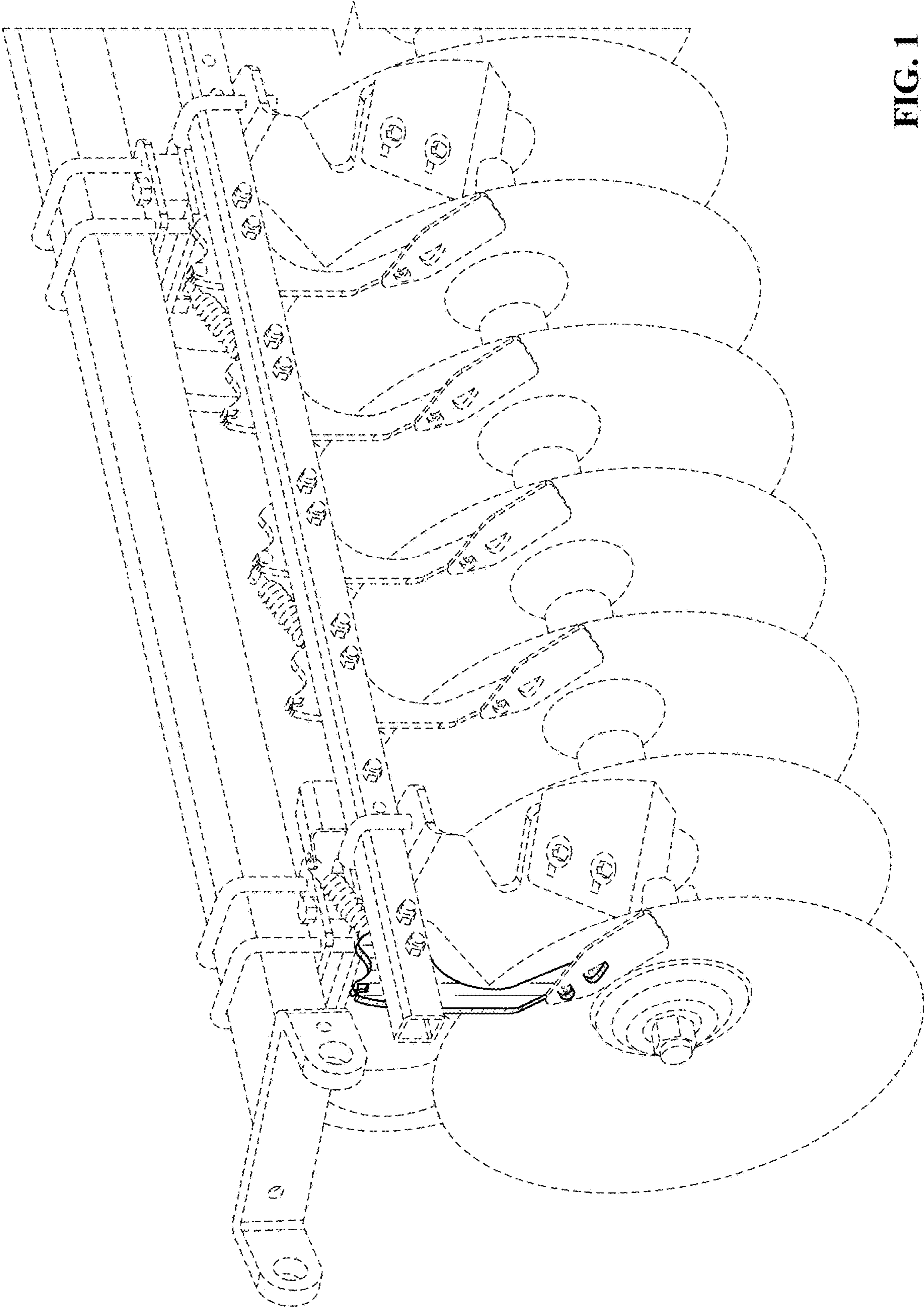


FIG. 1

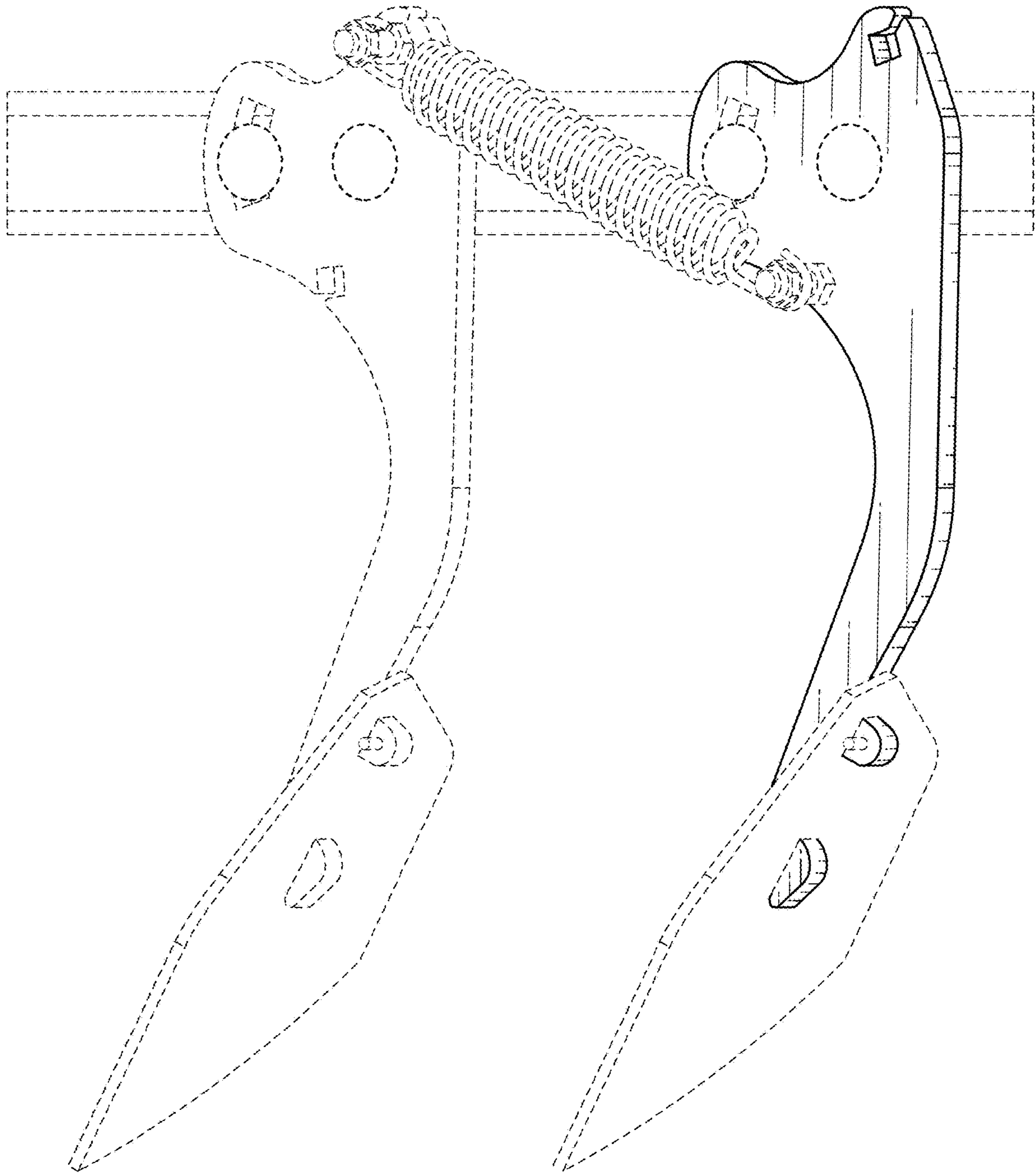


FIG. 2

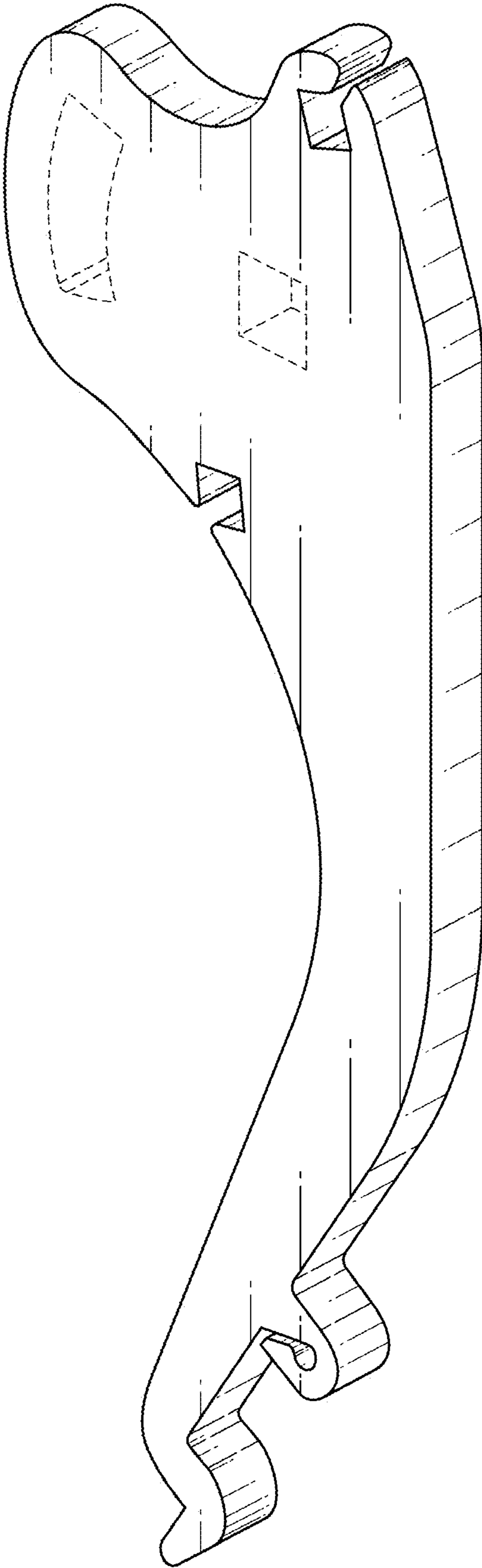


FIG. 3

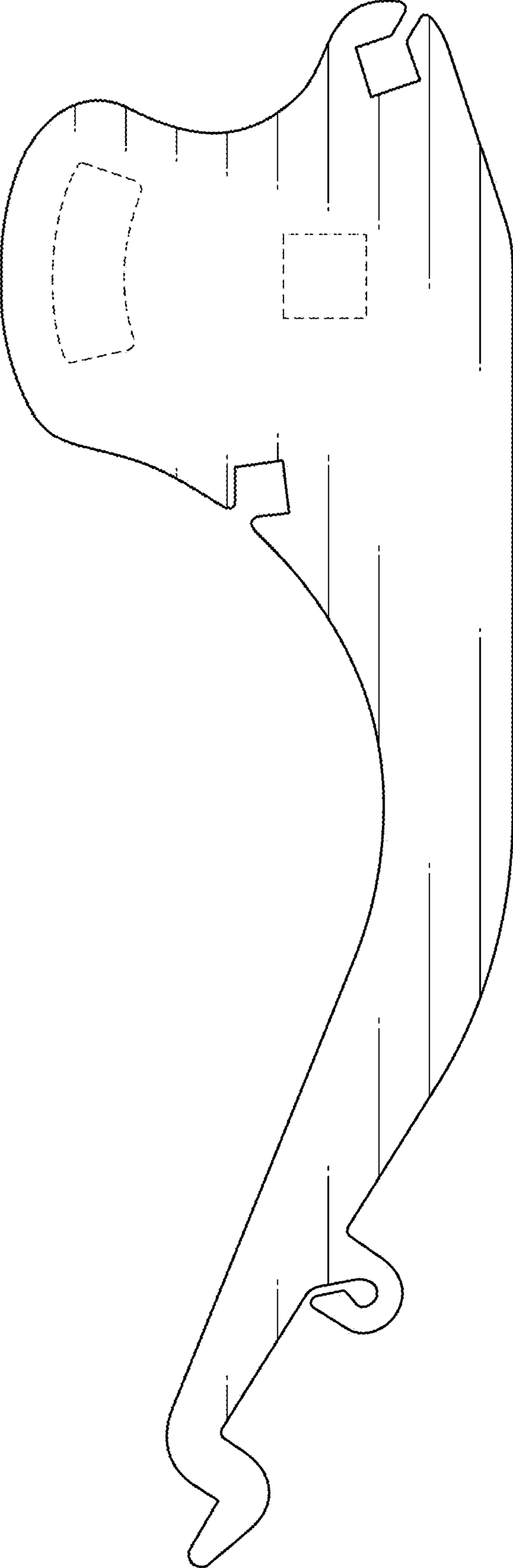


FIG. 4

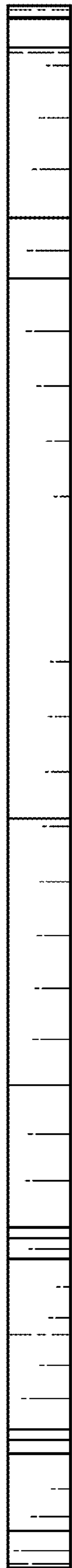


FIG. 5

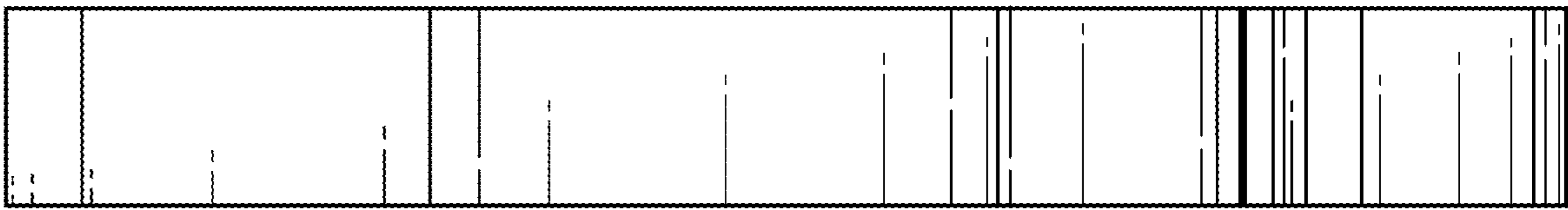


FIG. 7

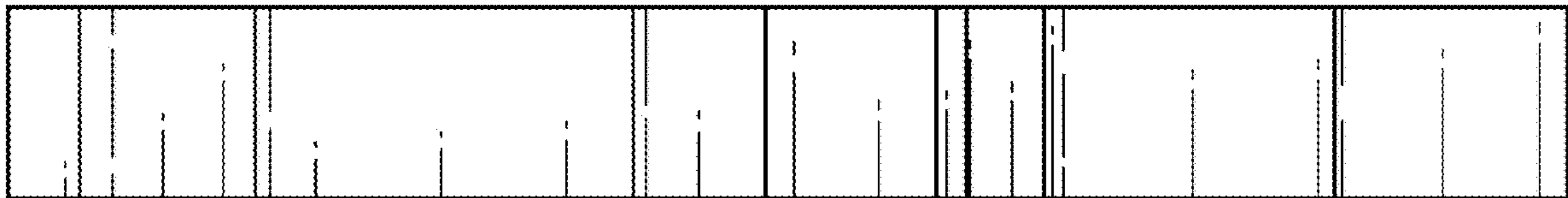


FIG. 8