



US00D908740S

(12) **United States Design Patent**
Damani

(10) **Patent No.:** **US D908,740 S**
(45) **Date of Patent:** **** Jan. 26, 2021**

- (54) **SUGARCANE HARVESTER**
- (71) Applicant: **TIRTH AGRO TECHNOLOGY PRIVATE LIMITED, Rajkot (IN)**
- (72) Inventor: **Kaushik Anilkumar Damani, Rajkot (IN)**
- (73) Assignee: **TIRTH AGRO TECHNOLOGY PRIVATE LIMITED, Rajkot (IN)**
- (**) Term: **15 Years**
- (21) Appl. No.: **29/710,068**
- (22) Filed: **Oct. 20, 2019**
- (51) **LOC (13) Cl.** **15-03**
- (52) **U.S. Cl.**
USPC **D15/26**
- (58) **Field of Classification Search**
USPC D15/10, 22-26
CPC A01D 45/10; A01D 45/00; A01D 31/00;
A01D 75/28
See application file for complete search history.

(56) **References Cited**

U.S. PATENT DOCUMENTS

D300,221 S *	3/1989	Odahara	D15/24
D399,851 S *	10/1998	Stauffer	D15/10
D400,543 S *	11/1998	Benedict	D15/10
5,904,365 A *	5/1999	Dillon	B62D 59/02 180/14.1
6,003,293 A *	12/1999	Boese	A01D 45/00 56/119
6,032,444 A *	3/2000	Herron	A01D 43/082 56/102
6,076,340 A *	6/2000	Fowler	A01D 45/10 56/13.9
D436,363 S *	1/2001	Strong	D15/10
6,272,820 B1 *	8/2001	Otten	A01D 45/10 56/13.9

D460,461 S *	7/2002	Strong	D15/10
6,745,550 B1 *	6/2004	Hinds	A01D 45/10 56/13.3
D544,886 S *	6/2007	Pedracini	D15/26
D599,830 S *	9/2009	Jacobsthal	D15/26
10,076,077 B2 *	9/2018	Craig	A01D 61/008
2005/0016145 A1 *	1/2005	Huff, Jr.	A01D 45/10 56/16.4 R
2005/0028503 A1 *	2/2005	Hinds	A01D 45/10 56/56
2005/0235623 A1 *	10/2005	Hettiger	A01D 43/087 56/16.6
2010/0307121 A1 *	12/2010	Marchini	A01D 75/28 56/63

(Continued)

Primary Examiner — Mark A Goodwin

(74) *Attorney, Agent, or Firm* — Hodgson Russ LLP

(57) **CLAIM**

The ornamental design for a sugarcane harvester, as shown and described.

DESCRIPTION

The file of this patent contains at least one drawing/photograph executed in color. Copies of this patent with color drawing(s)/photograph(s) will be provided by the Office upon request and payment of the necessary fee.

FIG. 1 is a front-top-left perspective view of a sugarcane harvester, showing my new design;

FIG. 2 is a rear-top-right perspective view thereof;

FIG. 3 is a rear-bottom-right perspective view thereof;

FIG. 4 is a front-bottom-left perspective view thereof;

FIG. 5 is a top plan view thereof;

FIG. 6 is a bottom plan view thereof;

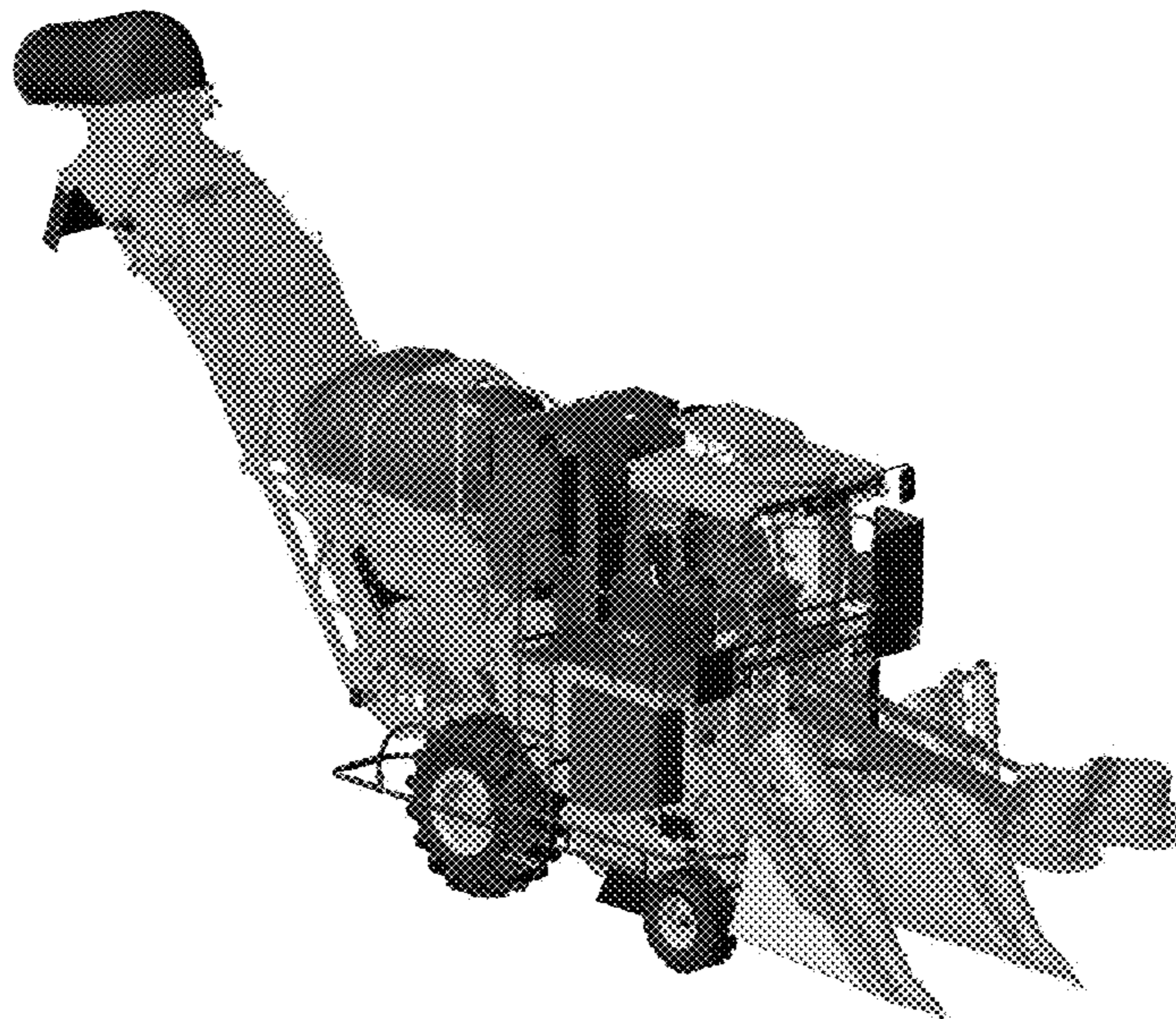
FIG. 7 is a front elevation view thereof;

FIG. 8 is a rear elevation view thereof;

FIG. 9 is a right side elevation view thereof; and,

FIG. 10 is a left side elevation view thereof.

1 Claim, 10 Drawing Sheets
(10 of 10 Drawing Sheet(s) Filed in Color)



(56)

References Cited

U.S. PATENT DOCUMENTS

2014/0165522 A1* 6/2014 Braunbeck A01D 45/10
56/10.6
2018/0338423 A1* 11/2018 Lucca A01D 41/127
2018/0338426 A1* 11/2018 Seki A01D 67/00
2019/0183056 A1* 6/2019 Vergara A01D 69/06
2019/0373814 A1* 12/2019 Murray A01D 45/10
2020/0100429 A1* 4/2020 Accorroni Rivas ... A01D 45/10
2020/0337232 A1* 10/2020 Blank A01M 7/0089
2020/0337235 A1* 10/2020 Blank A01M 7/0089

* cited by examiner

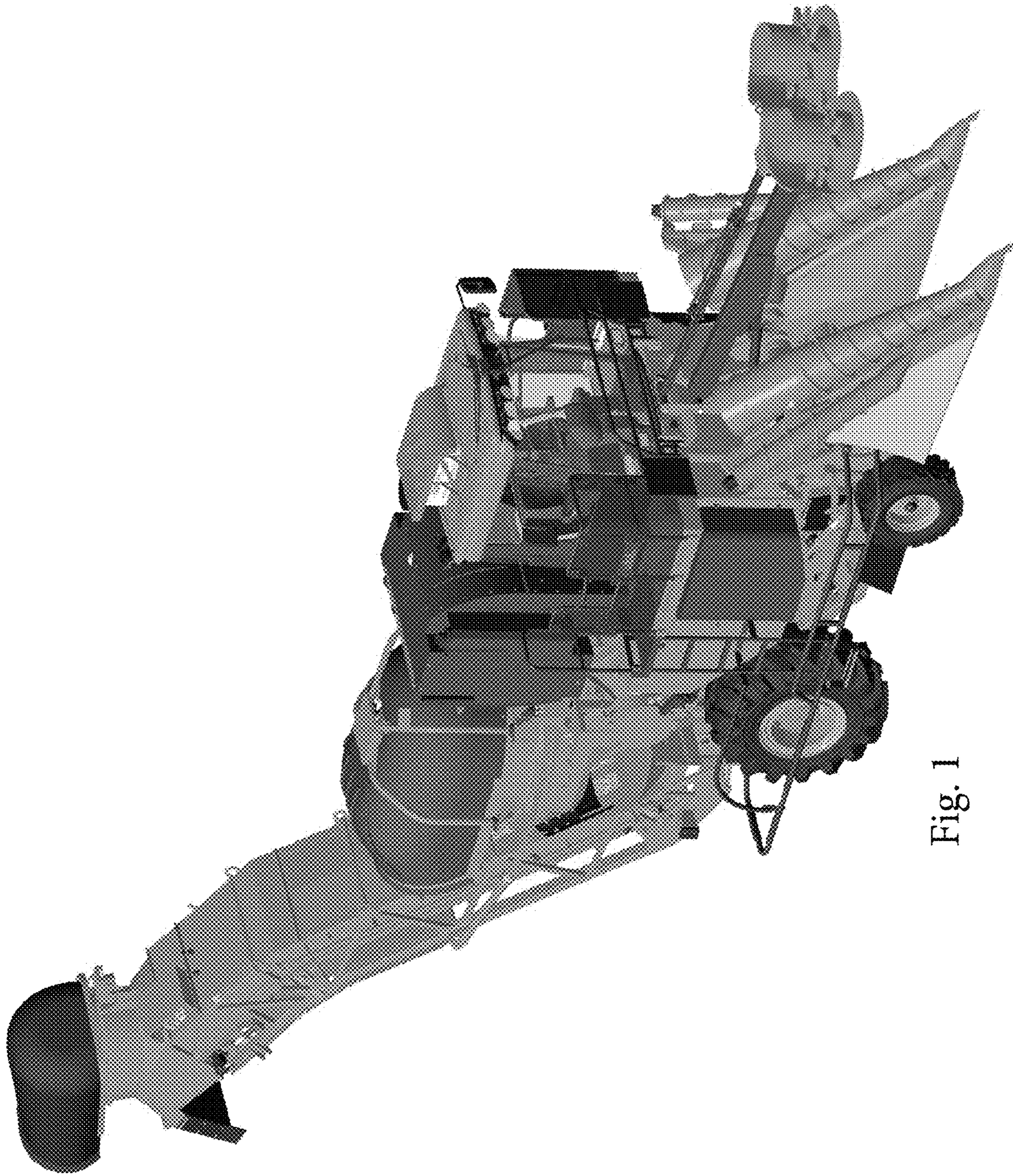


Fig. 1

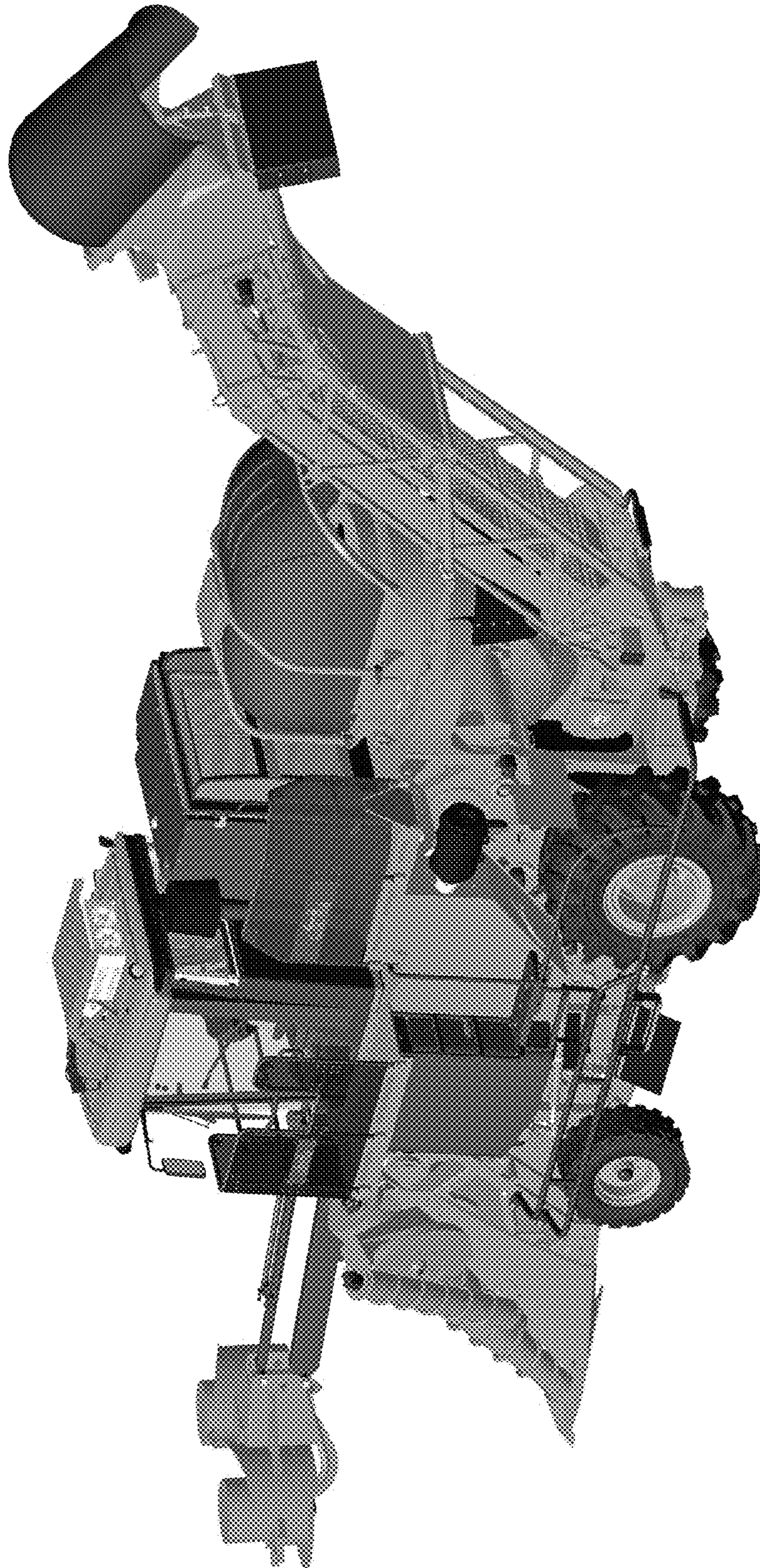


Fig. 2

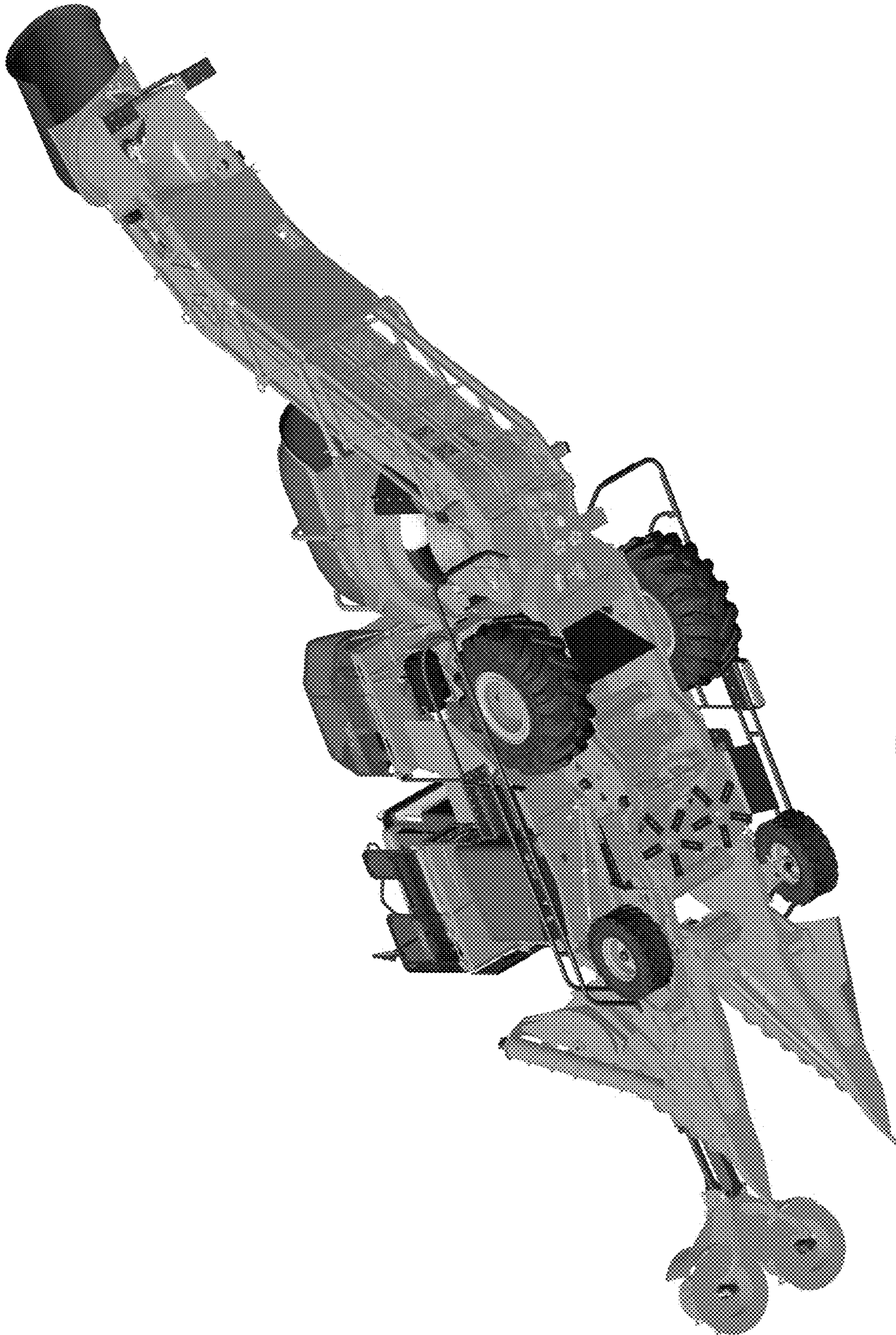


Fig. 3

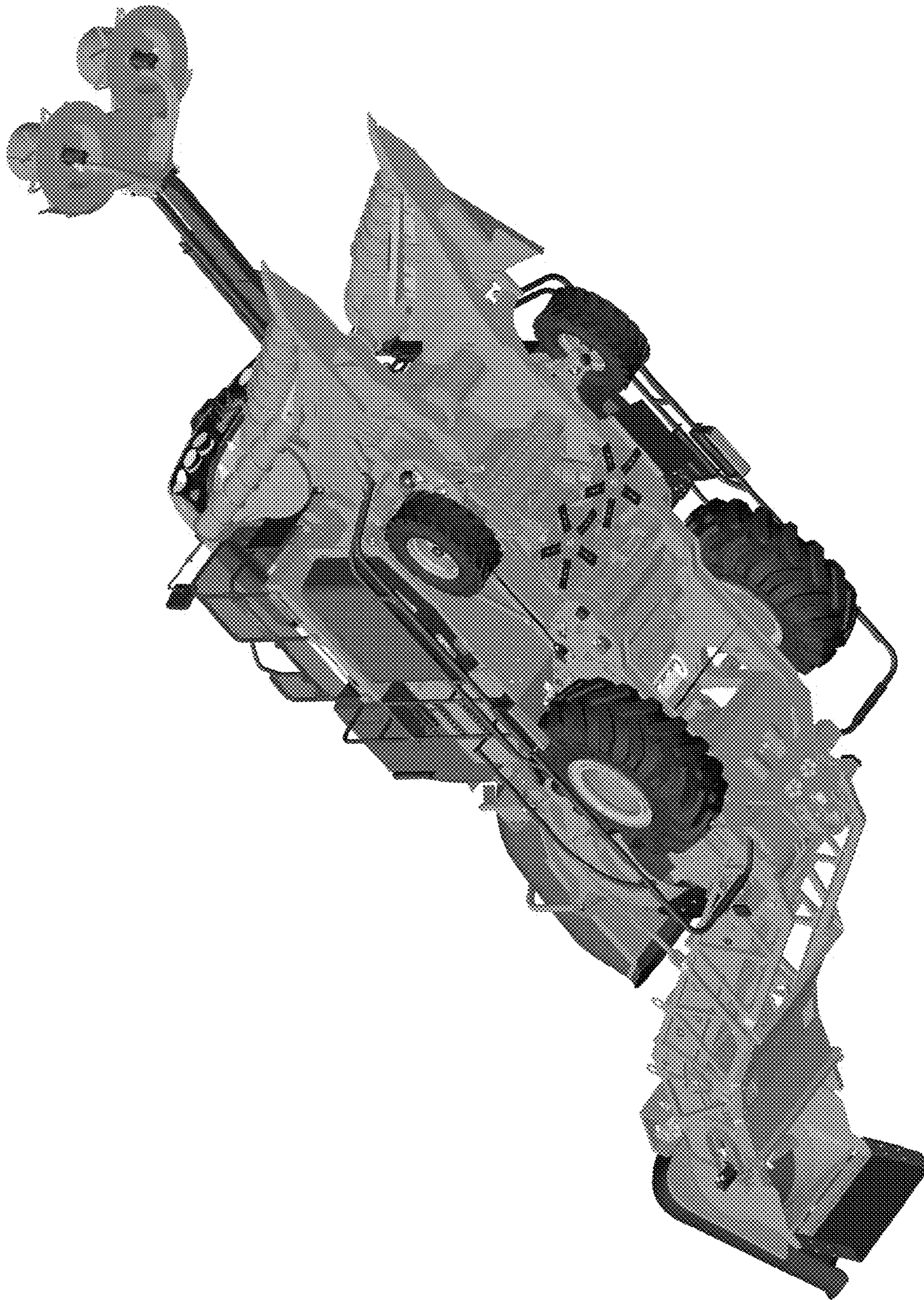


Fig. 4

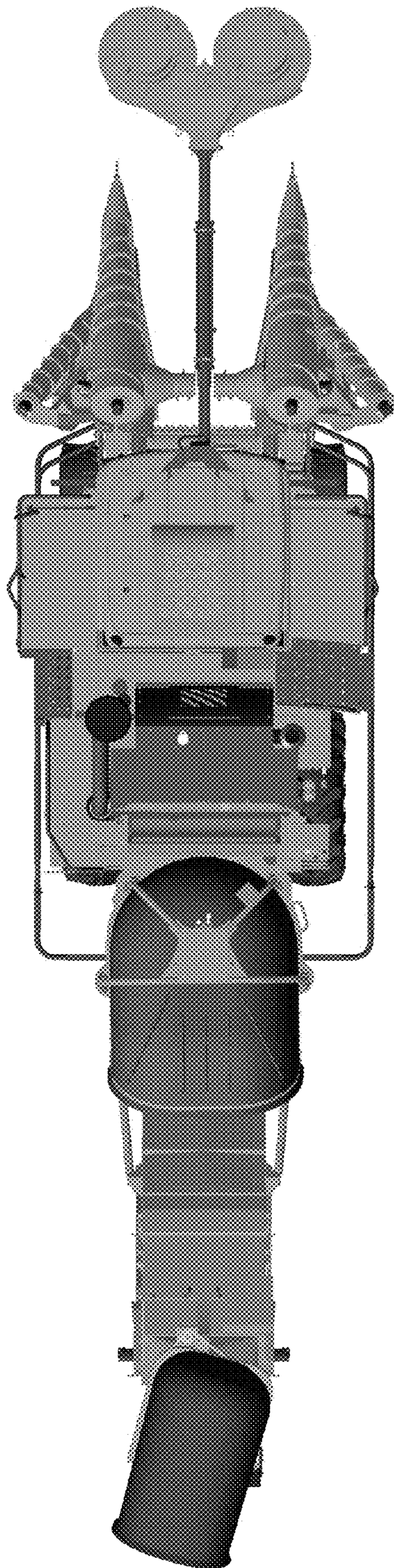


Fig. 5

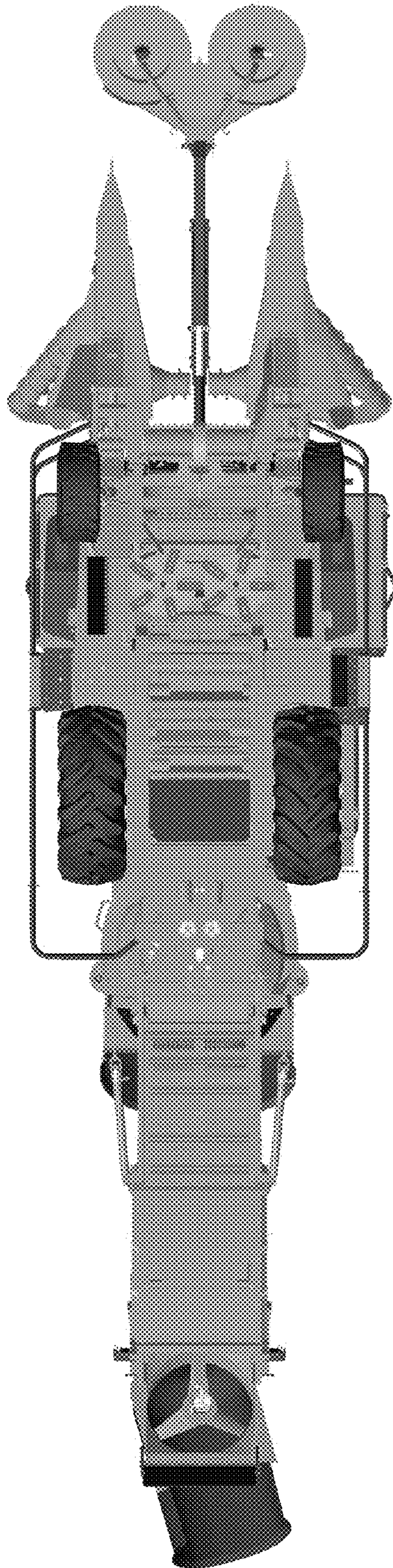


Fig. 6

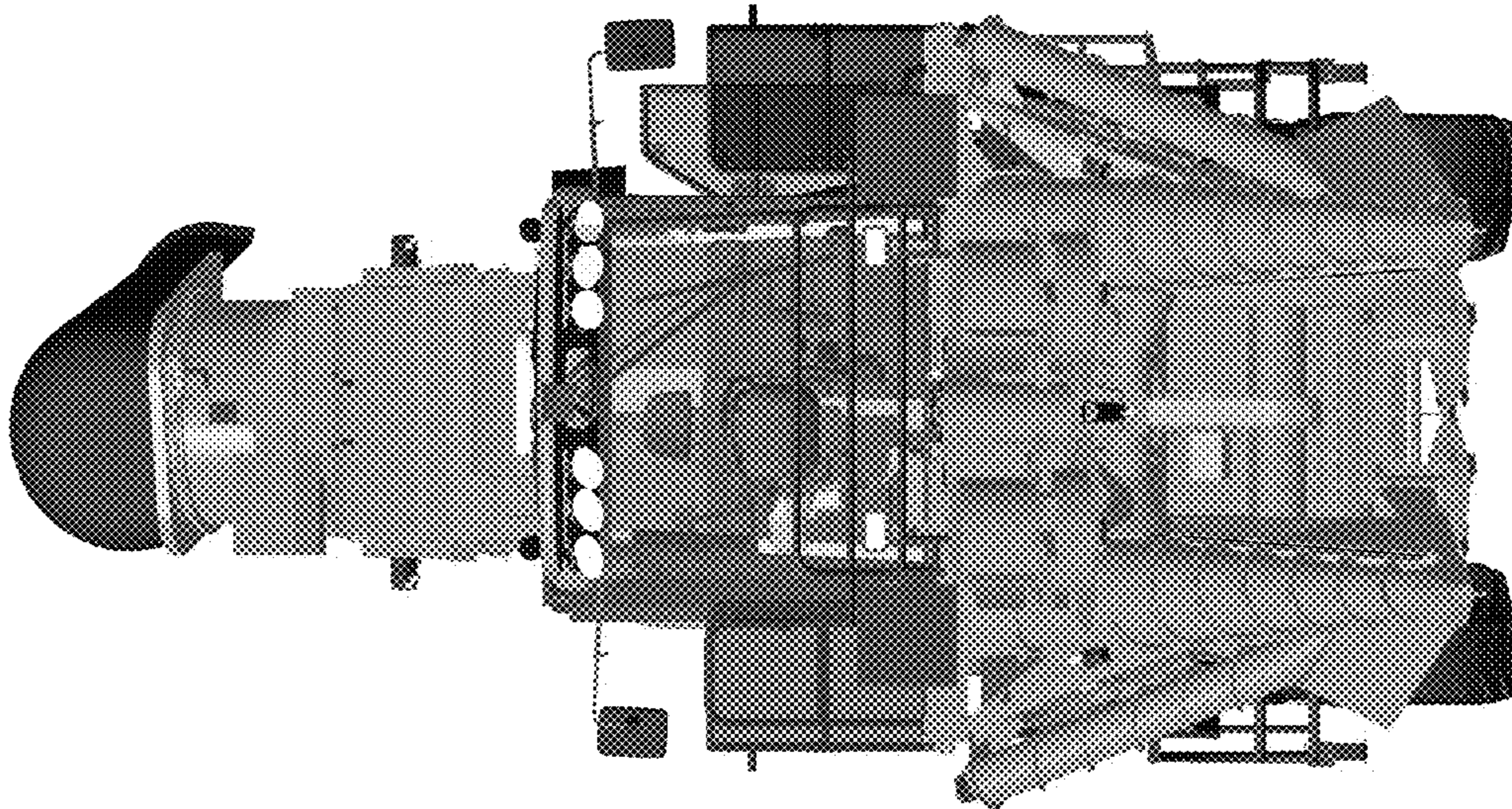


Fig. 7

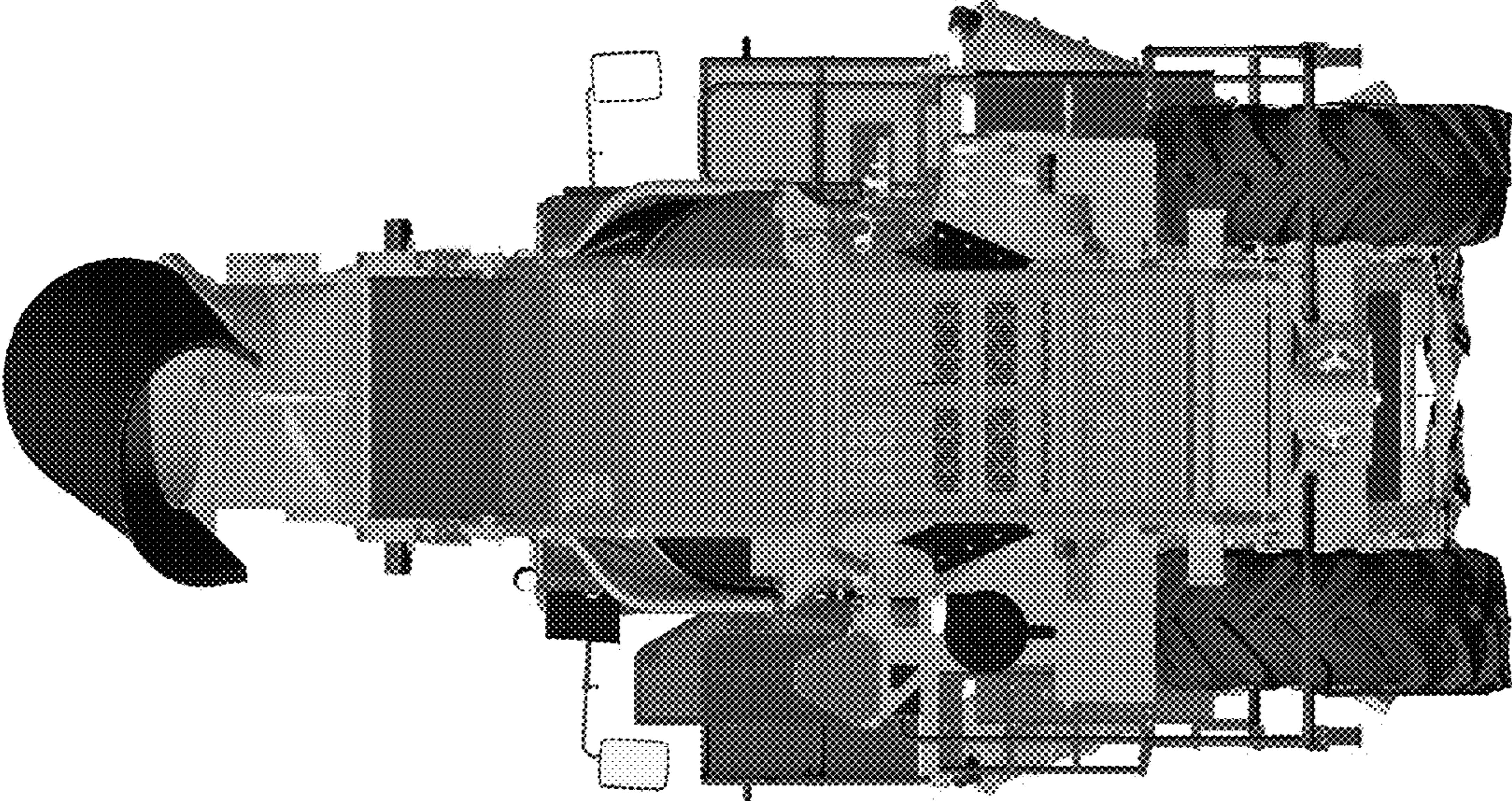


Fig. 8

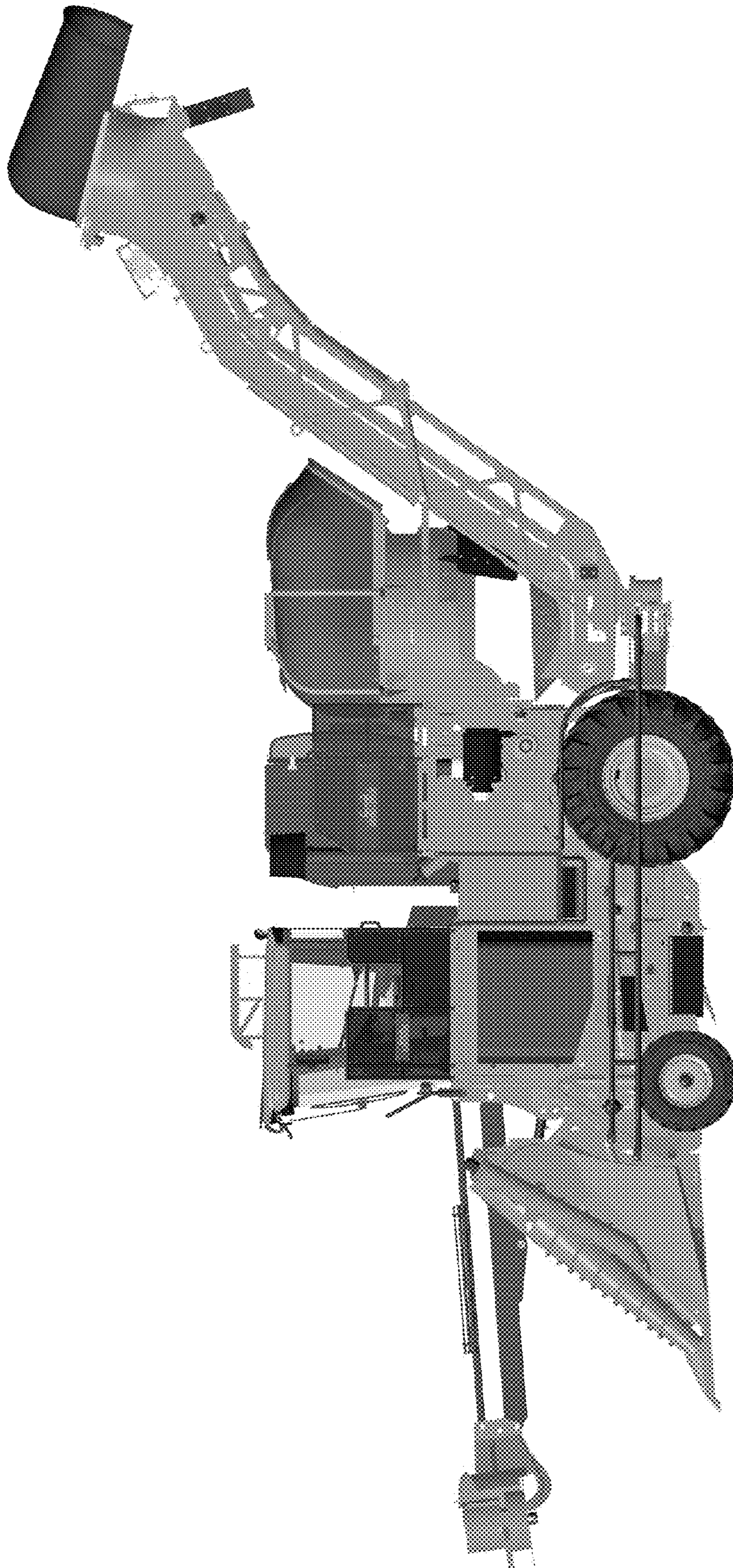


Fig. 9

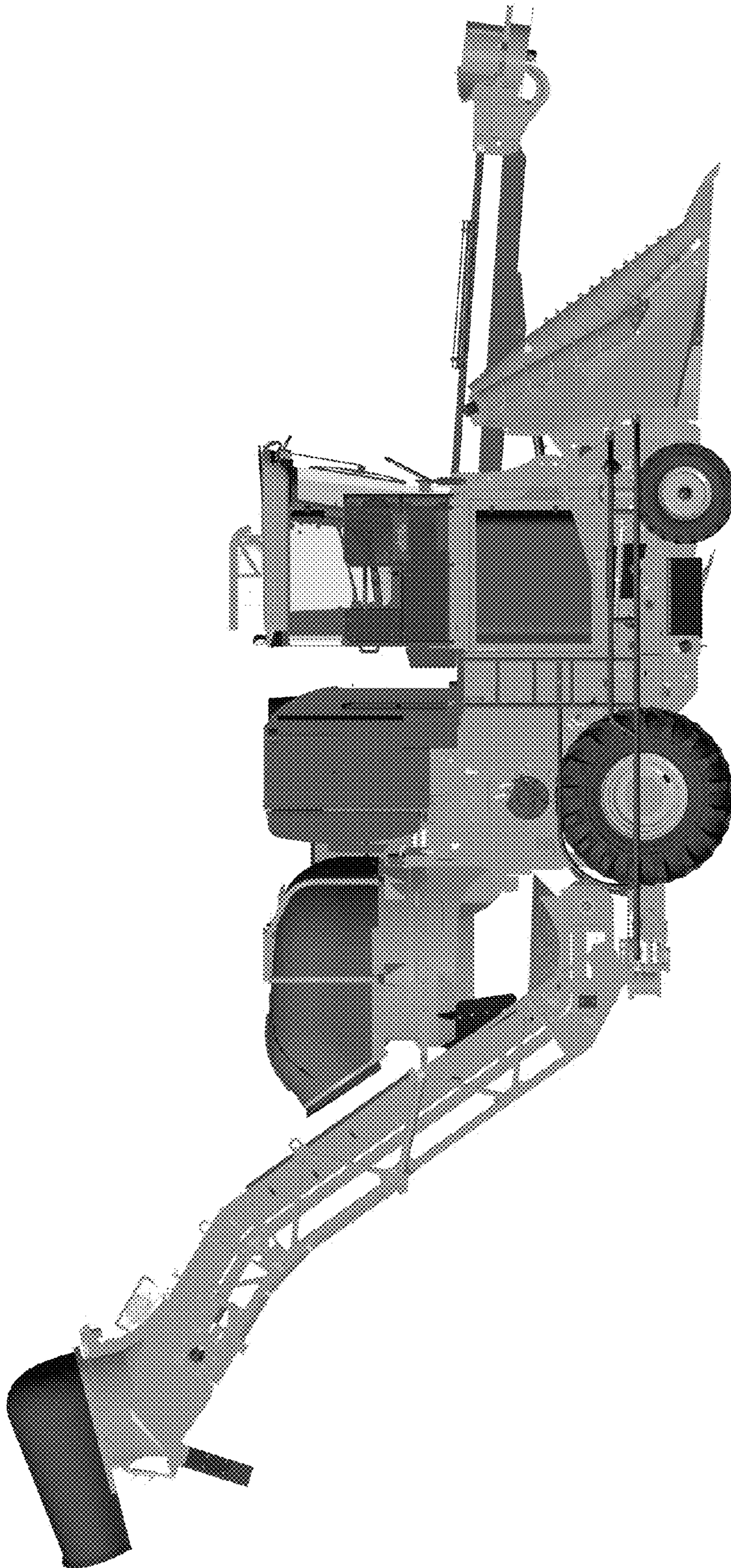


Fig. 10