



US00D908739S

(12) **United States Design Patent**
Zong et al.

(10) **Patent No.:** **US D908,739 S**
(45) **Date of Patent:** **** Jan. 26, 2021**

(54) **EXCAVATOR**

9/2292; E02F 9/0086; E02F 9/18; F01N
13/001; F01N 2590/08

(71) Applicants: **JIANGSU XCMG CONSTRUCTION
MACHINERY RESEARCH
INSTITUTE LTD.**, Jiangsu (CN);
**XUZHOU XCMG EXCAVATOR
MACHINERY CO., LTD**, Jiangsu
(CN)

See application file for complete search history.

(72) Inventors: **Xuemei Zong**, Jiangsu (CN); **Liwei
Xiao**, Jiangsu (CN); **Jingyu Gao**,
Jiangsu (CN); **Yueji Liu**, Jiangsu (CN)

(56) **References Cited**

U.S. PATENT DOCUMENTS

(73) Assignees: **JIANGSU XCMG CONSTRUCTION
MACHINERY RESEARCH
INSTITUTE LTD.**, Jiangsu (CN);
**XUZHOU XCMG EXCAVATOR
MACHINERY CO., LTD**, Jiangsu
(CN)

D538,304	S	*	3/2007	Uemura	D15/25
D590,847	S	*	4/2009	Yonekura	D15/25
D692,924	S	*	11/2013	Hatanaka	D15/24
D707,261	S	*	6/2014	Caboret	D15/24
D711,927	S	*	8/2014	Yoshita	D15/24
D716,845	S	*	11/2014	Hayami	D15/25
D773,537	S	*	12/2016	Fiser	D15/30
D774,112	S	*	12/2016	Fiser	D15/30
D830,421	S	*	10/2018	Colclough	D15/24
D830,422	S	*	10/2018	Colclough	D15/24
D830,426	S	*	10/2018	Colclough	D15/25
D842,344	S	*	3/2019	Okuyama	D15/23
D855,082	S	*	7/2019	Okuyama	D15/25
D855,660	S	*	8/2019	Jilbert	D15/25

* cited by examiner

(**) Term: **15 Years**

Primary Examiner — Mark A Goodwin

(21) Appl. No.: **29/720,232**

(74) *Attorney, Agent, or Firm* — Kilpatrick Townsend &
Stockton LLP

(22) Filed: **Jan. 10, 2020**

(51) **LOC (13) Cl.** **15-03**

(57) **CLAIM**

(52) **U.S. Cl.**
USPC **D15/25**

What is claimed is a design for an excavator, as shown and
described.

(58) **Field of Classification Search**

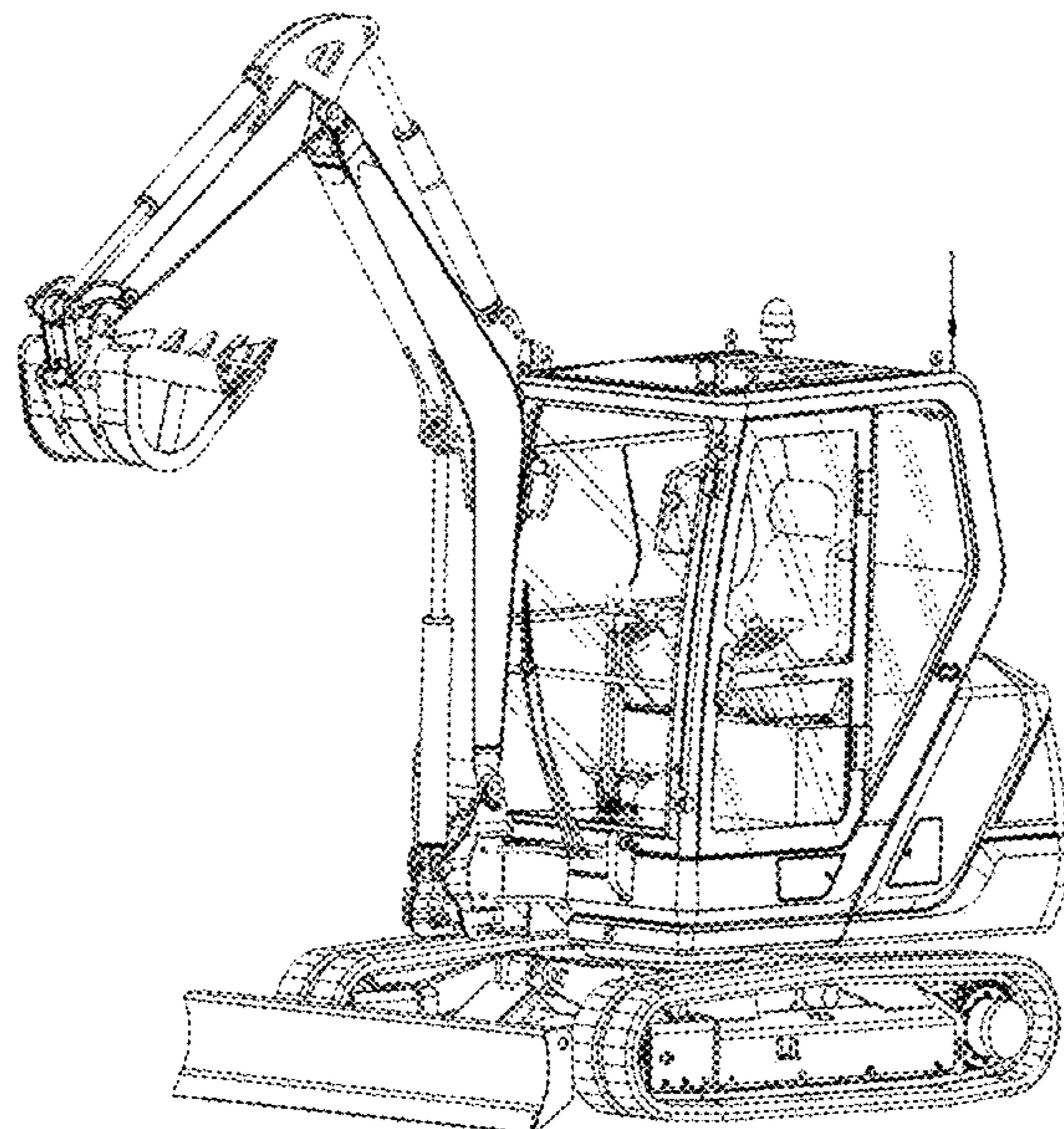
DESCRIPTION

USPC D15/10, 22-26, 28, 30; 180/89.1, 89.12,
180/89.13, 900, 9.1, 9.2, 9.62; 37/379;
414/694, 699, 722-724, 660, 685, 698,
414/719, 743

CPC E02F 3/32; E02F 3/76; E02F 3/40; E02F
3/325; E02F 3/352; E02F 3/384; E02F
3/425; E02F 3/437; E02F 3/627; E02F
3/964; E02F 9/163; E02F 9/0858; E02F
9/0875; E02F 9/2045; E02F 9/006; E02F
9/0808; E02F 9/0833; E02F 9/2004; E02F
9/207; E02F 9/2091; E02F 9/2246; E02F

FIG. 1 is a top left front perspective view of an excavator
showing of the present invention;
FIG. 2 is a top right rear perspective view thereof;
FIG. 3 is a front view thereof;
FIG. 4 is a rear view thereof;
FIG. 5 is a left view thereof;
FIG. 6 is a right view thereof; and,
FIG. 7 is a top view thereof.

1 Claim, 7 Drawing Sheets



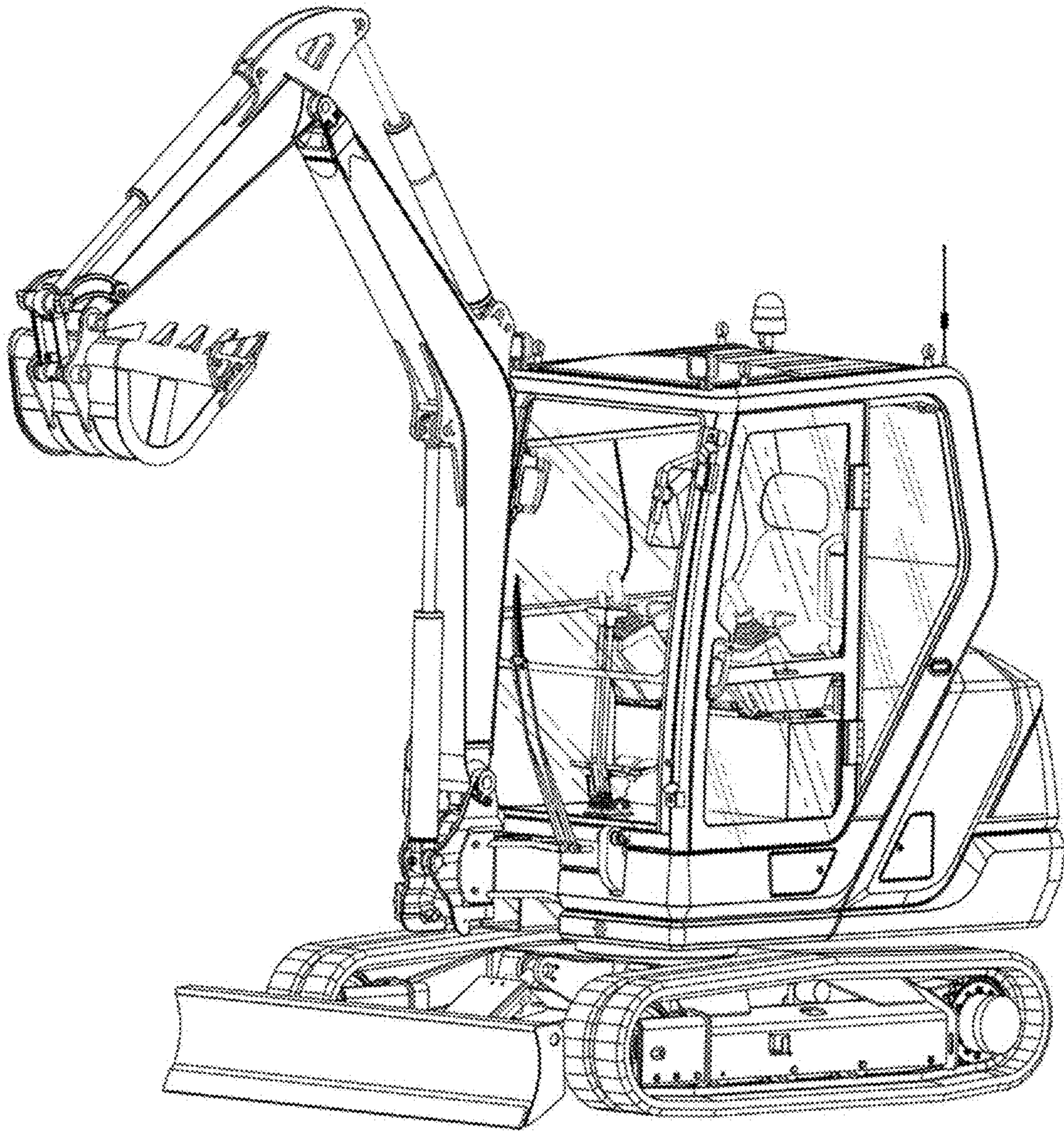


FIG. 1

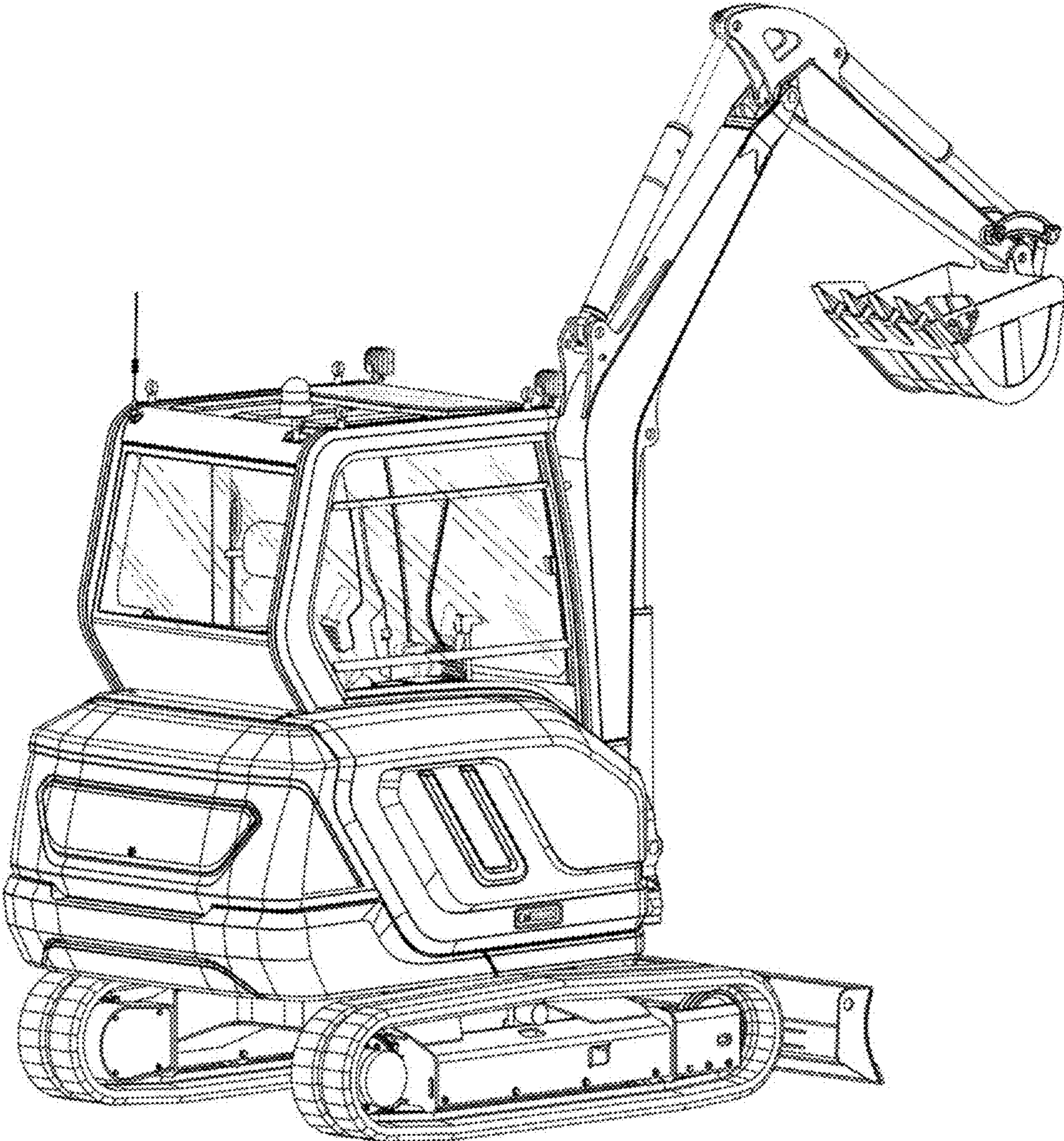


FIG. 2

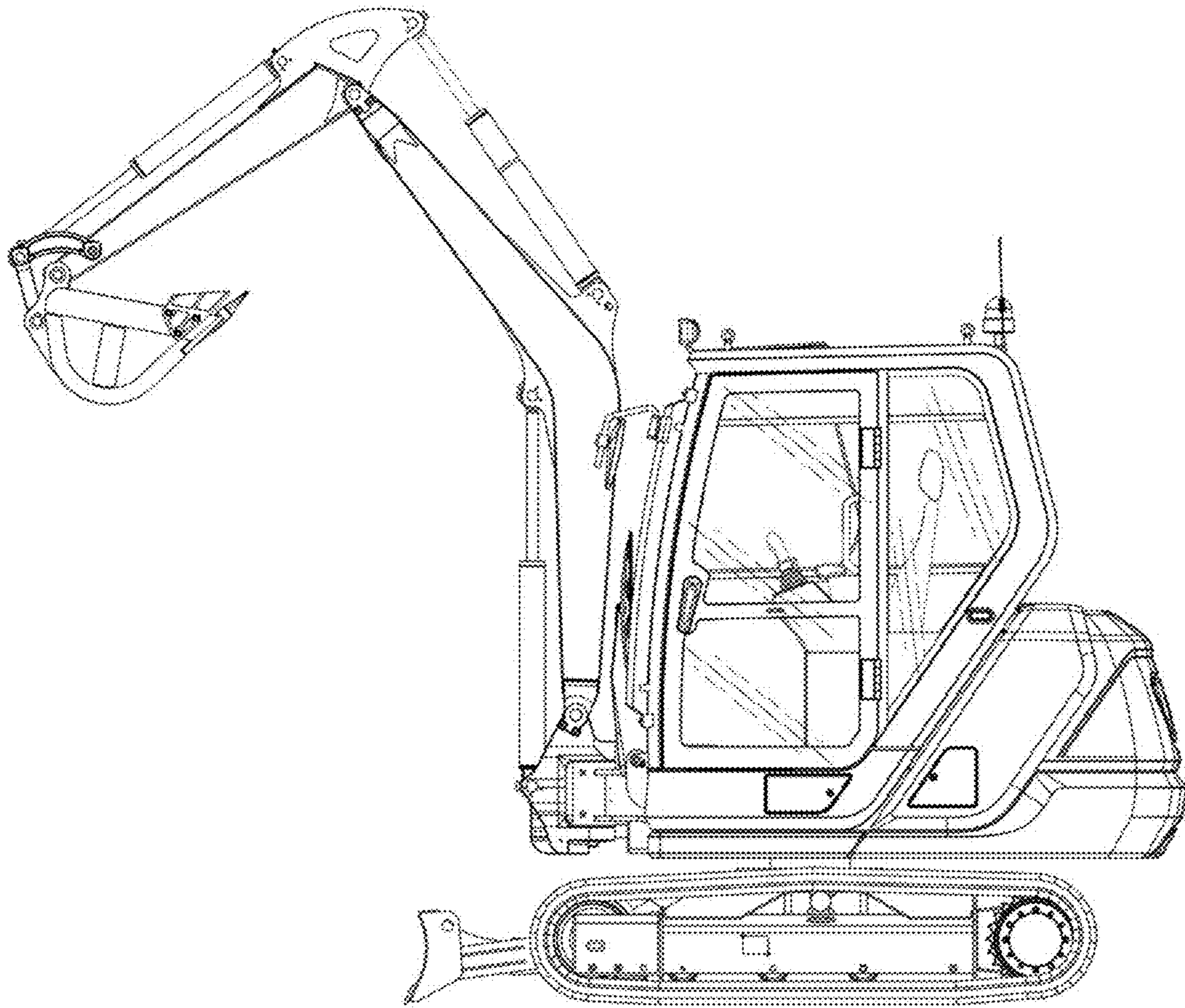


FIG. 3

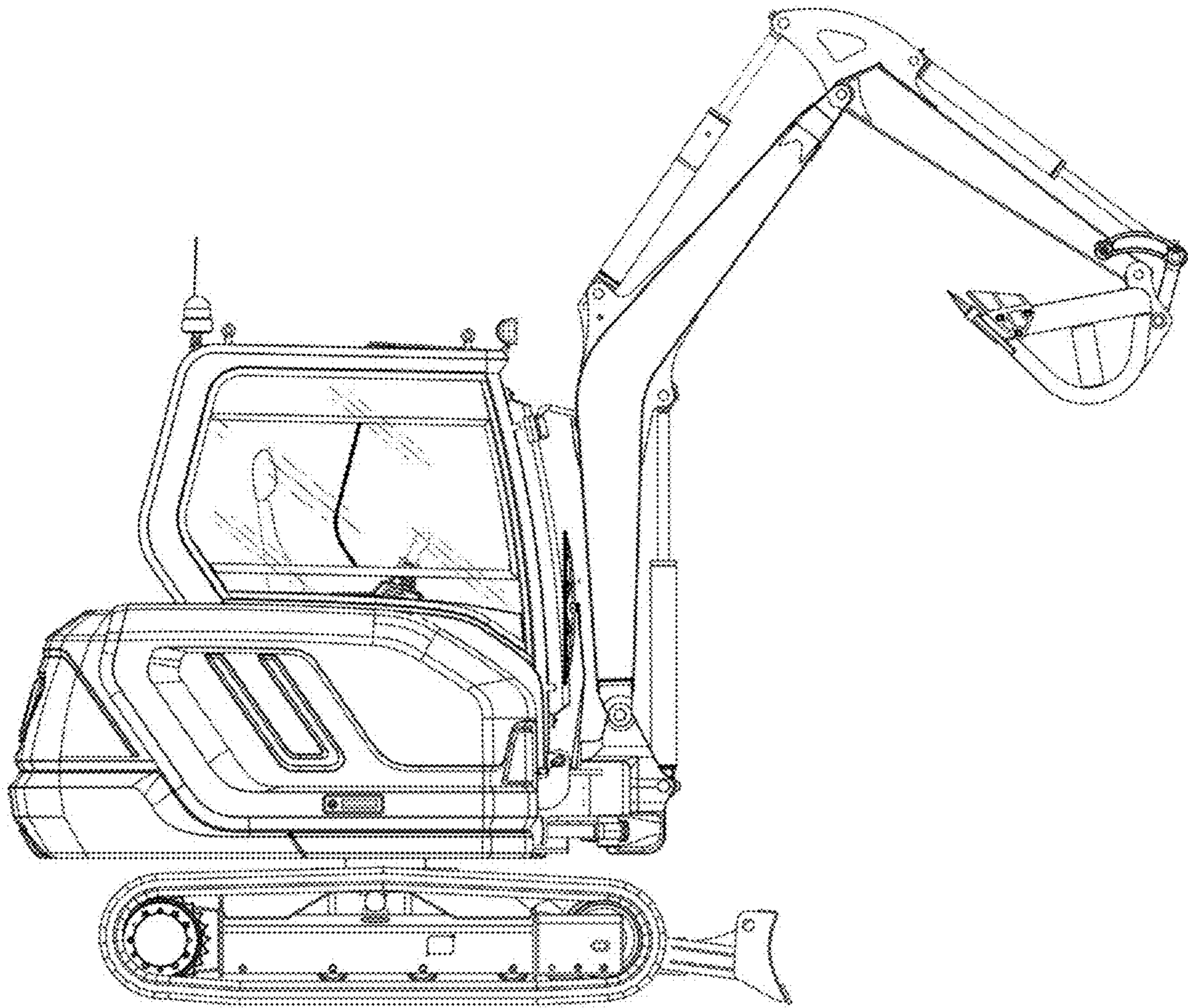


FIG. 4

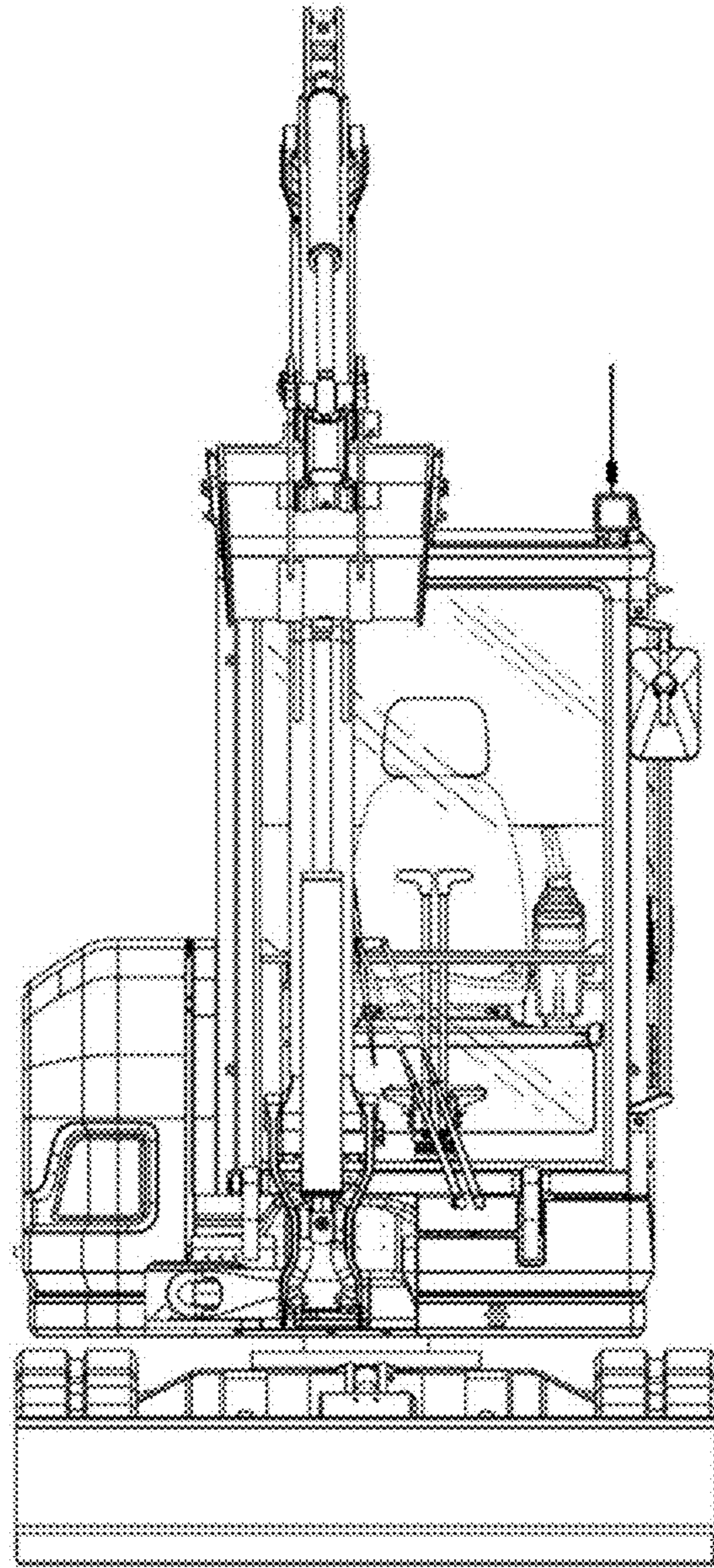


FIG. 5

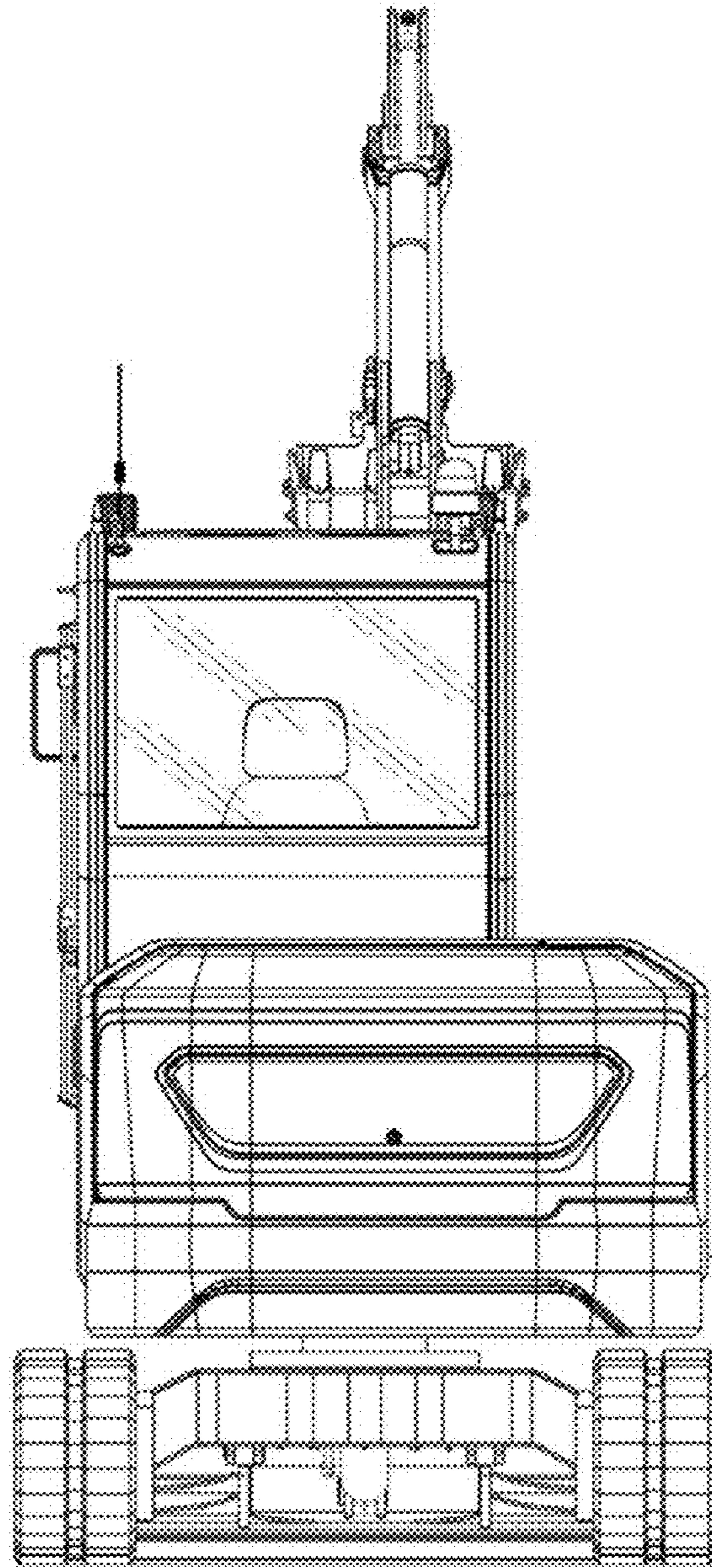


FIG. 6

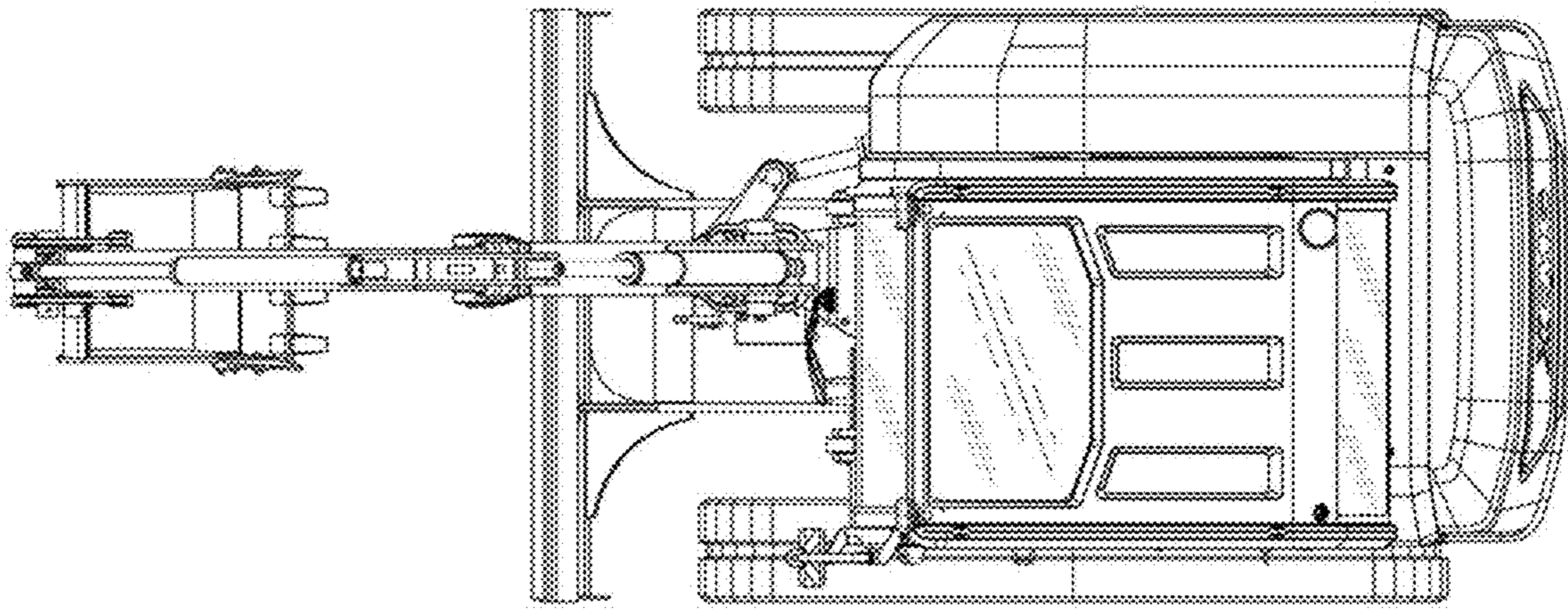


FIG. 7