



US00D908738S

(12) **United States Design Patent**
Tachibana

(10) **Patent No.:** **US D908,738 S**
(45) **Date of Patent:** **** Jan. 26, 2021**

(54) **POWER CULTIVATOR**

(71) Applicant: **DAYTONA CORPORATION,**
Shizuoka (JP)

(72) Inventor: **Akira Tachibana,** Sagamihara (JP)

(**) Term: **15 Years**

(21) Appl. No.: **35/508,236**

(22) Filed: **Dec. 6, 2019**

(80) **Hague Agreement Data**

Int. Filing Date: **Dec. 6, 2019**
Int. Reg. No.: **DM/204976**
Int. Reg. Date: **Dec. 6, 2019**
Int. Reg. Pub. Date: **Dec. 27, 2019**

(30) **Foreign Application Priority Data**

Jun. 12, 2019 (JP) 2019-012959

(51) **LOC (13) Cl.** **15-03**

(52) **U.S. Cl.**
USPC **D15/12**

(58) **Field of Classification Search**
USPC D15/10-12; 172/41-44, 57, 72, 78, 74,
172/250, 256, 260, 329, 351, 365;
180/53.1; 56/16.7
CPC A01B 33/028
See application file for complete search history.

(56) **References Cited**

U.S. PATENT DOCUMENTS

D231,005 S * 3/1974 Noma et al. D15/12
3,985,185 A * 10/1976 Pierce A01B 33/16
172/81
D249,518 S * 9/1978 Cognata D15/12
4,191,259 A * 3/1980 Boren A01B 33/028
172/27
D281,610 S * 12/1985 Sasaki D15/12

D281,611 S * 12/1985 Mikado D15/12
4,640,366 A * 2/1987 Saito B62D 51/06
172/250
5,197,551 A * 3/1993 Farley A01B 33/028
172/351
D415,502 S * 10/1999 Yoshida D15/12
D416,026 S * 11/1999 Ohsumi D15/12
D449,052 S * 10/2001 Ito D15/12
6,540,031 B1 * 4/2003 Sasaoka A01B 33/028
172/351
D475,067 S * 5/2003 Ito D15/12
D486,502 S * 2/2004 Yuzuriha D15/12
D540,827 S * 4/2007 Notaras D15/12

(Continued)

FOREIGN PATENT DOCUMENTS

CN 201130329702.1 3/2012
EM 000831193-0001 1/2008
EM 001916255-0001 9/2011

Primary Examiner — Richard E Chilcot

(57) **CLAIM**

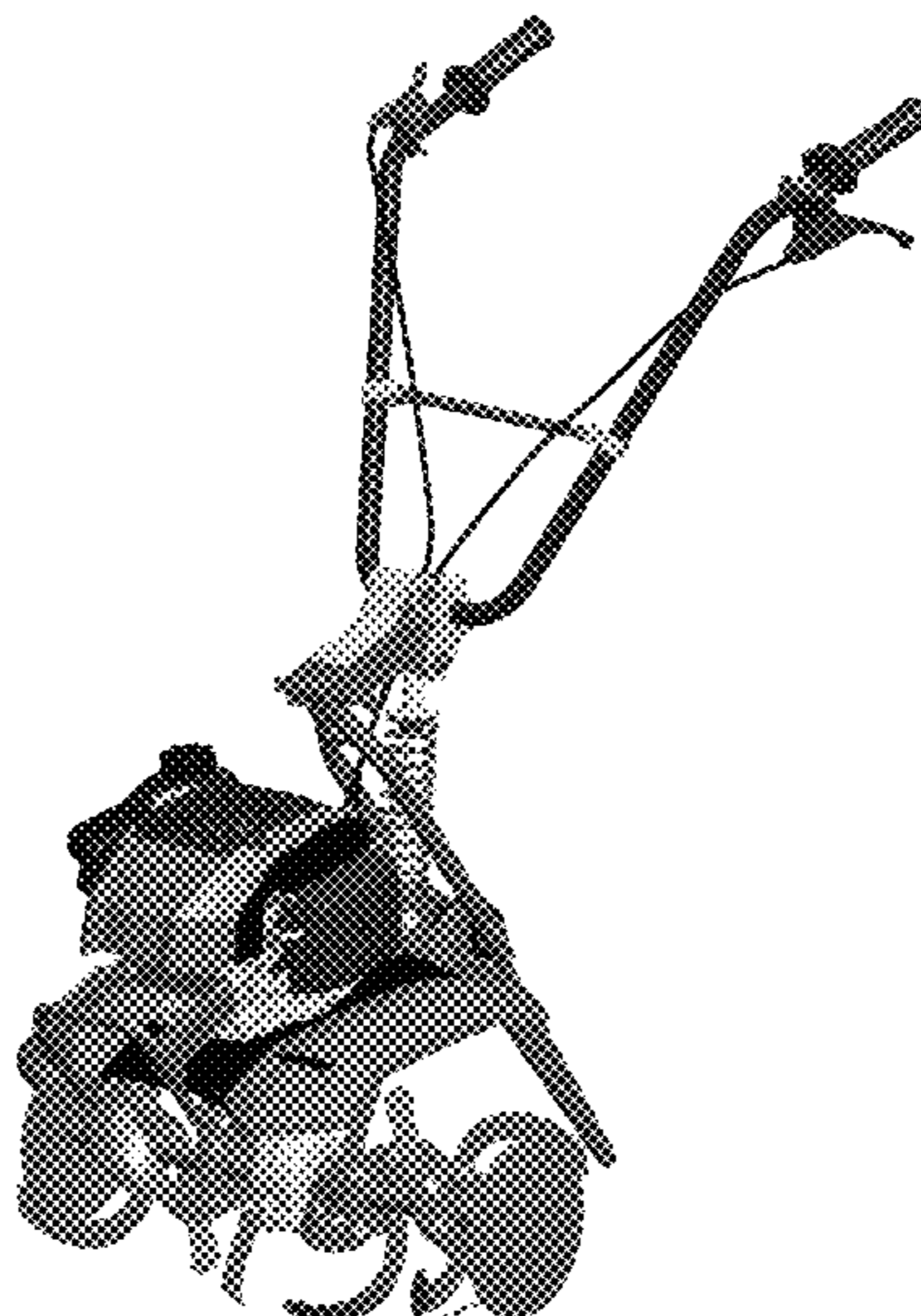
The ornamental design for a power cultivator, as shown and described.

DESCRIPTION

- 1. Power cultivator
- 1.1 : Perspective
- 1.2 : Perspective
- 1.3 : Front
- 1.4 : Back
- 1.5 : Top
- 1.6 : Bottom
- 1.7 : Left
- 1.8 : Right

Fig. 1.1 is a right-front perspective view of a power cultivator showing our new design; fig. 1.2 is a left-rear perspective view thereof; fig. 1.3 is a front view thereof; fig. 1.4 is a rear view thereof; fig. 1.5 is a top plan view of thereof; fig. 1.6 is a bottom plan view thereof; fig. 1.7 is a left side view thereof; and fig. 1.8 is a right side view thereof.

1 Claim, 8 Drawing Sheets



(56)

References Cited

U.S. PATENT DOCUMENTS

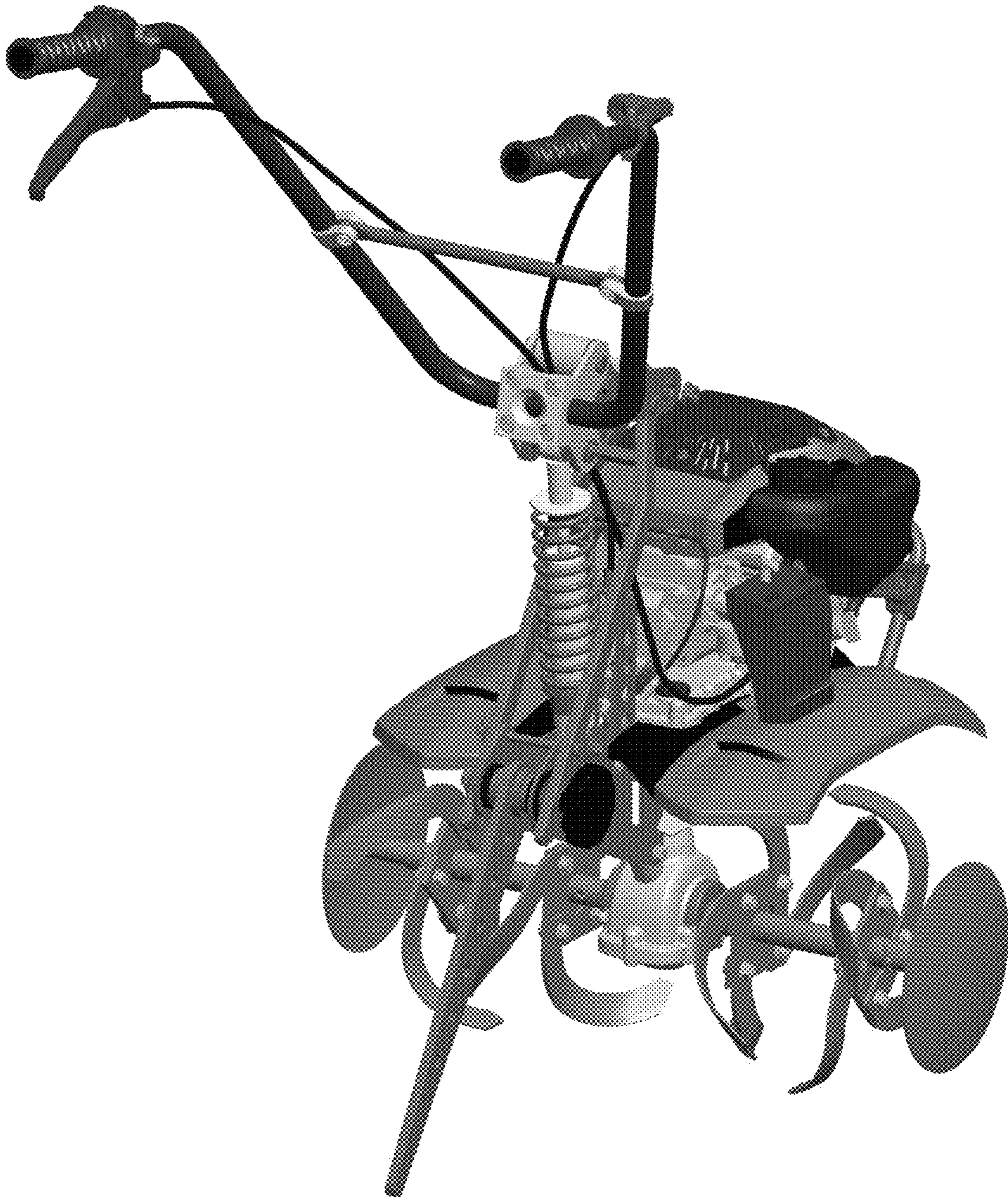
| | | | | |
|--------------|------|---------|----------------|-----------------------|
| D567,822 | S * | 4/2008 | Martz | D15/12 |
| D613,772 | S * | 4/2010 | Azuma | D15/12 |
| D635,153 | S * | 3/2011 | Gerbaud | D15/12 |
| D654,509 | S * | 2/2012 | Baetica | D15/12 |
| D654,510 | S * | 2/2012 | Baetica | D15/12 |
| 2003/0159838 | A1 * | 8/2003 | Miyahara | A01B 33/028 172/42 |
| 2004/0194982 | A1 * | 10/2004 | Fukuzumi | A01D 34/828 172/42 |

* cited by examiner

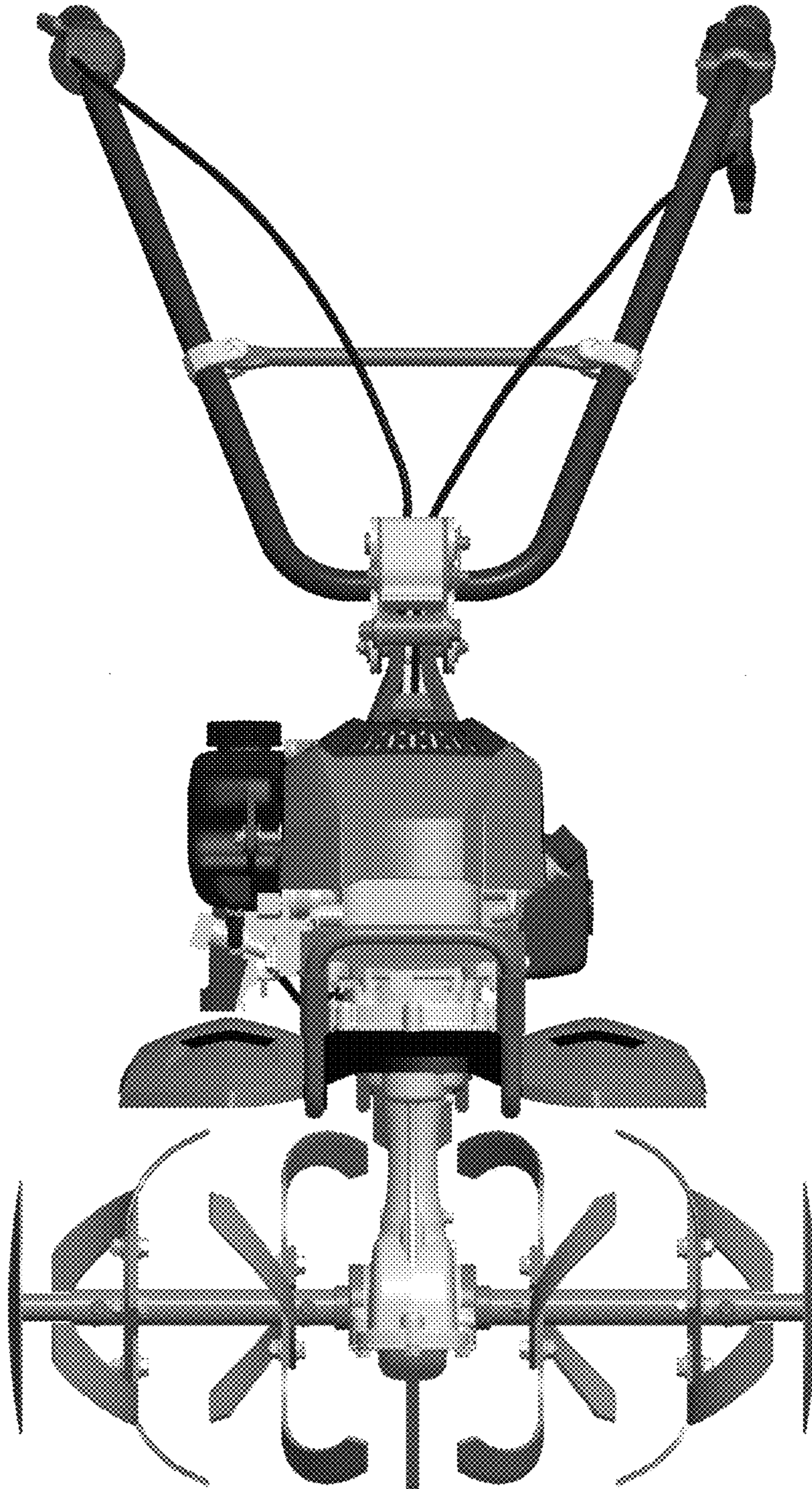
1.1



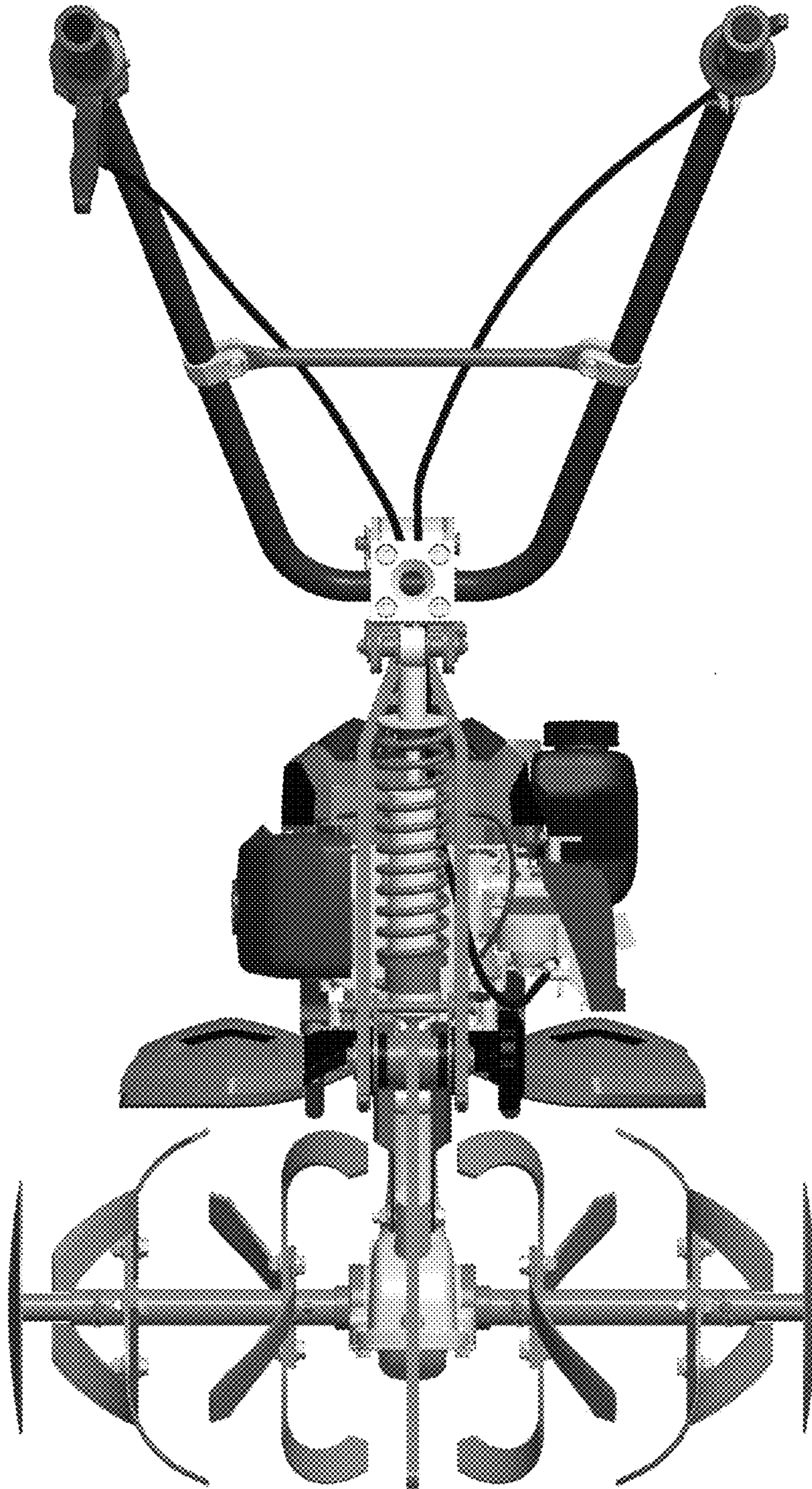
1.2



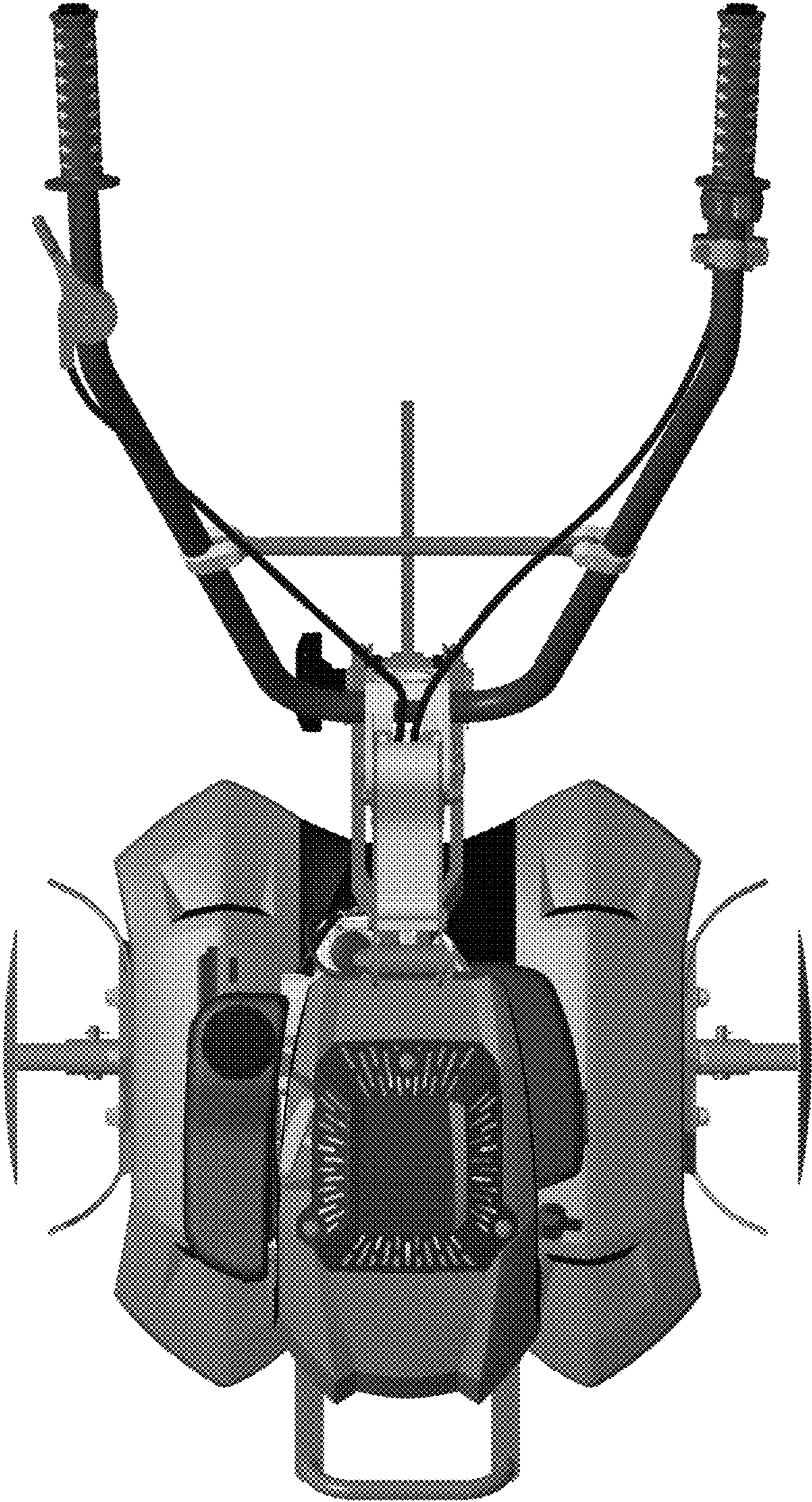
1.3



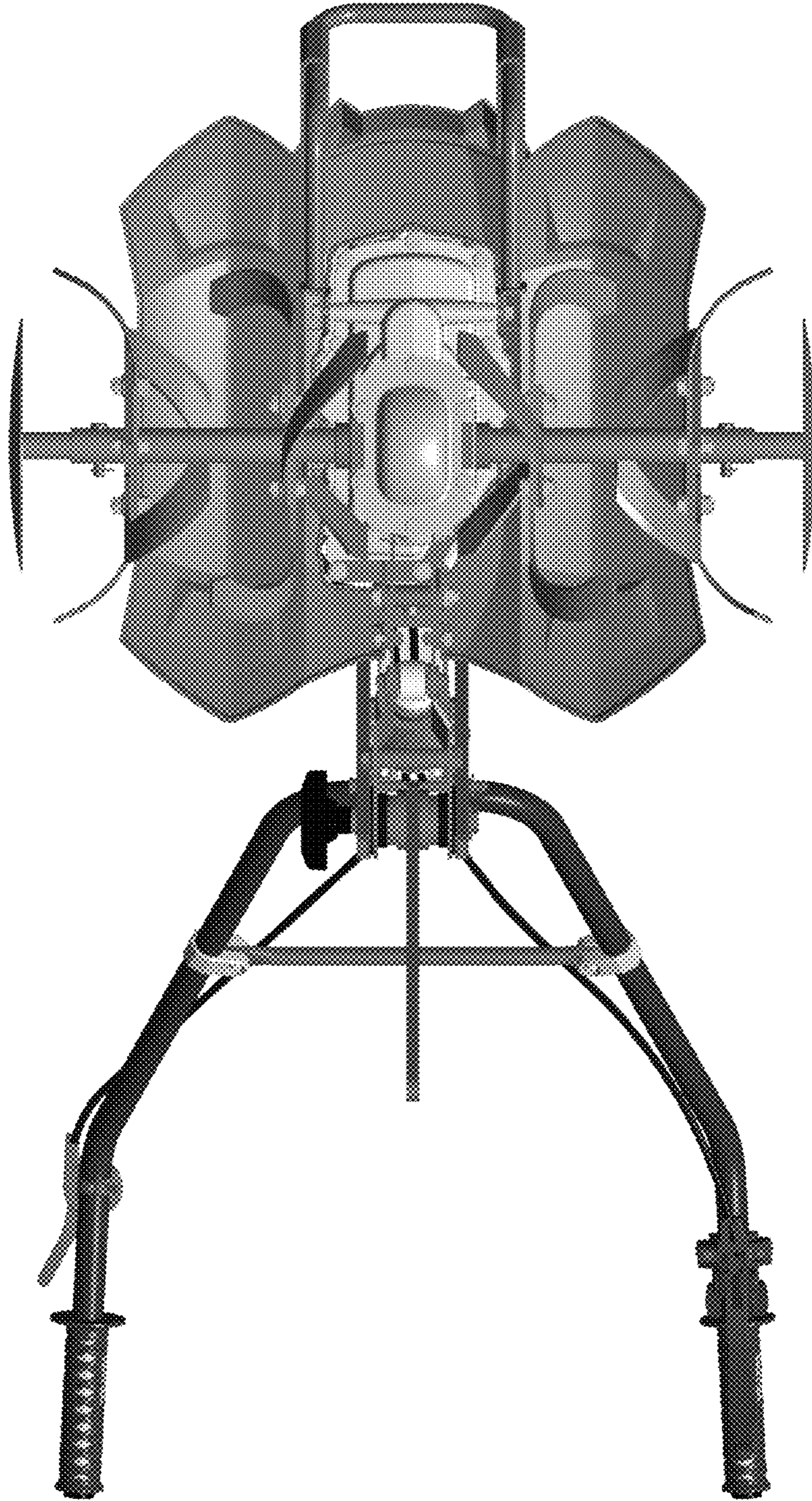
1.4



1.5



1.6



1.7



1.8

