



US00D908735S

(12) **United States Design Patent** (10) **Patent No.:** **US D908,735 S**  
**Hudnall et al.** (45) **Date of Patent:** **\*\* Jan. 26, 2021**

(54) **COOLING MANIFOLD**

OTHER PUBLICATIONS

(71) Applicant: **Holley Performance Products, Inc.**,  
Bowling Green, KY (US)  
(72) Inventors: **Coy Hudnall**, Bowling Green, KY  
(US); **Kevin Tracy**, Port Charlotte, FL  
(US)  
(73) Assignee: **Holley Performance Products, Inc.**,  
Bowling Green, KY (US)  
(\*\*) Term: **15 Years**

Design U.S. Appl. No. 29/616,435 entitled "Cooling Manifold"  
filed Sep. 6, 2017.  
(Continued)

*Primary Examiner* — Ania Aman  
(74) *Attorney, Agent, or Firm* — Middleton Reutlinger

(21) Appl. No.: **29/707,393**  
(22) Filed: **Sep. 27, 2019**  
(51) **LOC (13) Cl.** ..... **15-01**  
(52) **U.S. Cl.**  
USPC ..... **D15/5**  
(58) **Field of Classification Search**  
USPC ..... D15/1-9; D23/231, 232, 225; D12/160,  
D12/159  
CPC .... F04D 29/426; F04D 29/126; F04D 29/445;  
F04D 29/086; F04D 29/167; F04D 29/44;  
F04D 29/58; F04D 29/60; F04D 29/601;  
F04D 29/602  
See application file for complete search history.

(57) **CLAIM**

The ornamental design for a cooling manifold, as shown and  
described.

**DESCRIPTION**

FIG. 1 is an upper perspective view of a first design of a  
cooling manifold;  
FIG. 2 is a front view of the design of FIG. 1;  
FIG. 3 is a rear view of the design of FIG. 1;  
FIG. 4 is a first side view of the design of FIG. 1;  
FIG. 5 is a second side view of the design of FIG. 1;  
FIG. 6 is a top view of the design of FIG. 1;  
FIG. 7 is a bottom view of the design of FIG. 1;  
FIG. 8 is a lower perspective view of the design of FIG. 1;  
FIG. 9 is an upper perspective view of a second design of a  
cooling manifold;  
FIG. 10 is a front view of the design of FIG. 9;  
FIG. 11 is a rear view of the design of FIG. 9;  
FIG. 12 is a first side view of the design of FIG. 9;  
FIG. 13 is a second side view of the design of FIG. 9;  
FIG. 14 is a top view of the design of FIG. 9;  
FIG. 15 is a bottom view of the design of FIG. 9; and,  
FIG. 16 is a lower perspective view of the design of FIG. 9.  
The broken lines shown in the drawings are included for the  
purpose of illustrating the unclaimed boundary and  
unclaimed portions of the cooling manifold. The broken  
lines form no part of the claimed design.

(56) **References Cited**

U.S. PATENT DOCUMENTS

D268,585 S \* 4/1983 Drakulic ..... D15/5  
5,148,863 A 9/1992 Fouts et al.  
5,325,915 A 7/1994 Fouts et al.  
6,244,239 B1 \* 6/2001 Sisco ..... F02B 67/06  
123/192.1

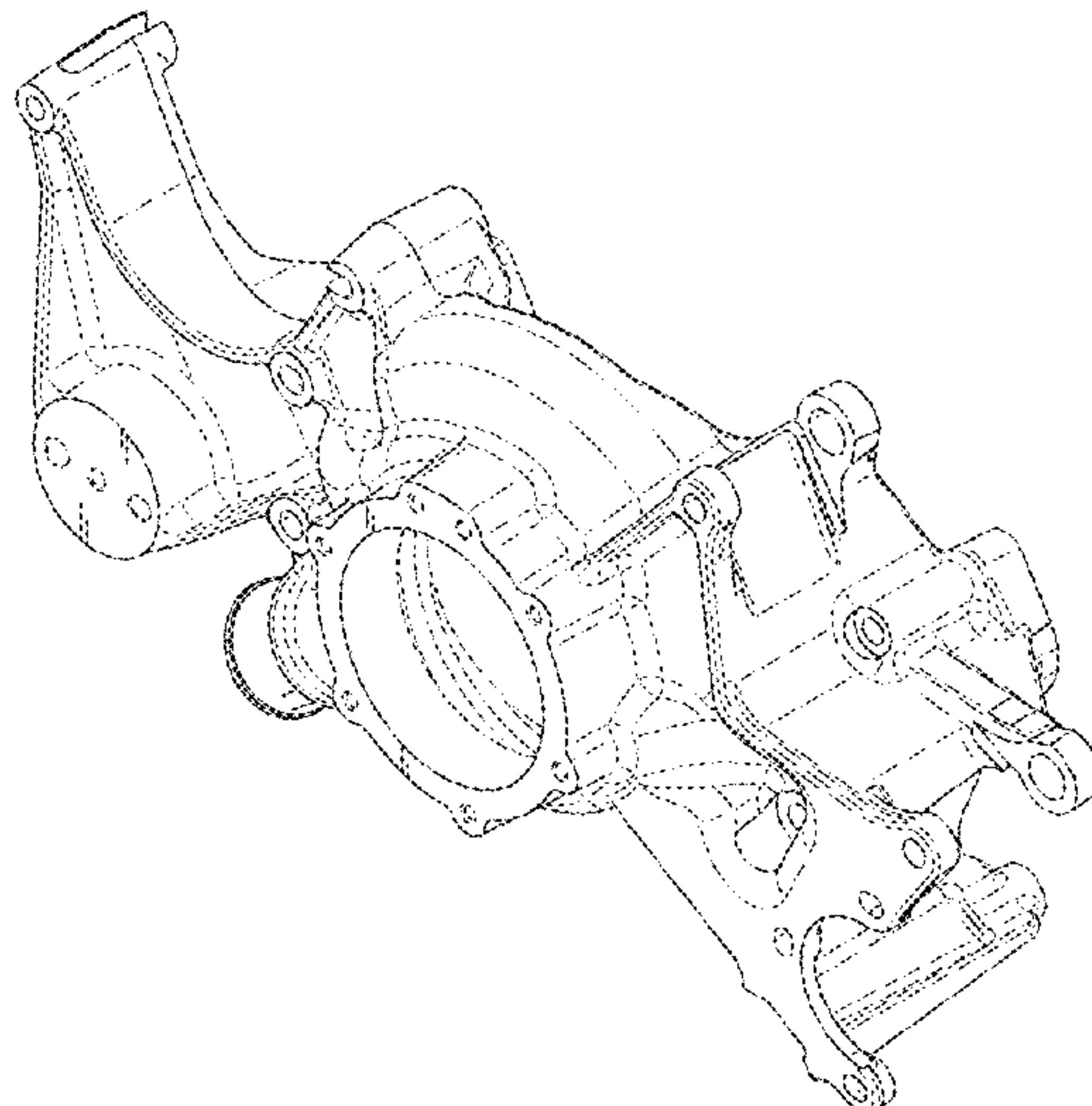
(Continued)

FOREIGN PATENT DOCUMENTS

AU 201811295 5/2018  
AU 201812792 6/2018

(Continued)

**1 Claim, 16 Drawing Sheets**



# US D908,735 S

Page 2

(56)

## References Cited

### U.S. PATENT DOCUMENTS

6,270,314 B1 \* 8/2001 Nomoto ..... F04D 29/086  
415/172.1  
6,446,699 B1 \* 9/2002 Schober ..... F04D 29/426  
164/113  
7,578,277 B2 \* 8/2009 Inui ..... F01M 1/02  
123/192.2  
D779,560 S \* 2/2017 Fox ..... D15/5  
D779,561 S \* 2/2017 Fox ..... D15/5  
D808,439 S 1/2018 Hudnall et al.  
D819,083 S \* 5/2018 Fisher ..... D15/5  
2008/0173274 A1 \* 7/2008 Inui ..... F01M 1/02  
123/196 R  
2015/0345366 A1 \* 12/2015 Gacka ..... F01P 5/12  
123/41.47  
2017/0082011 A1 \* 3/2017 Huckey ..... F01P 5/12

### FOREIGN PATENT DOCUMENTS

AU 201910218 3/2019  
AU 201910224 3/2019

AU 201910225 3/2019  
AU 201911575 4/2019  
AU 201911576 4/2019  
AU 201911578 4/2019  
AU 202010280 3/2020

### OTHER PUBLICATIONS

Design U.S. Appl. No. 29/658,716 entitled "Cooling Manifold" filed Aug. 2, 2018.  
Design U.S. Appl. No. 29/658,718 entitled "Cooling Manifold" filed Aug. 2, 2018.  
Design U.S. Appl. No. 29/658,719 entitled "Cooling Manifold" filed Aug. 2, 2018.  
Design U.S. Appl. No. 29/707,394 entitled "Cooling Manifold" filed Sep. 27, 2019.  
Holley Performance Products, Inc., 2017 New & Hot Products, Catalogue, 3 pages, Nov. 1, 2016. [the instant application is a design that attaches to the water pump shown].  
IP Australia, Formalities Notice No. 1 for AU 202010280 dated Feb. 24, 2020.

\* cited by examiner

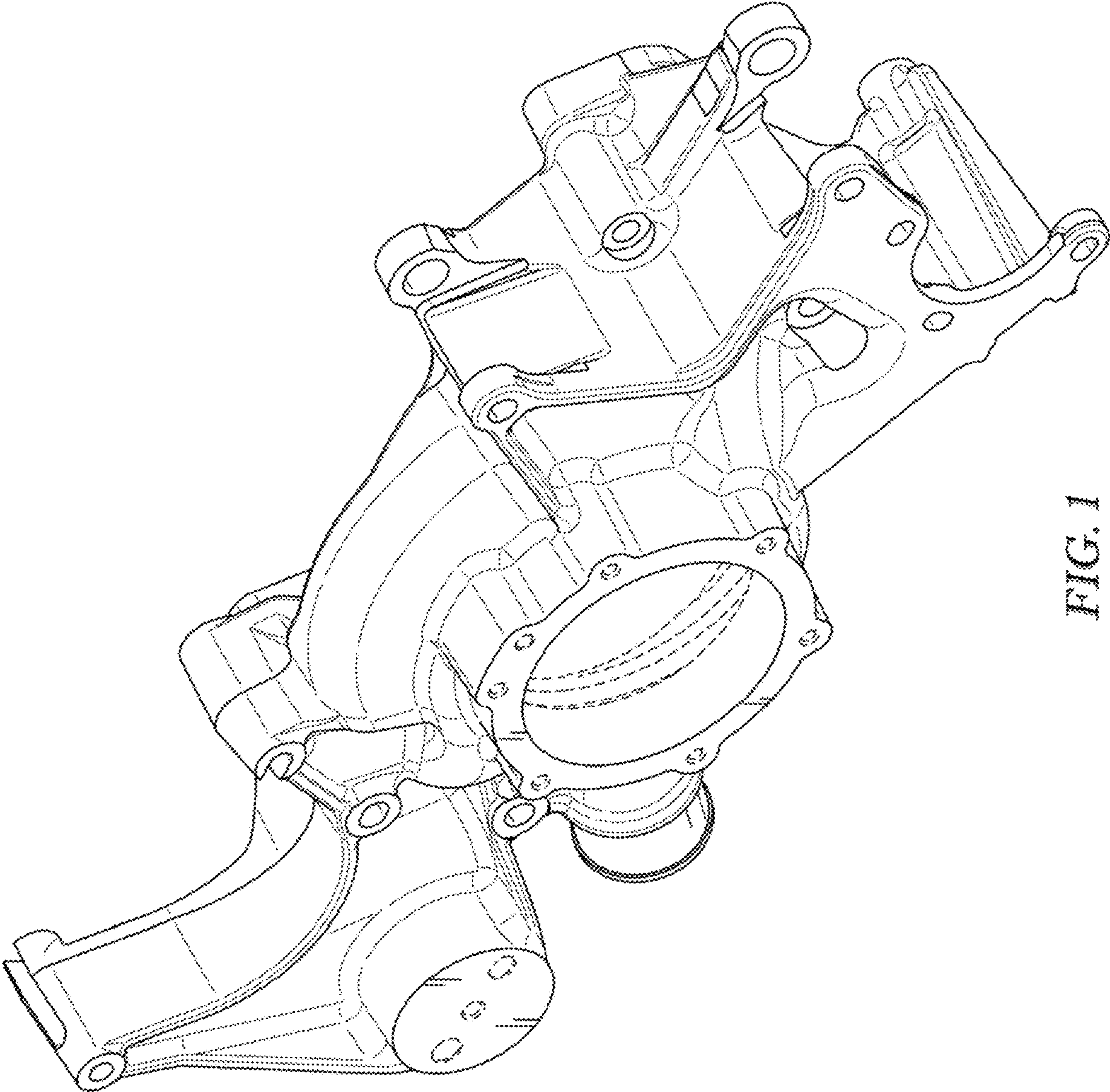


FIG. 1



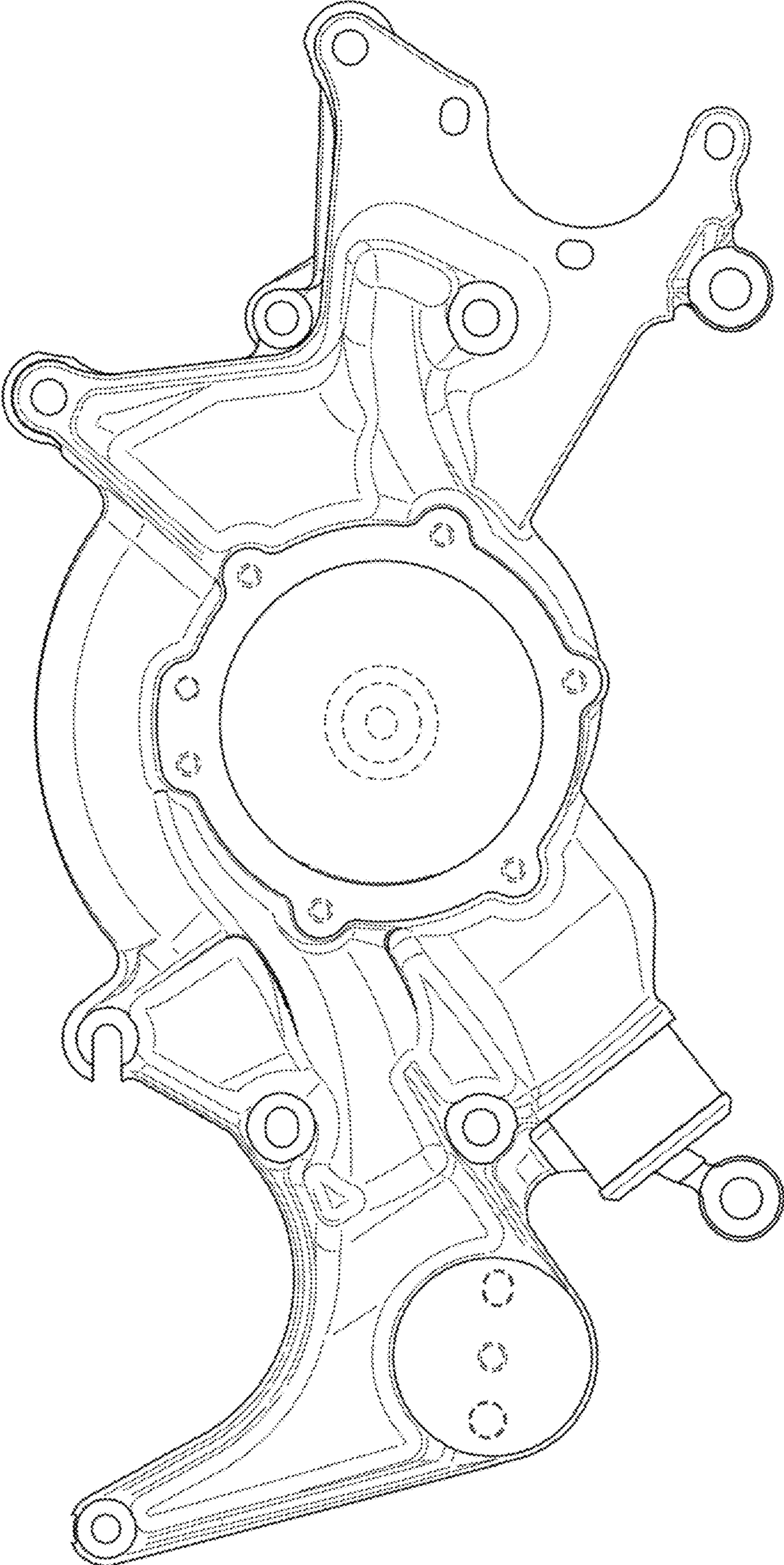


FIG. 2

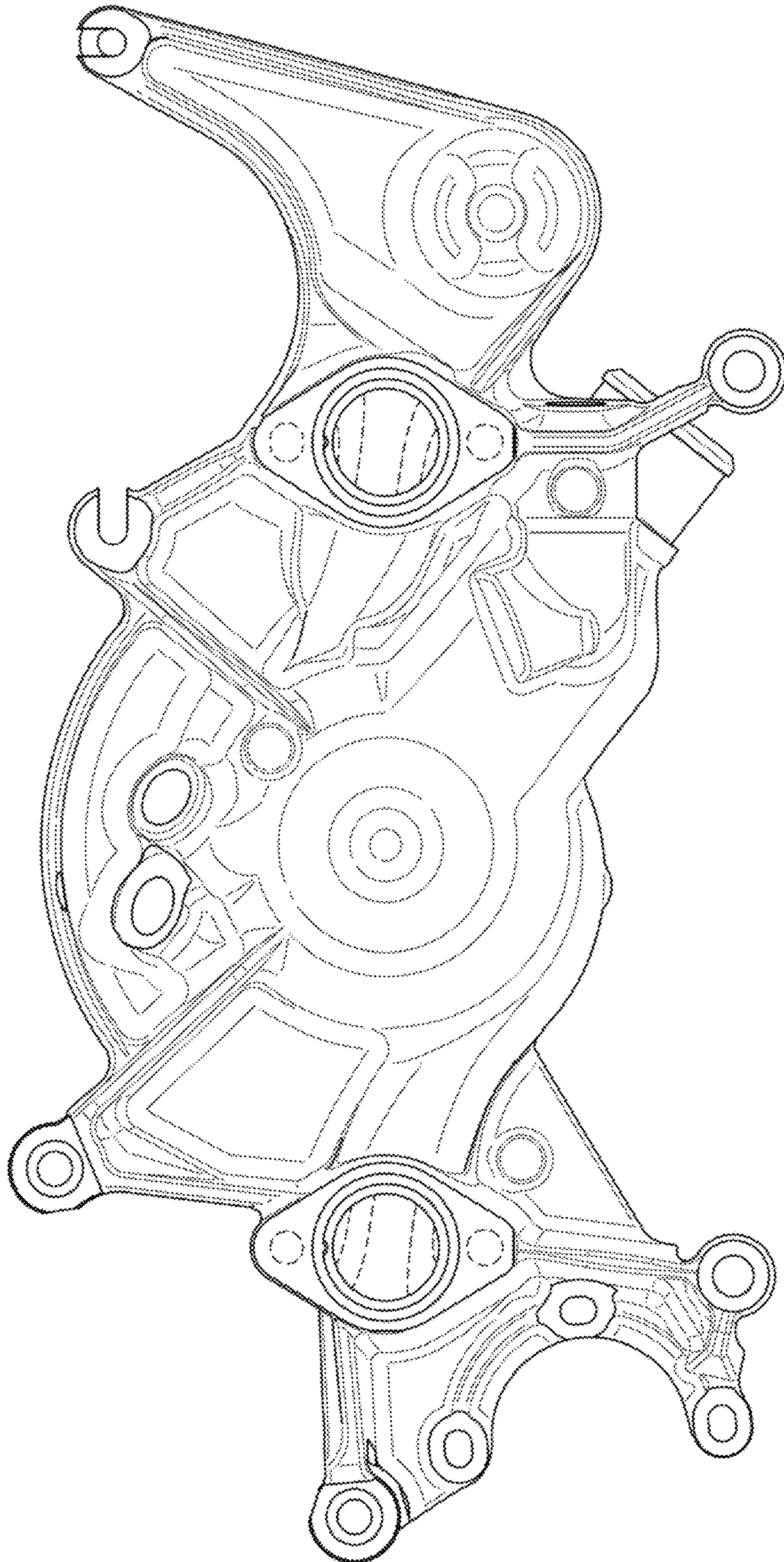


FIG. 3

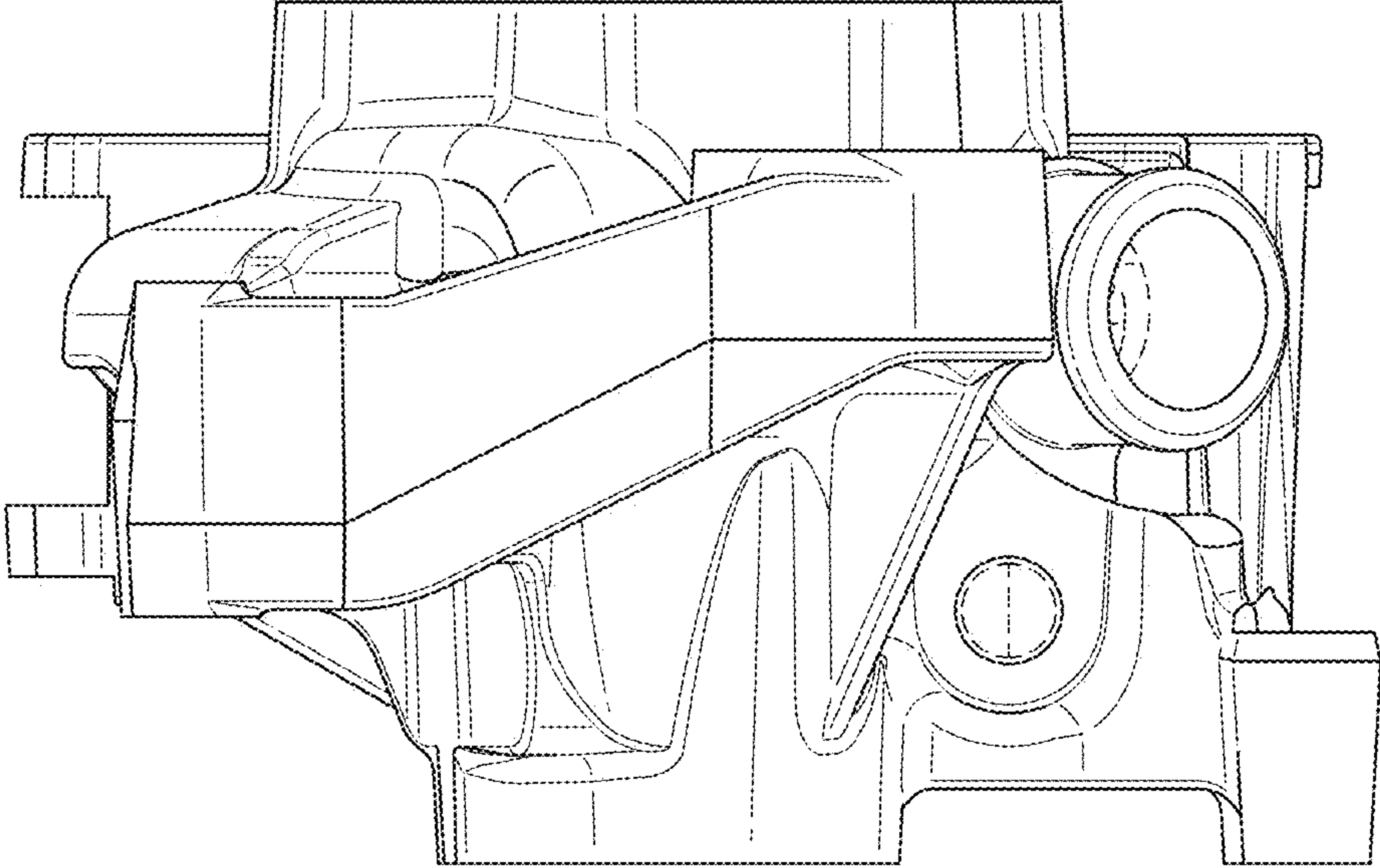


FIG. 4



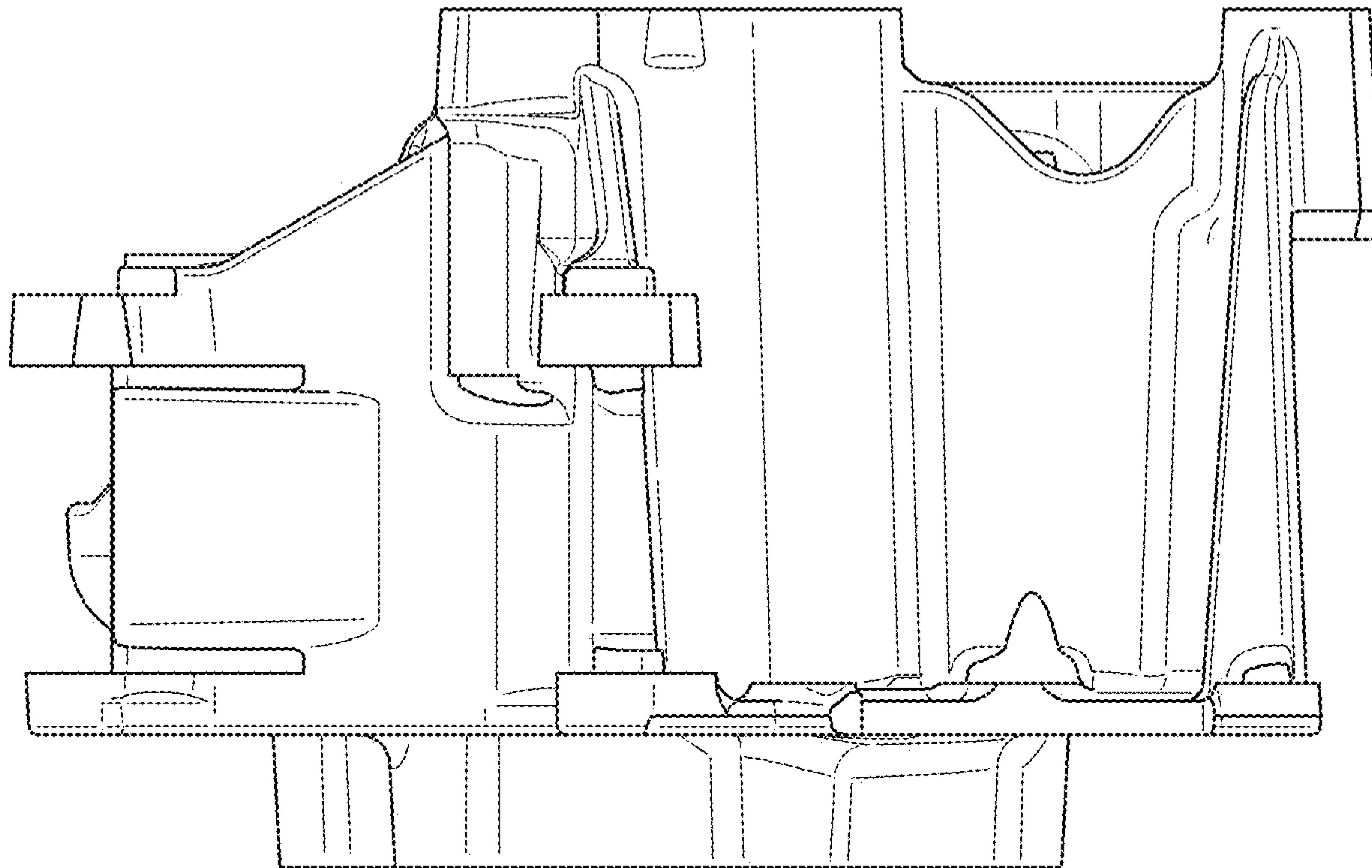


FIG. 5

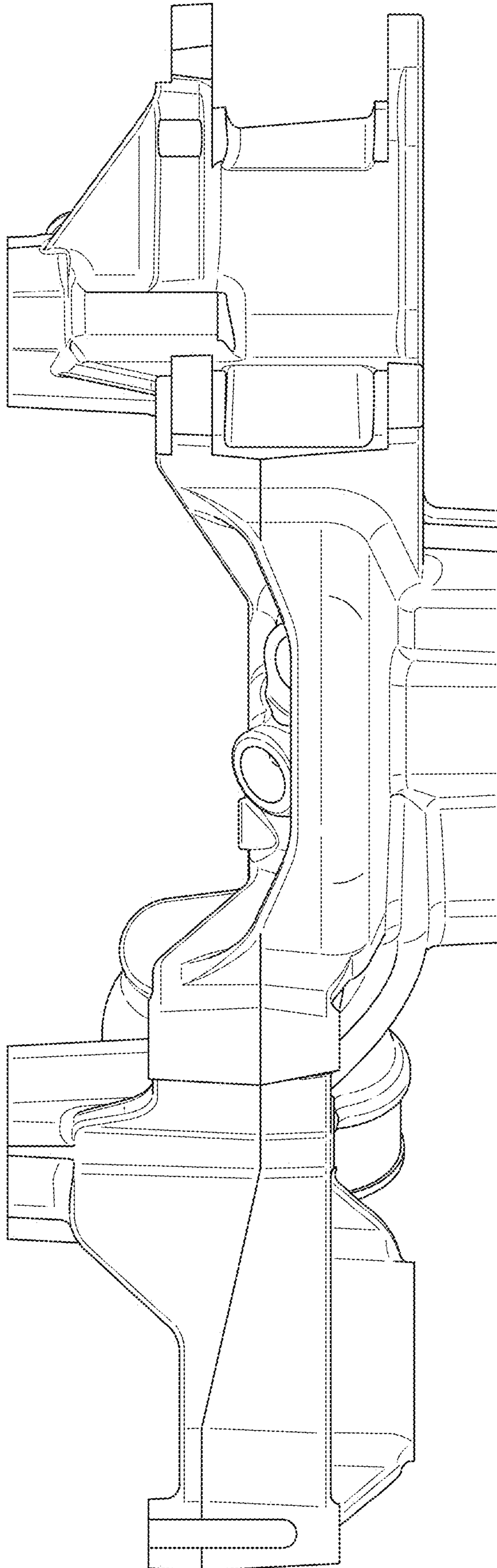


FIG. 6



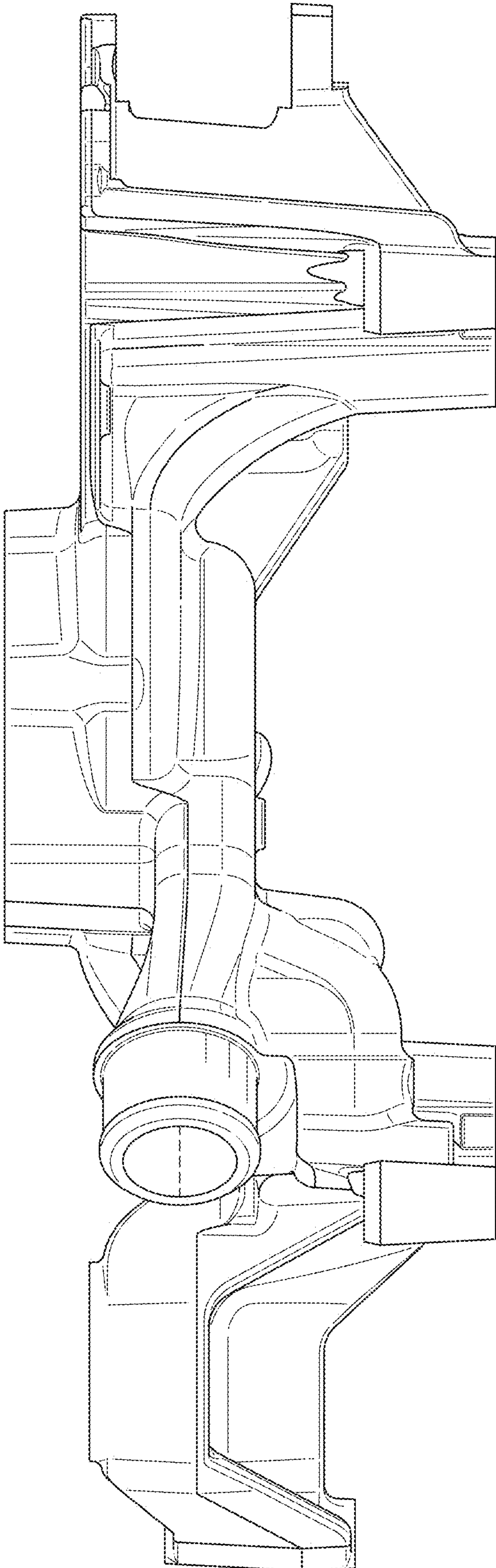


FIG. 7

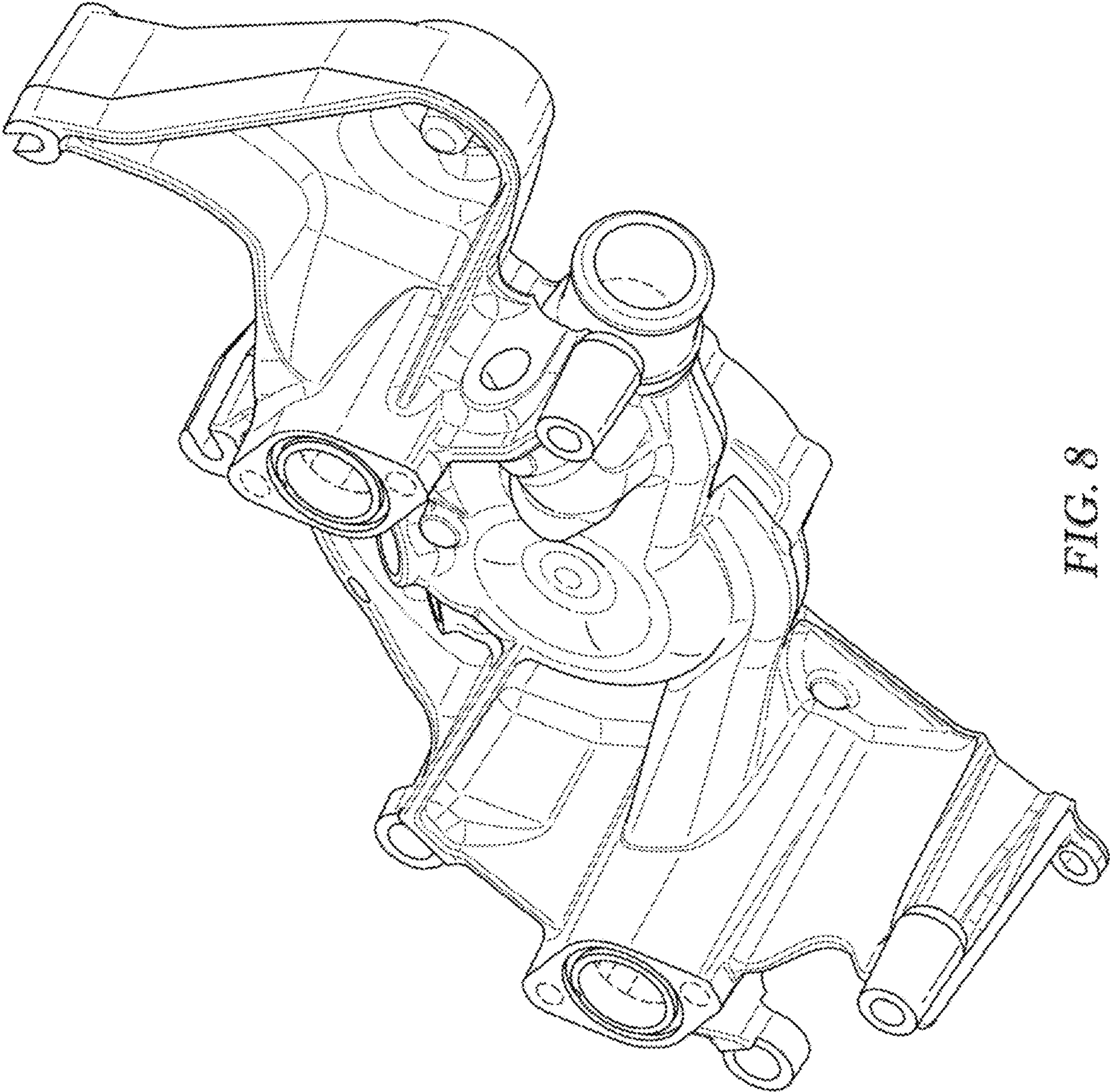


FIG. 8

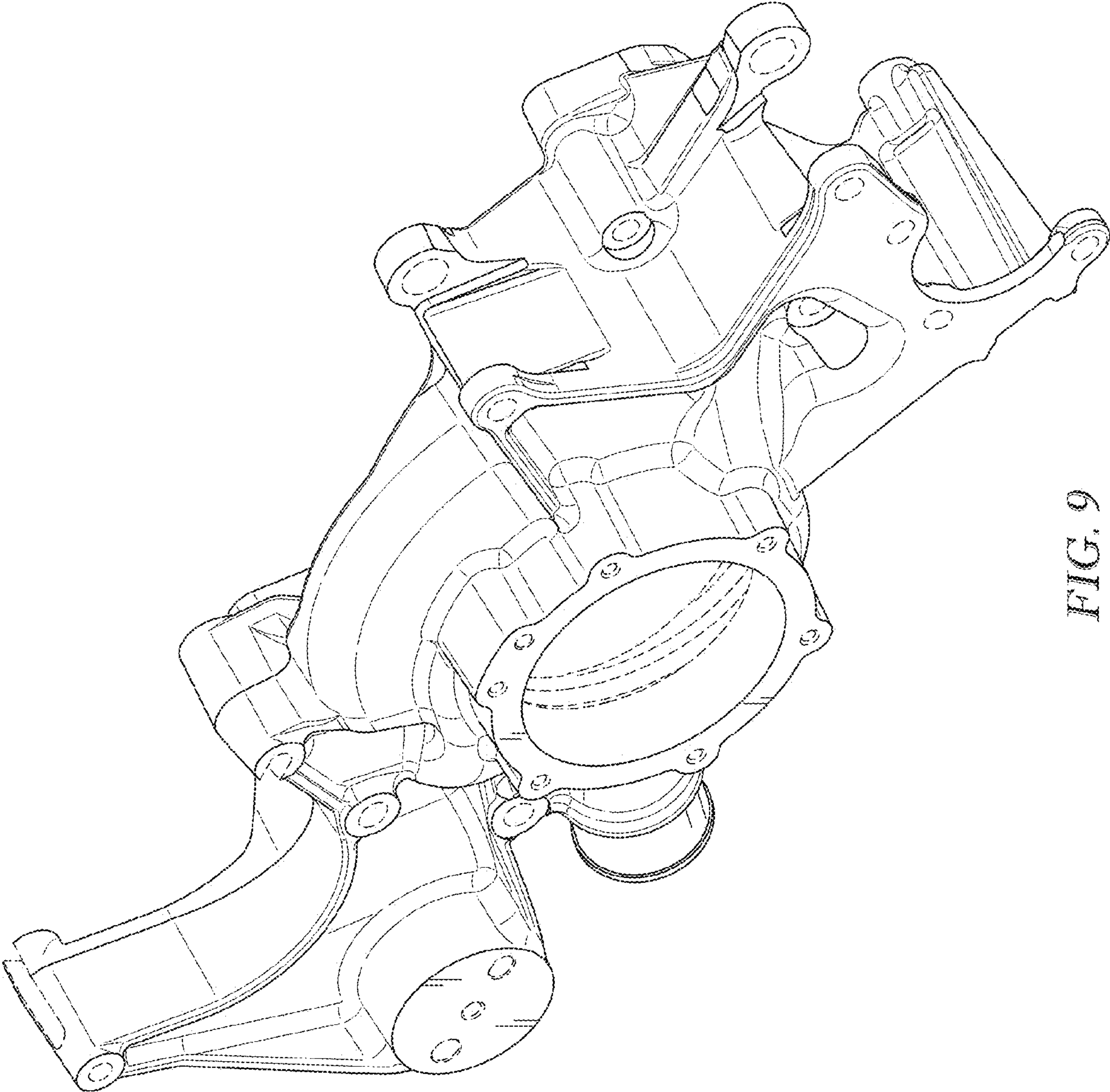


FIG. 9



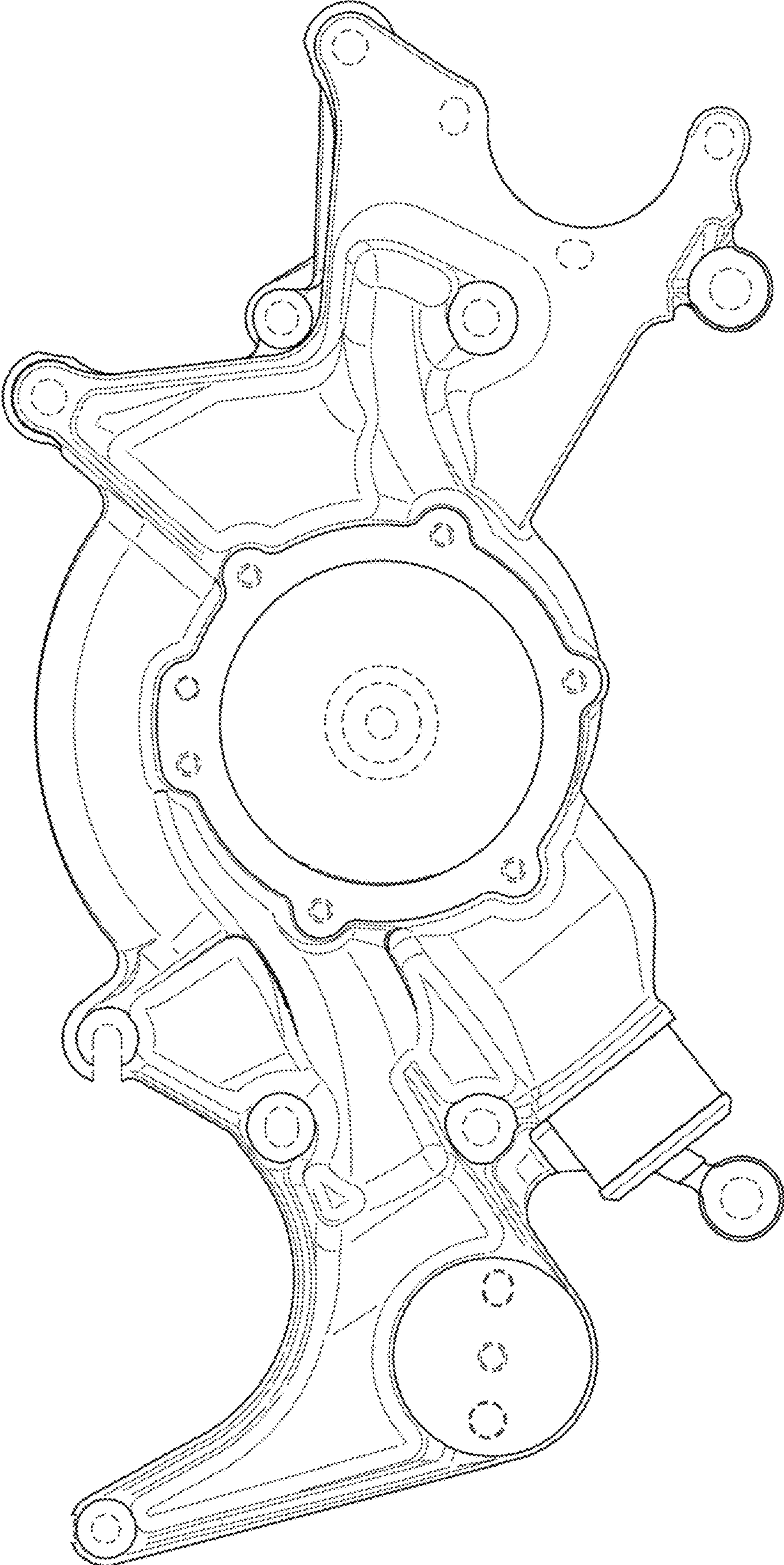


FIG. 10

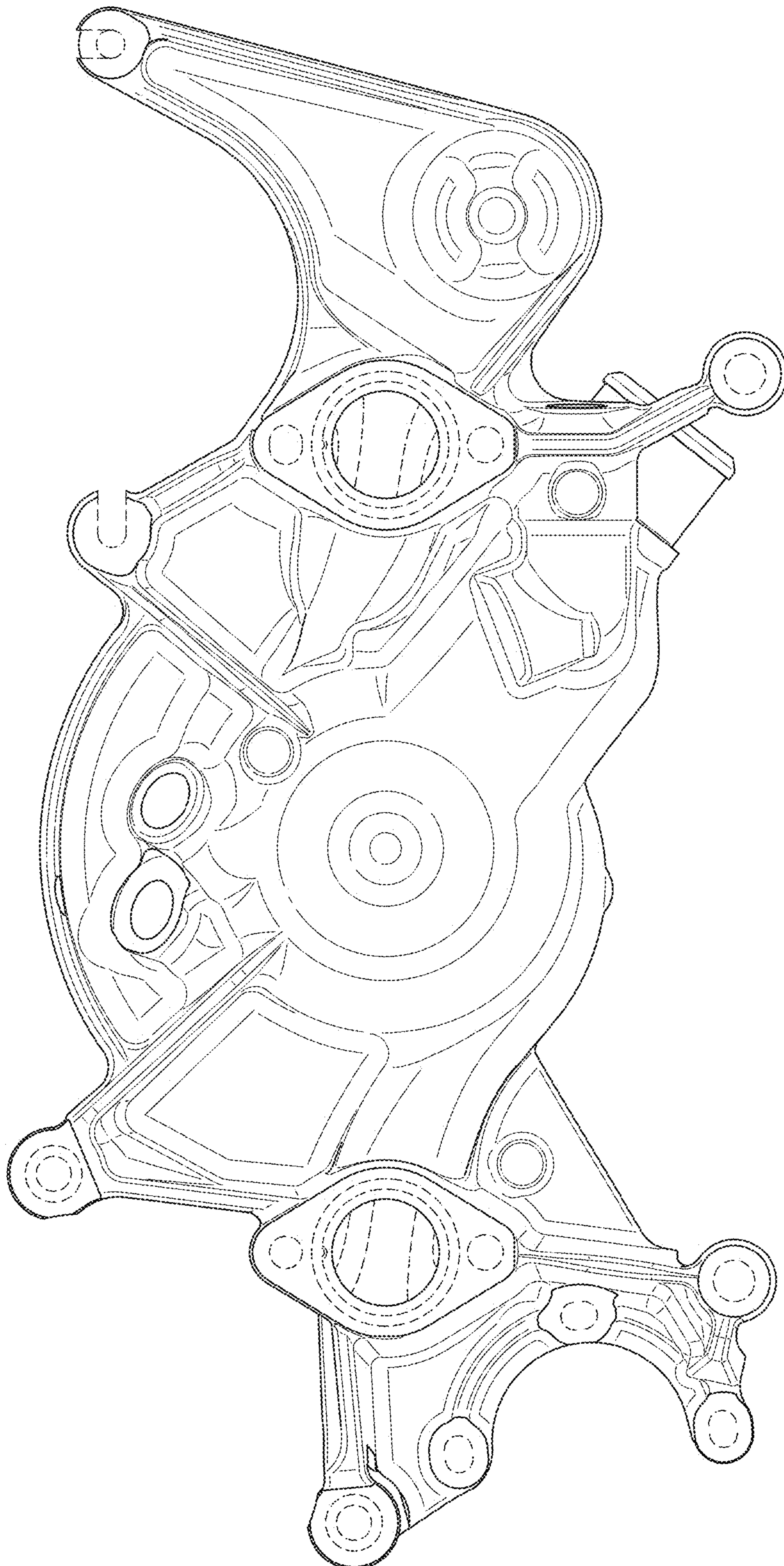


FIG. 11

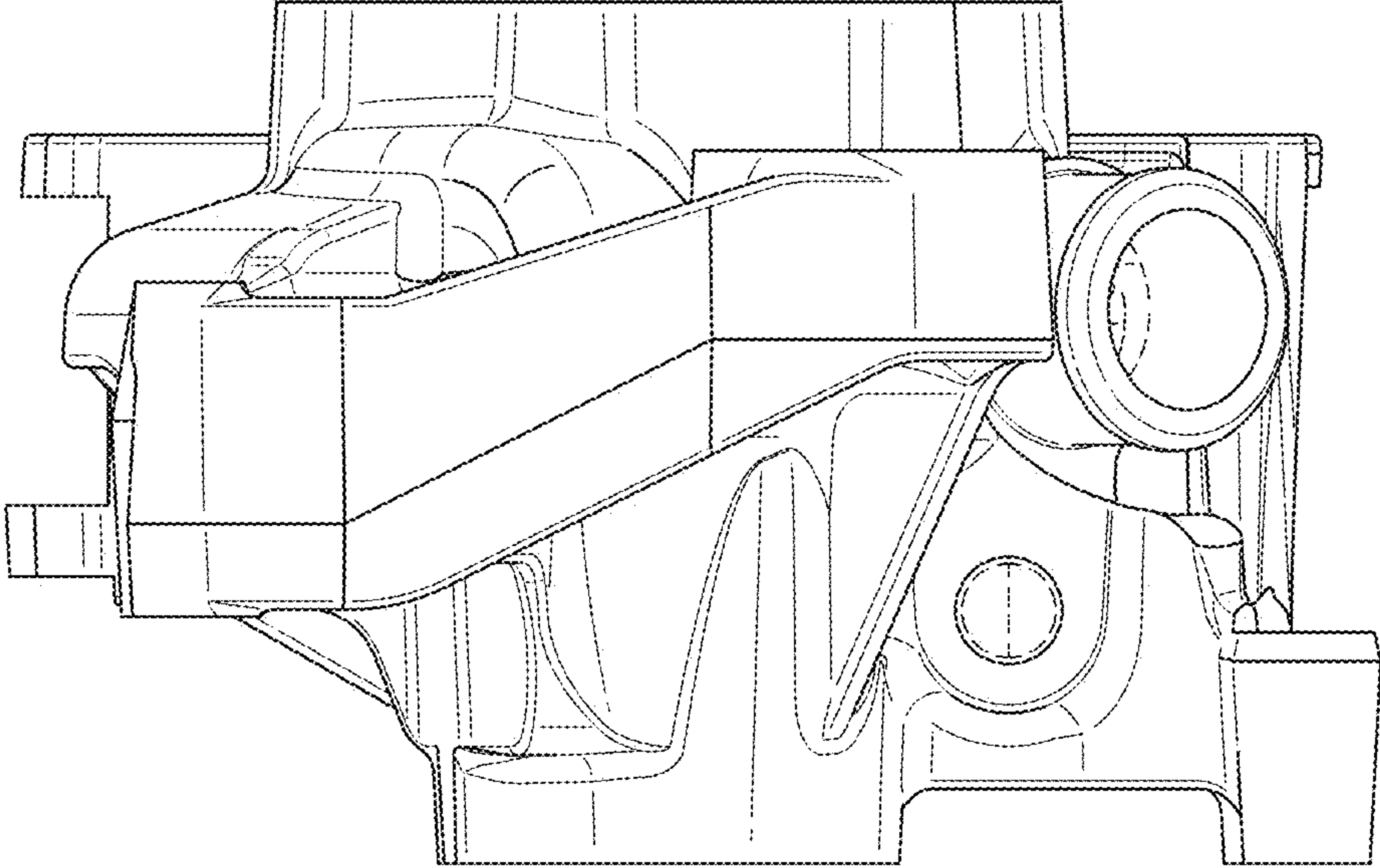


FIG. 12



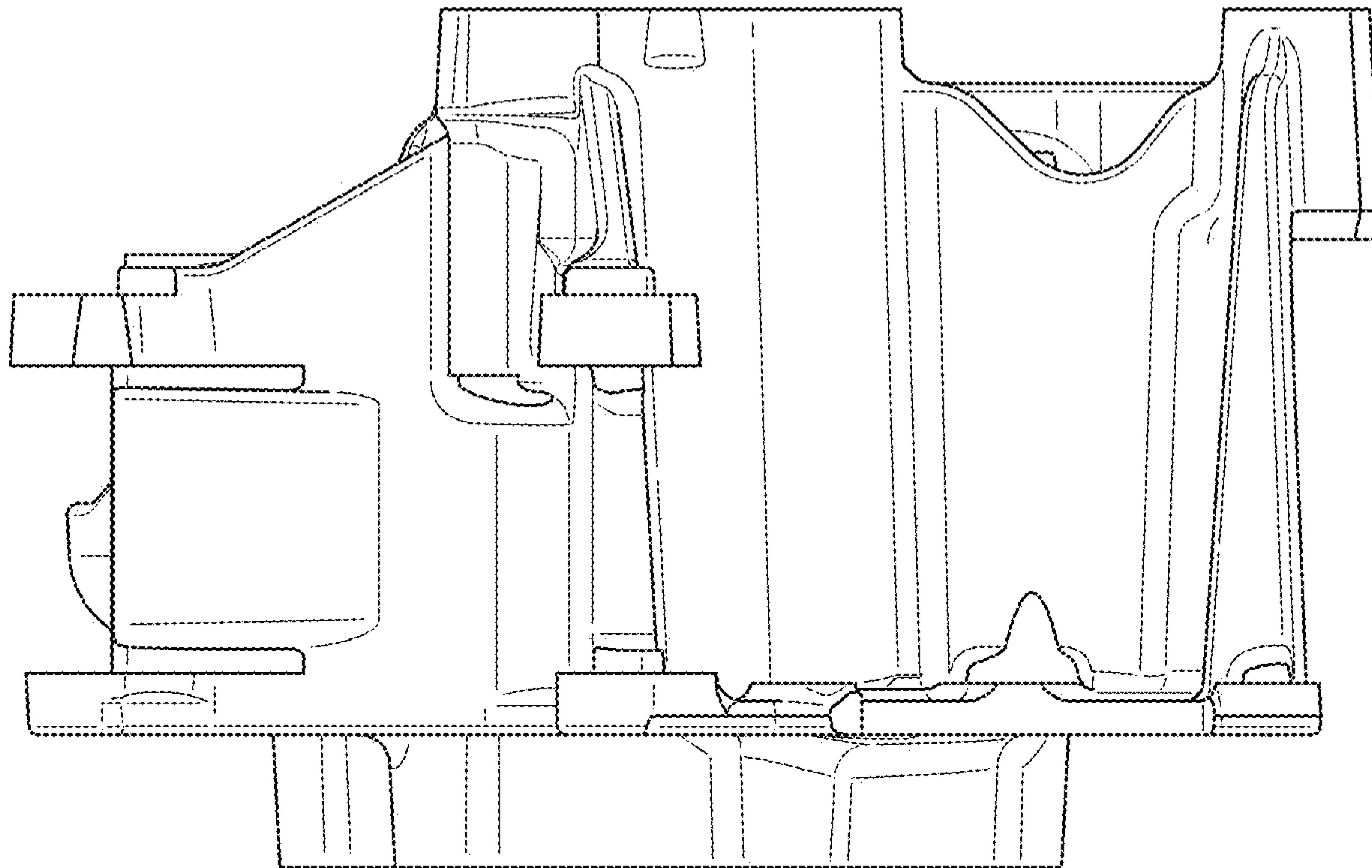


FIG. 13

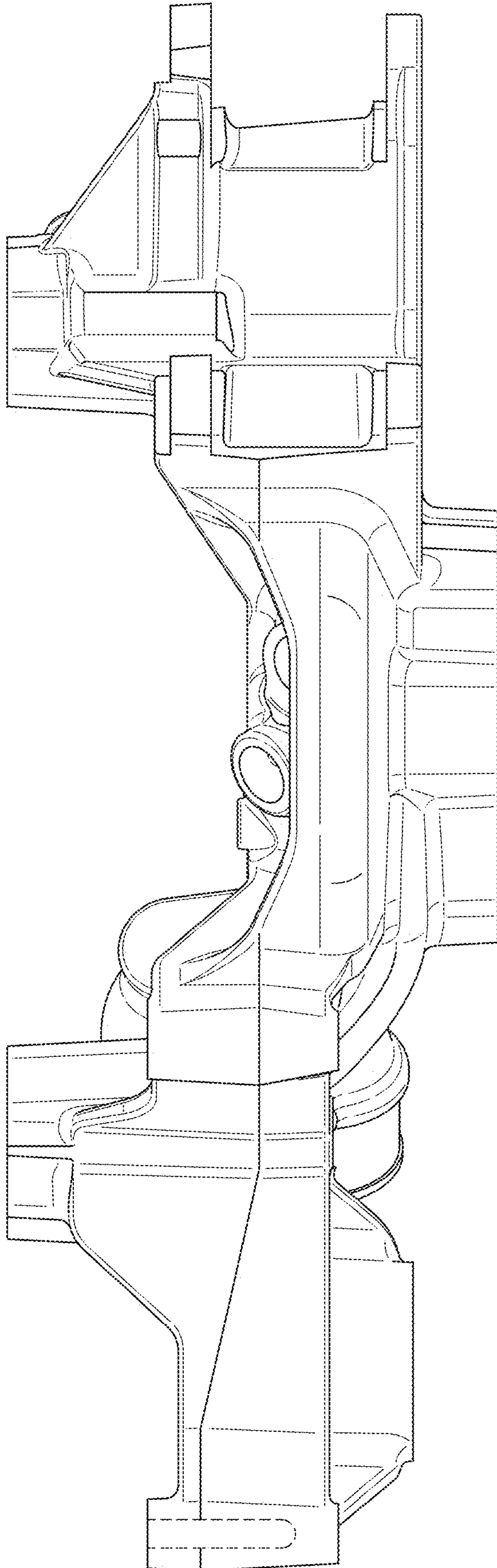


FIG. 14

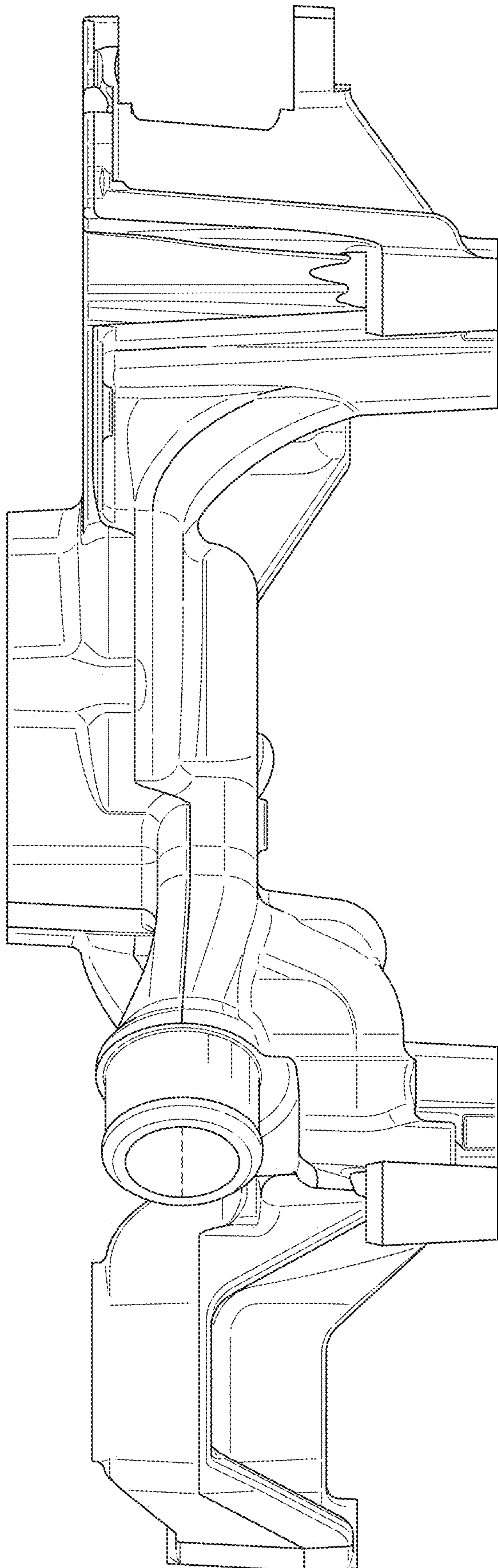


FIG. 15



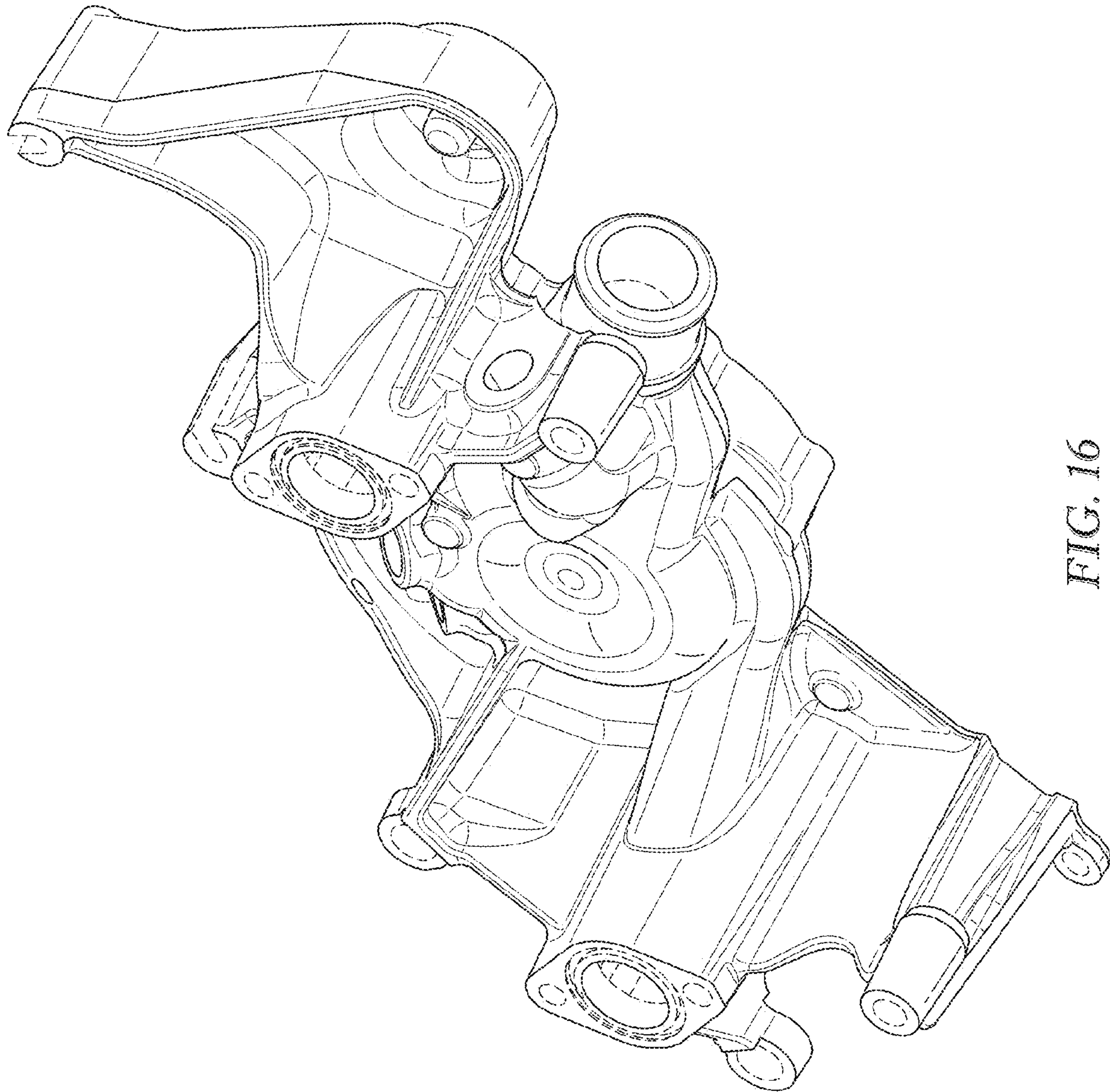


FIG. 16