



US00D908727S

(12) **United States Design Patent**  
**Araki**

(10) **Patent No.:** **US D908,727 S**  
(45) **Date of Patent:** **\*\* Jan. 26, 2021**

(54) **DISPLAY SCREEN WITH ANIMATED GRAPHICAL USER INTERFACE**

(71) Applicant: **THE YOKOHAMA RUBBER CO., LTD.**, Tokyo (JP)

(72) Inventor: **Yasuhiko Araki**, Hiratsuka (JP)

(73) Assignee: **THE YOKOHAMA RUBBER CO., LTD.**, Tokyo (JP)

(\*\*) Term: **15 Years**

(21) Appl. No.: **29/682,641**

(22) Filed: **Mar. 6, 2019**

(30) **Foreign Application Priority Data**

Sep. 6, 2018 (JP) ..... 2018-019471

(51) **LOC (13) Cl.** ..... **14-04**

(52) **U.S. Cl.**  
USPC ..... **D14/486**

(58) **Field of Classification Search**  
USPC ..... D14/485-495; 715/764, 781, 745, 763, 715/771; 700/83

CPC .. G06F 3/0482; G06F 3/0481; G06F 3/04842; G06F 3/04847; G06F 3/0484; G06F 3/0485; G06F 3/0488; G06F 3/04812; G06F 3/04817; G06F 3/04883; G06F 30/15; G06F 16/27; G06F 16/686; G06F 2203/04803; G06Q 10/06; G06Q 10/20; G11B 19/025; H04W 4/70; H04M 1/72566; H04L 67/02; H04L 67/04; H04L 67/306; H04L 41/22; H04N 21/431; B60C 23/007; B60C 23/008; B60C 23/0433; B60C 23/0472

See application file for complete search history.

(56) **References Cited**

**U.S. PATENT DOCUMENTS**

5,741,966 A \* 4/1998 Handfield ..... B60C 23/0401 73/146.5  
6,034,596 A \* 3/2000 Smith ..... B60C 23/009 340/445  
D496,940 S \* 10/2004 Fetterman ..... D14/485

(Continued)

**OTHER PUBLICATIONS**

“Body Builder Instructions—Mack Section 6” Feb. 28, 2018, Macktrucks, site visited Jun. 10, 2020: <https://www.macktrucks.com/-/media/files/body-builder/manuals/mack-section-6.pdf> (Year: 2018).\*

(Continued)

*Primary Examiner* — Jack Reickel

*Assistant Examiner* — Christopher M Spivey

(74) *Attorney, Agent, or Firm* — Banner & Witcoff, Ltd.

(57) **CLAIM**

The ornamental design for a display screen with animated graphical user interface, as shown and described.

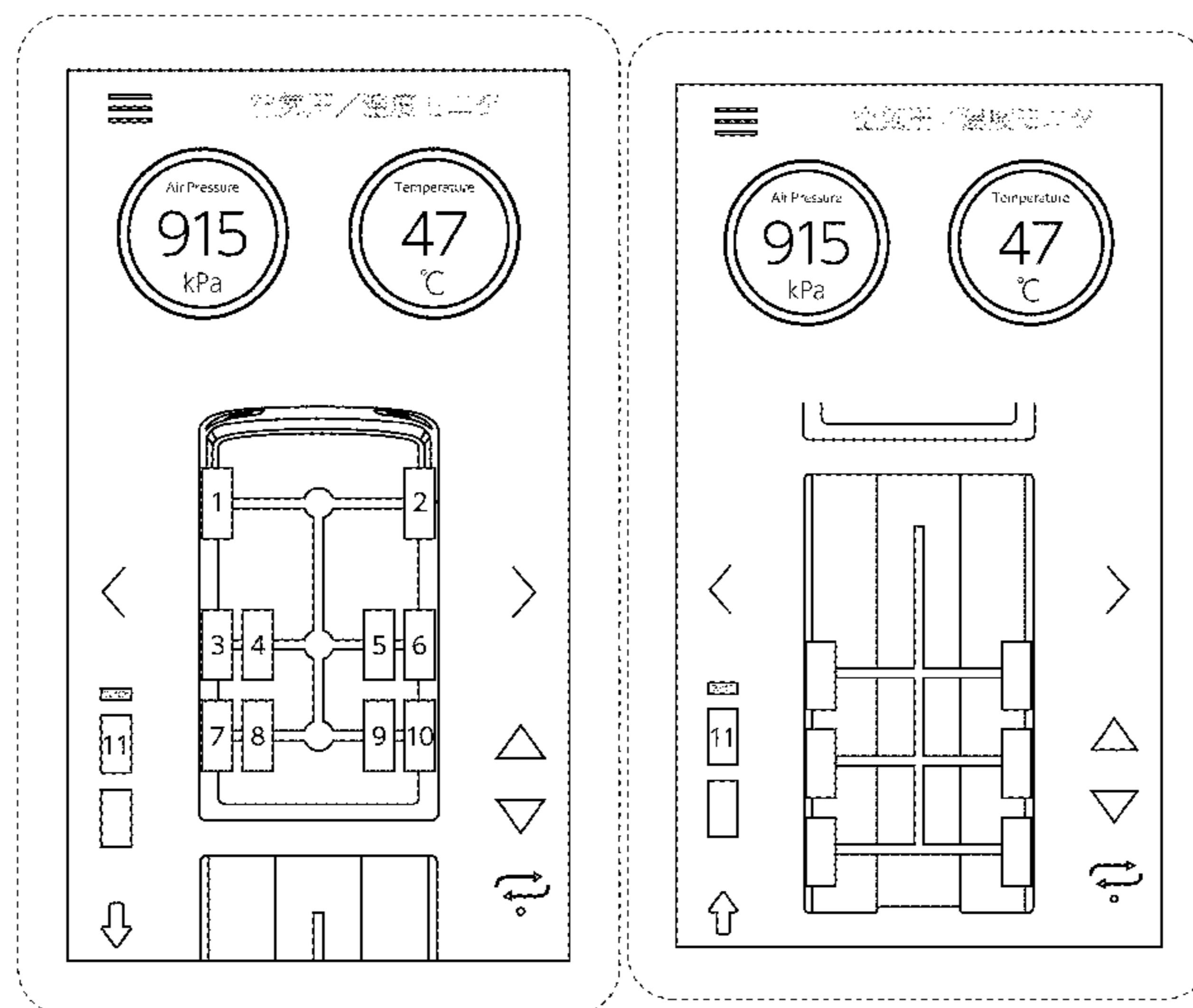
**DESCRIPTION**

FIG. 1 is a front view of a display screen with animated graphical user interface showing my design in a first state; FIG. 2 is a front view of the display screen in a second state; and,

FIG. 3 is a front view of the display screen in a third state. In the drawings, the outermost broken line rectangle showing of the display screen is included for environmental purposes only and forms no part of the claimed design. The broken lines showing Japanese characters form no part of the claimed design.

The appearance of the animated image sequentially transitions between the images shown in FIG. 1, FIG. 2 and FIG. 3. The process or period in which one image transitions to another forms no part of the claimed design.

**1 Claim, 3 Drawing Sheets**



(56)

**References Cited**

U.S. PATENT DOCUMENTS

6,918,289 B2 \* 7/2005 Hayashi ..... B60C 23/0401  
 73/146  
 D589,969 S \* 4/2009 Shibata ..... D14/486  
 7,705,715 B2 \* 4/2010 Hax ..... G01G 23/3728  
 177/141  
 D736,233 S \* 8/2015 Kanenari ..... D14/486  
 9,541,470 B2 \* 1/2017 Petrucelli ..... G01J 5/04  
 D838,737 S \* 1/2019 Martin ..... D14/486  
 D857,708 S \* 8/2019 Brooks ..... D14/485  
 D881,212 S \* 4/2020 McKibbon, III ..... D14/486  
 2007/0194896 A1 \* 8/2007 Ehrlich ..... B60C 23/009  
 340/447  
 2013/0289889 A1 \* 10/2013 Yuen ..... A61B 5/0024  
 702/19

OTHER PUBLICATIONS

“Blue River Fleet Index of Align14” Jul. 1, 2005, Blueriverfleet, site visited Jun. 10, 2020: <http://www.blueriverfleet.com/align/alignm14.gif> (Year: 2005).\*

“Automotive dashboard of the future. Hybrid car. Blue. HUD style” Oct. 16, 2018, Dribbble, site visited Jun. 10, 2020: <https://dribbble.com/shots/5406104-Automotive-dashboard-of-the-future-Hybrid-car-Blue-HUD-style> (Year: 2018).\*

Barrozo, Jharwin, “Tire Pressure Monitoring App” Jun. 15, 2017, Dribbble, site visited Jun. 10, 2020: <https://dribbble.com/shots/3570251-Tire-Pressure-Monitoring-App> (Year: 2017).\*

\* cited by examiner

FIG. 1

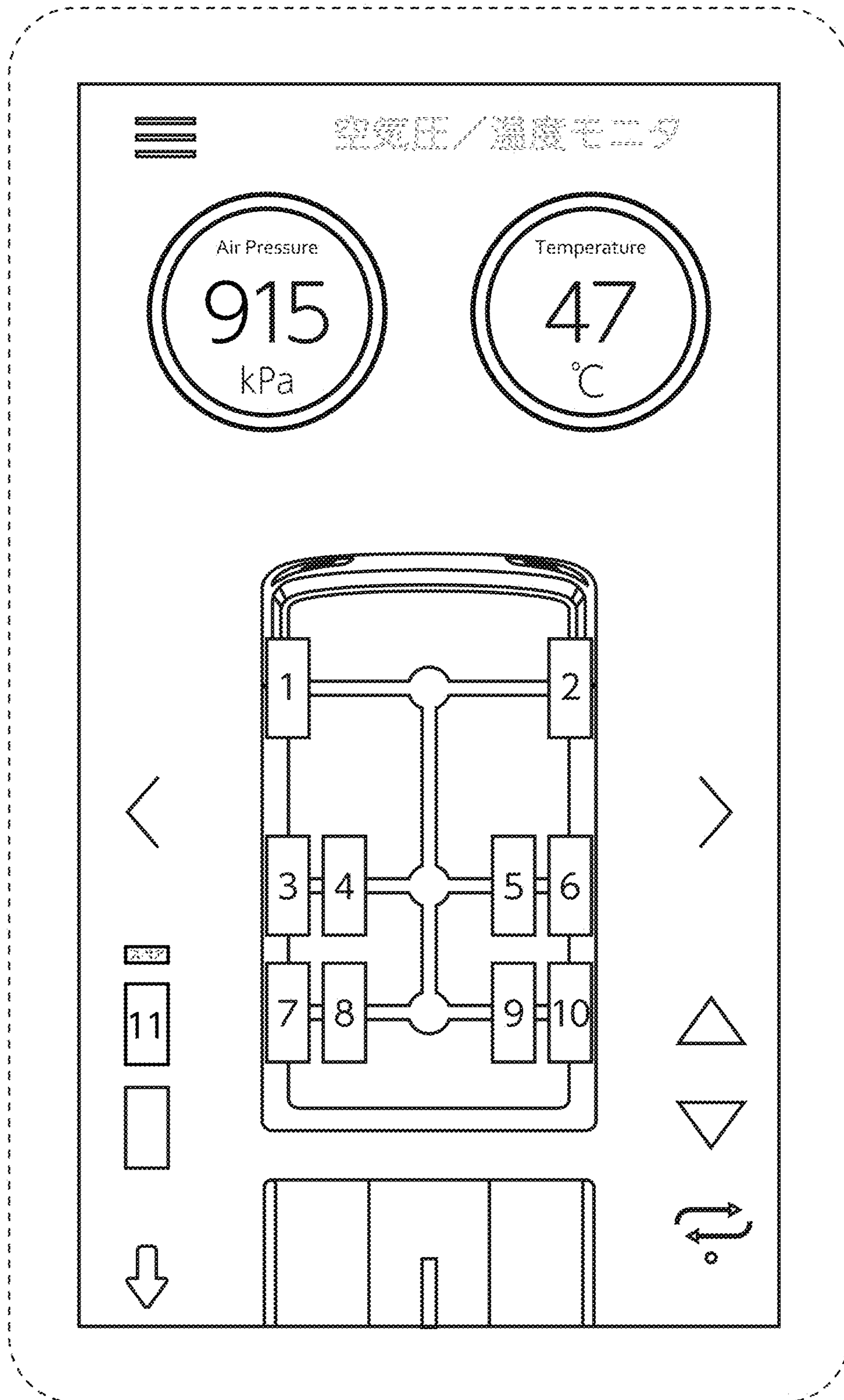


FIG. 2

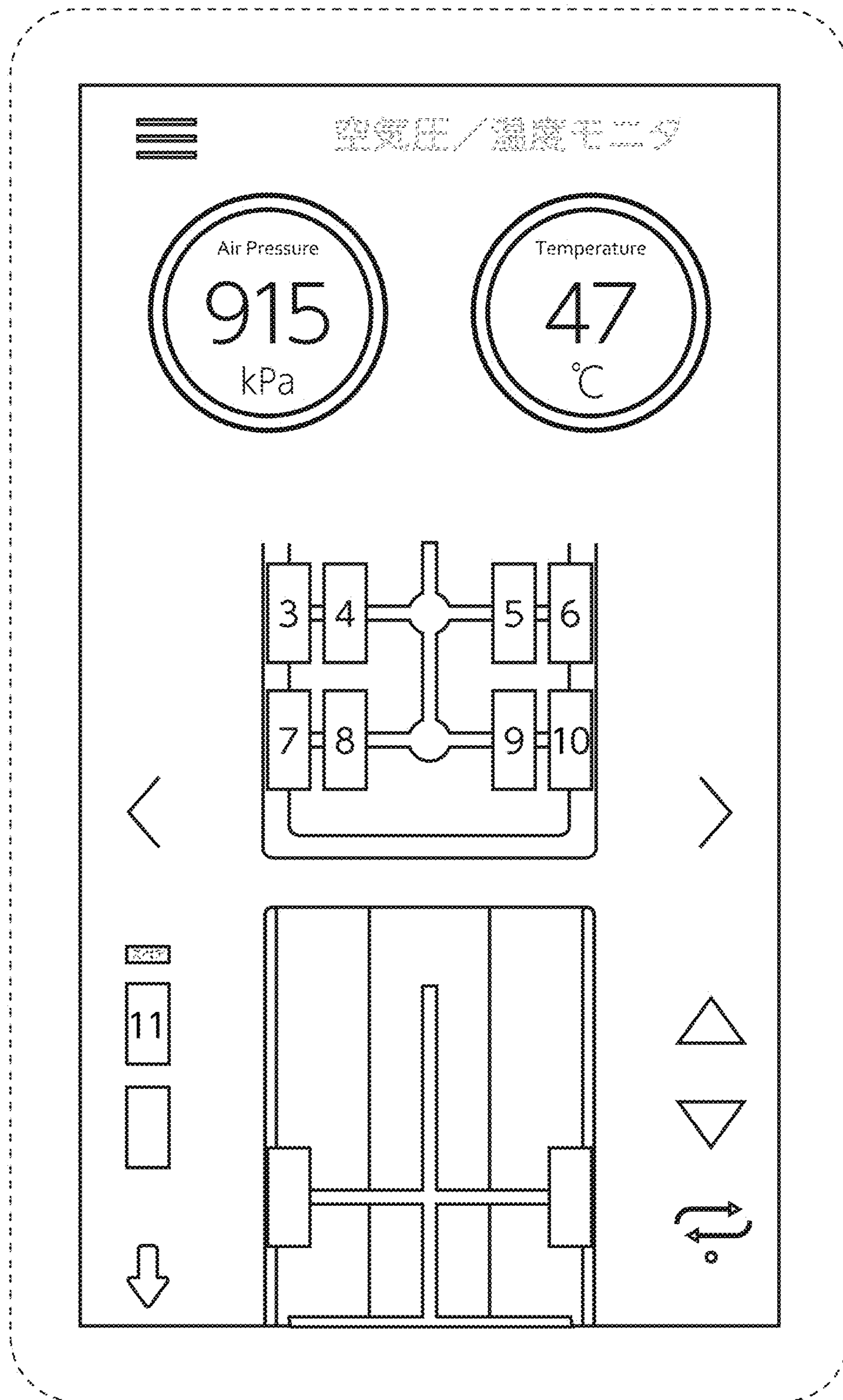


FIG. 3

