



US00D908720S

(12) **United States Design Patent**
Araki

(10) **Patent No.:** **US D908,720 S**
(45) **Date of Patent:** **** Jan. 26, 2021**

(54) **DISPLAY SCREEN WITH GRAPHICAL USER INTERFACE**

(71) Applicant: **THE YOKOHAMA RUBBER CO., LTD.**, Tokyo (JP)

(72) Inventor: **Yasuhiko Araki**, Hiratsuka (JP)

(73) Assignee: **THE YOKOHAMA RUBBER CO., LTD.**, Tokyo (JP)

(**) Term: **15 Years**

(21) Appl. No.: **29/682,624**

(22) Filed: **Mar. 6, 2019**

(30) **Foreign Application Priority Data**

Sep. 6, 2018 (JP) 2018-019471

(51) **LOC (13) Cl.** **14-04**

(52) **U.S. Cl.**
USPC **D14/486**

(58) **Field of Classification Search**
USPC D14/485-495; 715/764, 781, 745, 763,
715/771; 700/83

CPC .. G06F 3/0482; G06F 3/0481; G06F 3/04842;
G06F 3/04847; G06F 3/0484; G06F
3/0485; G06F 3/0488; G06F 3/04812;
G06F 3/04817; G06F 3/04883; G06F
30/15; G06F 16/27; G06F 16/686; G06F
2203/04803; G06Q 10/06; G06Q 10/20;
G11B 19/025; H04W 4/70; H04M
1/72566; H04L 67/02; H04L 67/04; H04L
67/306; H04L 41/22; H04N 21/431;
B60C 23/007; B60C 23/008; B60C
23/0433; B60C 23/0472

See application file for complete search history.

(56) **References Cited**

U.S. PATENT DOCUMENTS

5,741,966 A * 4/1998 Handfield B60C 23/0401
73/146.5
6,034,596 A * 3/2000 Smith B60C 23/009
340/445

D496,940 S * 10/2004 Fetterman D14/485
6,918,289 B2 * 7/2005 Hayashi B60C 23/0401
73/146
D589,969 S * 4/2009 Shibata D14/486
7,705,715 B2 * 4/2010 Hax G01G 23/3728
177/141
D736,233 S * 8/2015 Kanenari D14/486
9,541,470 B2 * 1/2017 Petrucelli G01J 5/04
D838,737 S * 1/2019 Martin D14/486
D857,708 S * 8/2019 Brooks D14/485

(Continued)

OTHER PUBLICATIONS

“Body Builder Instructions—Mack Section 6” Feb. 28, 2018, Macktrucks, site visited Jun. 10, 2020: <https://www.macktrucks.com/-/media/files/body-builder/manuals/mack-section-6.pdf> (Year: 2018).*

(Continued)

Primary Examiner — Jack Reickel

Assistant Examiner — Christopher M Spivey

(74) *Attorney, Agent, or Firm* — Banner & Witcoff, Ltd.

(57) **CLAIM**

The ornamental design for a display screen with graphical user interface, as shown and described.

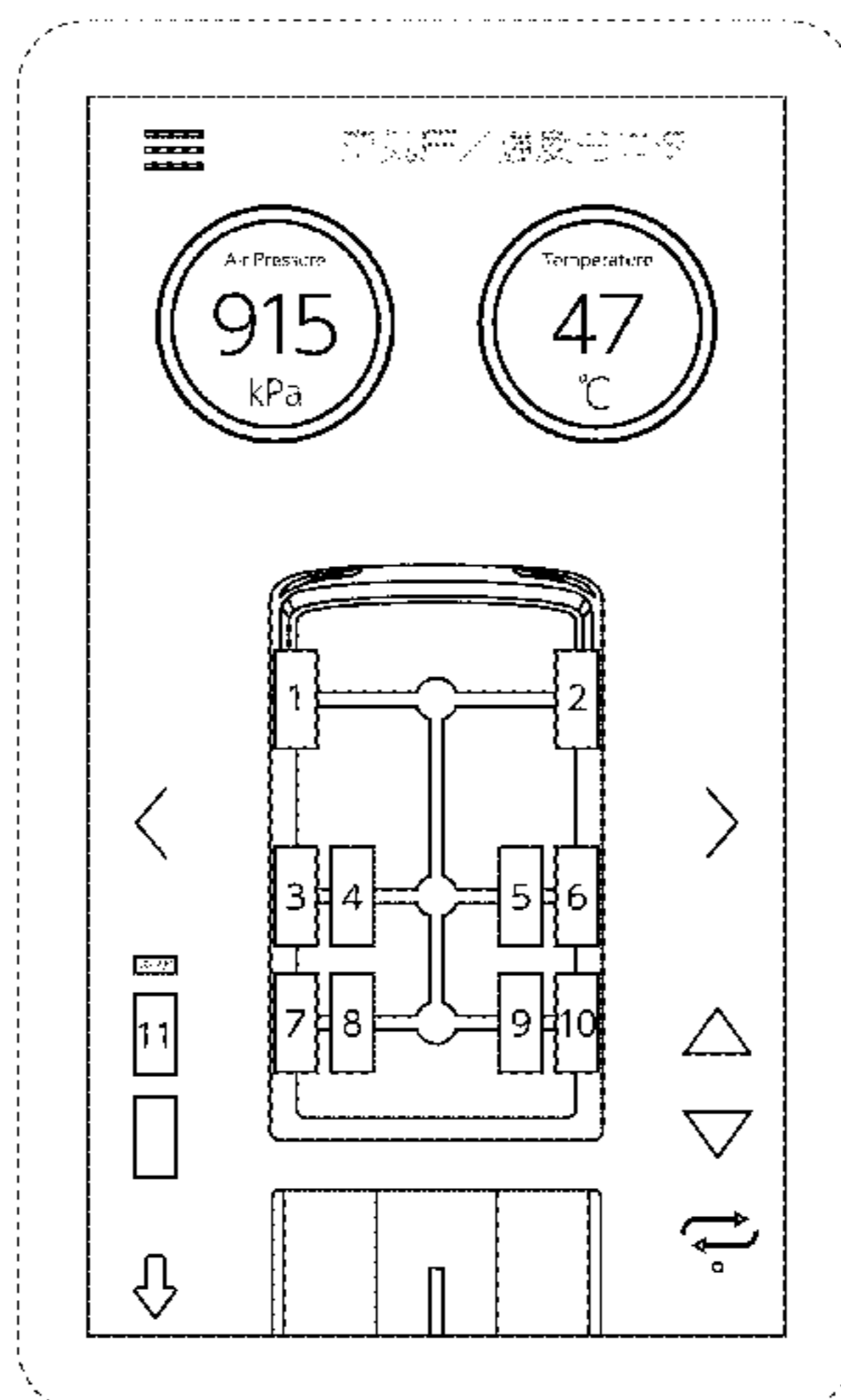
DESCRIPTION

The FIGURE is a front view of a display screen with graphical user interface showing my design.

In the drawings, the outermost broken line rectangle showing of the display screen is included for environmental purposes and forms no part of the claimed design.

The broken lines showing Japanese characters form no part of the claimed design.

1 Claim, 1 Drawing Sheet



(56)

References Cited

U.S. PATENT DOCUMENTS

D881,212 S * 4/2020 McKibbon, III D14/486
2007/0194896 A1 * 8/2007 Ehrlich B60C 23/009
340/447
2013/0289889 A1 * 10/2013 Yuen A61B 5/0024
702/19

OTHER PUBLICATIONS

“Blue River Fleet Index of Align14” Jul. 1, 2005, Blueriverfleet, site visited Jun. 10, 2020: <http://www.blueriverfleet.com/align/alignm14.gif> (Year: 2005).*

“Automotive dashboard of the future. Hybrid car. Blue. HUD style” Oct. 16, 2018, Dribbble, site visited Jun. 10, 2020: <https://dribbble.com/shots/5406104-Automotive-dashboard-of-the-future-Hybrid-car-Blue-HUD-style> (Year: 2018).*

Barrozo, Jharwin, “Tire Pressure Monitoring App” Jun. 15, 2017, Dribbble, site visited Jun. 10, 2020: <https://dribbble.com/shots/3570251-Tire-Pressure-Monitoring-App> (Year: 2017).*

* cited by examiner

