



US00D908709S

(12) **United States Design Patent**
Fine et al.

(10) **Patent No.:** **US D908,709 S**
(45) **Date of Patent:** **** Jan. 26, 2021**

(54) **HOLDER FOR A PORTABLE ELECTRONIC DEVICE**

Primary Examiner — Angela J Lee
(74) *Attorney, Agent, or Firm* — Brion Raffoul

(71) Applicants: **Seth Fine**, Plantation, FL (US);
Michael Furshman, Park City, UT (US)

(57) **CLAIM**

(72) Inventors: **Seth Fine**, Plantation, FL (US);
Michael Furshman, Park City, UT (US)

The ornamental design for a holder for a portable electronic device, design as shown and described.

(**) Term: **15 Years**

DESCRIPTION

(21) Appl. No.: **29/705,177**

(22) Filed: **Sep. 10, 2019**

(51) **LOC (13) Cl.** **08-07**

(52) **U.S. Cl.**
USPC **D14/447**

(58) **Field of Classification Search**
USPC D14/447, 432, 434, 439, 440, 451, 452,
D14/457, 239, 253; D8/363, 373, 380;
D6/406.3, 406.4, 406.5, 406.6; D12/415
(Continued)

FIG. 1 is a perspective view of a holder for a portable electronic device showing the subject design;
FIG. 2 is a top view of the holder for a portable electronic device shown in FIG. 1;
FIG. 3 is a bottom view of the holder for a portable electronic device shown in FIG. 1;
FIG. 4 is a front view of the holder for a portable electronic device shown in FIG. 1;
FIG. 5 is a rear view of the holder for a portable electronic device shown in FIG. 1;
FIG. 6 is a left side view of the holder for a portable electronic device shown in FIG. 1;
FIG. 7 is a right side view of the holder for a portable electronic device shown in FIG. 1;
FIG. 8 is a perspective environmental view of the holder for a portable electronic device shown in FIG. 1 in use with a portable electronic device;
FIG. 9 is a right side environmental view of the holder for a portable electronic device shown in FIG. 1 in use with a portable electronic device;
FIG. 10 is a right side view of the holder for a portable electronic device shown in FIG. 1 in an alternative position; and,
FIG. 11 is an exploded perspective view of the holder for a portable electronic device shown in FIG. 1.
The features shown in broken lines in the figures is for the purpose of illustrating the holder for a portable electronic device only and form no part of the claimed design.

(56) **References Cited**

U.S. PATENT DOCUMENTS

D297,335 S * 8/1988 Atwell D19/86
D318,608 S * 7/1991 Schenker D8/382
(Continued)

FOREIGN PATENT DOCUMENTS

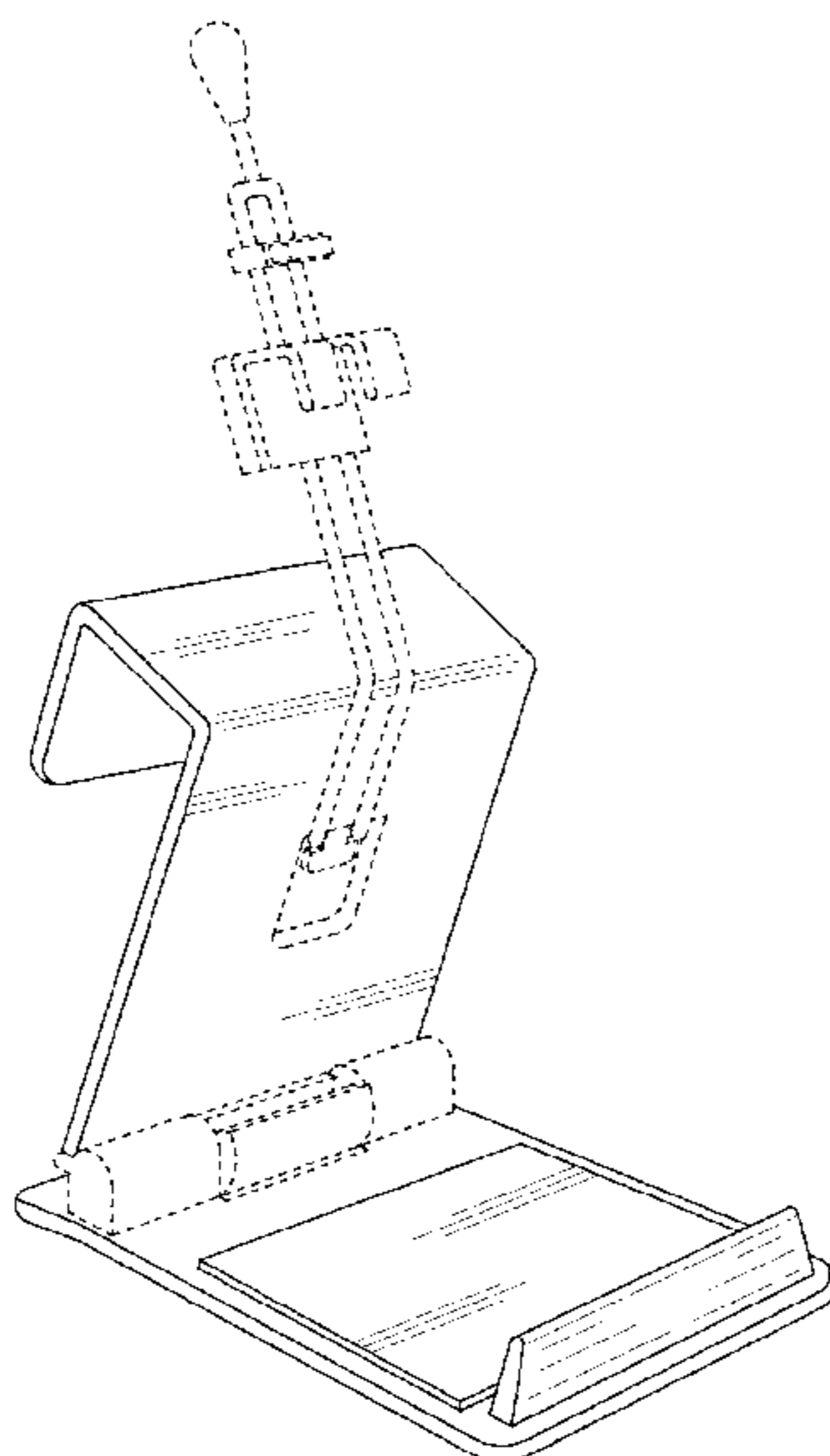
CN 105644457 A 6/2016
CN 105799603 A 7/2016
(Continued)

OTHER PUBLICATIONS

“Tablethookz—Create Your Own In-Flight Seatback Entertainment”. Tablethookz, 2018, <https://tablethookz.com/>. Accessed May 15, 2018, 4 pages.

(Continued)

1 Claim, 9 Drawing Sheets



- (58) **Field of Classification Search**
 CPC A47B 21/04; A47B 2097/006; A47B
 2097/005; A47B 2023/049; A45C
 2011/002; A45C 2011/003; F16M
 2200/00; F16M 13/00
 See application file for complete search history.

(56) **References Cited**

U.S. PATENT DOCUMENTS

D376,972	S	*	12/1996	Zissu	D8/354
6,418,010	B1		7/2002	Sawyer		
7,561,415	B2		7/2009	Liou		
D722,064	S	*	2/2015	Zwerner	D14/447
9,167,706	B2		10/2015	Holmstrom		
D752,595	S	*	3/2016	Heckler	D14/447
D754,135	S	*	4/2016	Cromack	D14/447
D754,668	S	*	4/2016	Manabe	D14/447
D779,478	S	*	2/2017	Justiss	D14/253
D787,521	S	*	5/2017	Chen	D14/447
D835,626	S	*	12/2018	Mir Martos	D14/447
D842,305	S	*	3/2019	Gao	D14/447
D847,142	S		4/2019	Furshman		
D853,377	S	*	7/2019	Crandon	D14/253
D880,486	S	*	4/2020	Moore	D14/447
2002/0125386	A1		9/2002	Pook		
2003/0213646	A1		11/2003	Gallion		
2011/0278885	A1		11/2011	Procter		
2012/0138494	A1		6/2012	Thomas		
2014/0048662	A1		2/2014	Ferris		
2015/0052854	A1		2/2015	Diebel		
2015/0108798	A1		4/2015	Boyer, Jr.		
2016/0039349	A1		2/2016	Casagrande		
2016/0257404	A1		9/2016	Ferris		
2017/0088265	A1		3/2017	Brick		
2017/0237843	A1		8/2017	Ackeret		
2017/0349200	A1		12/2017	Winton		
2018/0111690	A1		4/2018	Zheng		

FOREIGN PATENT DOCUMENTS

CN	106627402	A	5/2017
DE	10 2011 075 621	A1	11/2011
GB	2502948	A	12/2013
GB	2535259	B	2/2017
KR	10-2017-0067613	A	6/2017
WO	2012/138699	A1	10/2012
WO	2016198828	A1	12/2016

OTHER PUBLICATIONS

“Touch Screen For Raspberry Pi 3 Kit,Quimat 3.5 Inch 320x480 Resolution TFT LCD Display With Protective Case For Raspberry

Pi 2 Model B, Pi 2 Model B & Pi Model B With Protective Case—Clickymicky”. Clickymicky.Com, 2018, <http://clickymicky.com/touch-screen-for-raspberry-pi-3-kitquimat-3-5-inch-320x480-resolution-tft-lcd-display-with-protective-case-for-raspberry-pi-3-model-b-pi-2-model-b-pi-model-b-with-protective-case/>. Accessed May 15, 2018, 24 pages.

“Skomet Multi-Angle Adjustable Phone Stand (Red)”. English, 2018, <http://store.cavaraty.com/skomet-multi-angle-adjustable-phone-stand-red.html>. Accessed May 15, 2018, 2 pages.

“\$2.41 Adjustable Multi-Angle Holder Stand For Cellphones / Tablet Pcs—Foldable / 5-Position / Black At Fasttech—Worldwide Free Shipping”. Fasttech—Cool Gadgets and Electronics, 2018, <https://www.fasttech.com/product/2318303-adjustable-multi-angle-holder-stand-for>. Accessed May 15, 2018, 2 pages.

“ASZUNE Foldable Multi-Angle Phone Stand Desk Portable Lazy Holder Mount For Samsung Xiaomi Tablet”. Www.Banggood.com, 2018, https://www.banggood.com/ASZUNE-Foldable-Multi-angle-Phone-Stand-Desk-Portable-Lazy-Holder-Mount-for-Samsung-Xiaomi-Tablet-p-1153560.html?cur_warehouse=CN. Accessed May 15, 2018, 9 pages.

Amazon.com, 2018, <https://www.amazon.com/Digital-Tablet-Travel-Airplane-Blue/dp/B00I29UXLW>. Accessed May 15, 2018, 7 pages.

“The Airhook—Campers Village”. Campers-Village.Com, 2018, <http://www.campers-village.com/brand/The-Airhook/>. Accessed May 15, 2018, 2 pages.

Amazon.com, 2018, <https://www.amazon.com/Clamp-Champion-Pro-Universal-Smartphone/dp/B00P1HU2WI>. Accessed May 15, 2018, 8 pages.

“Arctic Flight—Let Your Ipad Fly!”. Kickstarter, 2018, <https://www.kickstarter.com/projects/501583891/arctic-flight-let-your-ipad-fly>. Accessed May 15, 2018, 9 pages.

“Hate Cramped Airplanes? The Airhook Holds Your Tablet And A Drink”. Digital Trends, 2018, <https://www.digitaltrends.com/mobile/hate-cramped-airplanes-the-airhook-holds-your-tablet-and-a-drink/>. Accessed May 15, 2018, 7 pages.

“23 Gadgets That Promise To Make Flying Better”. The Telegraph, 2018, <https://www.telegraph.co.uk/travel/galleries/essential-gadgets-to-make-air-travel-better/airhook/>. Accessed May 15, 2018, 11 pages.

Amazon.com, 2018, <https://www.amazon.com/Lockjaww-Flight-Device-Android-Tabletsidp/B01DFMECBC>. Accessed May 15, 2018, 9 pages.

“Iphone Hook For Airplanes By Jgrout”. Makerbot, 2018, <https://www.makerbot.com/media-center/2011/05/03/iphone-hook-for-airplanes-by-jgrout>. Accessed May 15, 2018, 2 pages.

ISR and Written Opinion issued on Jun. 7, 2019 for PCT International Application No. PCT/US19/36034, 99 pages.

* cited by examiner

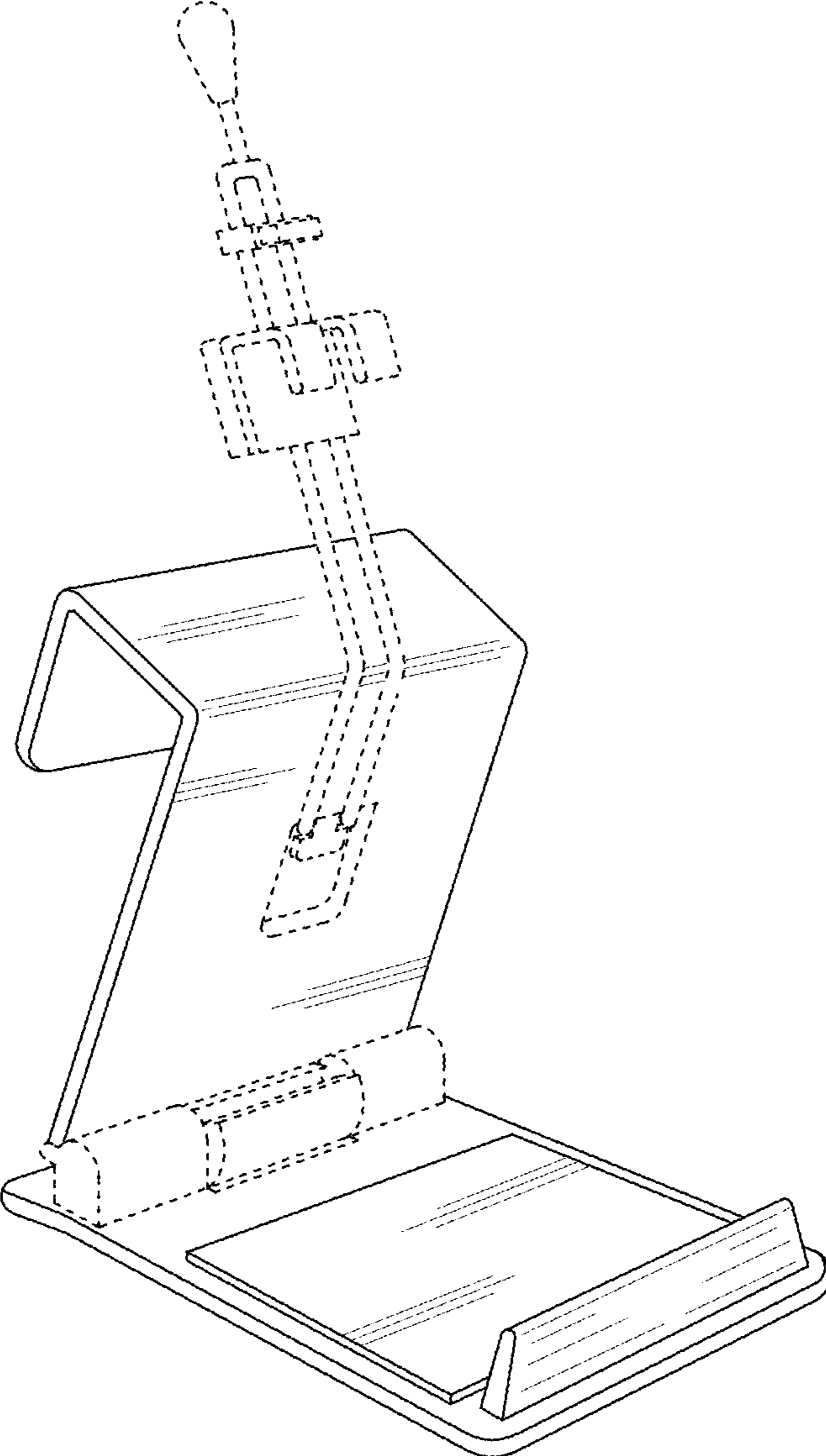


FIG. 1

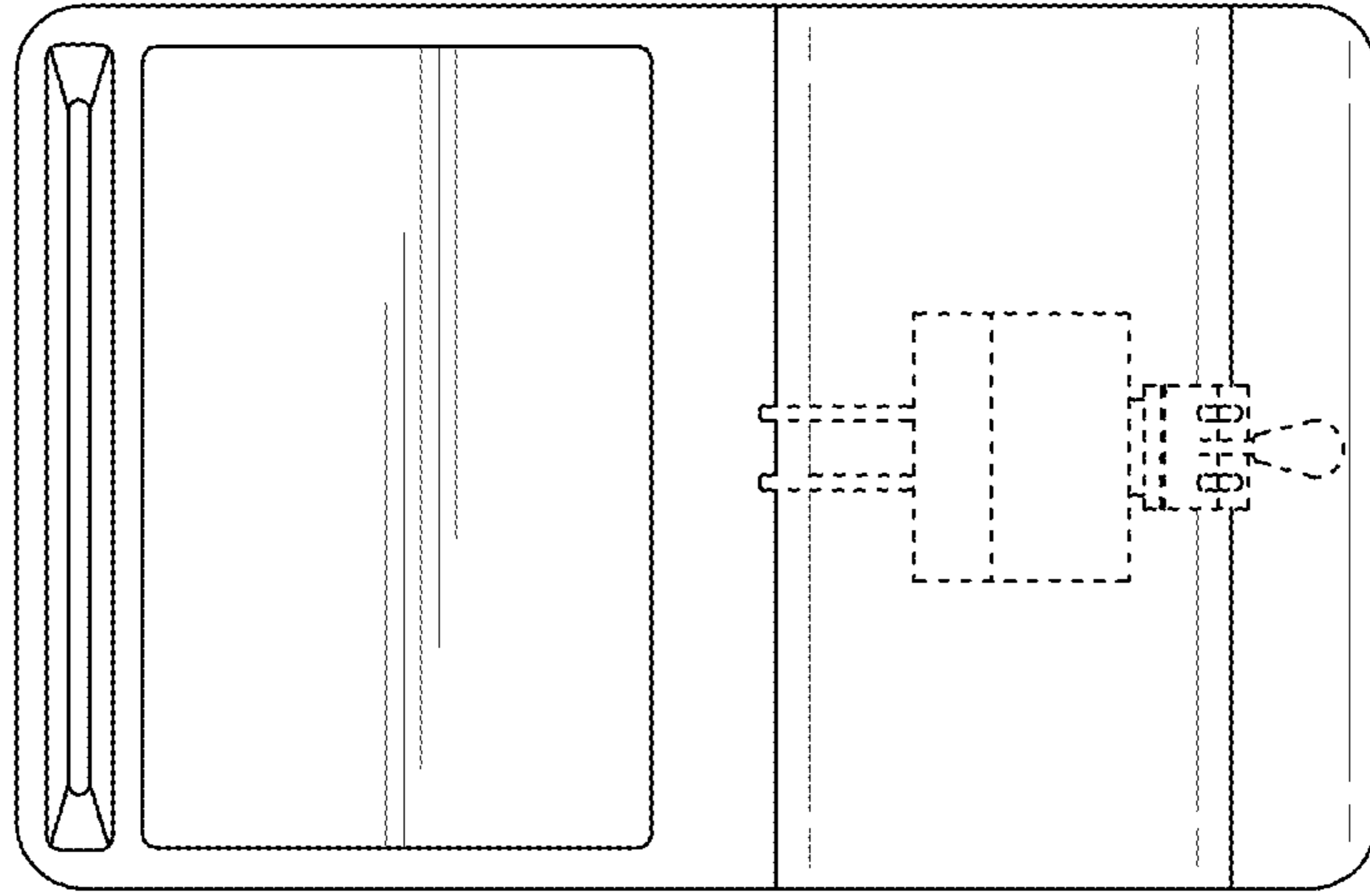


FIG. 2

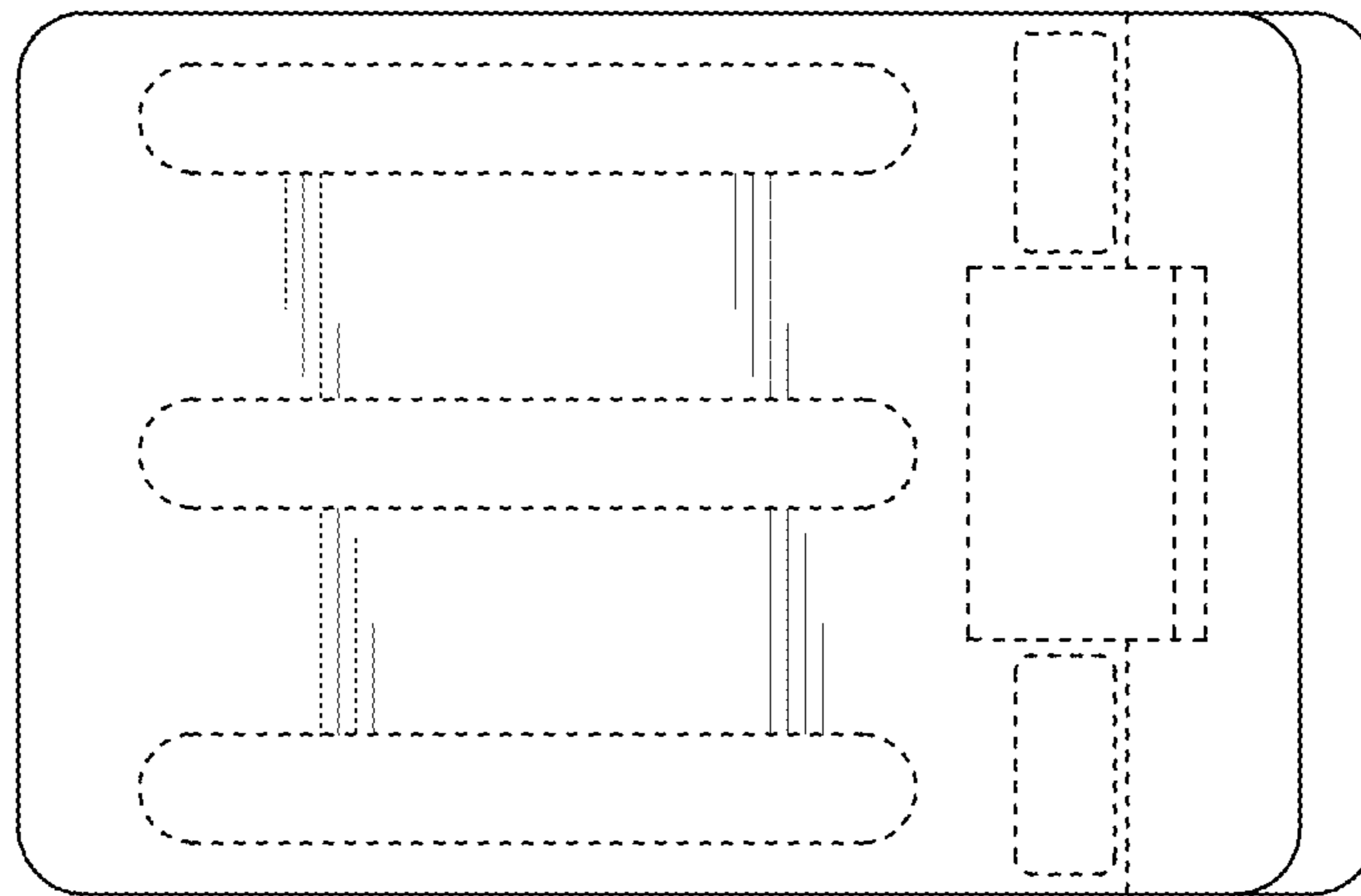


FIG. 3

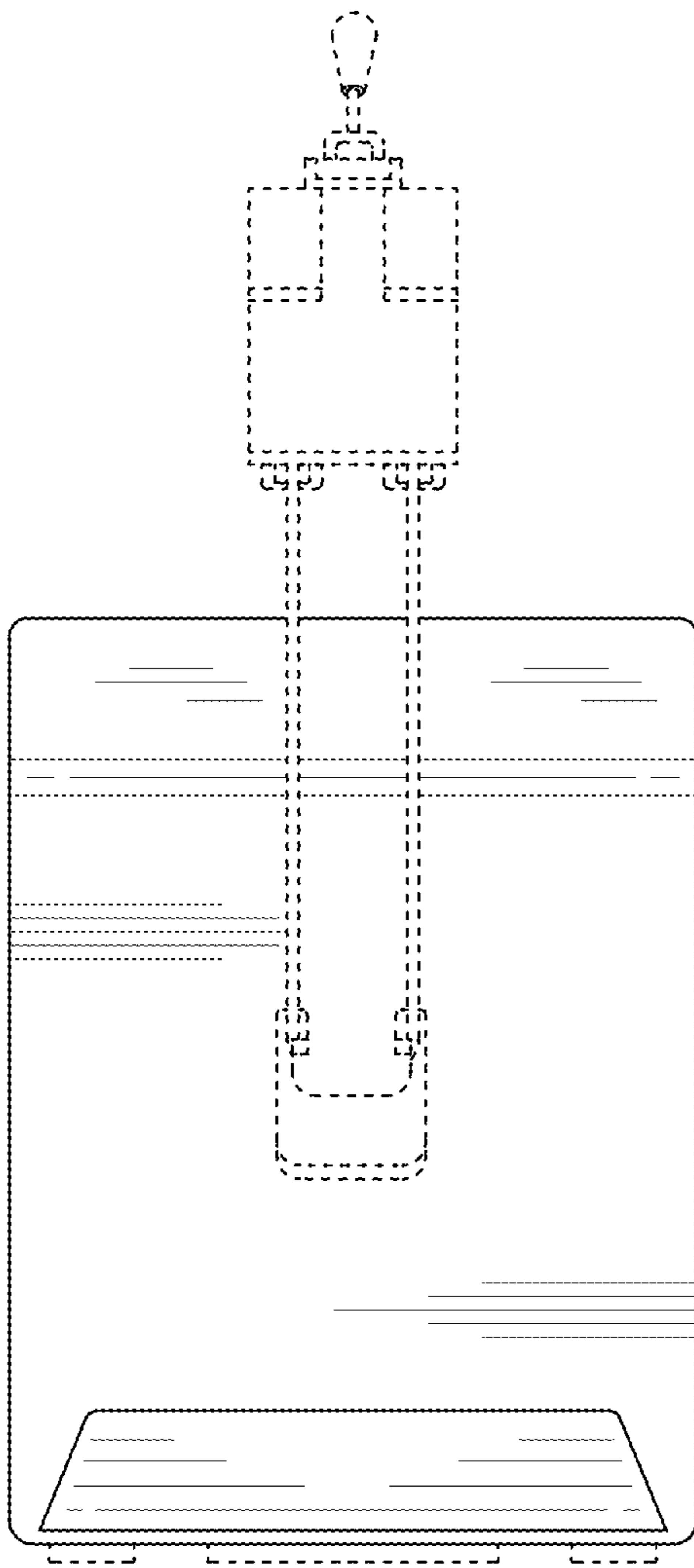


FIG. 4

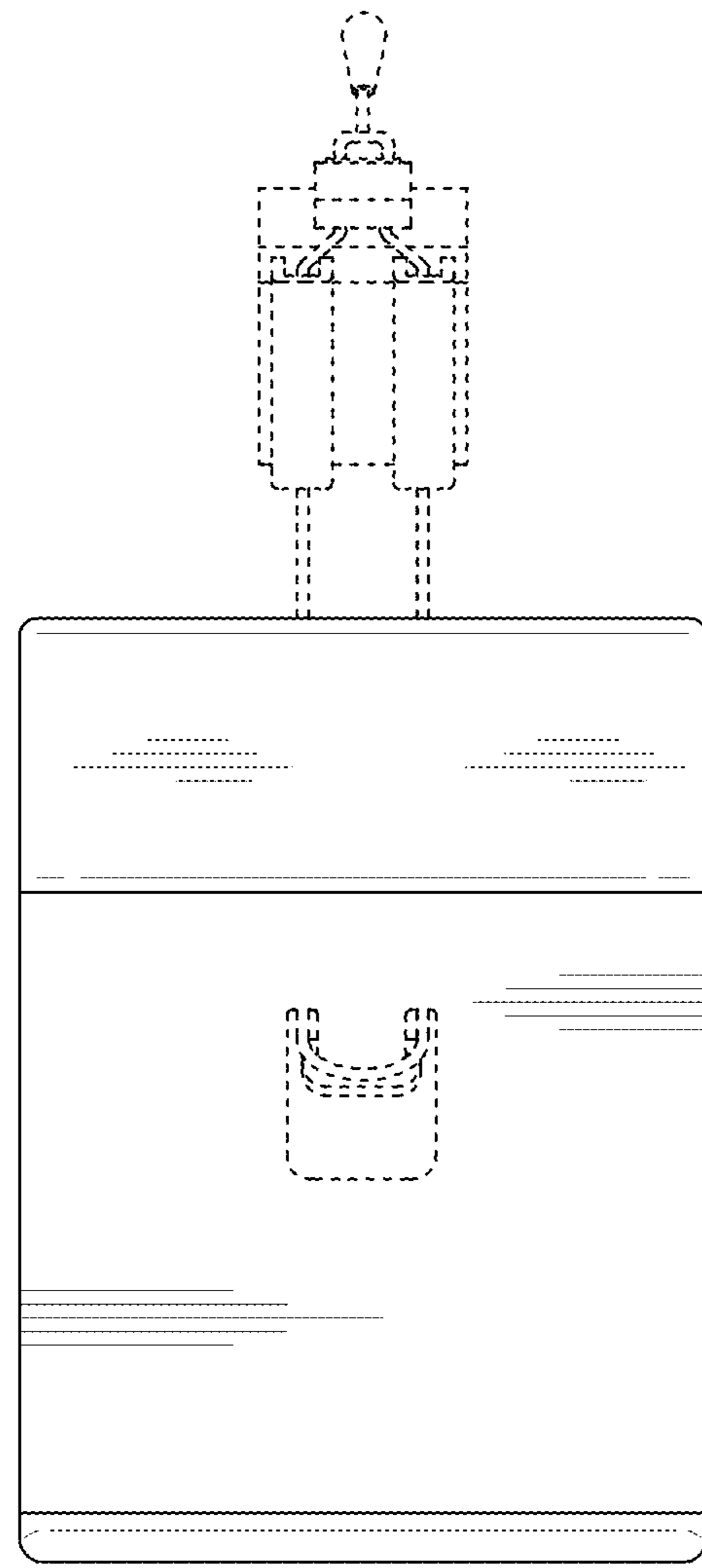


FIG. 5

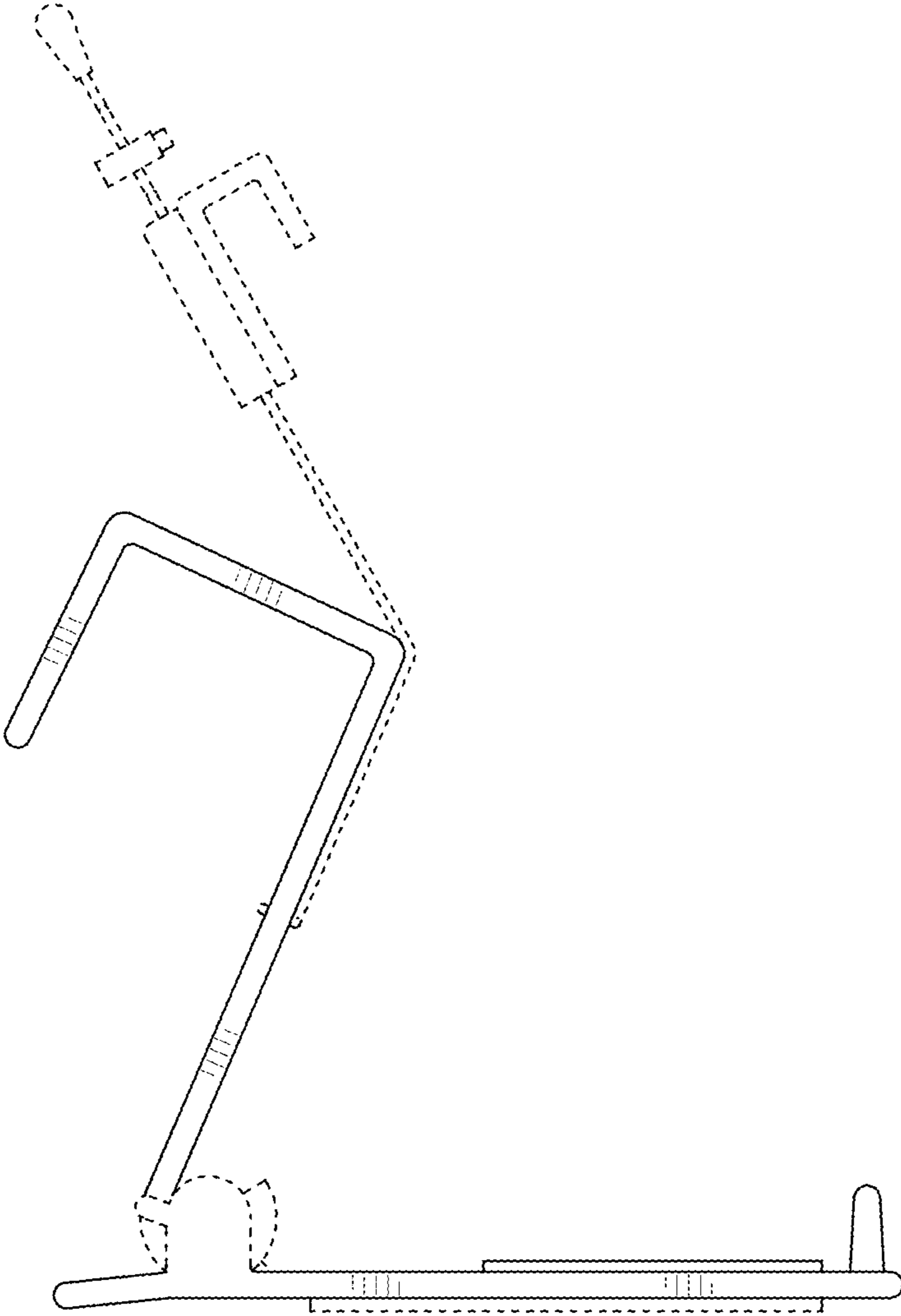


FIG. 6

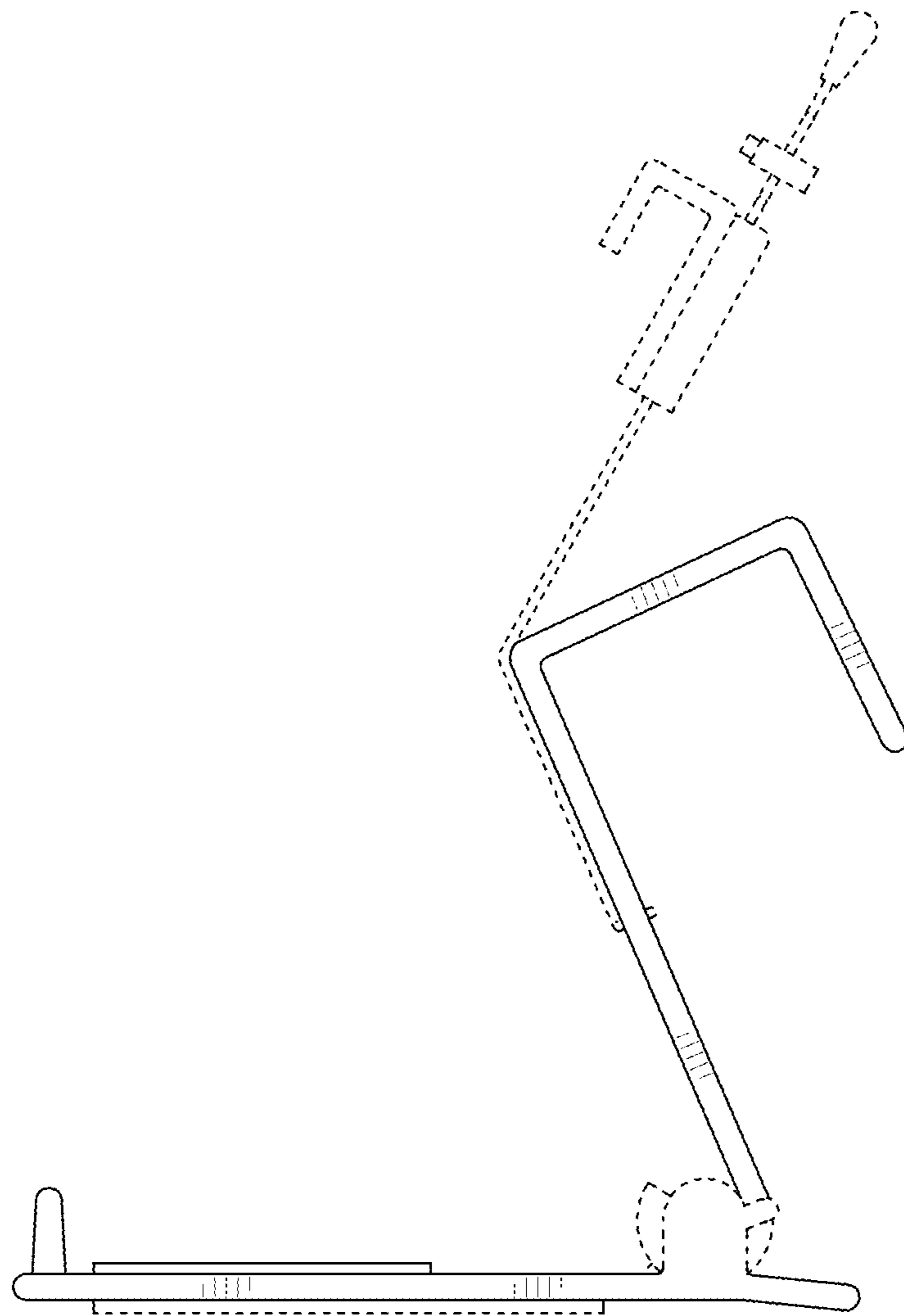


FIG. 7

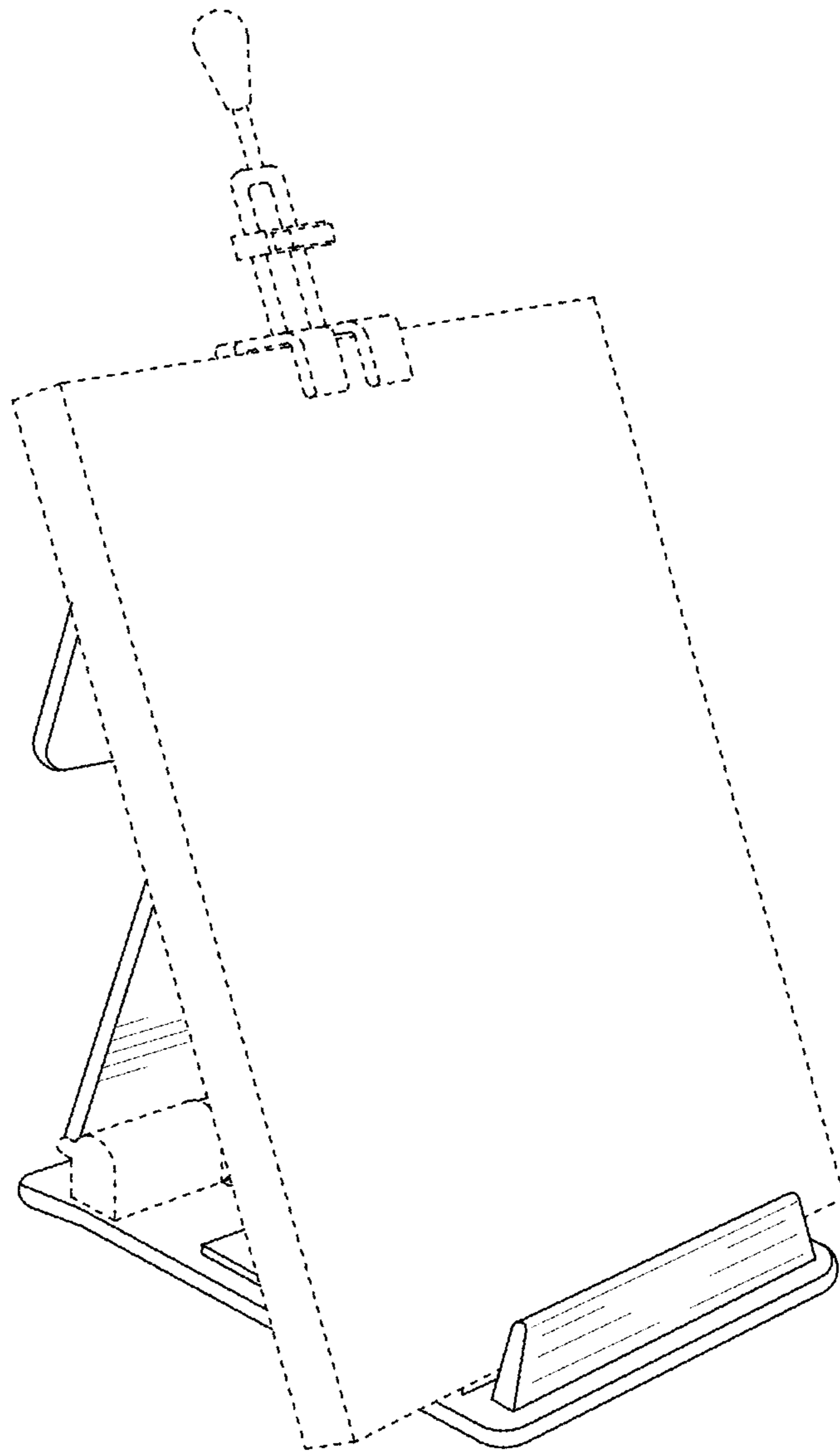


FIG. 8

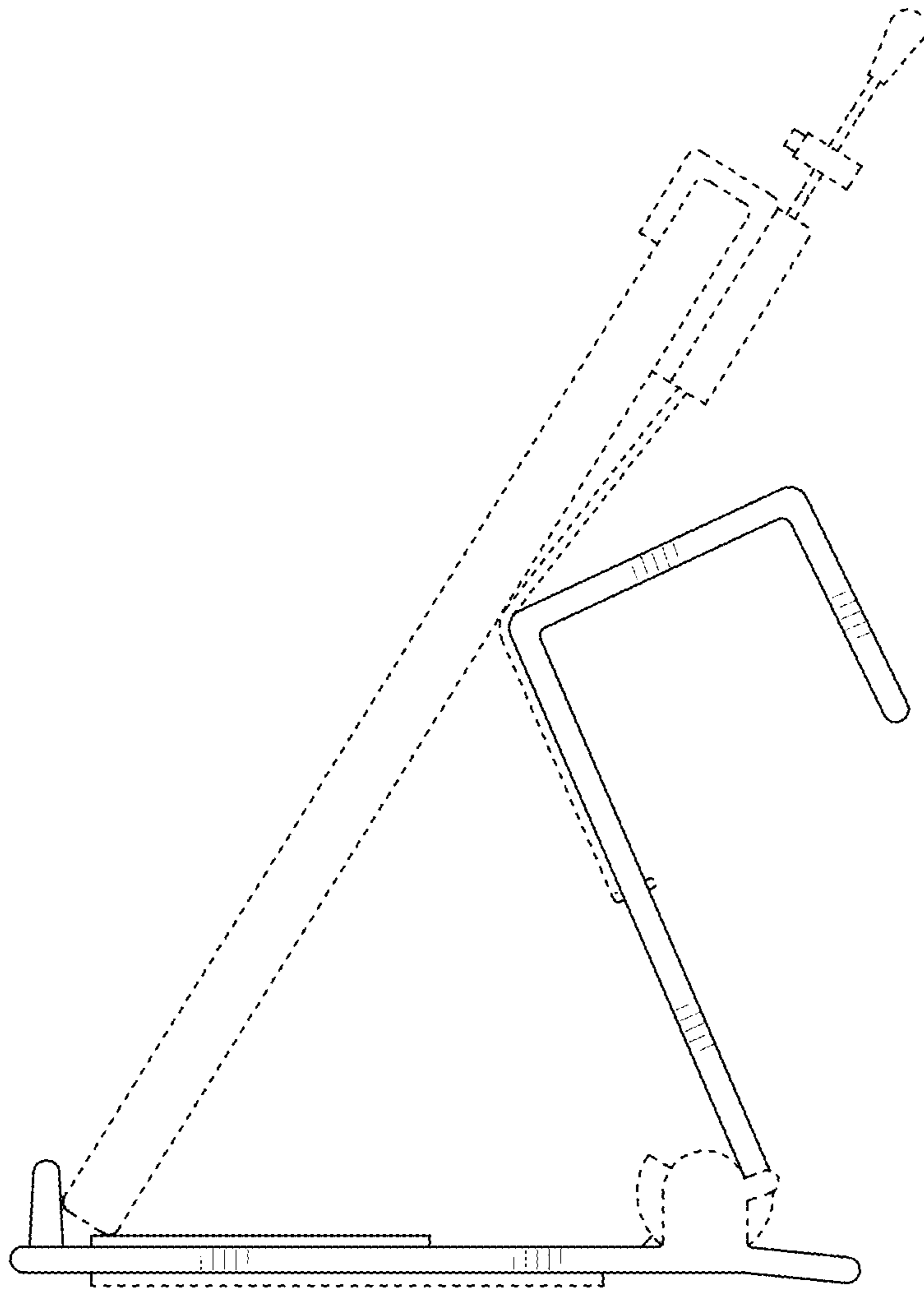


FIG. 9

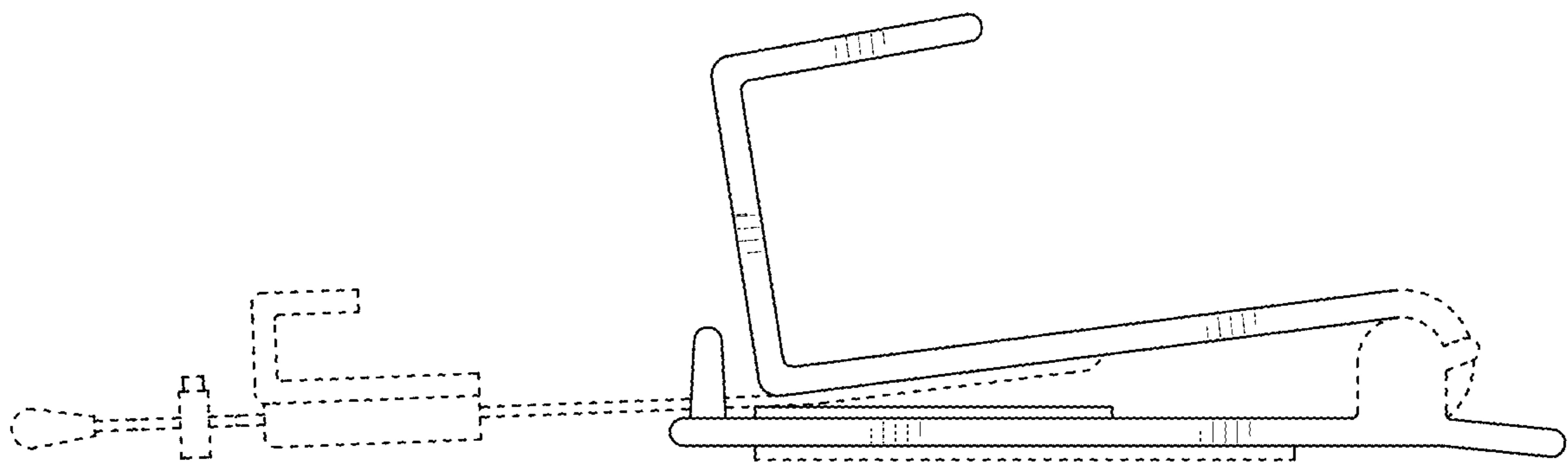


FIG. 10

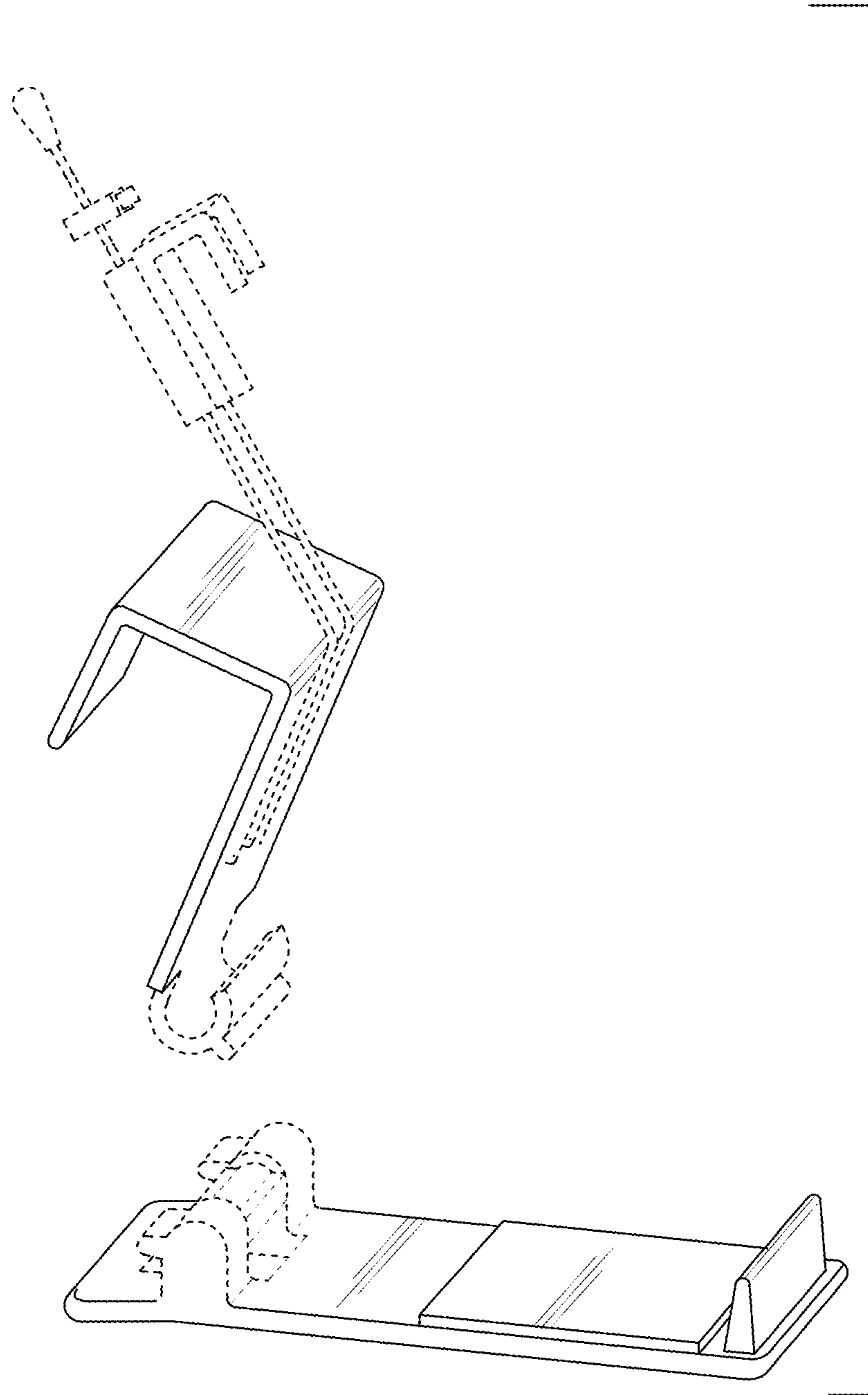


FIG. 11