



US00D908708S

(12) **United States Design Patent**
Miller et al.

(10) **Patent No.:** **US D908,708 S**
(45) **Date of Patent:** **** Jan. 26, 2021**

- (54) **MOBILE DEVICE CASE**
- (71) Applicant: **MobileDemand LC**, Hiawatha, IA (US)
- (72) Inventors: **Matthew D. Miller**, Cedar Rapids, IA (US); **Steven R. Kunert**, Cedar Rapids, IA (US); **Blayne E. Medema**, Cedar Rapids, IA (US)
- (73) Assignee: **MobileDemand LC**, Hiawatha, IA (US)
- (**) Term: **15 Years**
- (21) Appl. No.: **29/665,535**
- (22) Filed: **Oct. 4, 2018**
- (51) **LOC (13) Cl.** **14-02**
- (52) **U.S. Cl.**
USPC **D14/440**
- (58) **Field of Classification Search**
USPC D14/440, 447, 250; 206/45.23, 320,
206/45.2; 361/679.55; 294/25; 224/218;
455/575.8
CPC ... G06F 1/1628; G06F 1/1626; A47B 23/044;
H04B 1/3888; A45C 11/00
See application file for complete search history.

(56) **References Cited**

U.S. PATENT DOCUMENTS

- 9,047,056 B2 6/2015 Yu
- D780,167 S * 2/2017 Tien D14/250
- 9,625,950 B1 4/2017 Moore
- D801,976 S * 11/2017 Li D14/440
- D850,456 S * 6/2019 Armstrong D14/440
- D863,285 S * 10/2019 Chen D14/250

- D864,198 S * 10/2019 Bidwell D14/341
- D874,465 S * 2/2020 Poon D14/440
- D875,102 S * 2/2020 Gao D14/440
- D883,987 S * 5/2020 Cheng D14/440
- D892,804 S * 8/2020 Lin D14/440
- 2016/0197638 A1* 7/2016 Demnard H04B 1/3888
455/575.8
- 2017/0033824 A1* 2/2017 Tien H04B 1/3888

* cited by examiner

Primary Examiner — Cynthia R Underwood

(74) *Attorney, Agent, or Firm* — Suiter Swantz pc llo

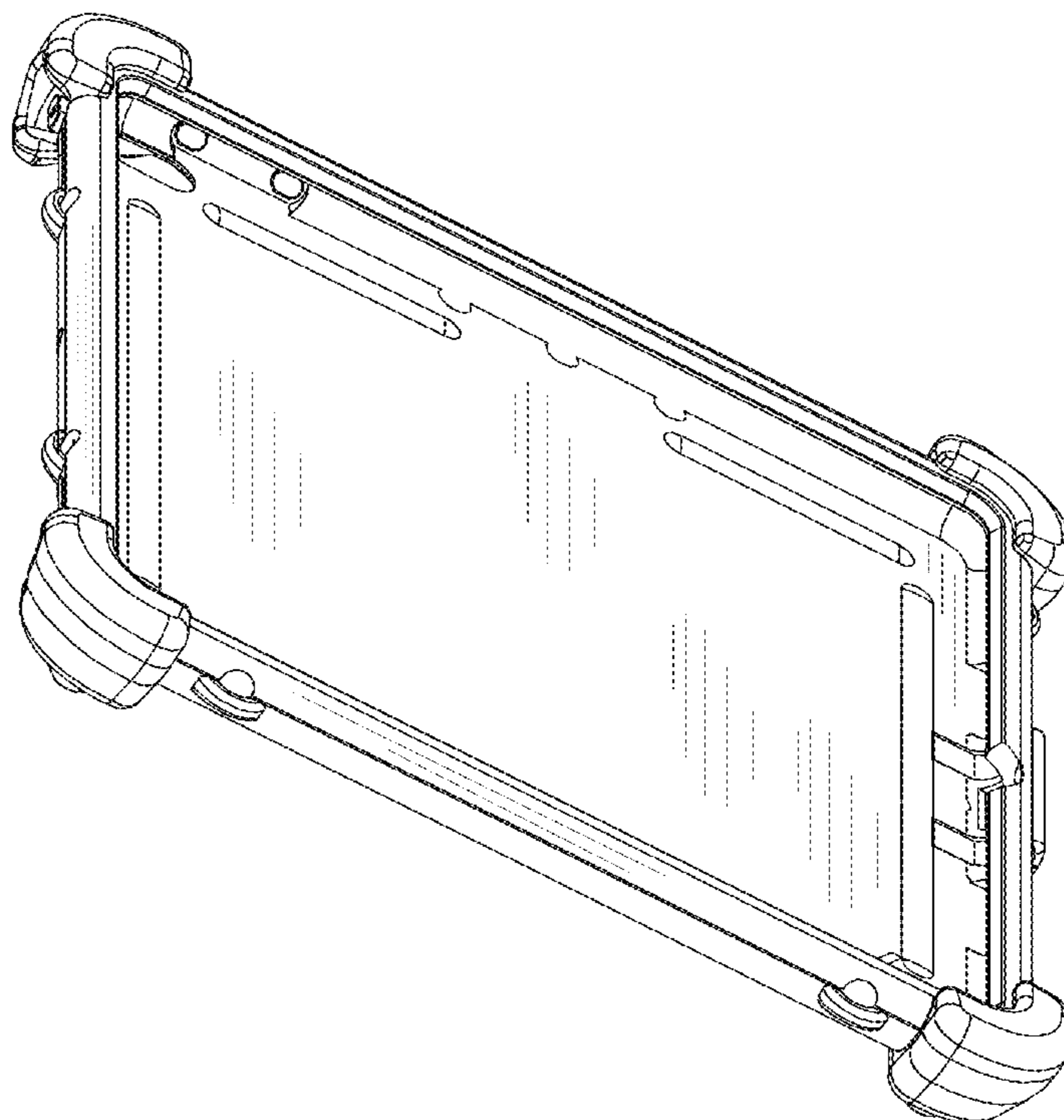
(57) **CLAIM**

The ornamental design for a mobile device case, as shown and described.

DESCRIPTION

FIG. 1 is a front perspective view of a mobile device case showing our claimed design thereof;
 FIG. 2 is a top plan view of the mobile device case of FIG. 1;
 FIG. 3 is a front elevational view of the mobile device case of FIG. 1;
 FIG. 4 is a right side elevational view of the mobile device case of FIG. 1;
 FIG. 5 is a rear elevational view of the mobile device case of FIG. 1;
 FIG. 6 is a left side elevational view of the mobile device case of FIG. 1;
 FIG. 7 is a bottom plan view of the mobile device case of FIG. 1; and,
 FIG. 8 is a rear perspective view of the mobile device case of FIG. 1.

1 Claim, 8 Drawing Sheets



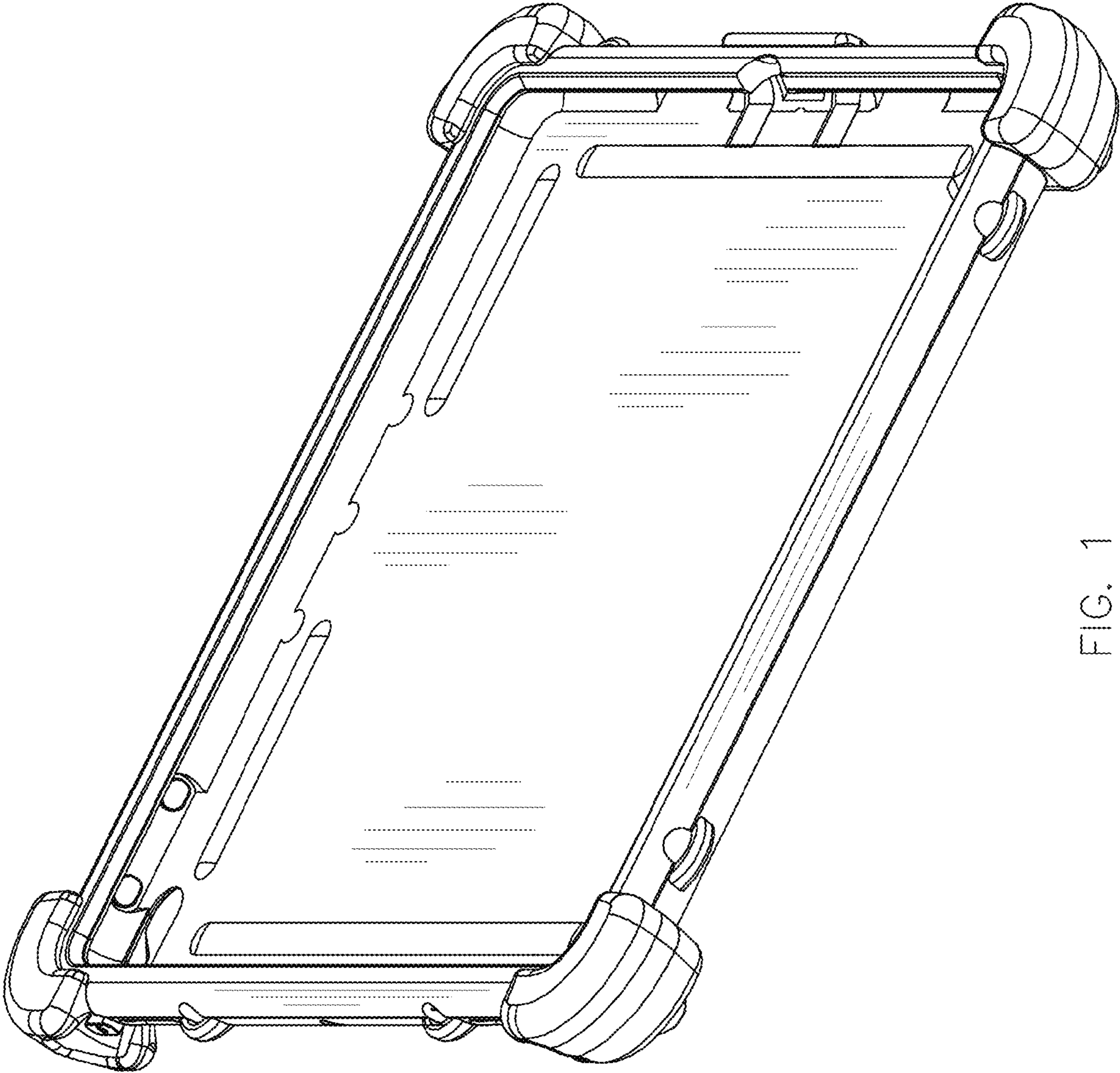


FIG. 1

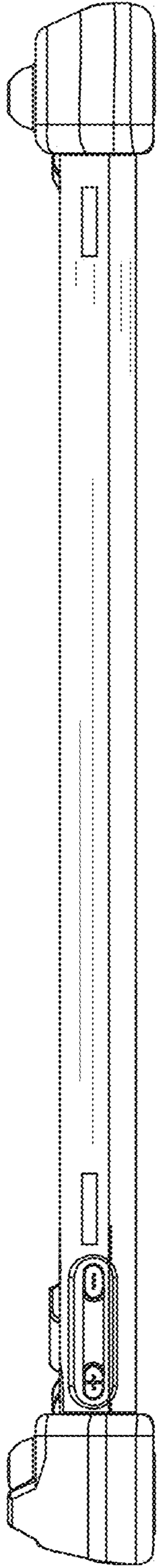


FIG. 2

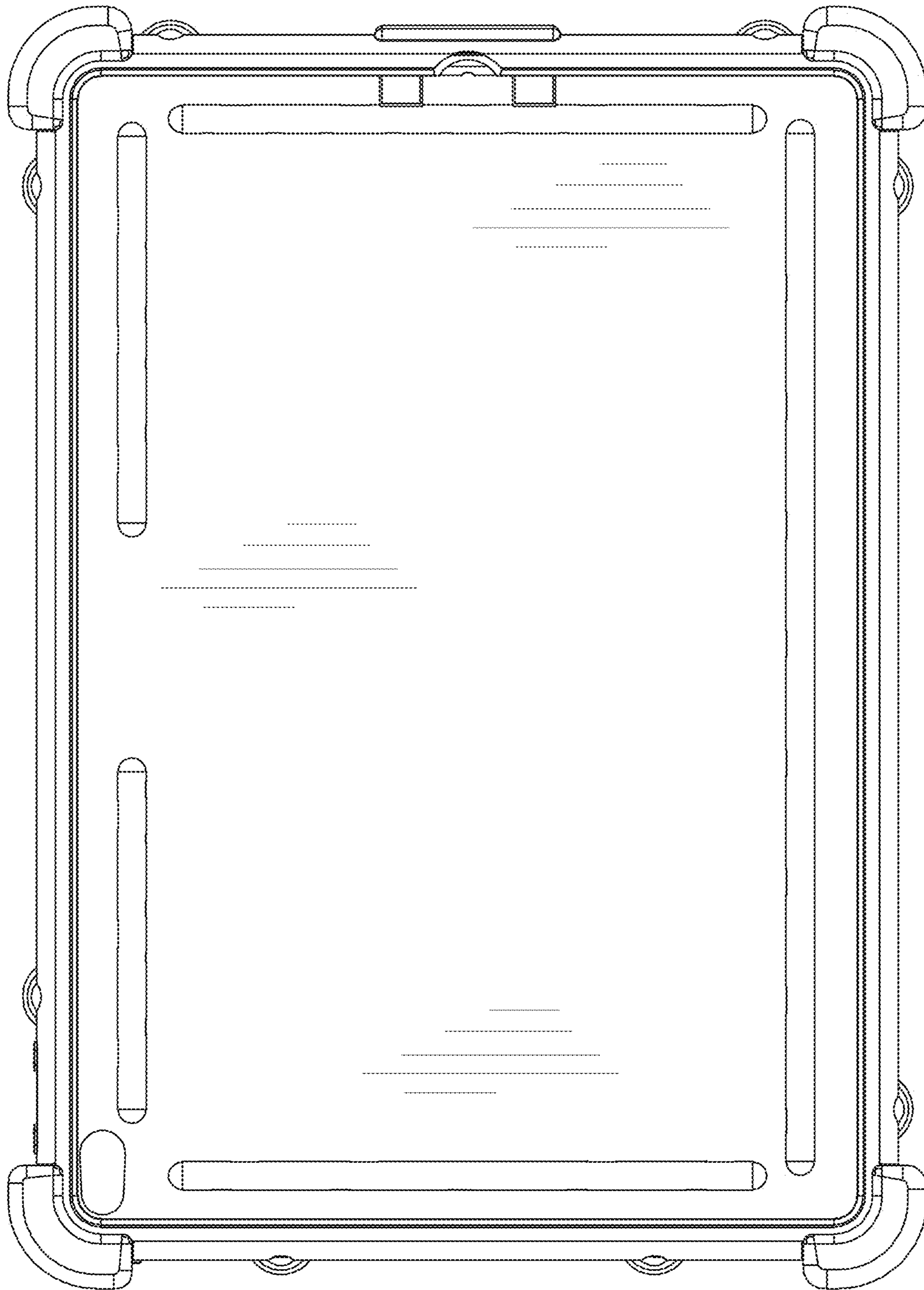


FIG. 3

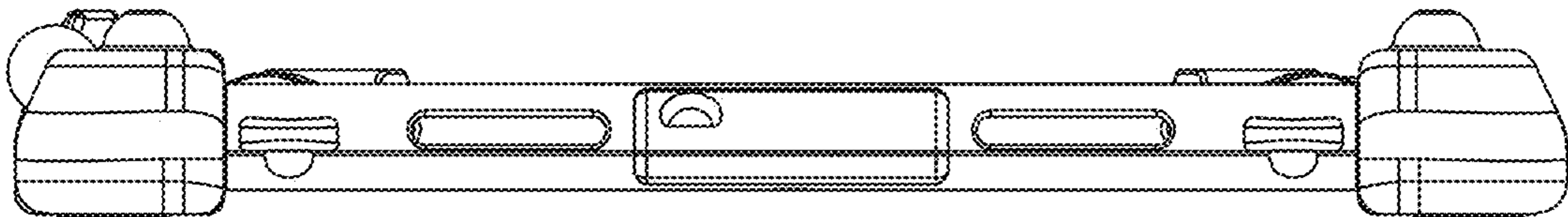


FIG. 4

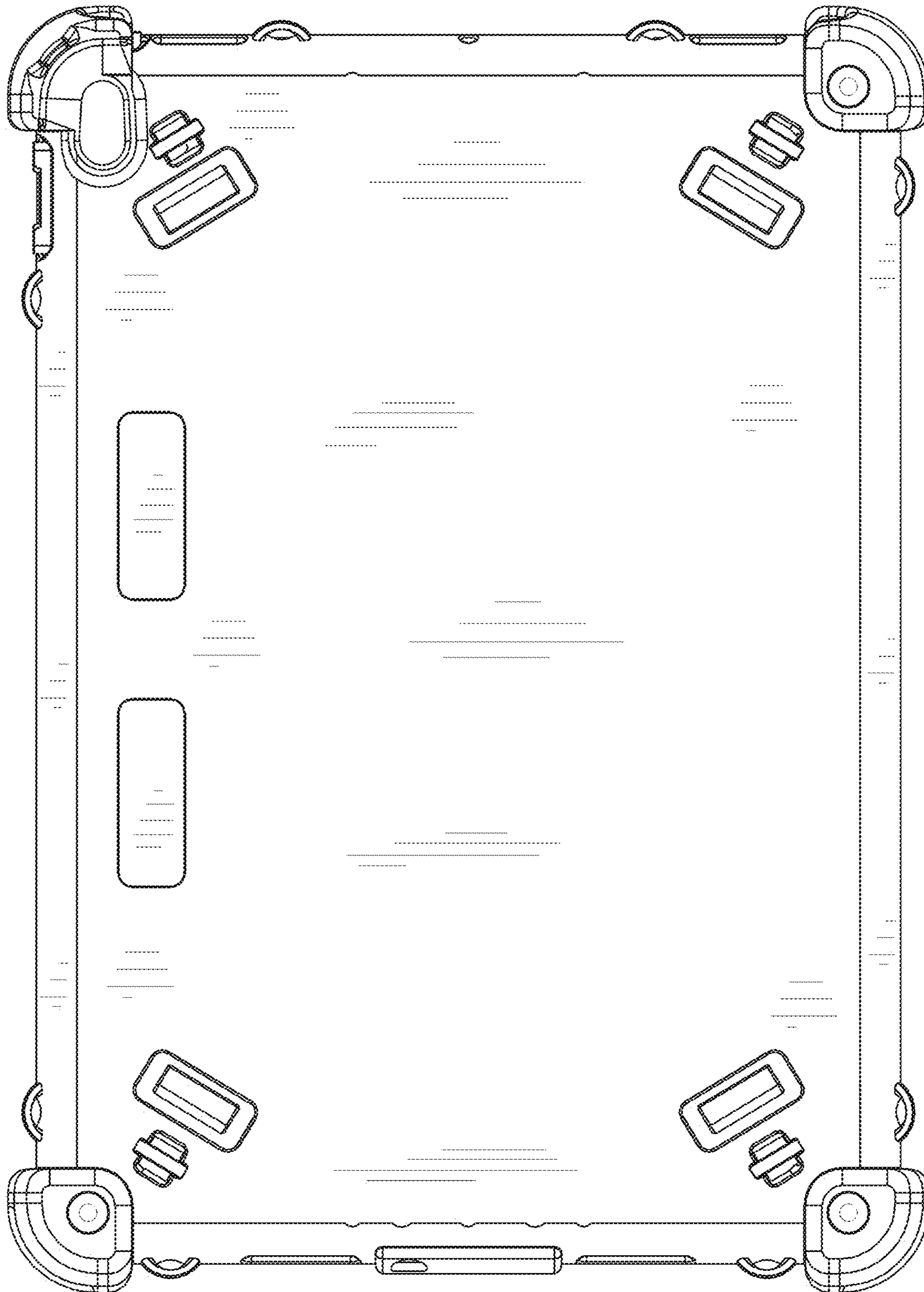


FIG. 5

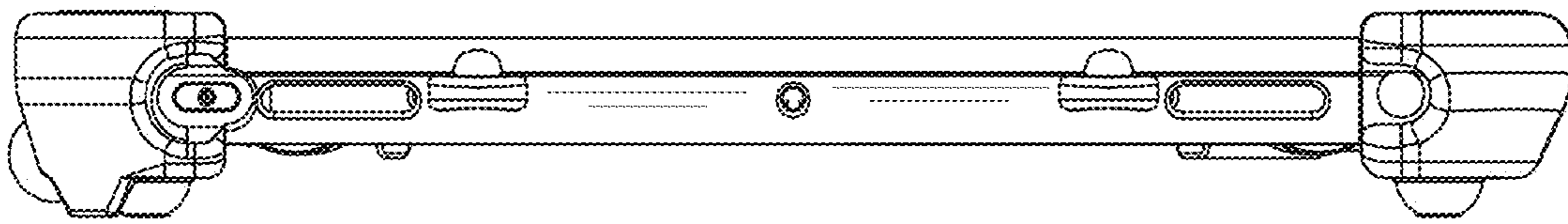


FIG. 6

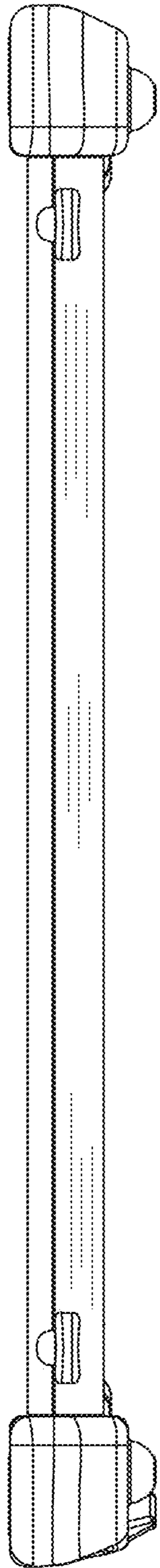


FIG. 7

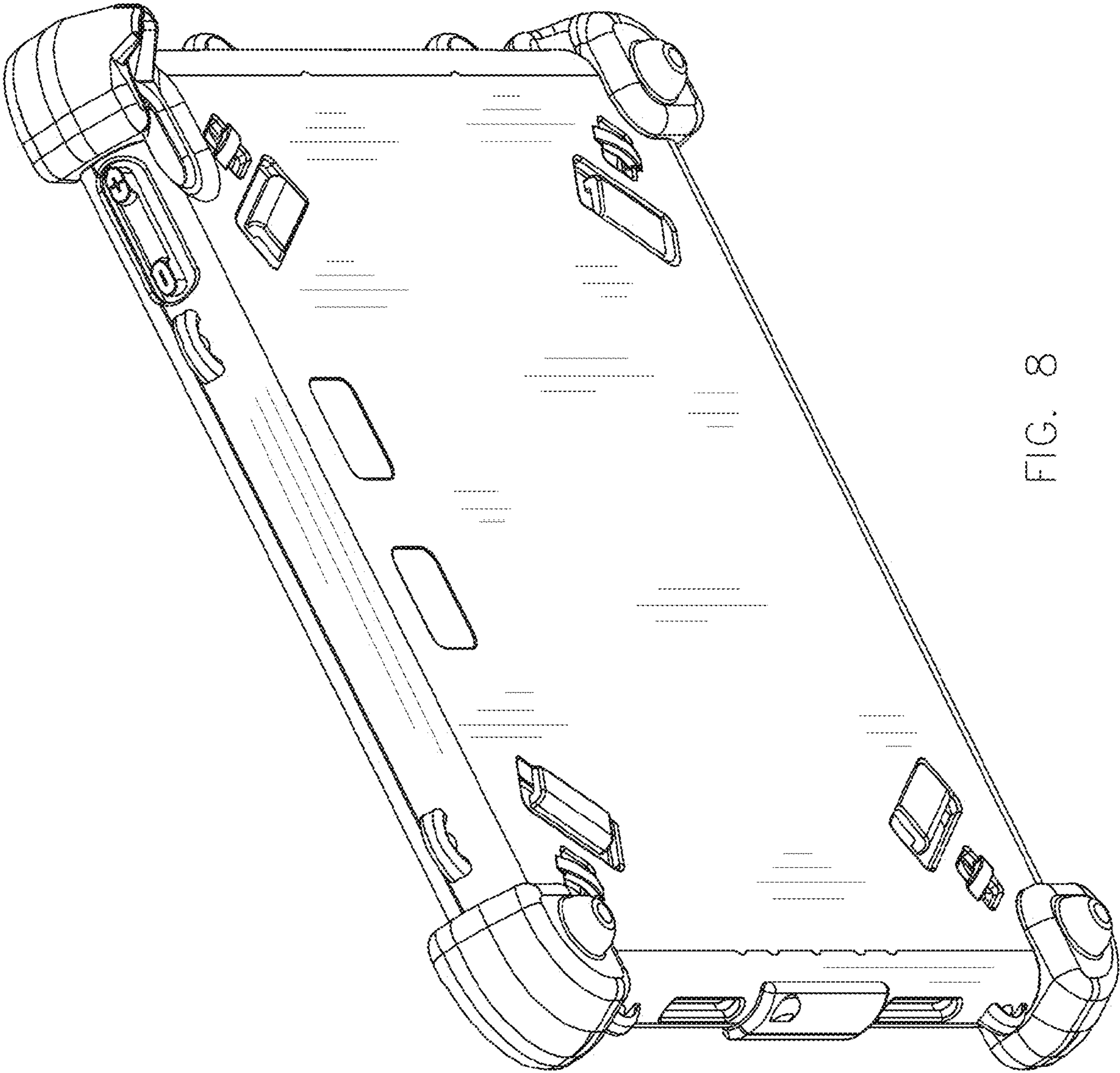


FIG. 8