



US00D908705S

(12) **United States Design Patent** (10) **Patent No.:** **US D908,705 S**
Wu (45) **Date of Patent:** **** Jan. 26, 2021**

(54) **HDMI CABLE CONNECTOR**

(71) Applicant: **Xiaolan Wu**, Beihai (CN)

(72) Inventor: **Xiaolan Wu**, Beihai (CN)

(**) Term: **15 Years**

(21) Appl. No.: **29/745,259**

(22) Filed: **Aug. 5, 2020**

(51) **LOC (13) Cl.** **14-02**

(52) **U.S. Cl.**
USPC **D14/433**

(58) **Field of Classification Search**
USPC D14/356, 432-434, 453, 454, 511, 203.8,
D14/209.1, 238.1, 240, 125; 439/638,
439/928, 105, 502; 710/303, 304;
361/679.41, 679.55, 679.56; D13/110,
D13/133, 146
CPC ... H04L 12/2832; H04L 12/2838; G06F 3/00;
G06F 5/00; G06F 13/14
See application file for complete search history.

(56) **References Cited**

U.S. PATENT DOCUMENTS

D637,159 S	5/2011	Hu	
D637,160 S	5/2011	Hu	
D644,181 S	8/2011	Hu	
D679,248 S *	4/2013	Choi	D13/147
D824,909 S *	8/2018	Namala	D14/433
D846,548 S *	4/2019	Wilson	D14/433
D889,472 S *	7/2020	Laine	D14/433

D892,048 S *	8/2020	Zhuang	D13/110
D892,120 S *	8/2020	Sweet	D14/433
D894,904 S *	9/2020	Matsuoka	D14/433
D895,625 S *	9/2020	Turksu	D14/433
D898,032 S *	10/2020	Yuan	D14/433
D898,743 S *	10/2020	He	D14/433
D900,752 S *	11/2020	Huang	D13/147
D901,505 S *	11/2020	Chen	D14/433
D901,506 S *	11/2020	He	D14/433

* cited by examiner

Primary Examiner — Austin Murphy
(74) *Attorney, Agent, or Firm* — HYIP

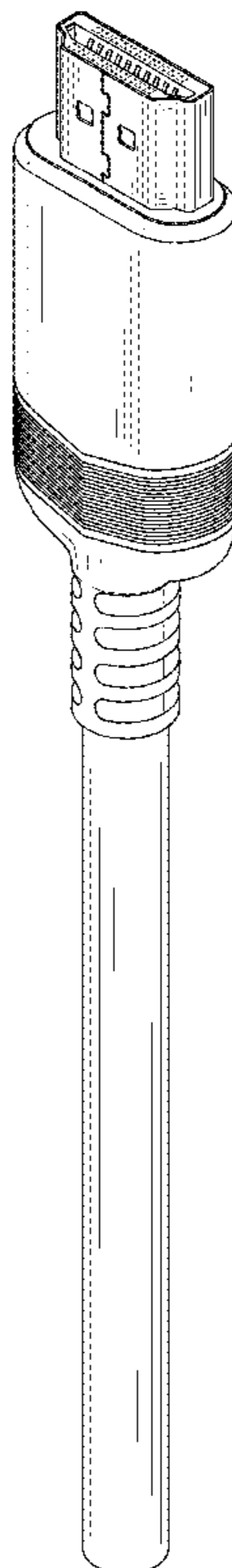
(57) **CLAIM**

The ornamental design for a HDMI cable connector, as shown and described.

DESCRIPTION

FIG. 1 is a first perspective view of a HDMI cable connector showing my new design;
FIG. 2 is a second perspective view thereof;
FIG. 3 is a front view thereof;
FIG. 4 is a back view thereof;
FIG. 5 is a left side view thereof;
FIG. 6 is a right side view thereof;
FIG. 7 is a top view thereof; and,
FIG. 8 is a bottom view thereof.
The broken lines shown in the drawings depict portions of the cable connector in which the design is embodied that form no part of the claimed design.

1 Claim, 8 Drawing Sheets



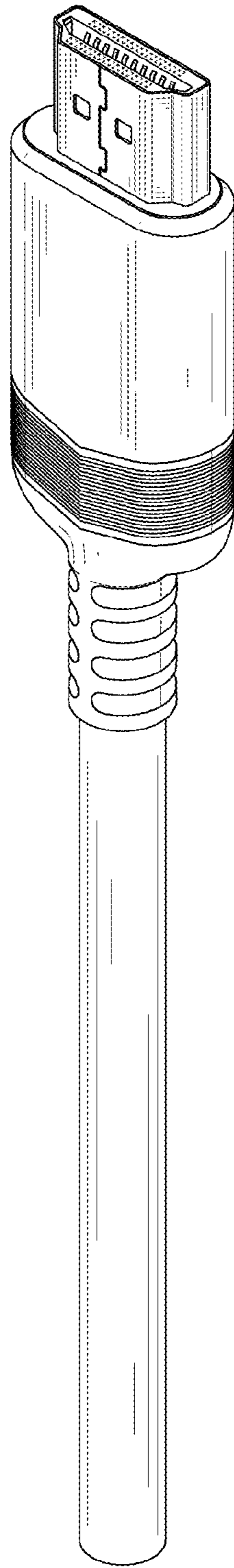


FIG. 1

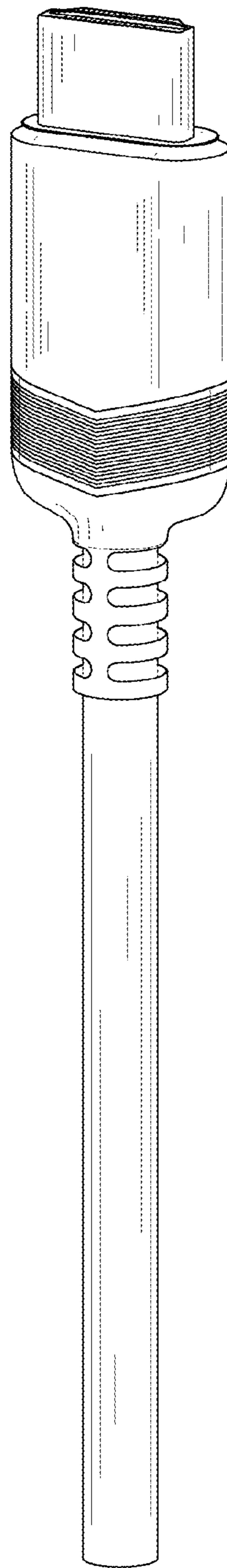


FIG. 2

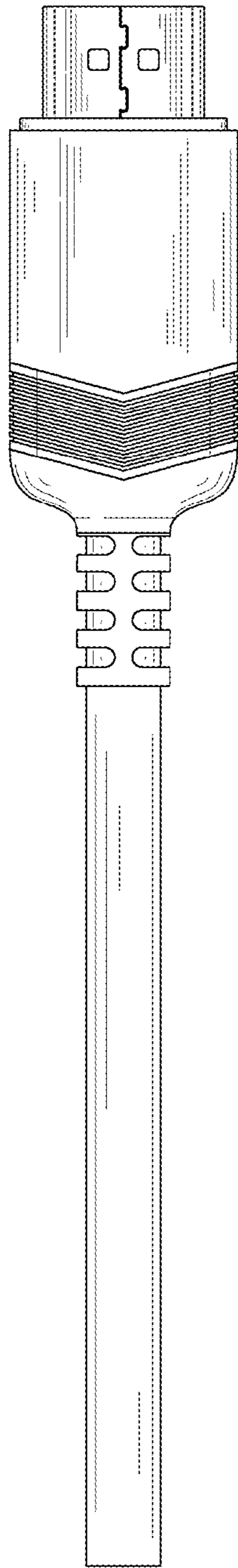


FIG. 3

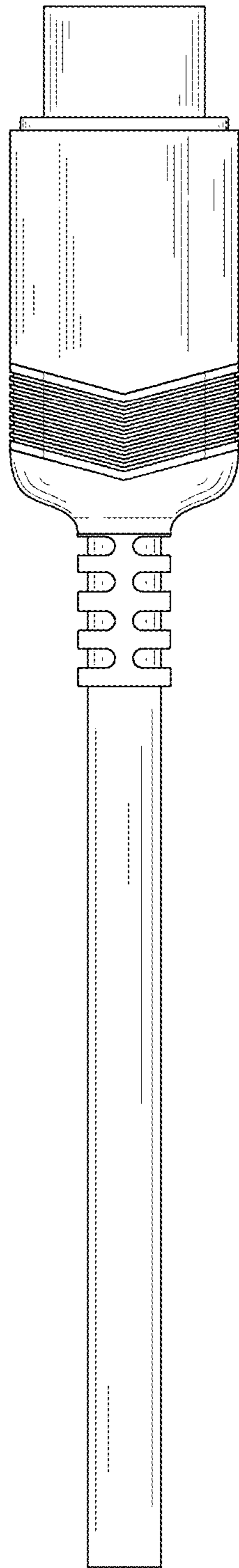


FIG. 4

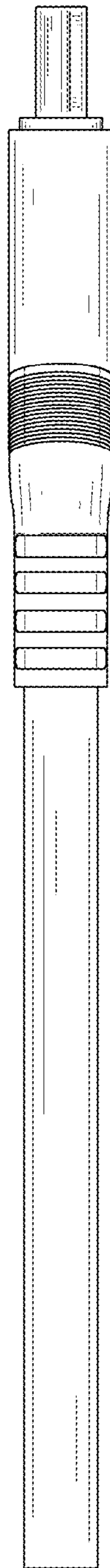


FIG. 5

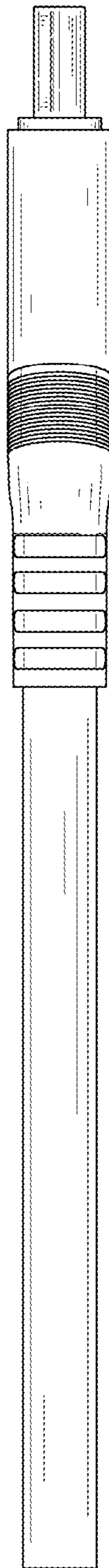


FIG. 6

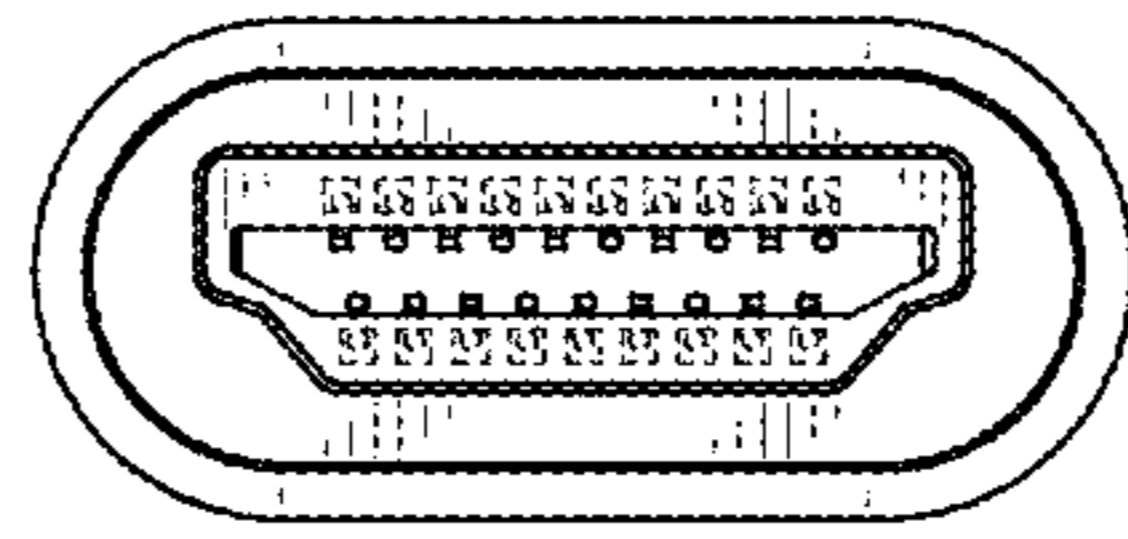


FIG. 7

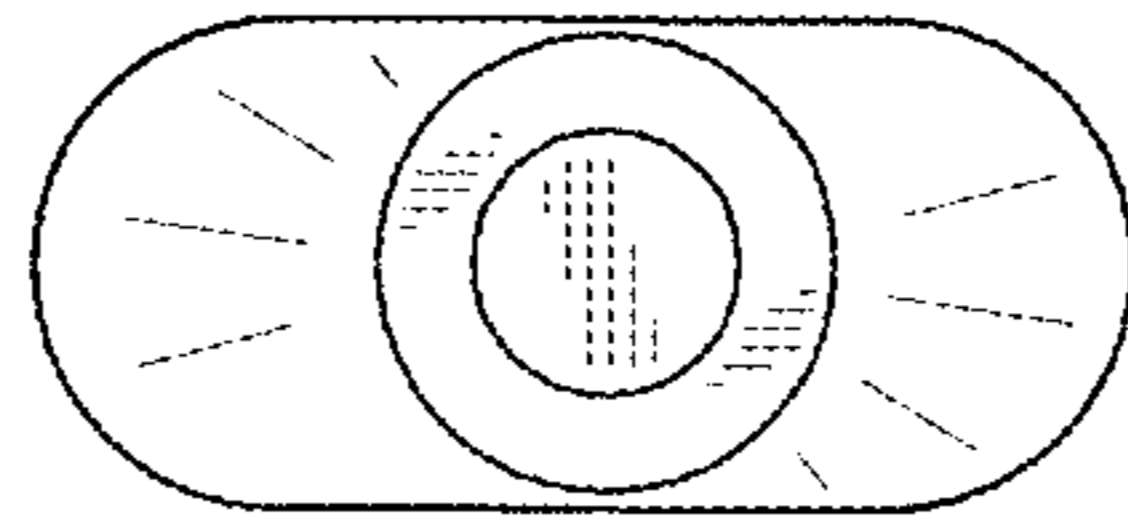


FIG. 8