



US00D908704S

(12) **United States Design Patent**
Long et al.

(10) **Patent No.:** **US D908,704 S**
(45) **Date of Patent:** **** Jan. 26, 2021**

(54) **READER**

(71) Applicant: **LumiraDx UK Ltd**, London (GB)

(72) Inventors: **Nicholas Long**, Bedford (GB); **Alex Driver**, Cambridge (GB); **Benjamin Cox**, Cambridge (GB); **Ben Clarke**, Cambridge (GB); **Paul Greenhalgh**, Cambridge (GB)

(73) Assignee: **LumiraDx UK Ltd**, London (GB)

(**) Term: **15 Years**

(21) Appl. No.: **29/690,162**

(22) Filed: **May 6, 2019**

(30) **Foreign Application Priority Data**

Nov. 6, 2018 (EM) 005817863-0001
Nov. 6, 2018 (EM) 005817863-0002

(51) **LOC (13) Cl.** **14-02**

(52) **U.S. Cl.**
USPC **D14/420**

(58) **Field of Classification Search**

USPC D14/420, 426-430, 453, 346, 341, 347, D14/412, 498, 507, 371, 344, 125-129, D14/138 R-138 G, 496, 510; D13/107, D13/184; 358/473; 235/462.43, 462.45, 235/462.47, 462.48, 462.44, 462.46, 487, 235/472.01, 472.02, 440, 486, 462.01, 235/462.15, 462.21, 412; 16/110.1, 430, 16/431; 439/133, 135; 709/219, 201; 710/73; 320/114, 115, 123; 361/679, 361/679.03; 382/313, 321; 455/575.1, 455/561, 572, 575.6; 705/17, 14.64, 705/14.65, 21; 341/20; 362/103; 250/370.8, 370.1; 348/E5.137, E5.143, 348/E9.026; 345/179, 156; 463/36; 14/2; 73/702; 600/300, 485; D3/218;

(Continued)

(56) **References Cited**

U.S. PATENT DOCUMENTS

D104,560 S * 5/1937 Chamberlain D6/471
D154,818 S * 8/1949 Strauss D16/225

(Continued)

Primary Examiner — Susan Moon Lee

(74) *Attorney, Agent, or Firm* — Alston & Bird LLP

(57) **CLAIM**

The ornamental design for a reader, as shown and described.

DESCRIPTION

FIG. 1 is a top front perspective view of a reader according to an exemplary embodiment of the present design.

FIG. 2 is a top view of the reader of FIG. 1.

FIG. 3 is a bottom view of the reader of FIG. 1.

FIG. 4 is a front view the reader of FIG. 1.

FIG. 5 is a back view of the reader of FIG. 1.

FIG. 6 is a right side view of the reader of FIG. 1.

FIG. 7 is a left side view of the reader of FIG. 1.

FIG. 8 is a top rear perspective view of the reader of FIG. 1.

FIG. 9 is a top front perspective view of the reader of FIG. 1 in an open configuration.

FIG. 10 is a top view of the reader of FIG. 9.

FIG. 11 is a bottom view of the reader of FIG. 9.

FIG. 12 is a front view the reader of FIG. 9.

FIG. 13 is a back view of the reader of FIG. 9.

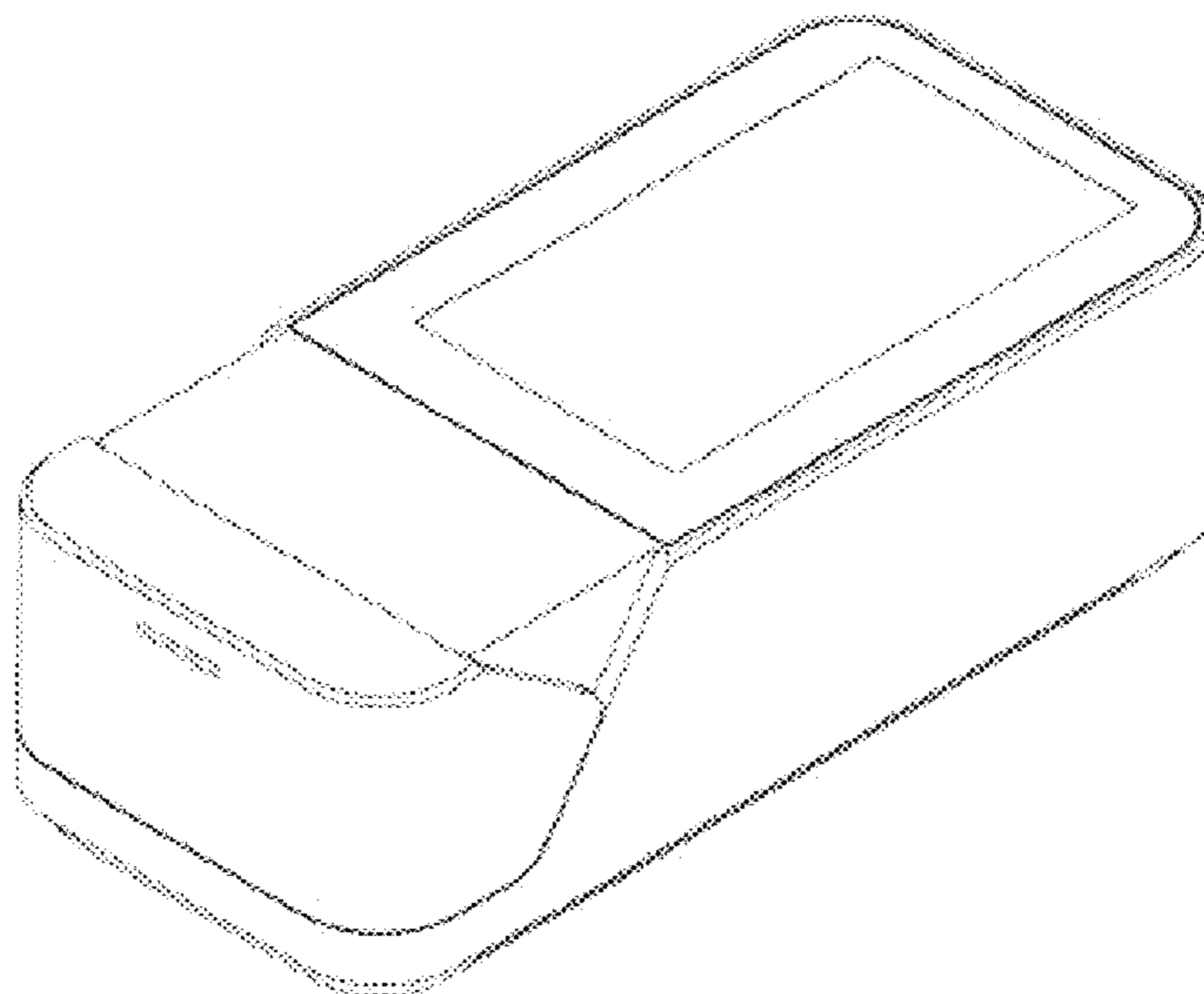
FIG. 14 is a right side view of the reader of FIG. 9.

FIG. 15 is a left side view of the reader of FIG. 9; and,

FIG. 16 is a top rear perspective view of the reader of FIG. 9.

The broken lines are directed to unclaimed features of the reader and form no part of the claimed design.

1 Claim, 10 Drawing Sheets



(58) **Field of Classification Search**

USPC 224/267, 575; 340/5.92; D24/186;
 D10/65, 57, 81, 78, 98, 70, 75
 CPC G06K 7/10396; G06K 7/0004; G06K
 7/0017; G06K 7/002; G06K 7/10881;
 G06K 7/10386; G06K 7/10009; G06K
 7/01; G06K 7/10891; G06K
 7/10544-1099; G06K 2007/10524; G06K
 2007/10534; G06F 1/163; G06F 1/1698;
 G06F 1/1684; G06Q 20/204; G06Q
 20/208; G06Q 20/30; G06Q 20/322;
 G06Q 20/203; A45F 5/00; A45F
 2005/002; A45F 2005/008; A45F
 2200/0516; A45F 2200/0525; A45F
 2200/0533; A45F 2200/0508; H04N 5/74;
 H04N 9/3129; H04N 9/3141; H01H
 2009/0221

See application file for complete search history.

(56) **References Cited**

U.S. PATENT DOCUMENTS

D164,158 S * 8/1951 Clay D16/225
 D169,369 S * 4/1953 Forrester D16/225
 D173,647 S * 12/1954 Elle et al. D16/225
 D180,887 S * 8/1957 Weinstein D16/225
 D181,019 S * 9/1957 Parcher D16/225
 D184,351 S * 2/1959 Grosso D16/225
 D199,598 S * 11/1964 Lanigan D16/229
 D235,573 S * 6/1975 Brych D26/37
 D240,460 S * 7/1976 Simonelli D16/225
 D245,934 S * 9/1977 Donaldson D21/514
 D249,527 S * 9/1978 Stralka D16/225
 D268,590 S * 4/1983 Miller et al. D16/225
 D290,708 S * 7/1987 Rea D16/225
 D297,571 S * 9/1988 Mann D26/37
 D308,865 S * 6/1990 Weaver et al. D14/429
 D315,337 S * 3/1991 Weaver et al. D14/420
 5,155,346 A * 10/1992 Doing et al. 235/462.45
 D332,446 S * 1/1993 Lin D14/411
 D337,316 S * 7/1993 Ruiten D14/347
 D342,491 S * 12/1993 Doran et al. D14/428
 D348,260 S * 6/1994 Allgeier D14/430
 5,332,322 A * 7/1994 Gambaro 400/489
 D359,059 S * 6/1995 Omi D16/131
 D359,483 S * 6/1995 Saunders et al. D14/420
 5,637,856 A * 6/1997 Bridgelall et al. 235/462.2
 D416,883 S * 11/1999 Wagner et al. D14/426
 5,992,747 A * 11/1999 Katoh et al. 235/462.43
 6,000,617 A * 12/1999 Swartz et al. 235/462.2
 D420,657 S * 2/2000 Keen et al. D14/428
 6,062,478 A * 5/2000 Izaguirre et al. 235/462.47
 6,098,887 A * 8/2000 Figarella et al. 235/472.01
 D430,588 S * 9/2000 Goldberg et al. D16/225
 D445,417 S * 7/2001 Lee et al. D14/336
 D454,879 S * 3/2002 Lin et al. D14/420
 D455,430 S * 4/2002 Krantz D14/426
 D455,750 S * 4/2002 Krantz D14/426
 D480,397 S * 10/2003 Forsythe et al. D14/383
 D486,827 S * 2/2004 Detallante D14/420
 D494,179 S * 8/2004 Berentzen et al. D14/426
 6,811,086 B1 * 11/2004 Kumagai et al. 235/462.14
 D520,638 S * 5/2006 Zeindler D24/166
 7,059,529 B1 * 6/2006 Schonenberg et al. 235/462.4
 D524,813 S * 7/2006 Nakajima et al. D14/426
 D535,994 S * 1/2007 Leibenguth D14/385
 D538,940 S * 3/2007 Baldachini D24/209
 D558,811 S * 1/2008 Higgins et al. D16/203
 D562,834 S * 2/2008 Bashan et al. D14/385
 D569,866 S * 5/2008 Turpault et al. D14/385
 D570,348 S * 6/2008 Turpault et al. D14/385
 D574,850 S * 8/2008 Zimman D14/496
 D581,931 S * 12/2008 Pine D14/426
 7,527,207 B2 * 5/2009 Acosta et al. 235/462.31

D623,754 S * 9/2010 Tuhkanen D24/186
 D624,077 S * 9/2010 Maeda et al. D14/385
 D624,915 S * 10/2010 Ferreira Sanchez D14/385
 D626,550 S * 11/2010 Julien D14/341
 D626,551 S * 11/2010 Julien D14/341
 D630,113 S * 1/2011 Orr D10/81
 D646,187 S * 10/2011 Edgar D10/50
 D658,222 S * 4/2012 Elrod et al. D16/206
 8,191,786 B2 * 6/2012 Huang et al. 235/462.43
 D668,251 S * 10/2012 Morrell D14/383
 D668,561 S * 10/2012 Dunkin et al. D10/57
 D669,079 S * 10/2012 Hansen D14/420
 D671,121 S * 11/2012 Schickling et al. D14/426
 D671,542 S * 11/2012 Siekmann et al. D14/422
 D671,934 S * 12/2012 Alman et al. D14/253
 D673,952 S * 1/2013 Toda D14/383
 8,342,407 B2 * 1/2013 Williams et al. 235/462.13
 D675,947 S * 2/2013 Janky D10/78
 D681,638 S * 5/2013 Taunay da Graca Couto
 D14/385
 D682,432 S * 5/2013 Khan D24/186
 D687,729 S * 8/2013 Lee D10/81
 D689,478 S * 9/2013 Wikel et al. D14/253
 D693,348 S * 11/2013 Min D14/426
 D698,925 S * 2/2014 Marzynski D24/186
 8,777,109 B2 * 7/2014 Oberpriller et al. 235/462.43
 D716,815 S * 11/2014 van Hees D14/420
 D717,304 S * 11/2014 Yturalde et al. D14/420
 D719,166 S * 12/2014 Brown et al. D14/420
 D720,752 S * 1/2015 Bleads D14/420
 D721,371 S * 1/2015 Rivera et al. D14/420
 8,939,373 B2 * 1/2015 Kawabata et al. 235/462.13
 D724,088 S * 3/2015 Giometti D14/420
 D727,762 S * 4/2015 Kisner D10/81
 D727,901 S * 4/2015 Nishimura D14/383
 D732,034 S * 6/2015 Chen D14/420
 D736,111 S * 8/2015 Klein D10/81
 D739,772 S * 9/2015 Lo D10/81
 D742,877 S * 11/2015 Tsuchida D14/383
 D759,521 S * 6/2016 Rekow D10/81
 9,551,649 B2 * 1/2017 Houghton G01N 33/227
 9,554,704 B2 * 1/2017 Okuyama A61B 5/742
 D782,927 S * 4/2017 Nothacker D10/81
 D784,332 S * 4/2017 Hsu D14/383
 D785,623 S * 5/2017 Kaiya D14/384
 9,645,091 B2 * 5/2017 Slowey G01N 21/8483
 D791,133 S * 7/2017 Brownlee D14/384
 D796,357 S * 9/2017 Park D10/81
 D807,213 S * 1/2018 Williams G01N 33/12
 D10/81
 D808,833 S * 1/2018 Abbott D10/81
 D812,616 S * 3/2018 Potash D14/383
 D817,959 S * 5/2018 Varotto D14/384
 D825,567 S * 8/2018 Behrooznia D14/420
 D837,213 S * 1/2019 Kaiya D14/407
 D839,874 S * 2/2019 Biesart D14/383
 D855,053 S * 7/2019 Hickman D14/384
 D855,613 S * 8/2019 Kaiya D14/383
 D859,409 S * 9/2019 Tsujikawa D14/383
 D861,516 S * 10/2019 Rao D10/70
 D890,753 S * 7/2020 Iasso D14/384
 D891,954 S * 8/2020 Ruzzi D10/70
 D893,482 S * 8/2020 DeFazio D14/385
 D895,122 S * 9/2020 Benedikter D24/177
 2001/0032884 A1 * 10/2001 Ring et al. 235/454
 2002/0040934 A1 * 4/2002 Itou et al. 235/462.43
 2005/0011956 A1 * 1/2005 Carlson 235/462.42
 2007/0019845 A1 * 1/2007 Kato G06K 9/00013
 382/126
 2008/0128505 A1 * 6/2008 Challa et al. 235/462.13
 2008/0314985 A1 * 12/2008 Kotlarsky et al. 235/462.2
 2009/0250515 A1 * 10/2009 Todd et al. 235/383
 2010/0155483 A1 * 6/2010 Craig et al. 235/462.32
 2010/0320273 A1 * 12/2010 Iizaka et al. 235/462.32
 2011/0297746 A1 * 12/2011 Biss et al. 235/462.2
 2012/0018516 A1 * 1/2012 Gao et al. 235/454
 2012/0169857 A1 * 7/2012 Sato 348/65
 2013/0206838 A1 * 8/2013 Nahill et al. 235/462.13

(56)

References Cited

U.S. PATENT DOCUMENTS

2014/0001266 A1* 1/2014 Collins et al. 235/462.13
2014/0018128 A1* 1/2014 Martin et al. 455/556.1
2014/0061312 A1* 3/2014 Tien 235/462.33

* cited by examiner

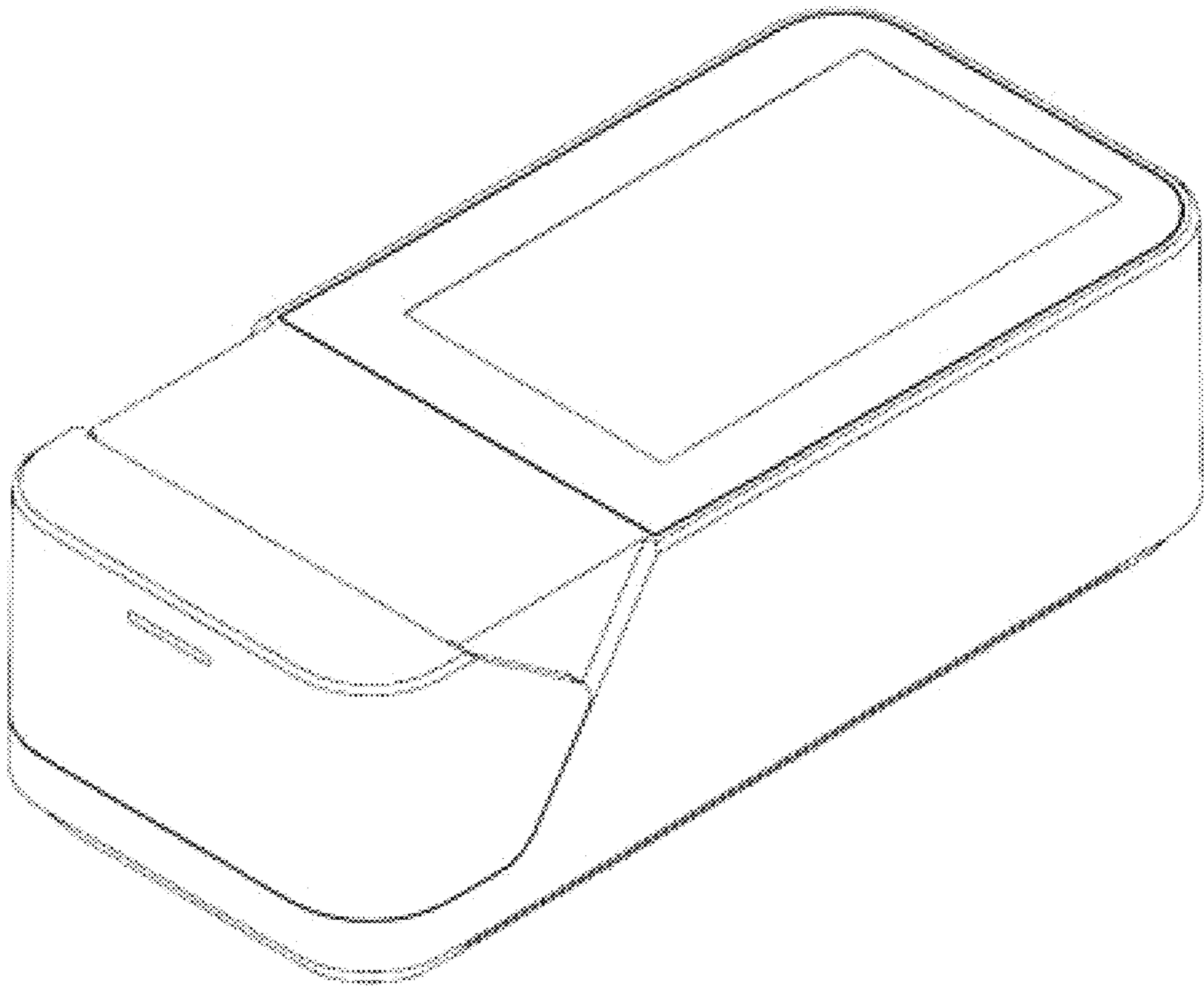


FIG. 1

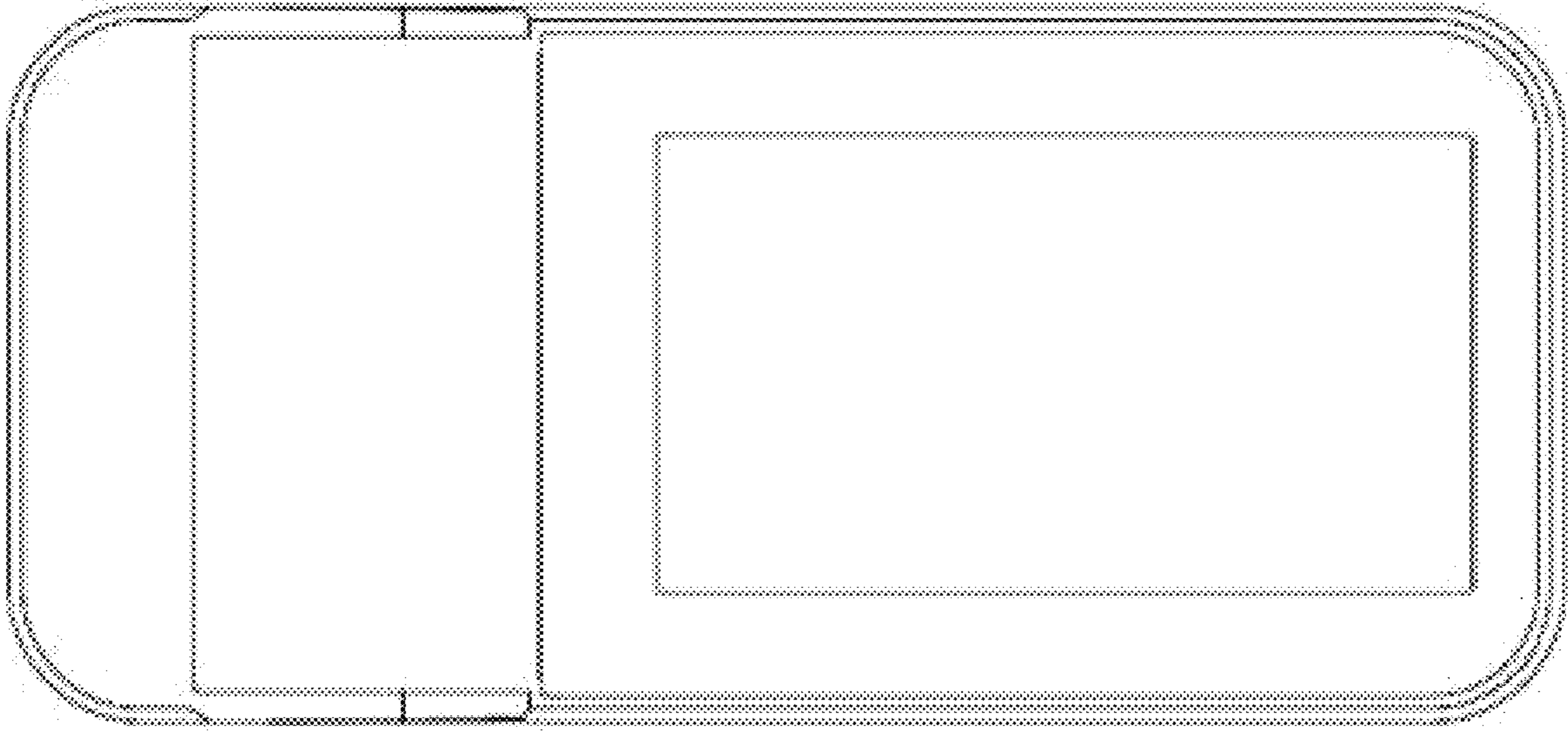


FIG. 2

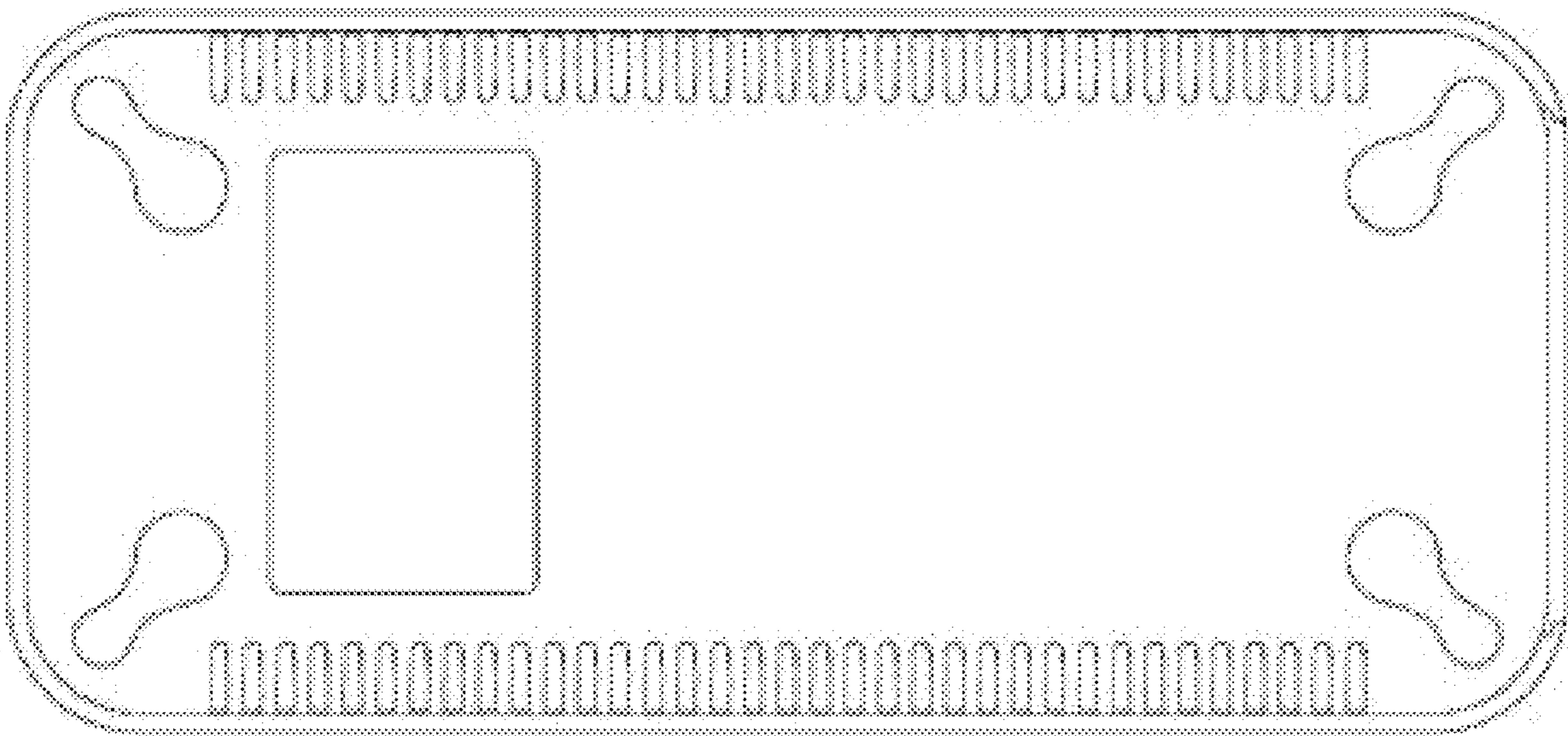


FIG. 3

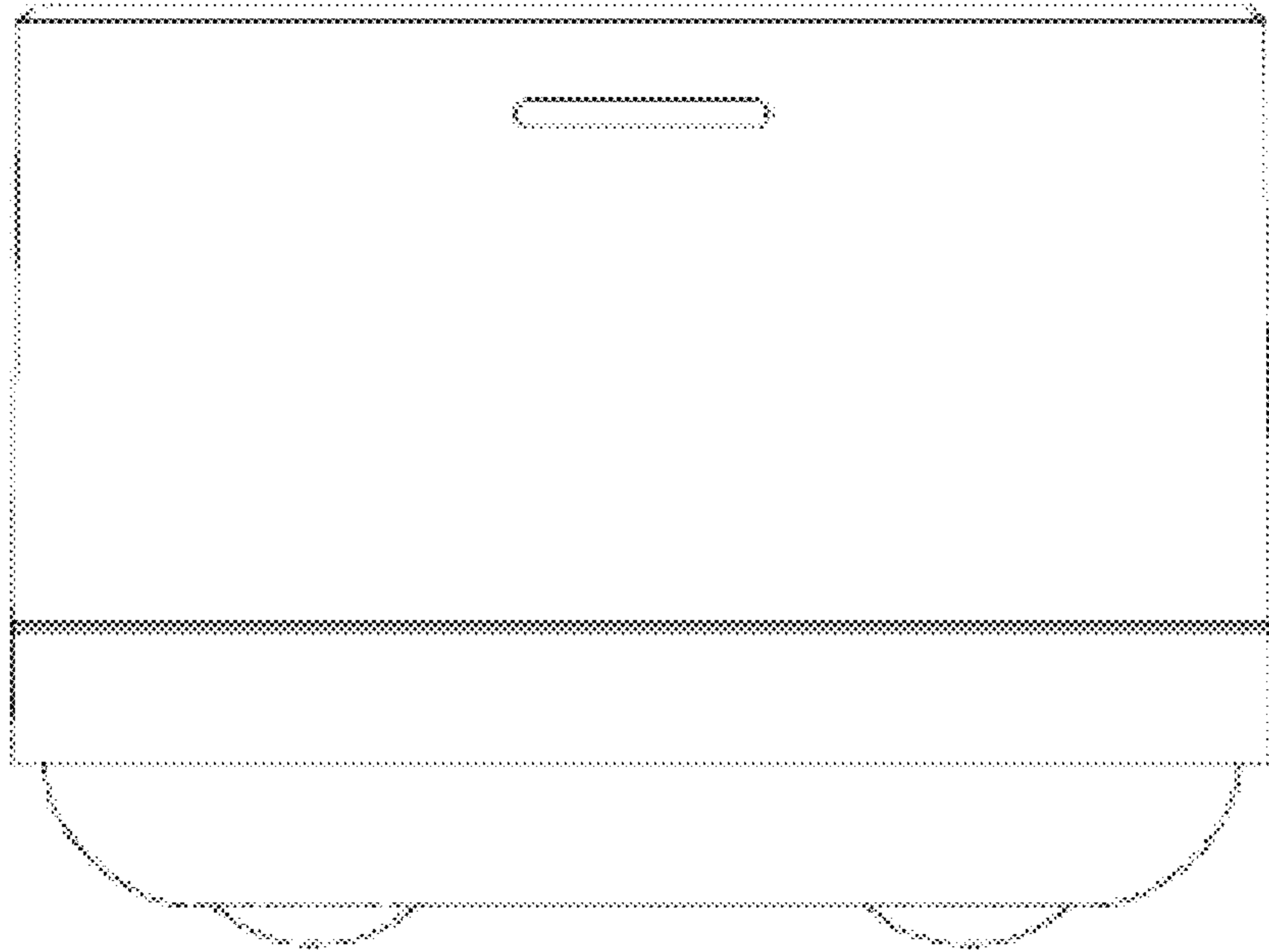


FIG. 4

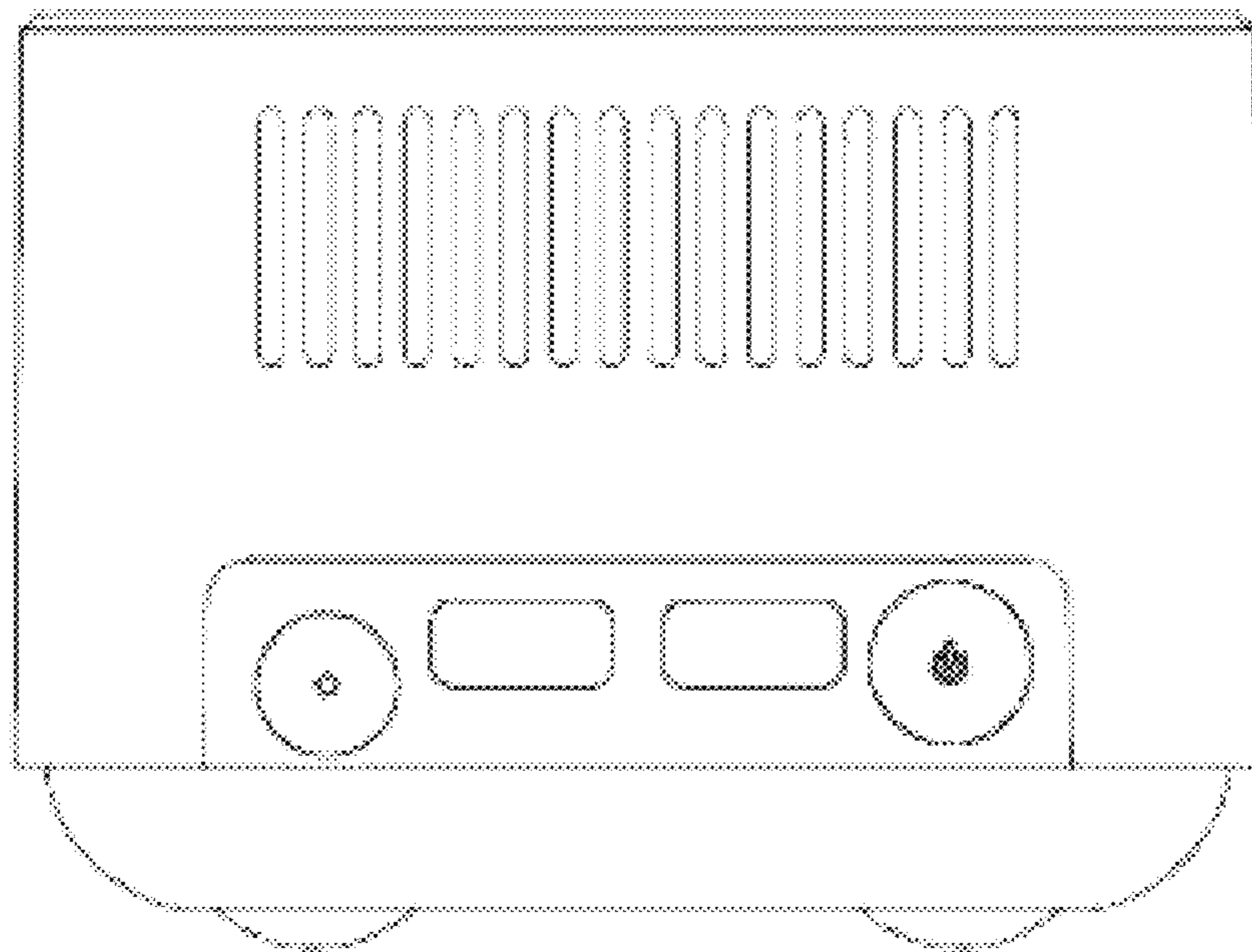


FIG. 5

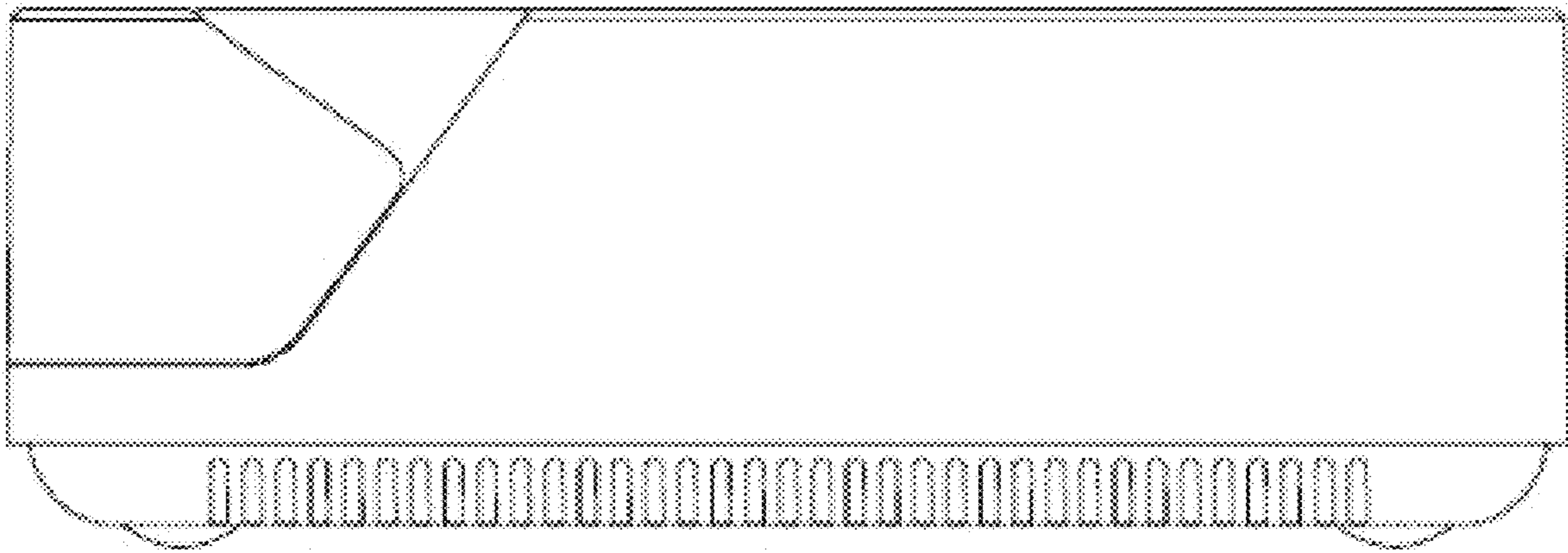


FIG. 6

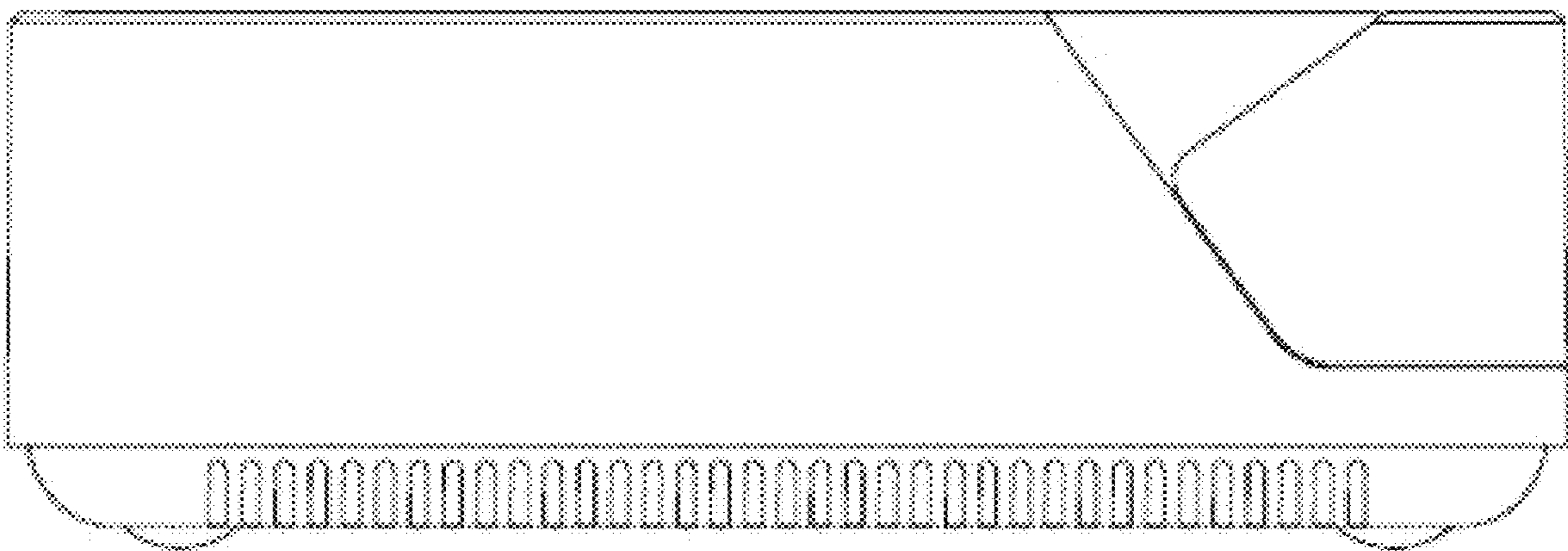


FIG. 7

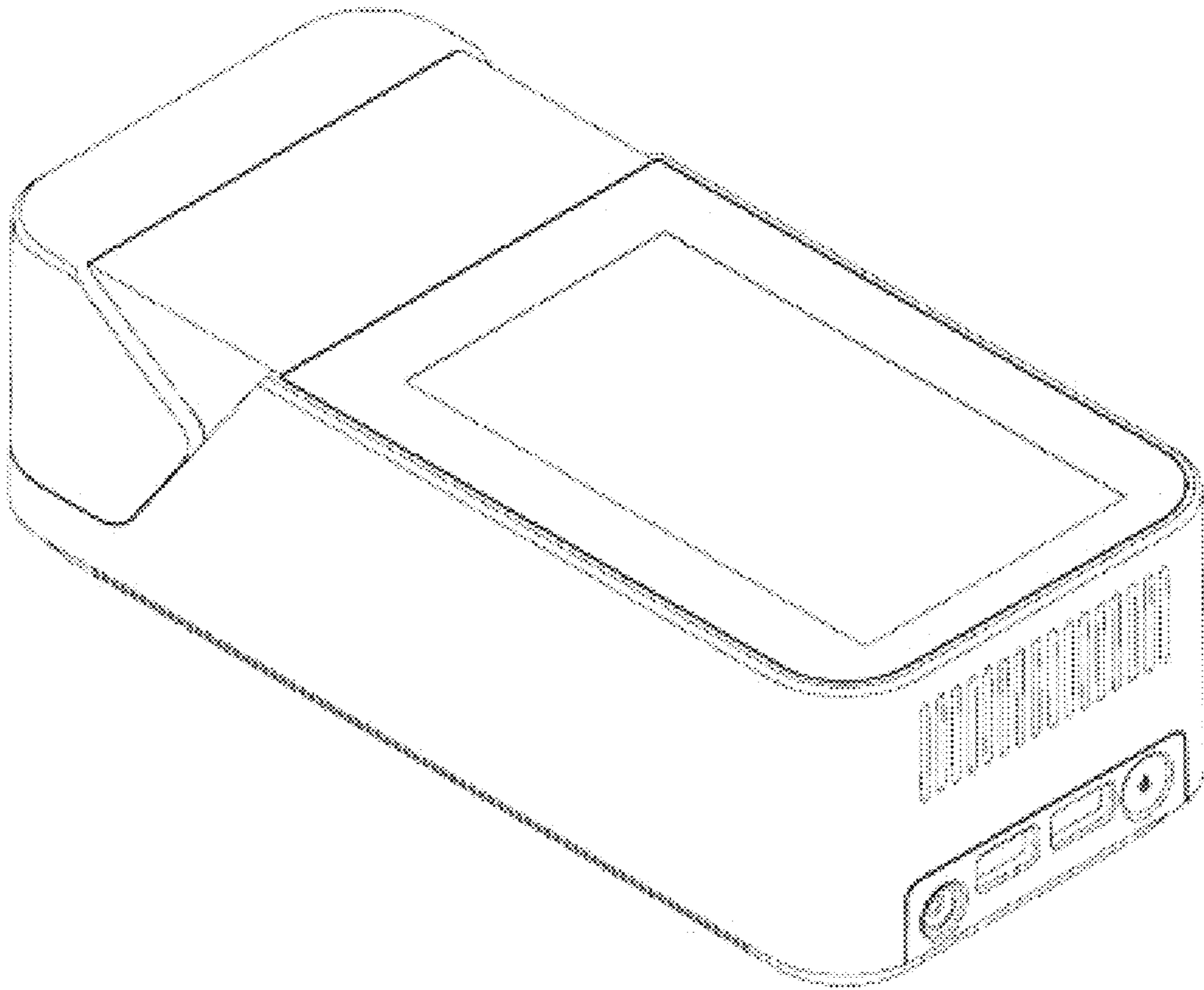


FIG. 8

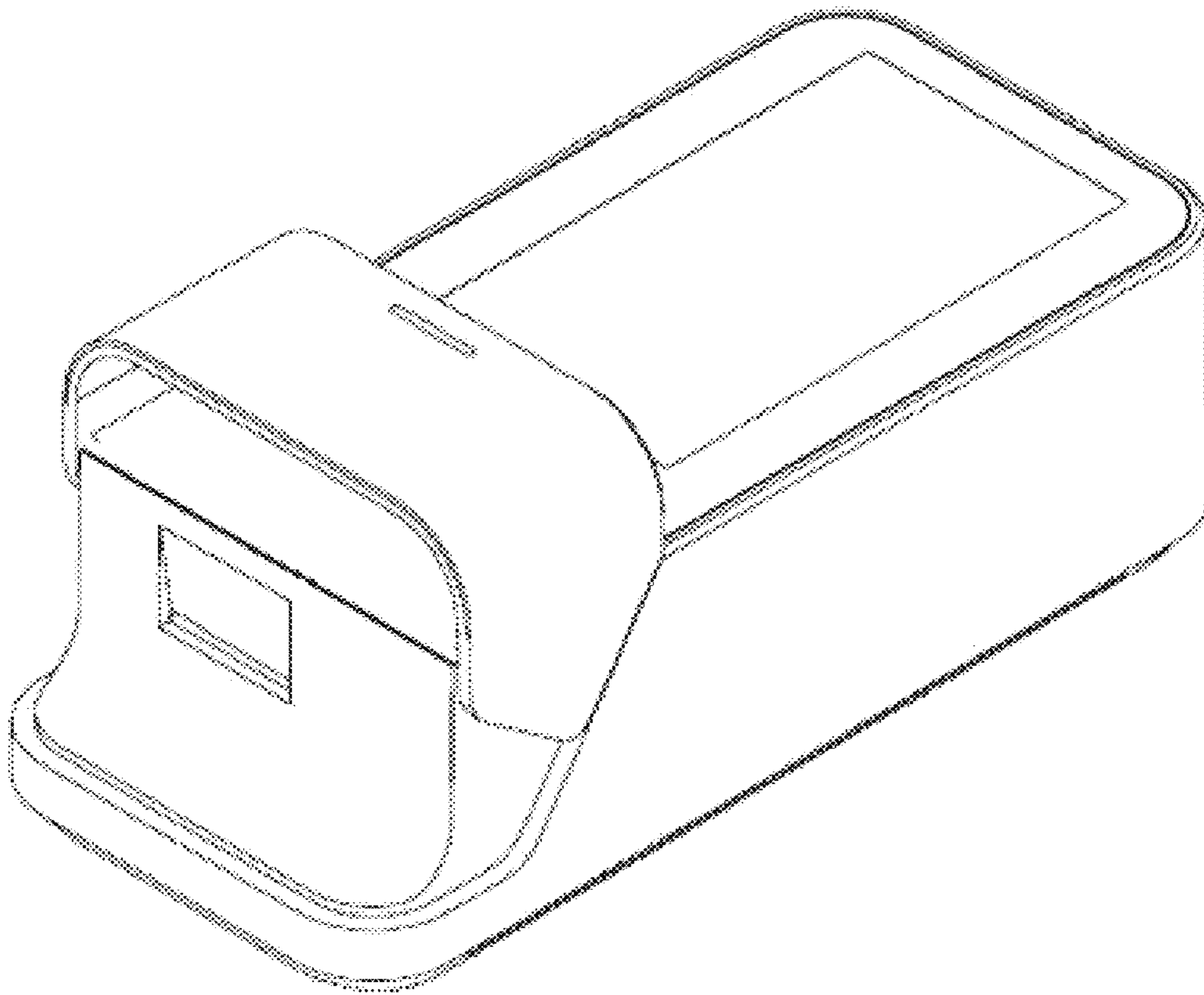


FIG. 9

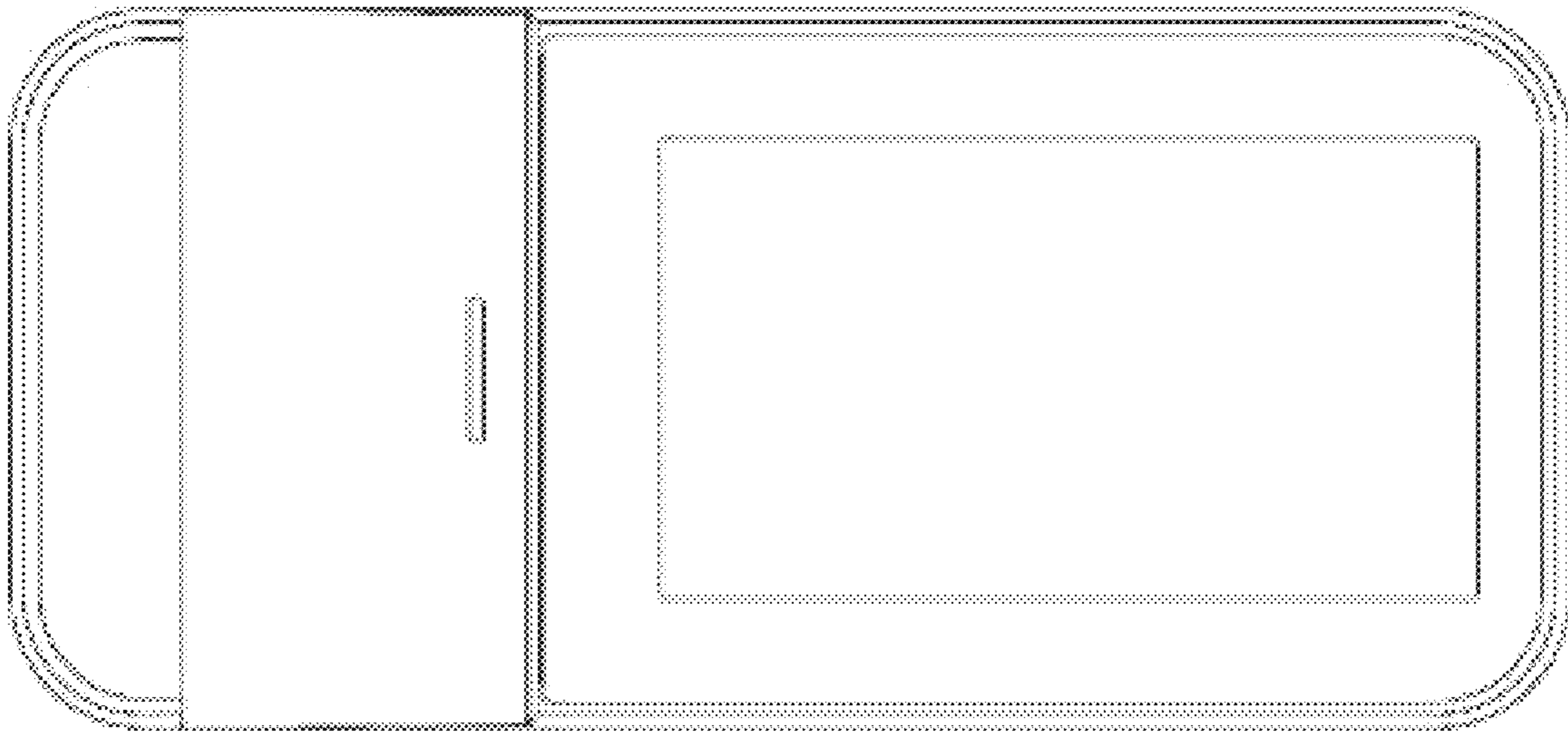


FIG. 10

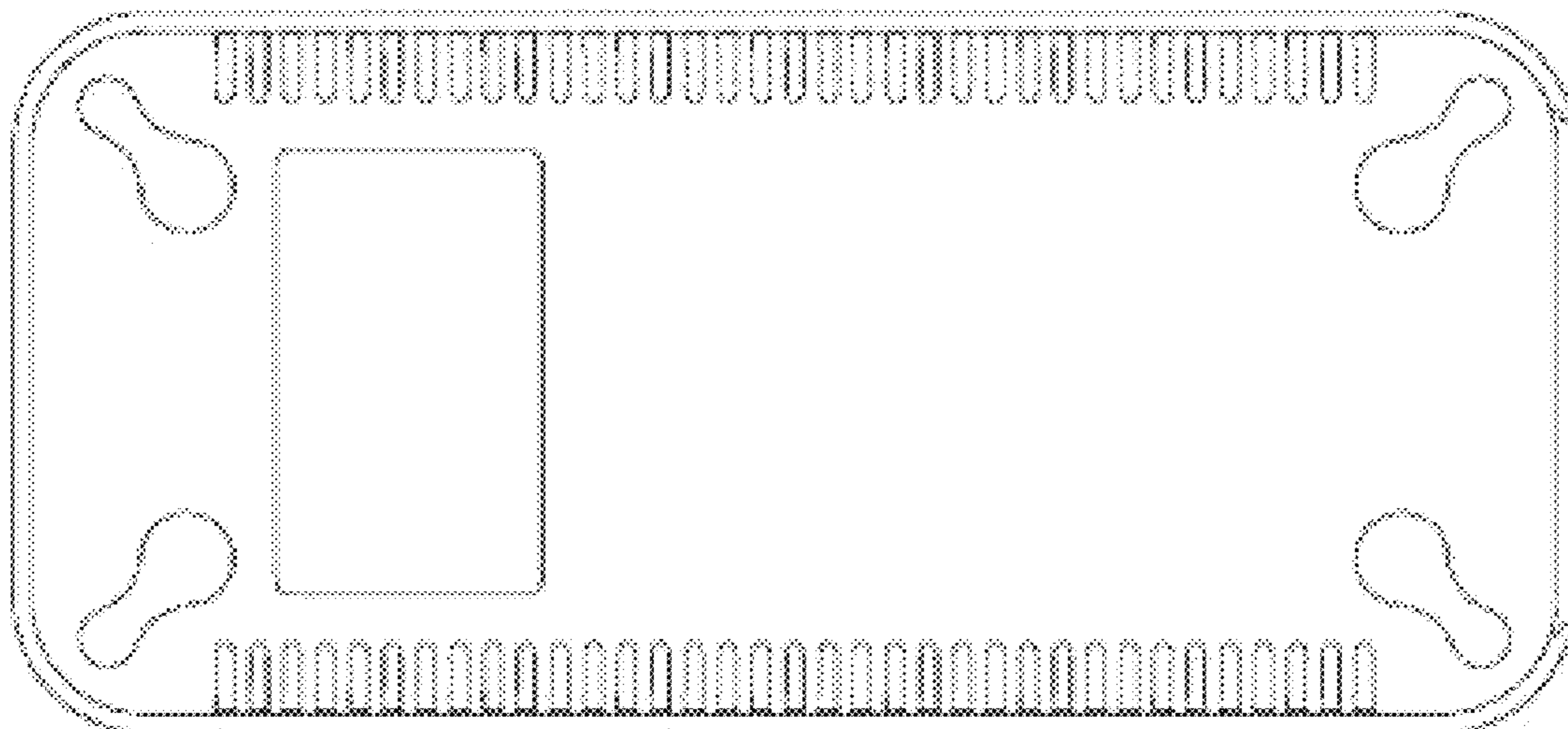


FIG. 11

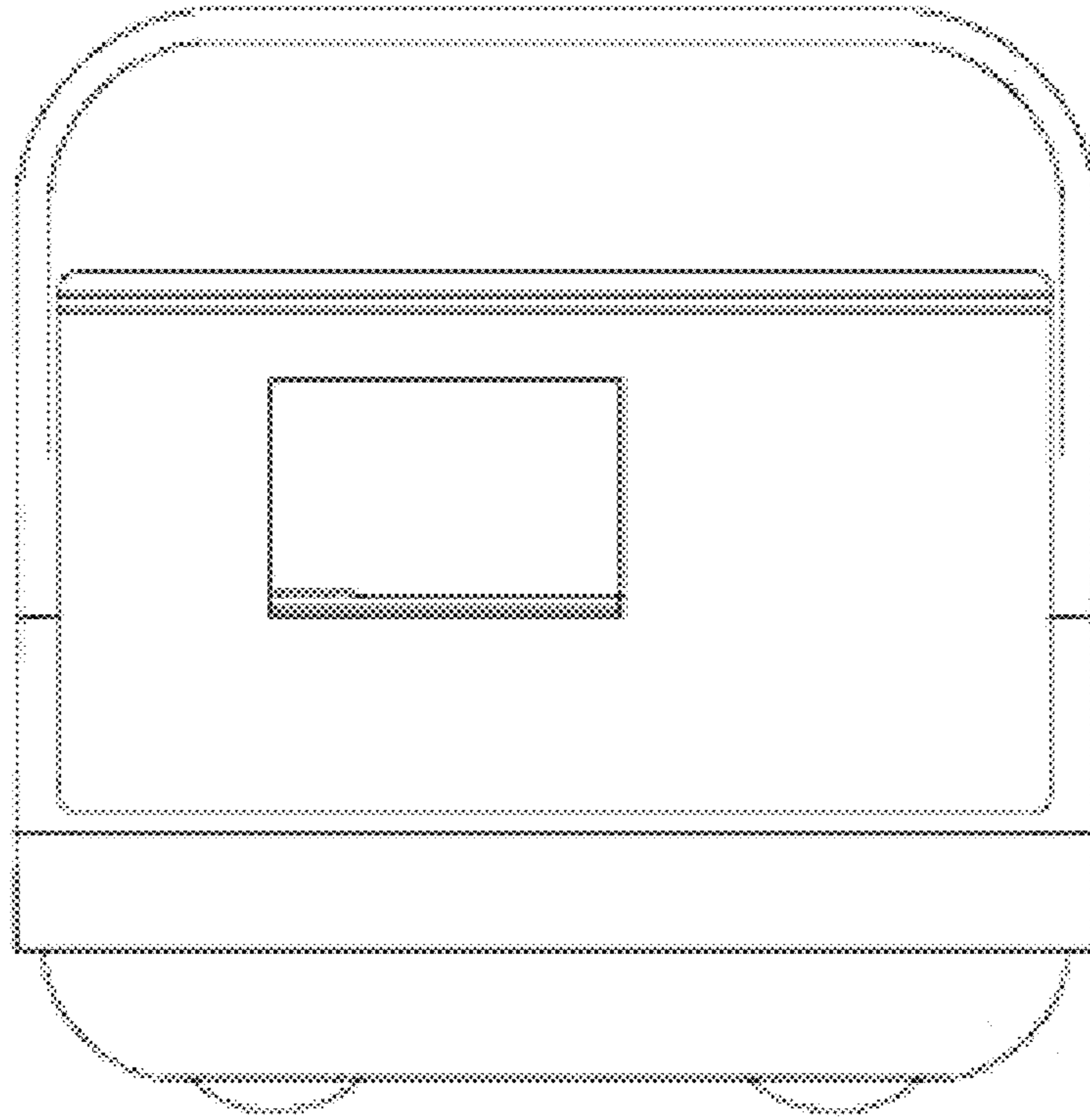


FIG. 12

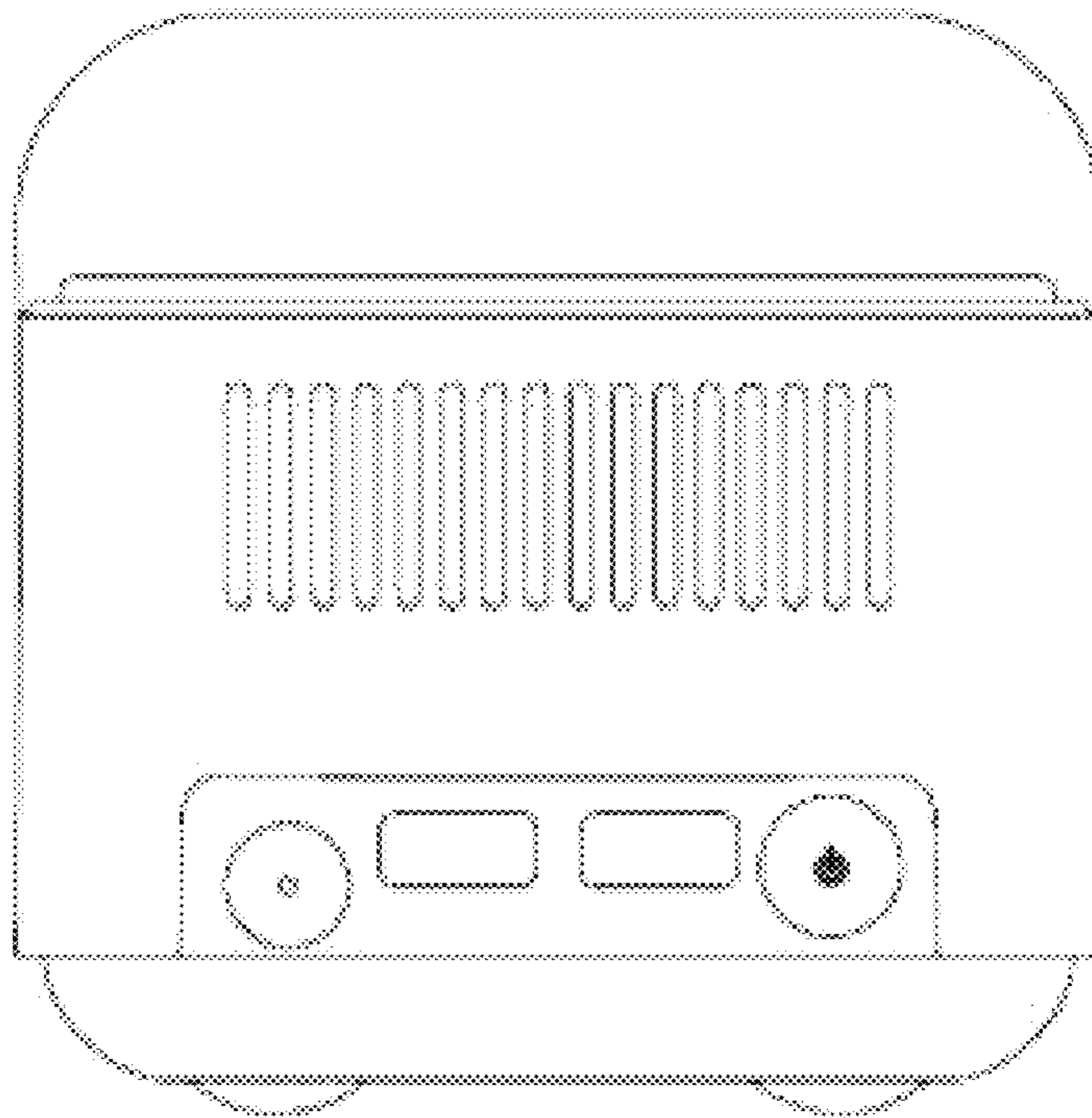


FIG. 13

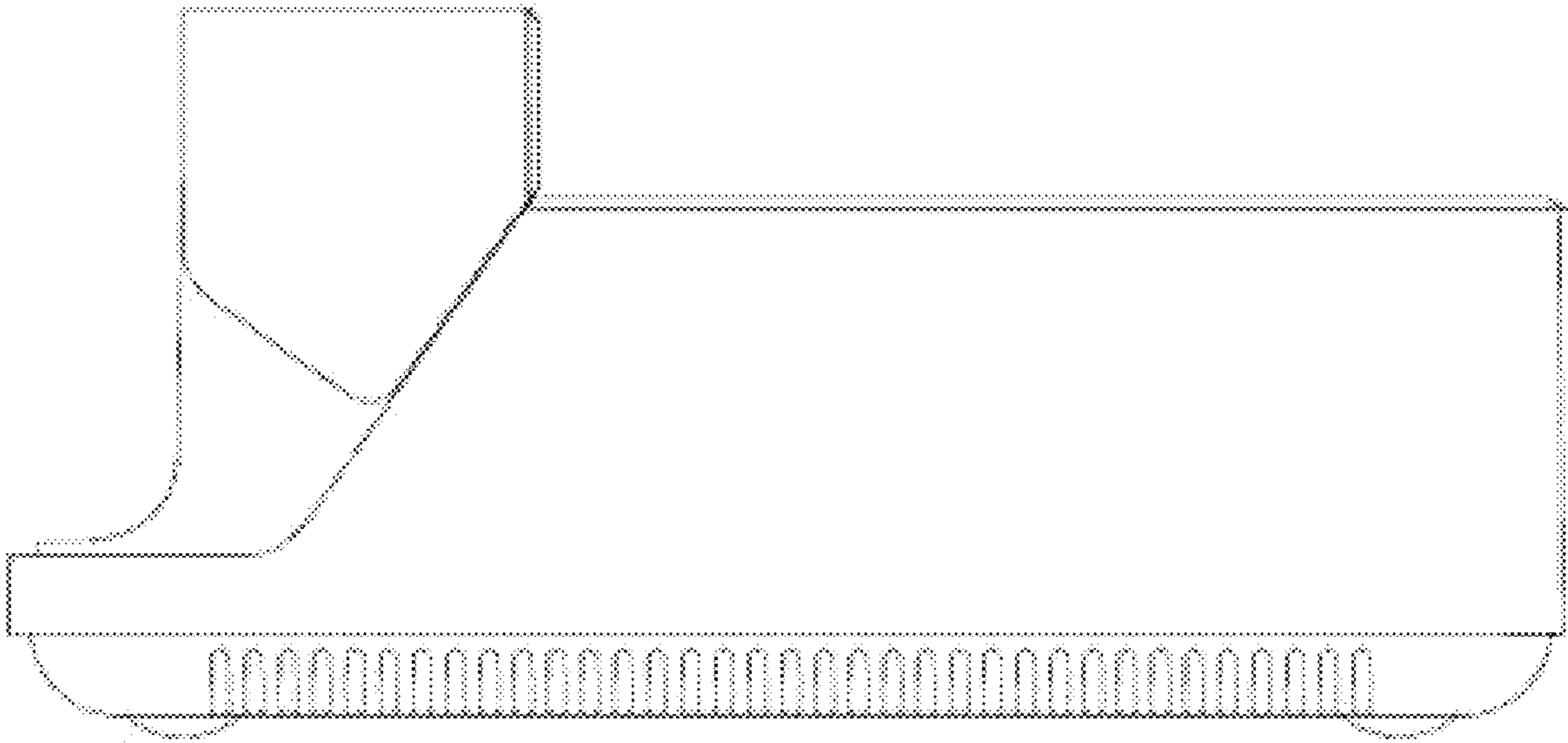


FIG. 14

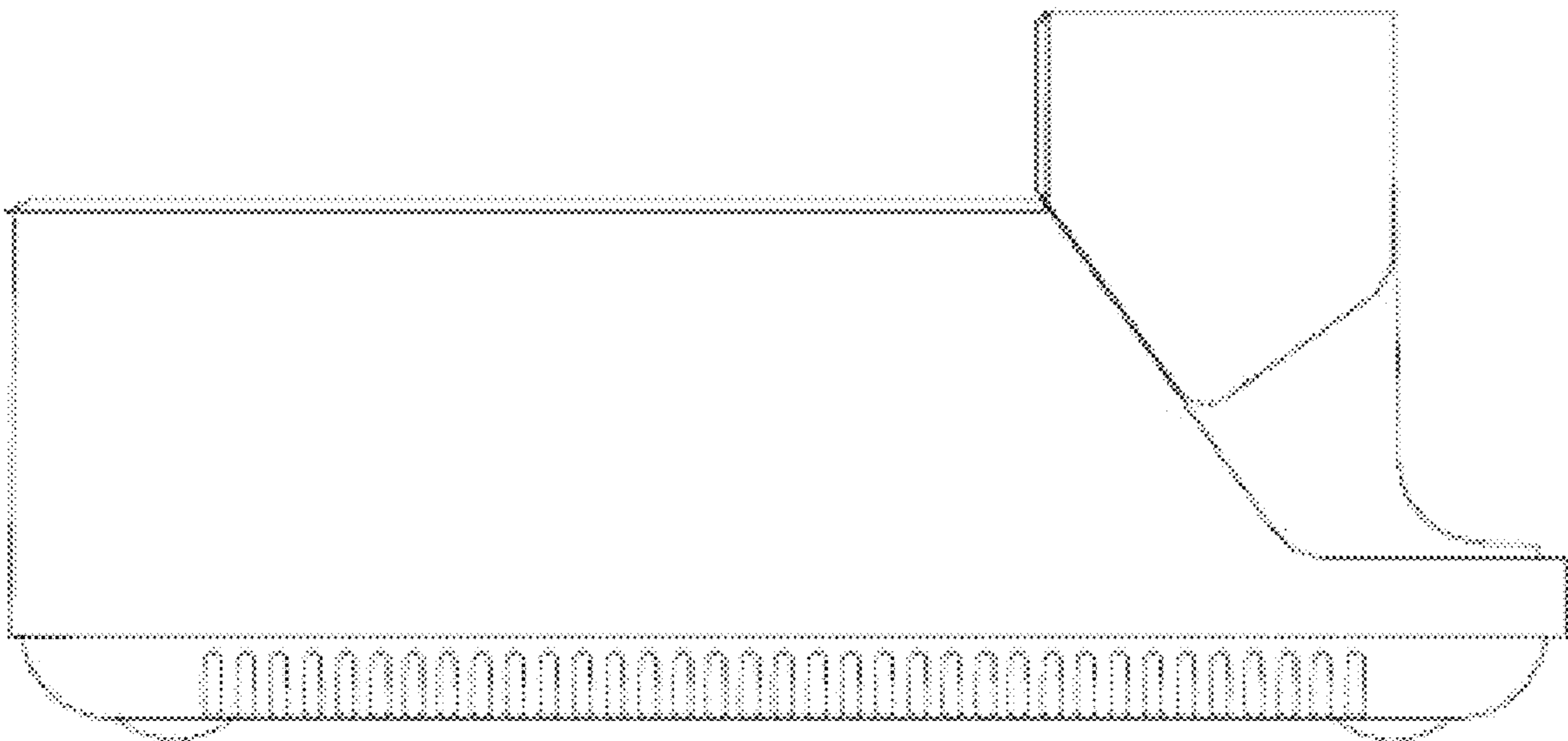


FIG. 15

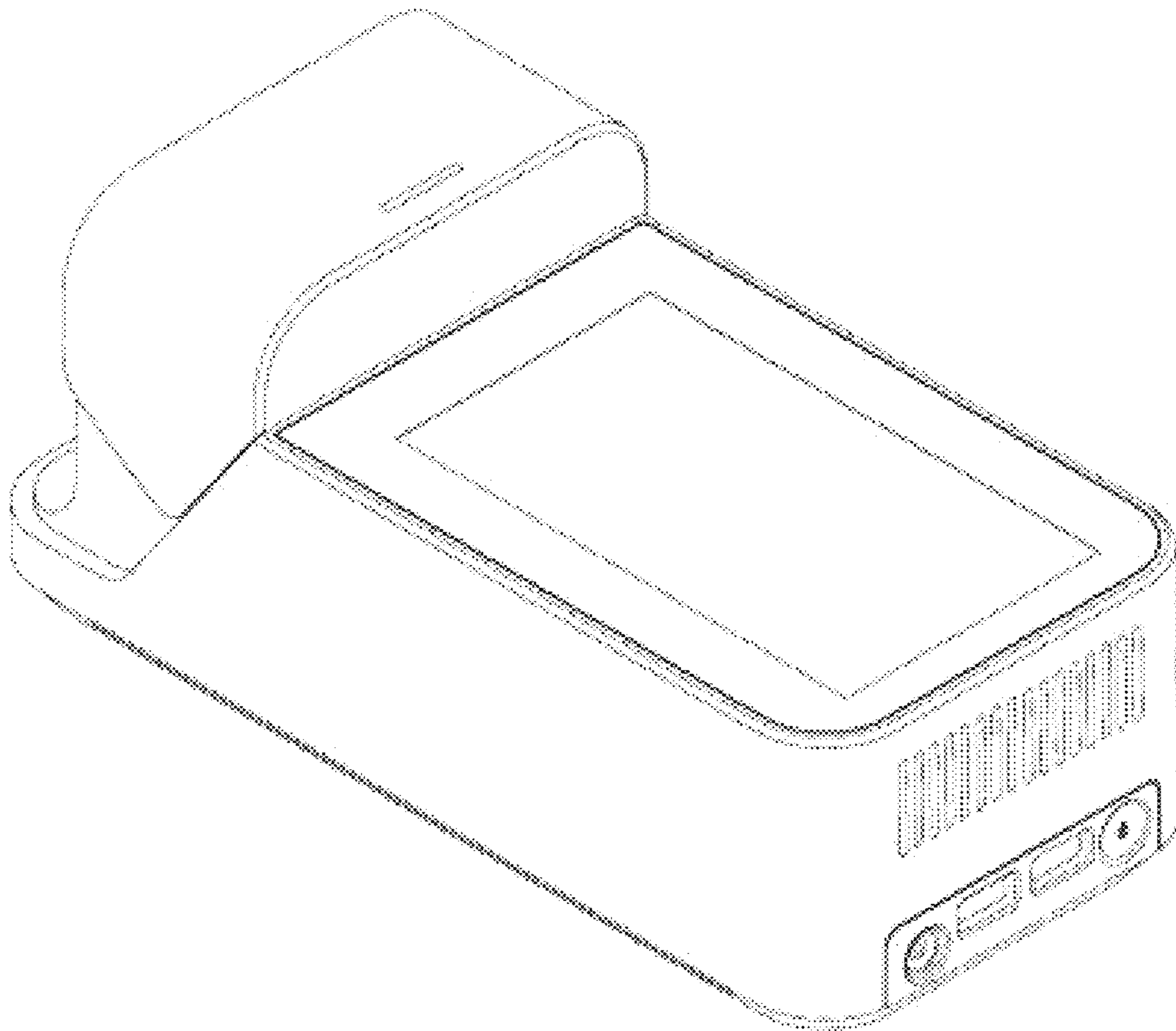


FIG. 16