



US00D908703S

(12) **United States Design Patent**  
**Huang**

(10) **Patent No.:** **US D908,703 S**

(45) **Date of Patent:** **\*\* Jan. 26, 2021**

(54) **ACTIVE STYLUS**

(71) Applicant: **Ling Huang**, Guangdong (CN)

(72) Inventor: **Ling Huang**, Guangdong (CN)

(\*\*) Term: **15 Years**

(21) Appl. No.: **29/696,185**

(22) Filed: **Jun. 26, 2019**

(51) **LOC (13) Cl.** ..... **14-02**

(52) **U.S. Cl.**  
USPC ..... **D14/411**

(58) **Field of Classification Search**  
USPC ..... D14/372, 496, 432, 371, 125, 126, 129,  
D14/299, 411; D16/300-342; 351/158,  
351/153, 144; 345/7-9, 905; 455/344;  
348/115, 53, 121, 739  
CPC ..... G02B 27/017; G06F 3/016; G06F 3/033;  
G06F 3/0317; G06F 3/03545; G06F  
3/041; G06K 9/222  
See application file for complete search history.

(56) **References Cited**

**U.S. PATENT DOCUMENTS**

D383,780 S *	9/1997	Young	.....	D19/166
D501,877 S *	2/2005	Granick	.....	D19/186
D641,755 S *	7/2011	Rashid	.....	D14/411
D660,910 S *	5/2012	Carpenter	.....	D19/133
D681,113 S *	4/2013	Huang	.....	D19/185

D685,430 S *	7/2013	Zhang	.....	D19/186
D688,665 S *	8/2013	Huang	.....	D14/411
D744,038 S *	11/2015	Wang	.....	D19/182
D768,133 S *	10/2016	Reed	.....	D14/411
D771,630 S *	11/2016	Akana	.....	D14/411
D797,741 S *	9/2017	Cebe	.....	D14/411
D825,566 S *	8/2018	Peterson	.....	D14/411
D851,704 S *	6/2019	Vadenne	.....	D19/195
D863,436 S *	10/2019	Thies	.....	D19/186
D864,298 S *	10/2019	Li	.....	D19/177
D879,778 S *	3/2020	Nakajima	.....	D14/411
D894,902 S *	9/2020	Nishida	.....	D14/411
D896,810 S *	9/2020	Akana	.....	D14/411

\* cited by examiner

*Primary Examiner* — Austin Murphy

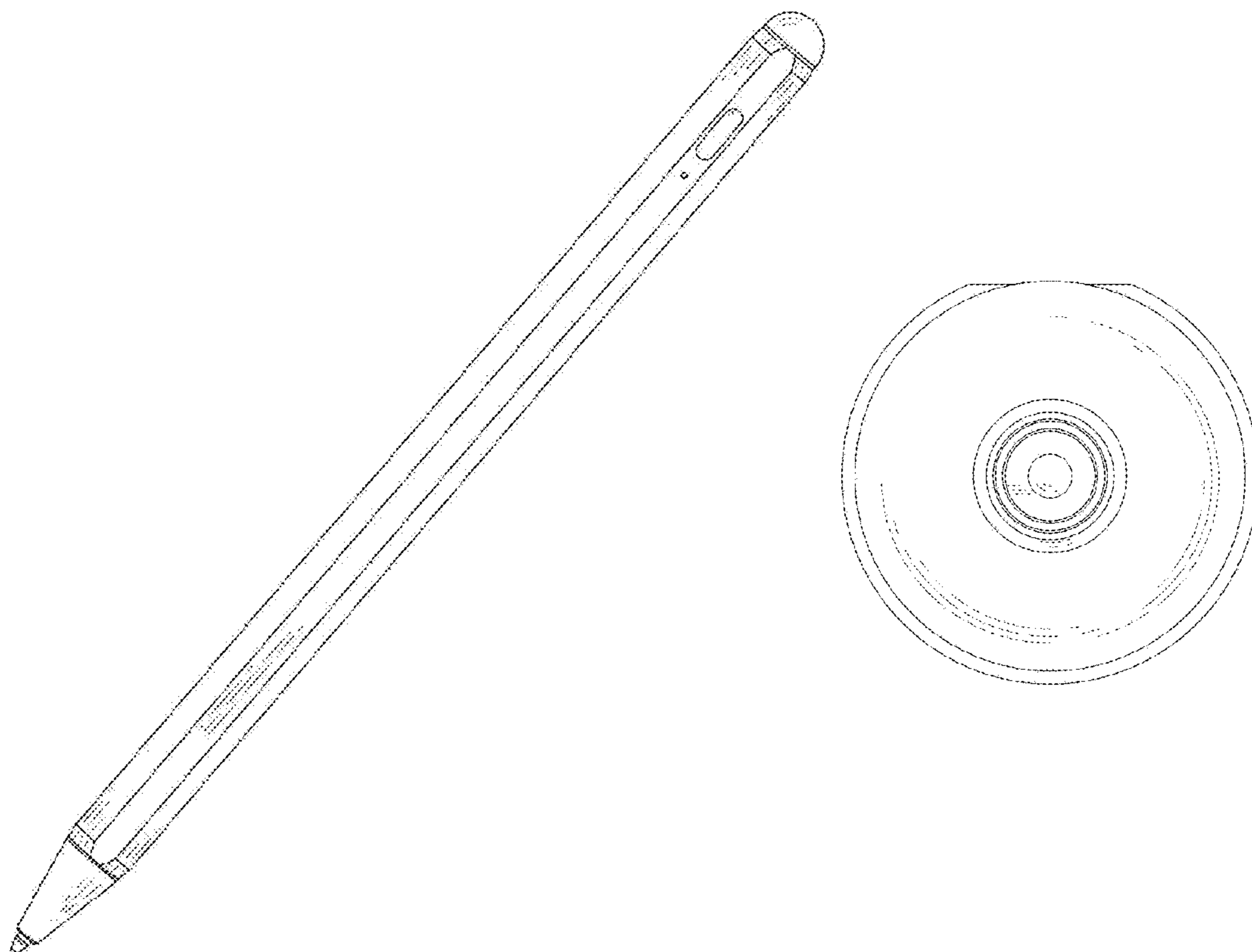
(57) **CLAIM**

The ornamental design for an active stylus, as shown and described.

**DESCRIPTION**

FIG. 1 is a perspective view of an active stylus showing my new design;  
FIG. 2 is a front elevation view thereof;  
FIG. 3 is a rear elevation view thereof;  
FIG. 4 is a left side elevation view thereof;  
FIG. 5 is a right side elevation view thereof;  
FIG. 6 is a top plan view thereof, shown enlarged in scale;  
and,  
FIG. 7 is a bottom plan view thereof, shown enlarged in scale.

**1 Claim, 7 Drawing Sheets**



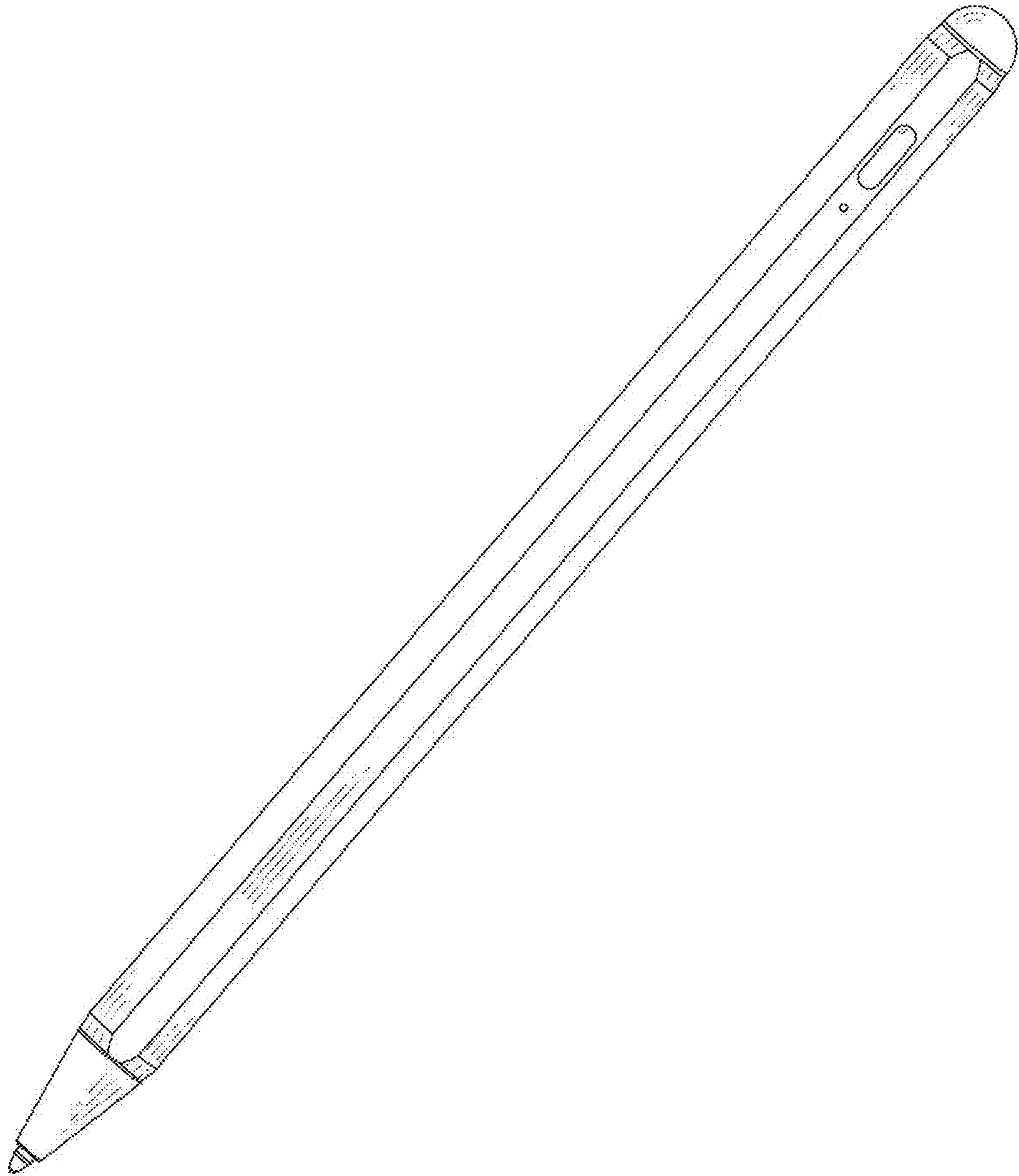


FIG.1

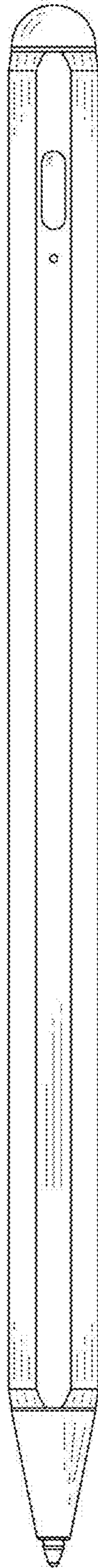


FIG.2



FIG.3



FIG.4



FIG. 5

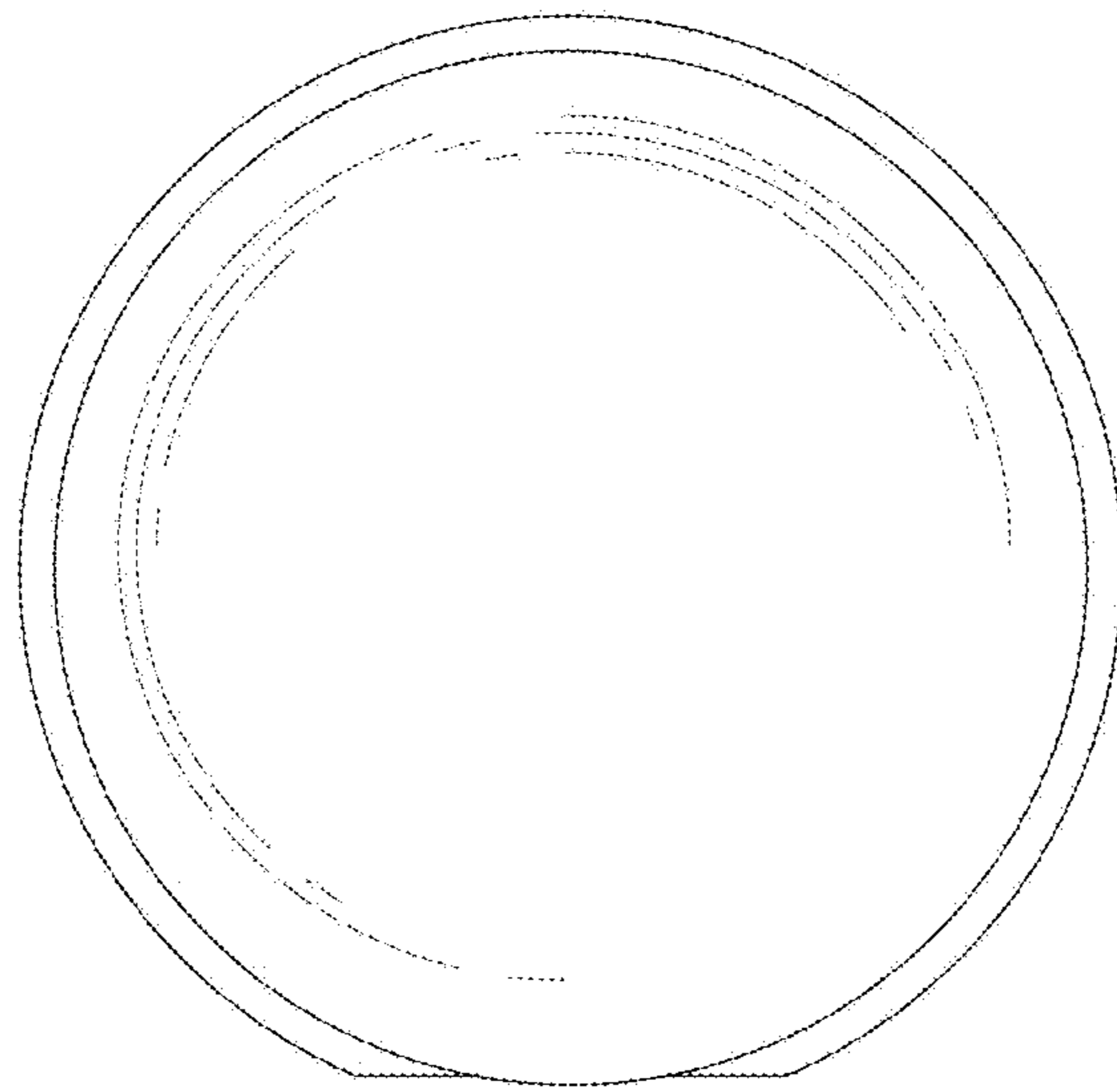


FIG. 6

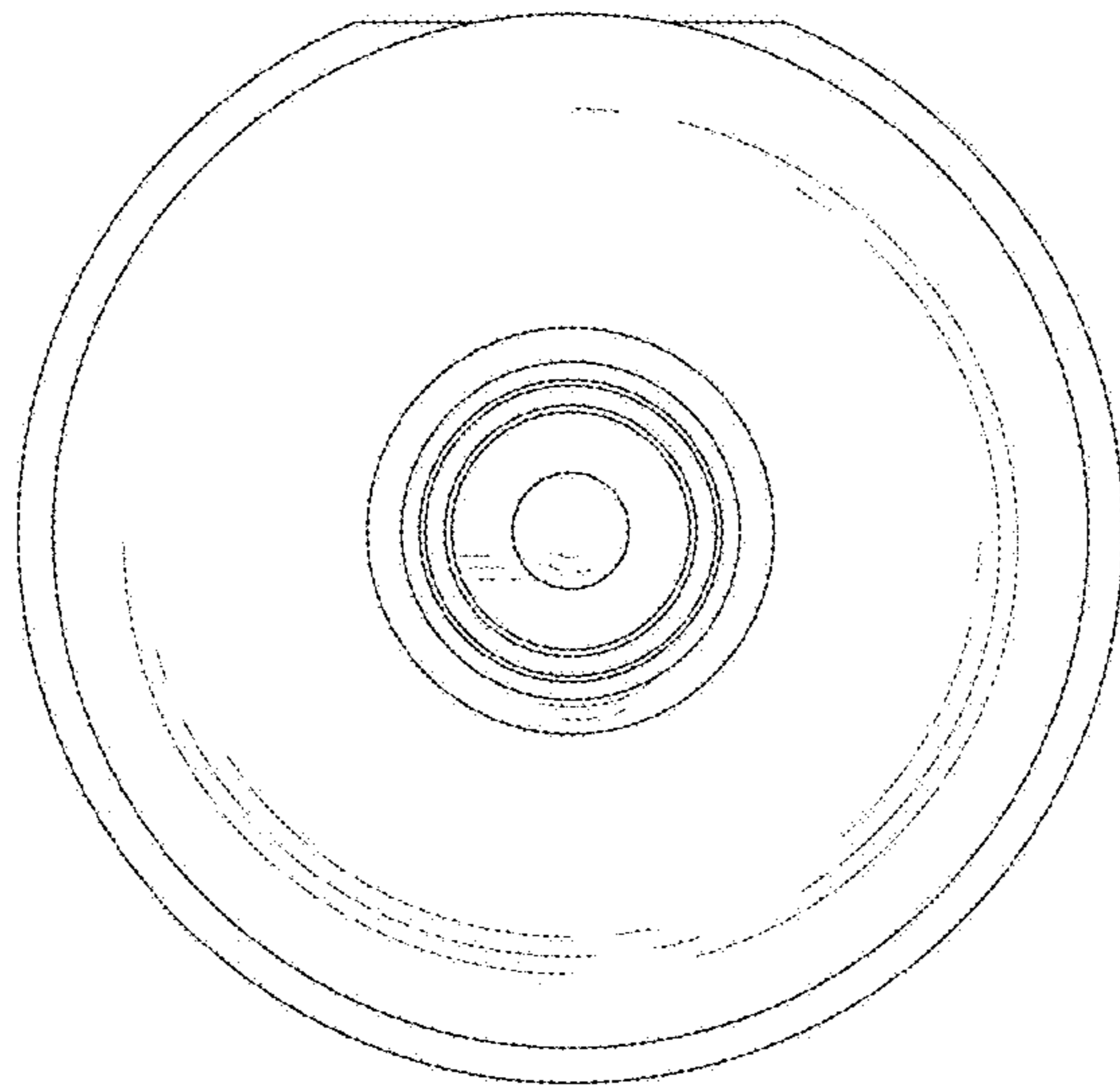


FIG. 7