



US00D908700S

(12) **United States Design Patent**
Chan

(10) **Patent No.:** **US D908,700 S**

(45) **Date of Patent:** **** Jan. 26, 2021**

- (54) **COMPUTER MOUSE**
- (71) Applicant: **Kye Systems Corp.**, New Taipei (TW)
- (72) Inventor: **Chi-Wai Chan**, HongKong (CN)
- (73) Assignee: **KYE SYSTEMS CORP.**, New Taipei (TW)

| | | | | |
|--------------|---------|----------------|-------|---------|
| D591,298 S * | 4/2009 | Huang | | D14/402 |
| D591,299 S * | 4/2009 | Chen | | D14/402 |
| D614,188 S * | 4/2010 | Wolff-Petersen | | D14/402 |
| D663,730 S * | 7/2012 | Kim | | D14/402 |
| D762,646 S * | 8/2016 | Chong | | D14/409 |
| D813,869 S * | 3/2018 | Hu | | D14/402 |
| D827,647 S * | 9/2018 | Chong | | D14/402 |
| D830,361 S * | 10/2018 | Jin | | D14/402 |
| D903,668 S * | 12/2020 | Carey | | D14/402 |
| D903,679 S * | 12/2020 | Xu | | D14/410 |

(**) Term: **15 Years**

* cited by examiner

(21) Appl. No.: **29/713,309**

Primary Examiner — Austin Murphy

(22) Filed: **Nov. 15, 2019**

(74) *Attorney, Agent, or Firm* — Bruce Stone LLP;
Joseph A. Bruce

(51) **LOC (13) Cl.** **14-03**

(52) **U.S. Cl.**
USPC **D14/402**

(57) **CLAIM**

The ornamental design for a computer mouse, as shown.

(58) **Field of Classification Search**
 USPC D14/402-411, 356, 388, 389, 383-385,
 D14/417, 426; 345/156-167; 463/36-38;
 358/471, 473; 273/148 B
 CPC G06F 3/03543; G06F 2203/0333; G06F
 3/039; G06F 3/038; G06F 2203/0384
 See application file for complete search history.

DESCRIPTION

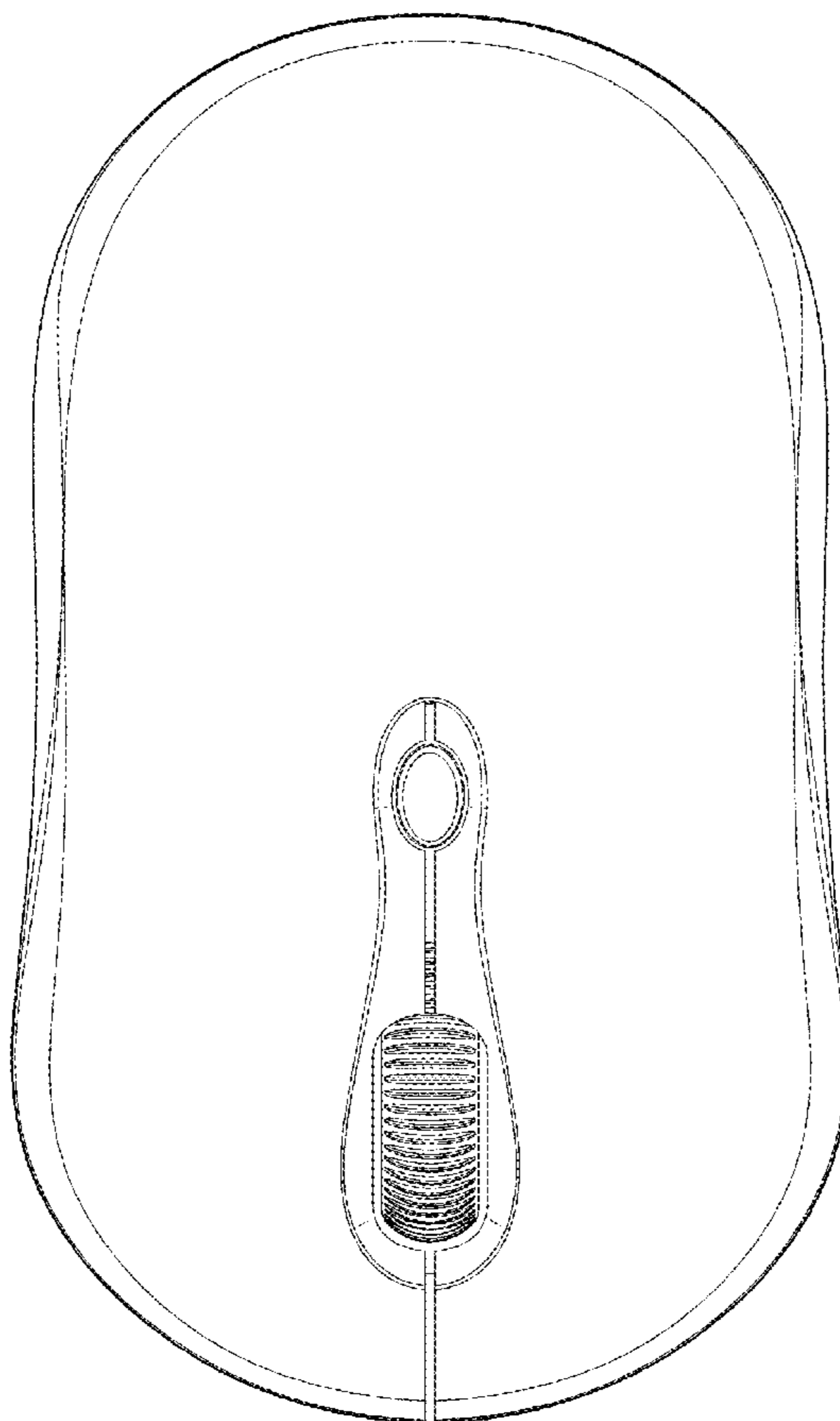
FIG. 1 is a front perspective view of a computer mouse showing my new design;
 FIG. 2 is a rear perspective view thereof;
 FIG. 3 is a front elevational view thereof;
 FIG. 4 is a rear elevational view thereof;
 FIG. 5 is a left side elevational view thereof;
 FIG. 6 is a right side elevational view thereof;
 FIG. 7 is a top plan view thereof; and,
 FIG. 8 is a bottom plan view thereof.

(56) **References Cited**

U.S. PATENT DOCUMENTS

| | | | | |
|--------------|---------|------|-------|---------|
| D471,198 S * | 3/2003 | Guo | | D14/402 |
| D513,259 S * | 12/2005 | Chen | | D14/402 |

1 Claim, 8 Drawing Sheets



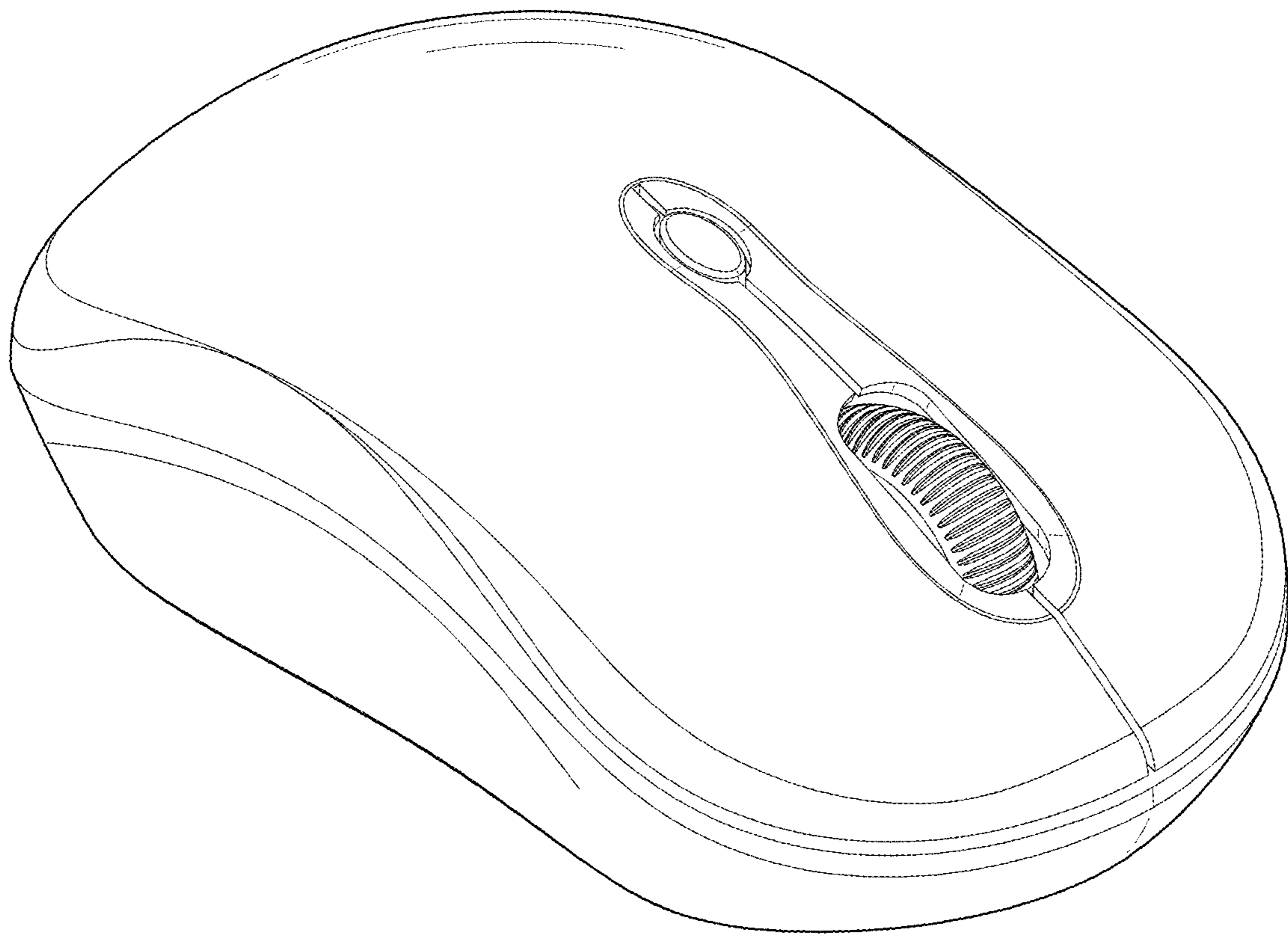


FIG.1

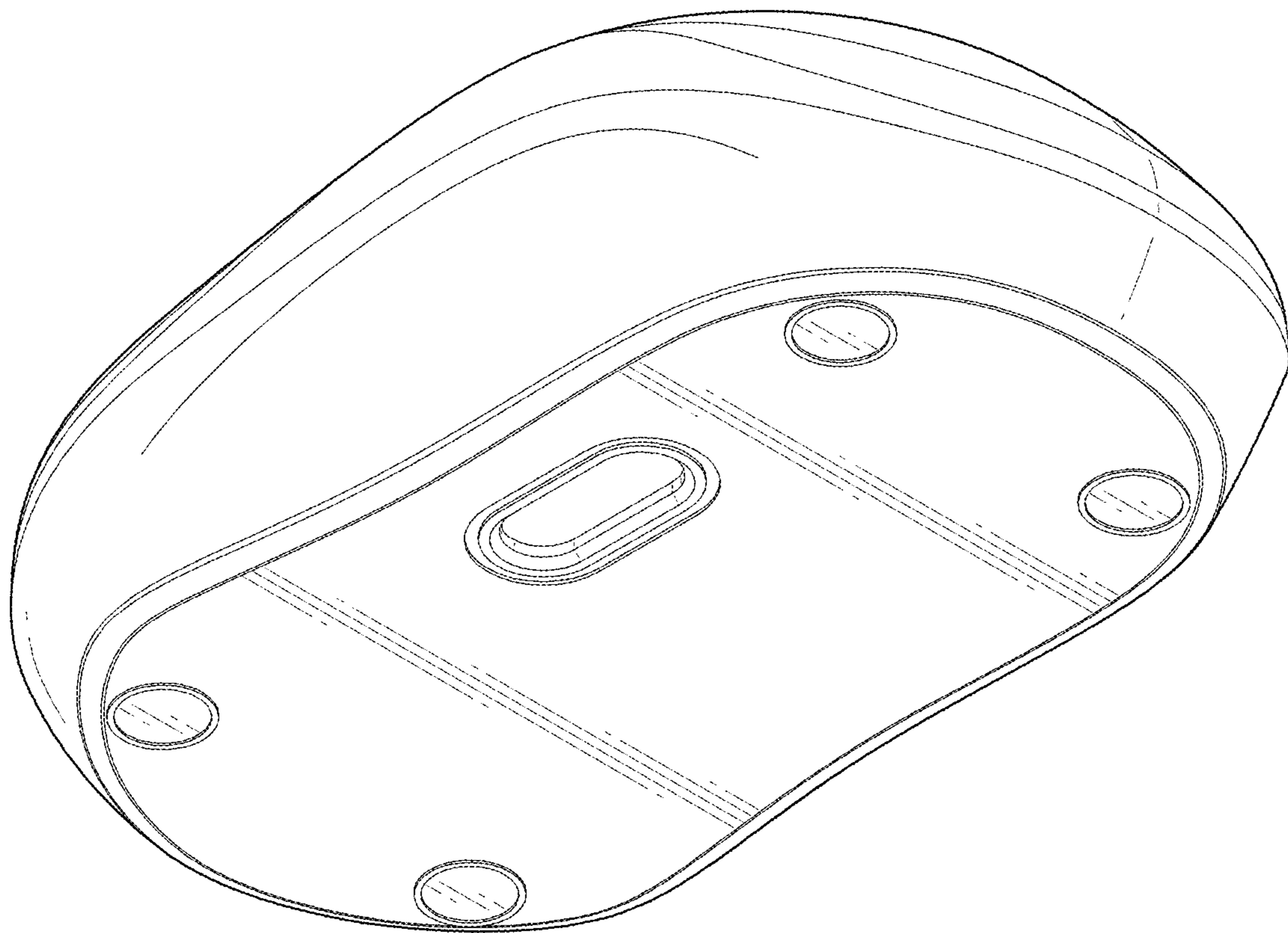


FIG.2

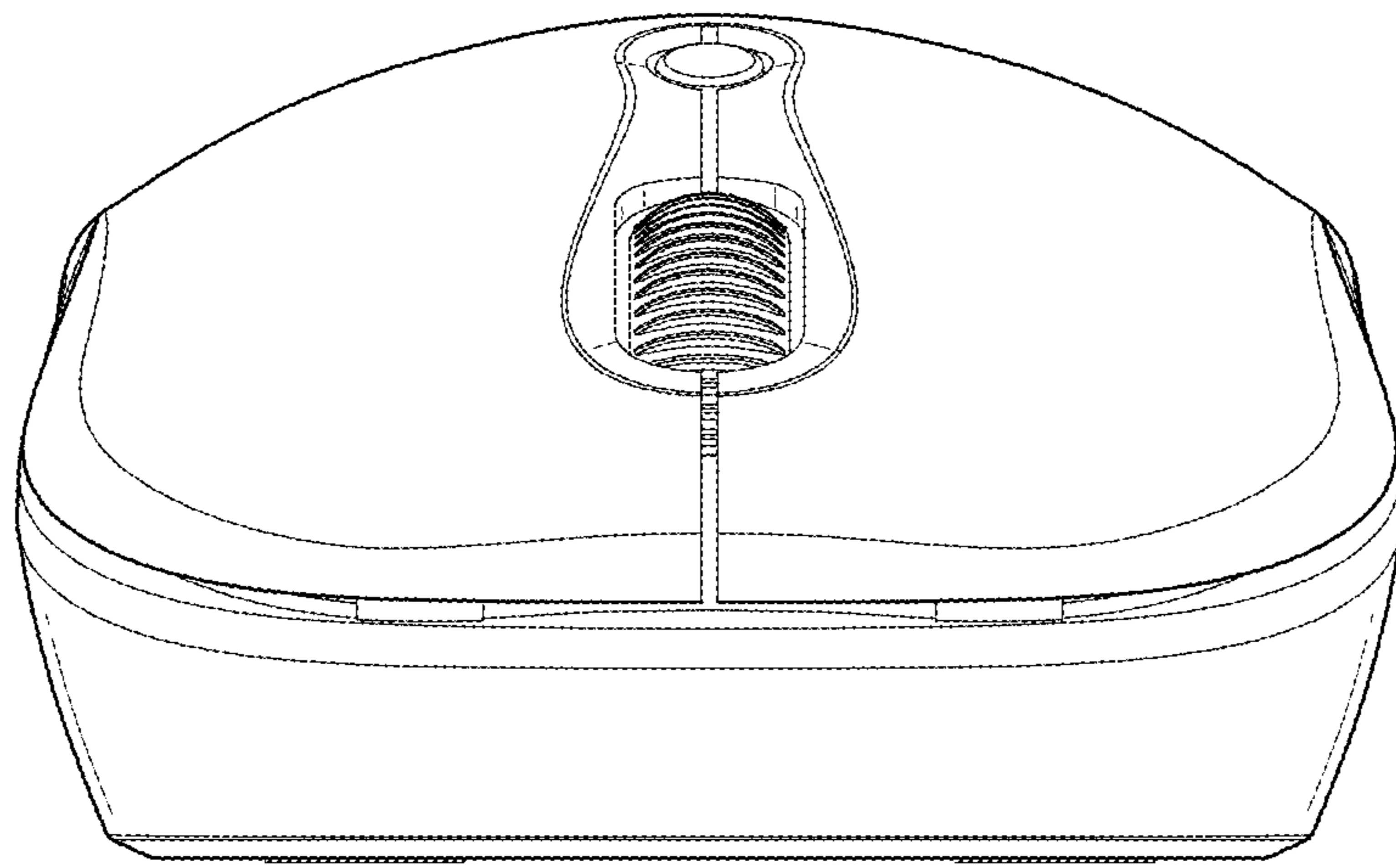


FIG.3

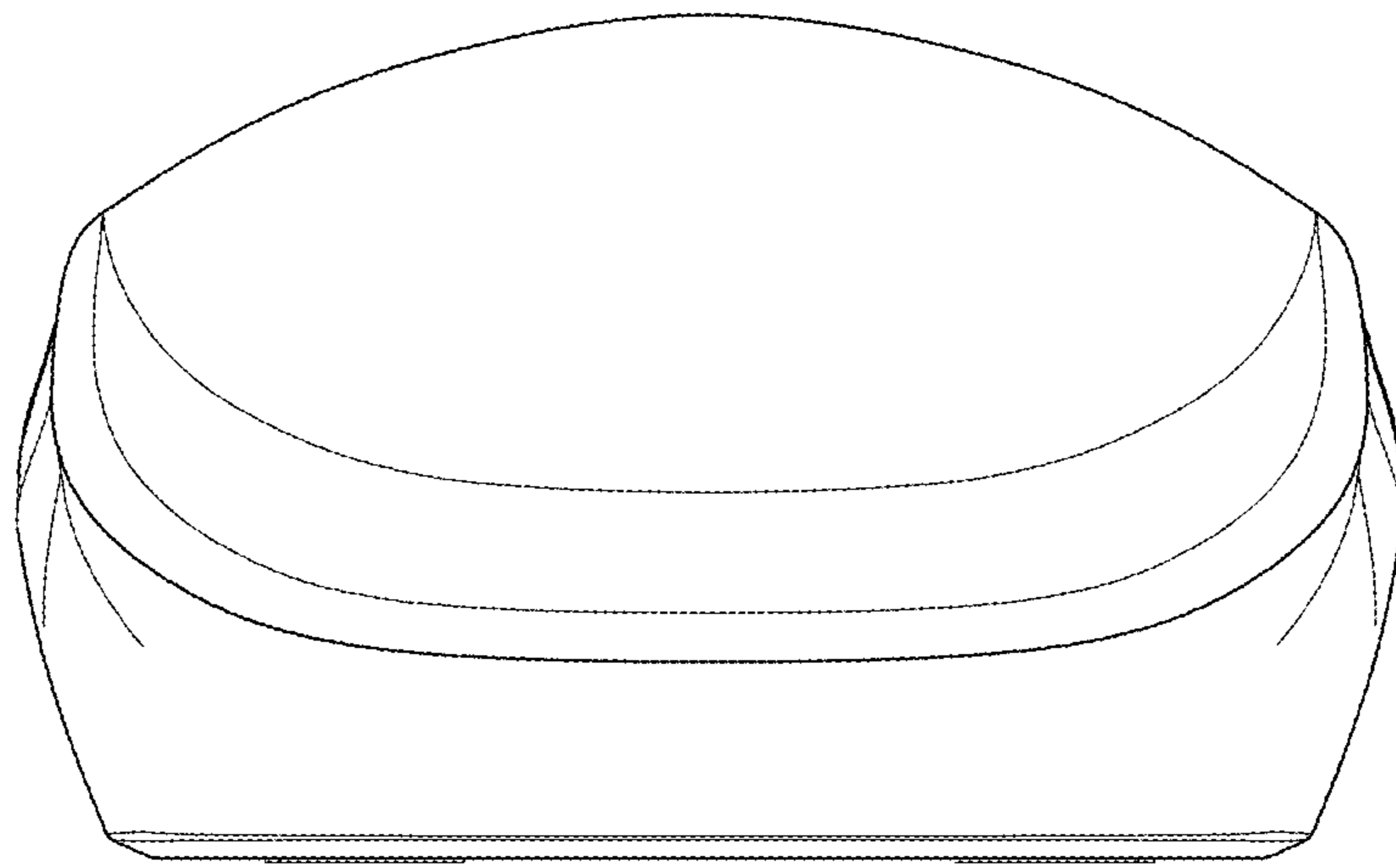


FIG.4

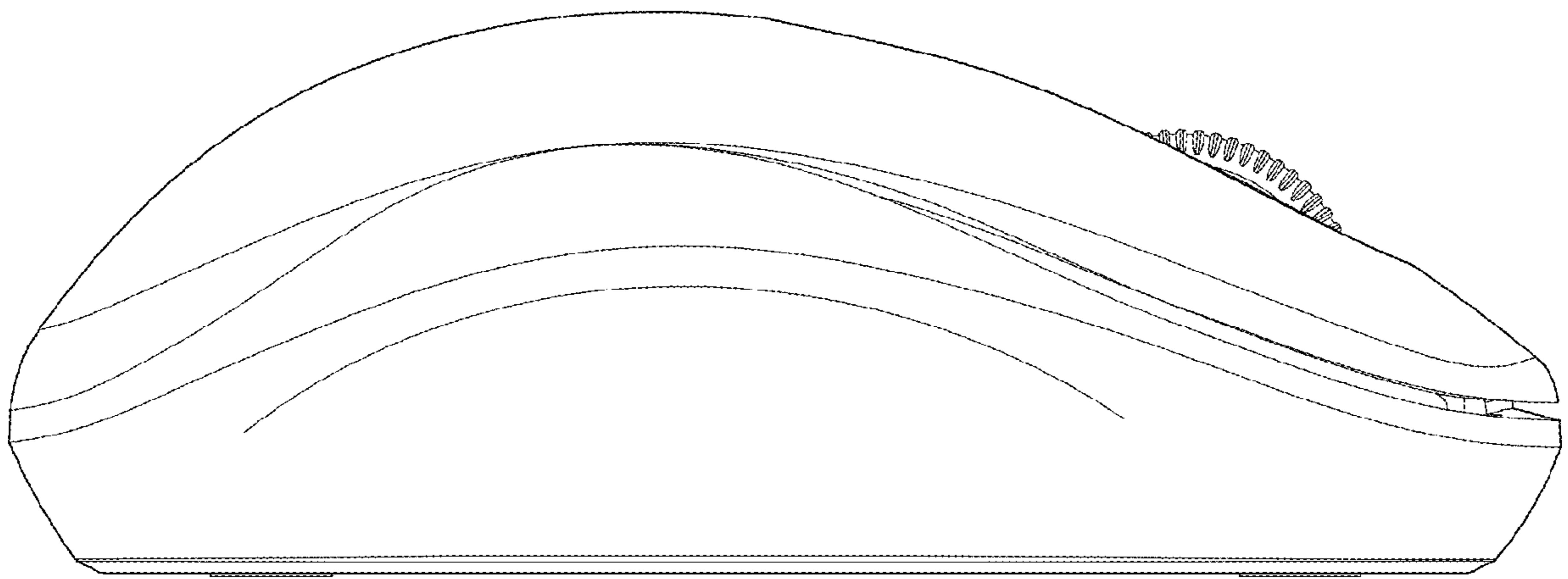


FIG.5

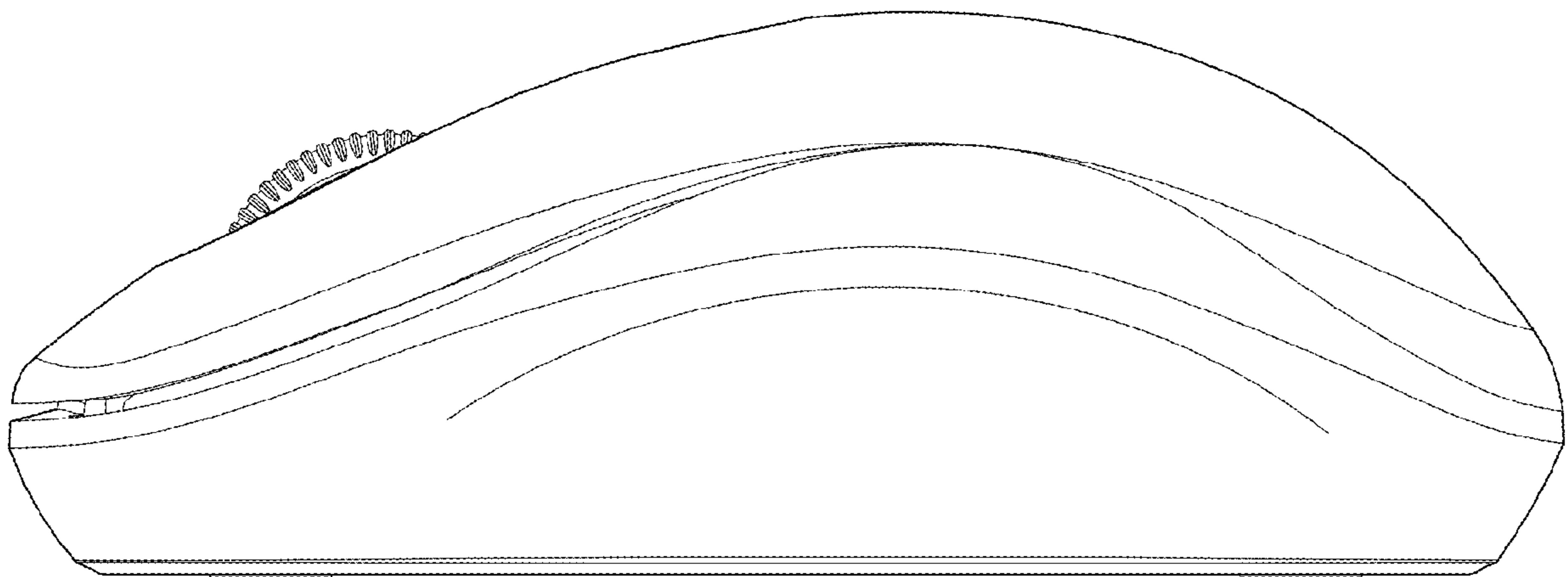


FIG.6

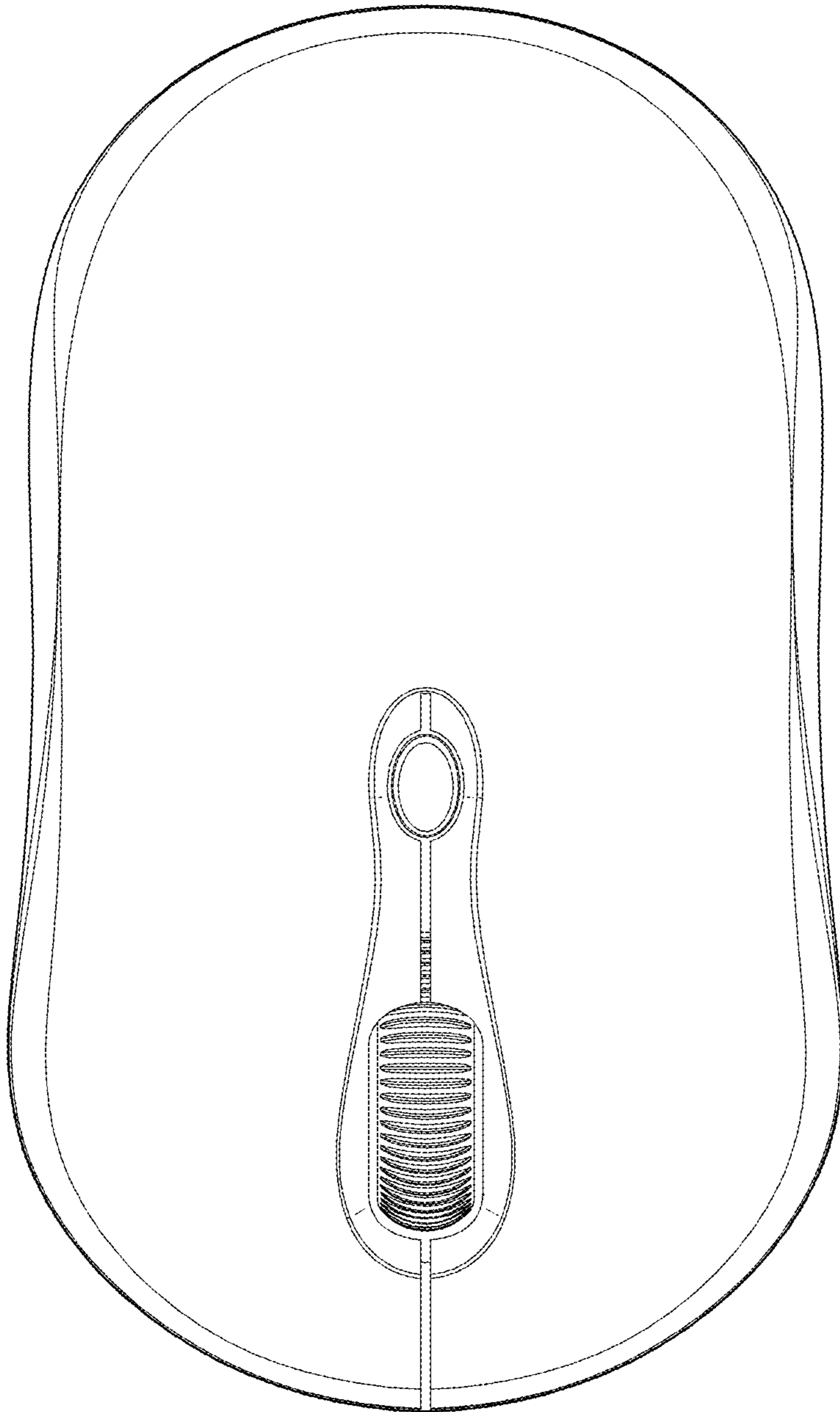


FIG. 7

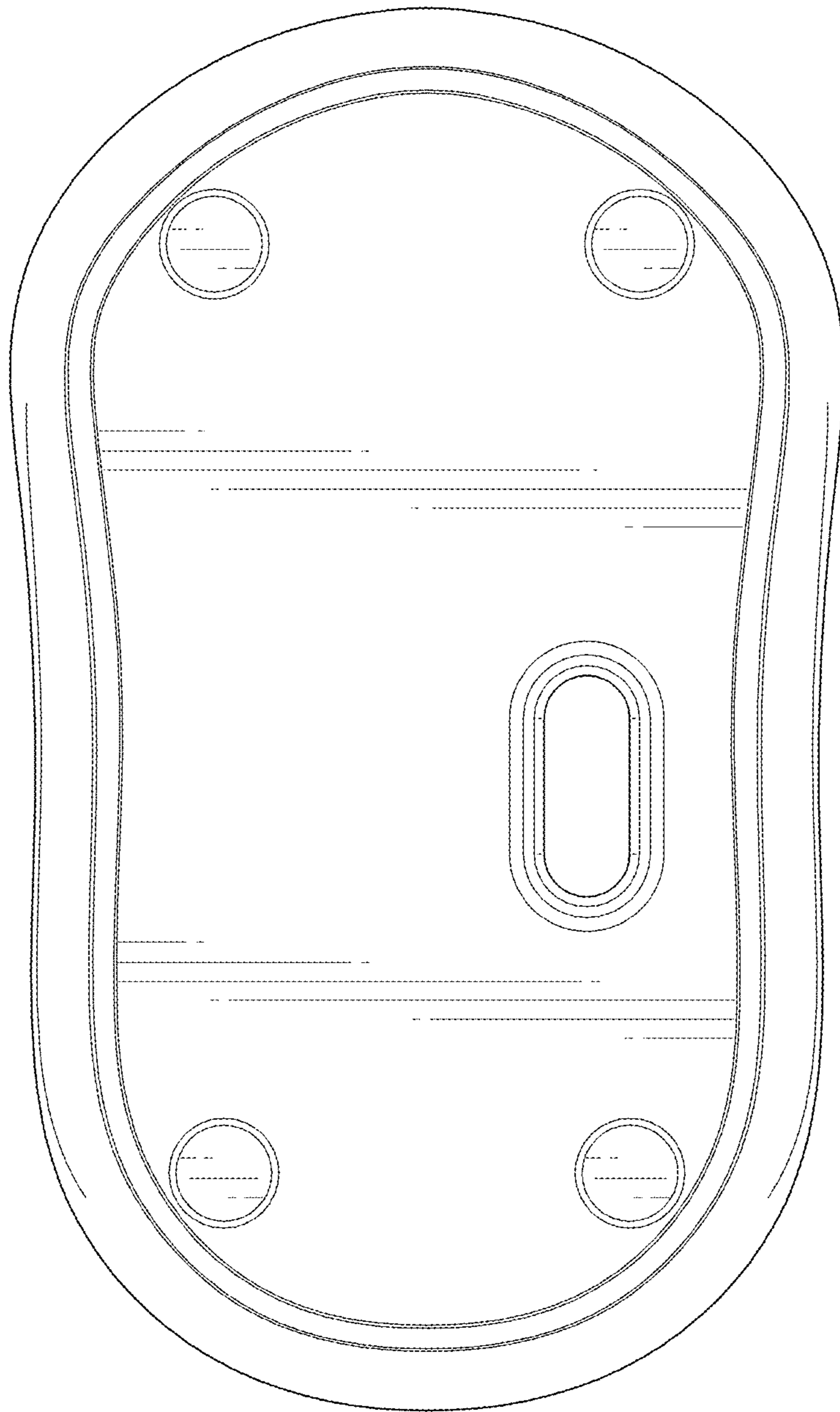


FIG.8