



US00D908696S

(12) **United States Design Patent** (10) **Patent No.:** **US D908,696 S**  
**Akana et al.** (45) **Date of Patent:** **\*\* Jan. 26, 2021**

(54) **ELECTRONIC DEVICE**

(71) Applicant: **Apple Inc.**, Cupertino, CA (US)  
(72) Inventors: **Jody Akana**, San Francisco, CA (US); **Bartley K. Andre**, Palo Alto, CA (US); **Jeremy Bataillou**, San Francisco, CA (US); **Daniel J. Coster**, San Francisco, CA (US); **Daniele De Iuliis**, San Francisco, CA (US); **M. Evans Hankey**, San Francisco, CA (US); **Richard P. Howarth**, San Francisco, CA (US); **Jonathan P. Ive**, San Francisco, CA (US); **Duncan Robert Kerr**, San Francisco, CA (US); **Shin Nishibori**, Kailua, HI (US); **Matthew Dean Rohrbach**, San Francisco, CA (US); **Peter Russell-Clarke**, San Francisco, CA (US); **Christopher J. Stringer**, Woodside, CA (US); **Eugene Antony Whang**, San Francisco, CA (US); **Rico Zörkendörfer**, San Francisco, CA (US)

(73) Assignee: **Apple Inc.**, Cupertino, CA (US)

(\*\*) Term: **15 Years**

(21) Appl. No.: **29/669,919**

(22) Filed: **Nov. 13, 2018**

**Related U.S. Application Data**

(63) Continuation of application No. 29/361,525, filed on May 12, 2010, now abandoned.

(51) **LOC (13) Cl.** ..... **14-02**

(52) **U.S. Cl.**  
USPC ..... **D14/389**

(58) **Field of Classification Search**  
USPC ..... D14/388-392, 336-340, 341-347, 374;  
D18/7

CPC ..... G06F 3/03547  
See application file for complete search history.

(56) **References Cited**

**U.S. PATENT DOCUMENTS**

D293,467 S 12/1987 Elkerbout  
D303,111 S 8/1989 Paley  
D310,209 S 8/1990 Kasprzycki  
D316,549 S 4/1991 Hampf  
D321,865 S 11/1991 Derocher

(Continued)

**FOREIGN PATENT DOCUMENTS**

KR 3002976250000 4/2002

*Primary Examiner* — Deanna L Pratt

(74) *Attorney, Agent, or Firm* — Saidman DesignLaw Group, LLC

(57) **CLAIM**

The ornamental design for an electronic device, as shown and described.

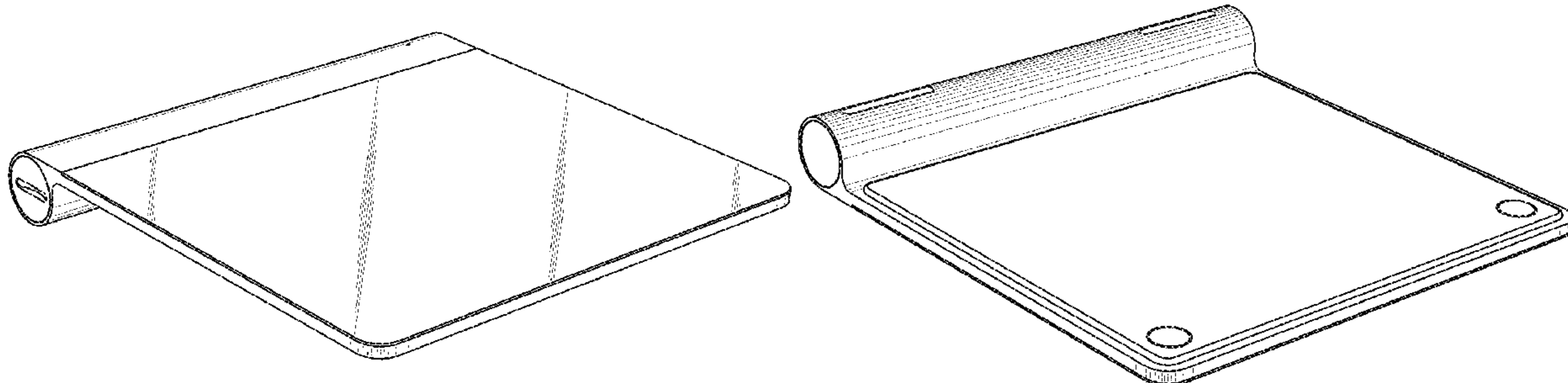
**DESCRIPTION**

FIG. 1 is a top, front perspective view of an electronic device showing our new design;  
FIG. 2 is a bottom, front perspective view thereof;  
FIG. 3 is a bottom, rear perspective view thereof;  
FIG. 4 is a rear, top perspective view thereof;  
FIG. 5 is a top view thereof;  
FIG. 6 is a right side view thereof;  
FIG. 7 is a bottom view thereof;  
FIG. 8 is a left side view thereof;  
FIG. 9 is a front view thereof; and,  
FIG. 10 is a rear view thereof.

The broken lines illustrate structure or features which form no part of the claimed design.

The drawings include surface shading which illustrates contour, not surface ornamentation. The oblique shading illustrates a transparent surface.

**1 Claim, 5 Drawing Sheets**



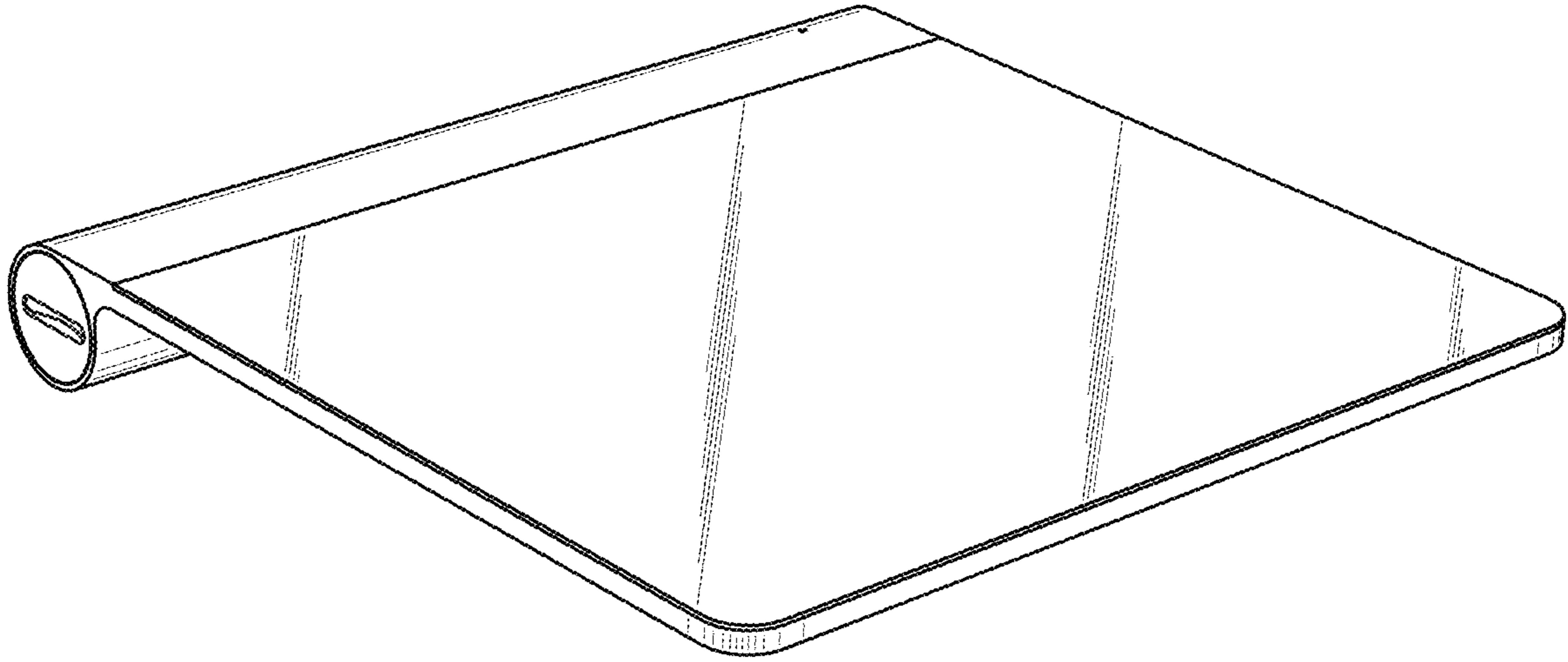
(56)

References Cited

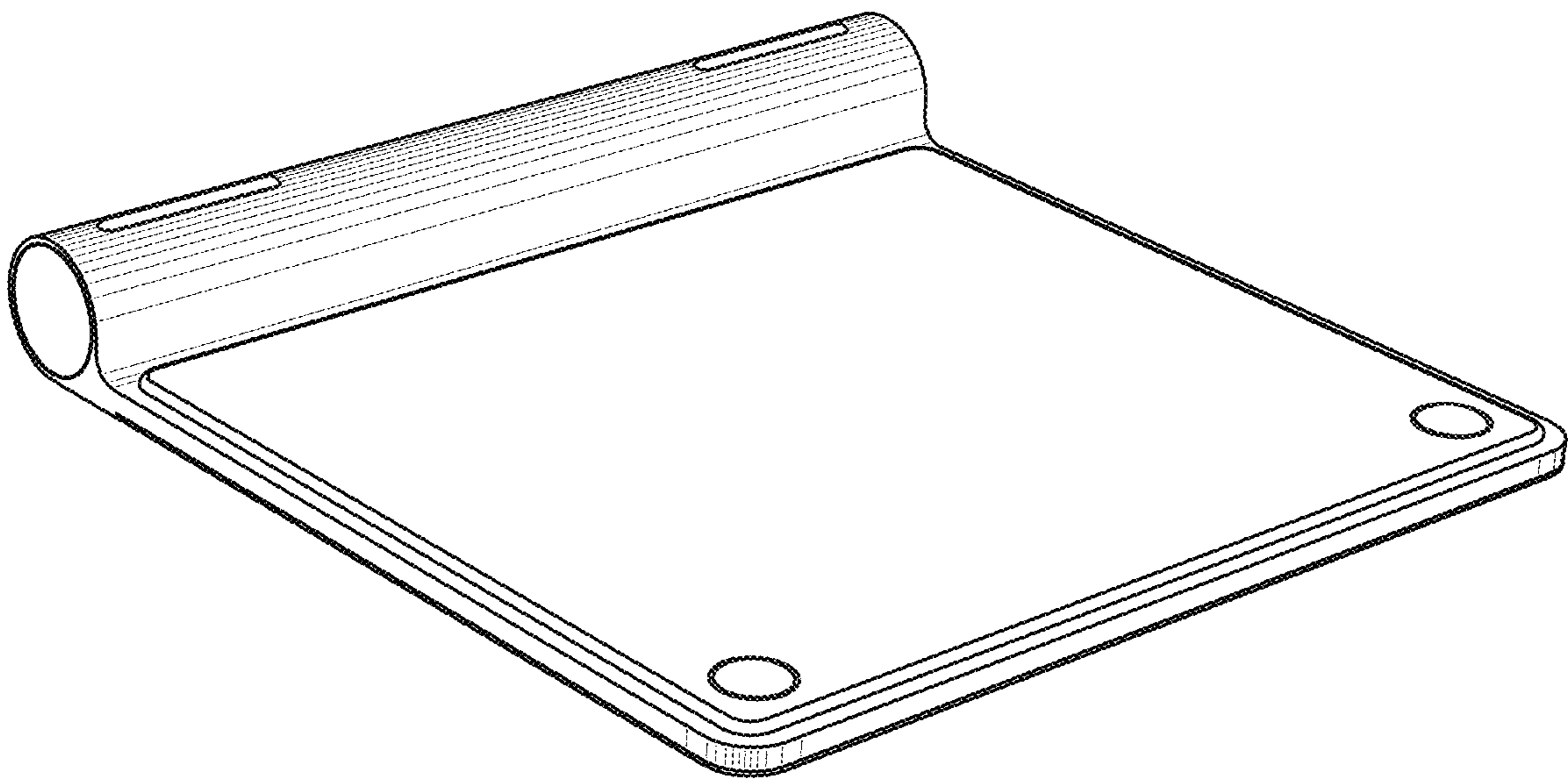
U.S. PATENT DOCUMENTS

D334,398 S	3/1993	Conard		D628,569 S	12/2010	Guo	
D338,452 S	8/1993	Allgeier		D629,216 S	12/2010	Stoddard	
D345,564 S	3/1994	Kadono et al.		D629,787 S	12/2010	Lee	
D356,548 S	3/1995	Bottcher et al.		D630,355 S	1/2011	Gulker	
D364,850 S	12/1995	Estrada et al.		D633,093 S	2/2011	Andre et al.	
D370,015 S	5/1996	Henderson		D633,498 S	3/2011	Andre et al.	
D374,693 S	10/1996	Osborne		D637,596 S	5/2011	Akana et al.	
D388,826 S	1/1998	Jones-Fenleigh et al.		D638,014 S	5/2011	Chong et al.	
D436,951 S	1/2001	Andresen		D638,835 S	5/2011	Akana et al.	
6,258,444 B1 *	7/2001	Muramoto	G06F 3/0395 248/346.01	D641,021 S	7/2011	Andre et al.	
D447,136 S	8/2001	Groves et al.		D649,549 S	11/2011	Andre et al.	
D449,606 S	10/2001	Lee et al.		D651,607 S	1/2012	Akana et al.	
D455,725 S	4/2002	Isono		D656,137 S *	3/2012	Chung	D14/341
D483,021 S	12/2003	Shih		D658,646 S *	5/2012	Akana et al.	
D483,361 S	12/2003	Yao et al.		D659,693 S *	5/2012	TerMeer	D14/342
D484,471 S	12/2003	Lin et al.		D664,144 S	7/2012	Akana et al.	
6,680,731 B2	1/2004	Gerpheide et al.		D667,404 S	9/2012	Akana et al.	
D504,889 S	5/2005	Andre et al.		D675,613 S *	2/2013	Chu	D14/341
D513,617 S	1/2006	Tierney		D684,581 S	6/2013	Akana et al.	
D515,447 S	2/2006	Gilliam		D690,692 S *	10/2013	Shin	D14/341
D529,910 S	10/2006	Ota		D691,132 S *	10/2013	Sharma	D14/341
D532,011 S	11/2006	Andre et al.		D692,420 S *	10/2013	McManigal	D14/341
7,167,158 B2	1/2007	Silverbrook		D714,286 S *	9/2014	Kim	D14/341
D537,420 S	2/2007	Tsai		D718,308 S *	11/2014	Nishizawa	D14/389
D541,298 S	4/2007	Andre et al.		D719,158 S	12/2014	Akana et al.	
D558,460 S	1/2008	Yu et al.		D744,484 S	12/2015	Huebner	
D560,227 S	1/2008	Bennett et al.		D748,630 S *	2/2016	Helwig	D14/389
D566,071 S	4/2008	Kaneko		D760,713 S *	7/2016	Sharma	D14/341
D566,706 S	4/2008	Andre et al.		D769,964 S *	10/2016	Lu	D14/399
D572,267 S	7/2008	Andre et al.		D772,861 S *	11/2016	Akana	D14/315
D576,618 S	9/2008	Wong		9,507,455 B2	11/2016	Uttermann et al.	
D584,303 S	1/2009	Andre et al.		9,778,680 B2 *	10/2017	Zheng	G06F 1/1601
D588,126 S	3/2009	Chiang et al.		9,798,409 B1 *	10/2017	Wells	G06F 3/0414
D592,625 S	5/2009	Hwang		9,857,912 B2	1/2018	Uttermann et al.	
7,548,220 B2	6/2009	Silverbrook		D812,130 S *	3/2018	Chen	D18/4.6
7,567,221 B2	7/2009	Silverbrook		D818,444 S *	5/2018	Clymer	D13/168
D597,979 S	8/2009	Trang et al.		D820,222 S *	6/2018	Clymer	D13/168
D598,451 S	8/2009	Andre et al.		D820,254 S *	6/2018	Wall	D14/341
D600,696 S	9/2009	Andre et al.		D823,303 S *	7/2018	Jiang	D14/345
D602,487 S	10/2009	Maskatia		D831,641 S *	10/2018	Wall	D14/341
D606,129 S	12/2009	Ben-Moshe		D834,012 S *	11/2018	Bolmstrand	D14/336
D609,203 S	2/2010	Birsel et al.		D834,437 S *	11/2018	Zhang	D10/106.95
D609,705 S	2/2010	Andre et al.		D834,979 S *	12/2018	Zhang	D10/106.95
D620,488 S	7/2010	Andre et al.		D854,612 S *	7/2019	Chen	D18/4.6
D620,953 S *	8/2010	Andre	D14/203.3	2002/0069364 A1 *	6/2002	Dosch	G06F 1/1626 726/26
D625,310 S	10/2010	Andre et al.		2011/0267266 A1 *	11/2011	Xiang	G06F 3/03547 345/157
D627,778 S	11/2010	Akana et al.		2012/0106047 A1 *	5/2012	Chu	G06F 1/166 361/679.01

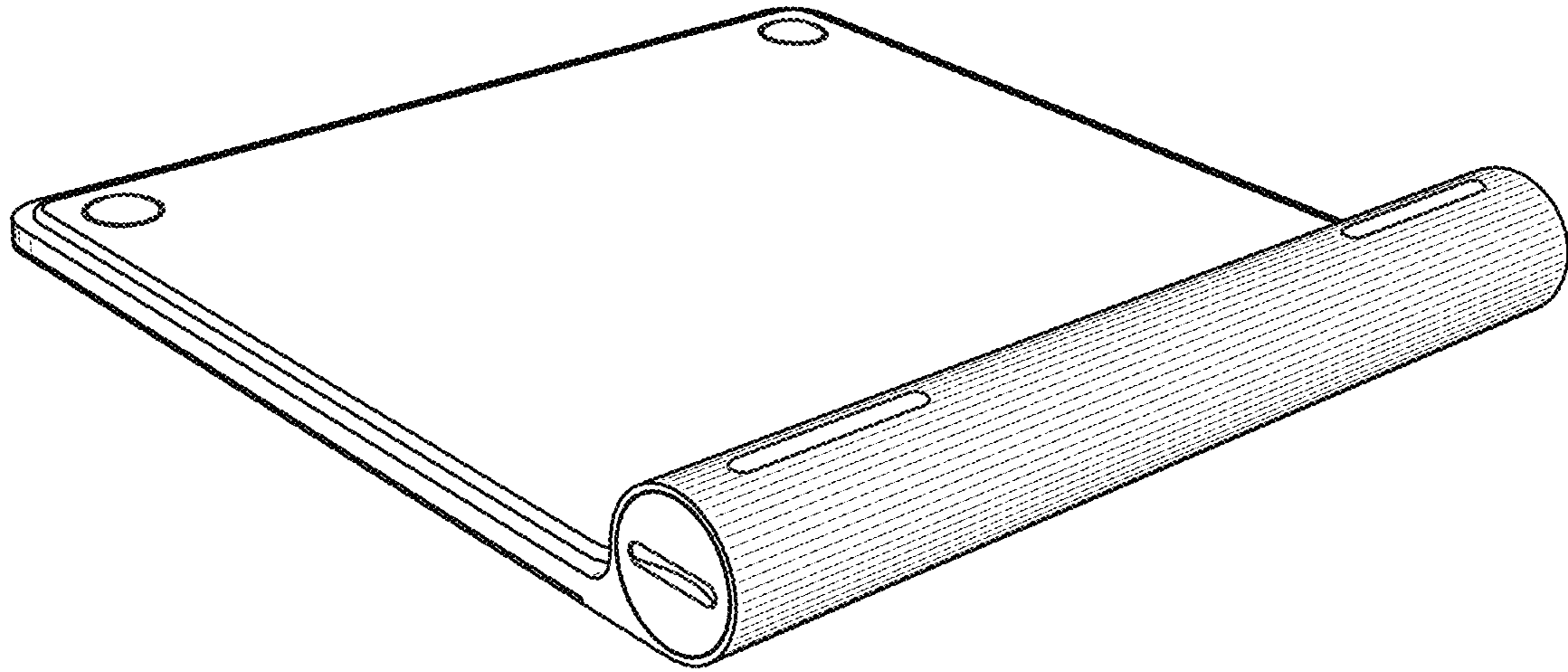
\* cited by examiner



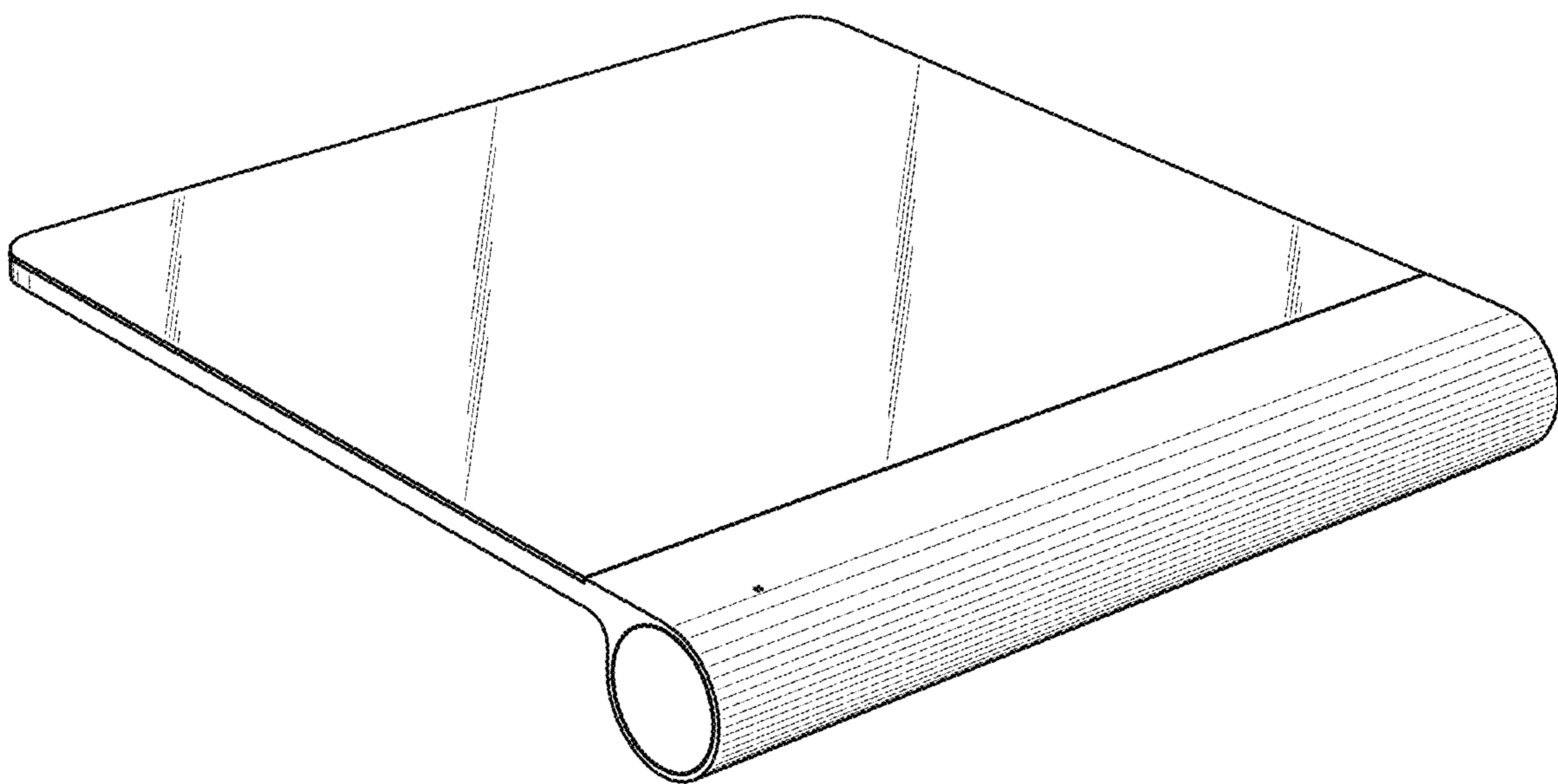
**Fig. 1**



**Fig. 2**



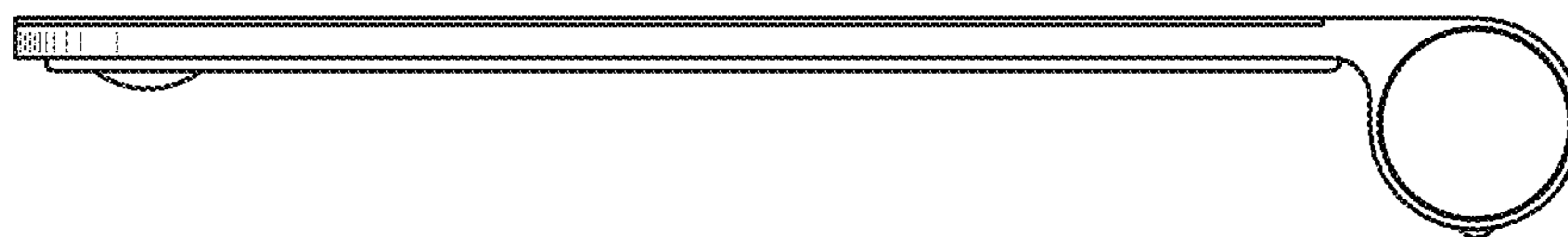
**Fig. 3**



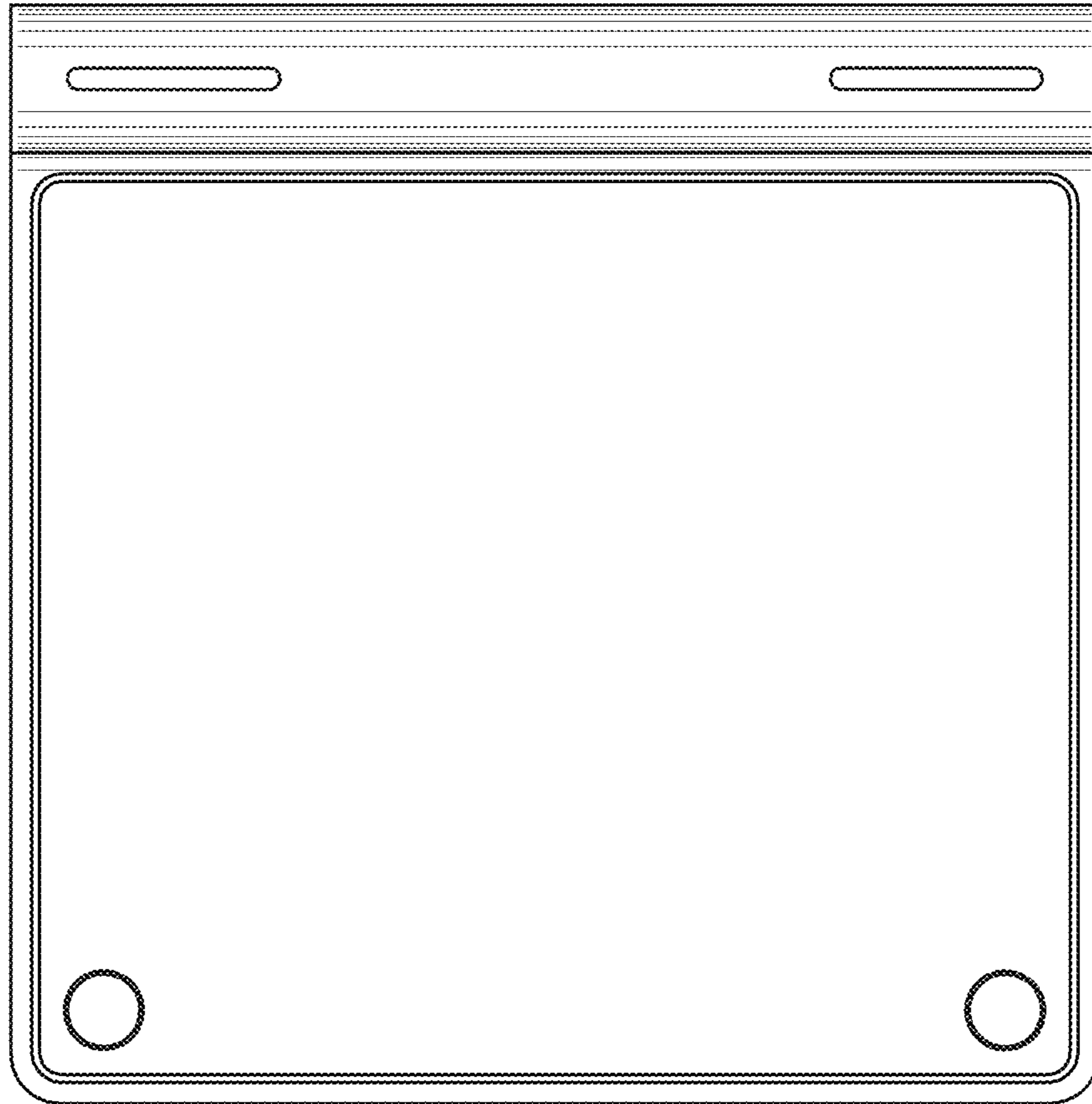
**Fig. 4**



**Fig. 5**



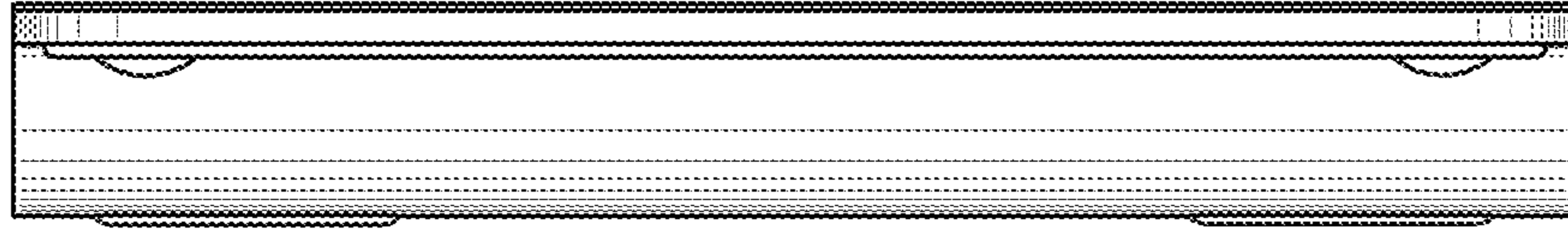
**Fig. 6**



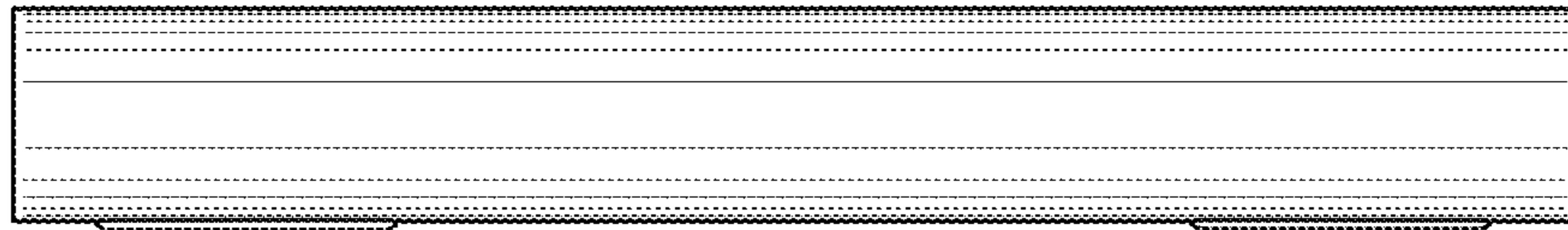
**Fig. 7**



**Fig. 8**



*Fig. 9*



*Fig. 10*

UNITED STATES PATENT AND TRADEMARK OFFICE  
**CERTIFICATE OF CORRECTION**

PATENT NO. : D908,696 S  
APPLICATION NO. : 29/669919  
DATED : January 26, 2021  
INVENTOR(S) : Jody Akana et al.

Page 1 of 1

It is certified that error appears in the above-identified patent and that said Letters Patent is hereby corrected as shown below:

On the Title Page

DESCRIPTION

Column 2, Lines 40-41 - delete:

“The broken lines illustrate structure or features which form no part of the claimed design.”

Signed and Sealed this  
Twenty-fifth Day of May, 2021



Drew Hirshfeld  
*Performing the Functions and Duties of the  
Under Secretary of Commerce for Intellectual Property and  
Director of the United States Patent and Trademark Office*