



US00D908694S

(12) **United States Design Patent** (10) **Patent No.:** **US D908,694 S**
Cebe (45) **Date of Patent:** **** Jan. 26, 2021**

(54) **TABLET**

FOREIGN PATENT DOCUMENTS

(71) Applicant: **Hewlett-Packard Development Company, L.P.**, Houston, TX (US)

EM 005624210-0001 * 11/2018

(72) Inventor: **Chrome Manley Cebe**, Palo Alto, CA (US)

OTHER PUBLICATIONS

(73) Assignee: **Hewlett-Packard Development Company, L.P.**, Spring, TX (US)

HP Spectre x2, announced Oct. 8, 2015 [online], [retrieved Sep. 28, 2020]. Available from Internet, URL: <https://www.techtoyreviews.com/hp-spectre-x2-hybrid-tablet-with-built-in-stand-priced-at-799/> (Year: 2015).*

(**) Term: **15 Years**

(Continued)

(21) Appl. No.: **29/640,902**

Primary Examiner — Dana K Weiland

(22) Filed: **Mar. 19, 2018**

(74) *Attorney, Agent, or Firm* — HPI Patent Department

(51) **LOC (13) Cl.** **14-02**

(57) **CLAIM**

(52) **U.S. Cl.**
USPC **D14/341**

The ornamental design for a tablet, as shown and described.

(58) **Field of Classification Search**
USPC D14/315–318, 341–347, 420, 426, 240, D14/129–130, 496, 137, 138 R, 138 AA, D14/138 AB, 138 AC, 138 AD, 138 C, D14/138 G, 147, 203.1–203.8, 218, 247, D14/371, 248, 388–389, 374, 429, 453; D6/310, 311; D10/104.1, 50, 65; D19/26, 59, 60; D21/324, 329, 330, 332
CPC G06F 1/1626; G06F 1/1613; G06F 3/0488; G06F 3/04886; G06F 3/041; G06F 3/0412; G06F 3/0416; H04M 1/725; H04M 1/0202; H04M 1/0266
See application file for complete search history.

DESCRIPTION

FIG. 1 is a top, front, left-side perspective view of a tablet in accordance with our new design;
FIG. 2 is a front elevational view of the tablet shown in FIG. 1;
FIG. 3 is a rear elevational view of the tablet shown in FIG. 1;
FIG. 4 is a left-side elevational view of the tablet shown in FIG. 1;
FIG. 5 is a right-side elevational view of the tablet shown in FIG. 1;
FIG. 6 is a top plan view of the tablet shown in FIG. 1;
FIG. 7 is a bottom plan view of the tablet shown in FIG. 1;
and,
FIG. 8 is a top, rear, right-side perspective view of the tablet shown in FIG. 1.
The broken lines immediately adjacent to the shaded area represent the bounds of the claimed design while all other broken lines show portions of the tablet; the broken lines form no part of the claimed design.

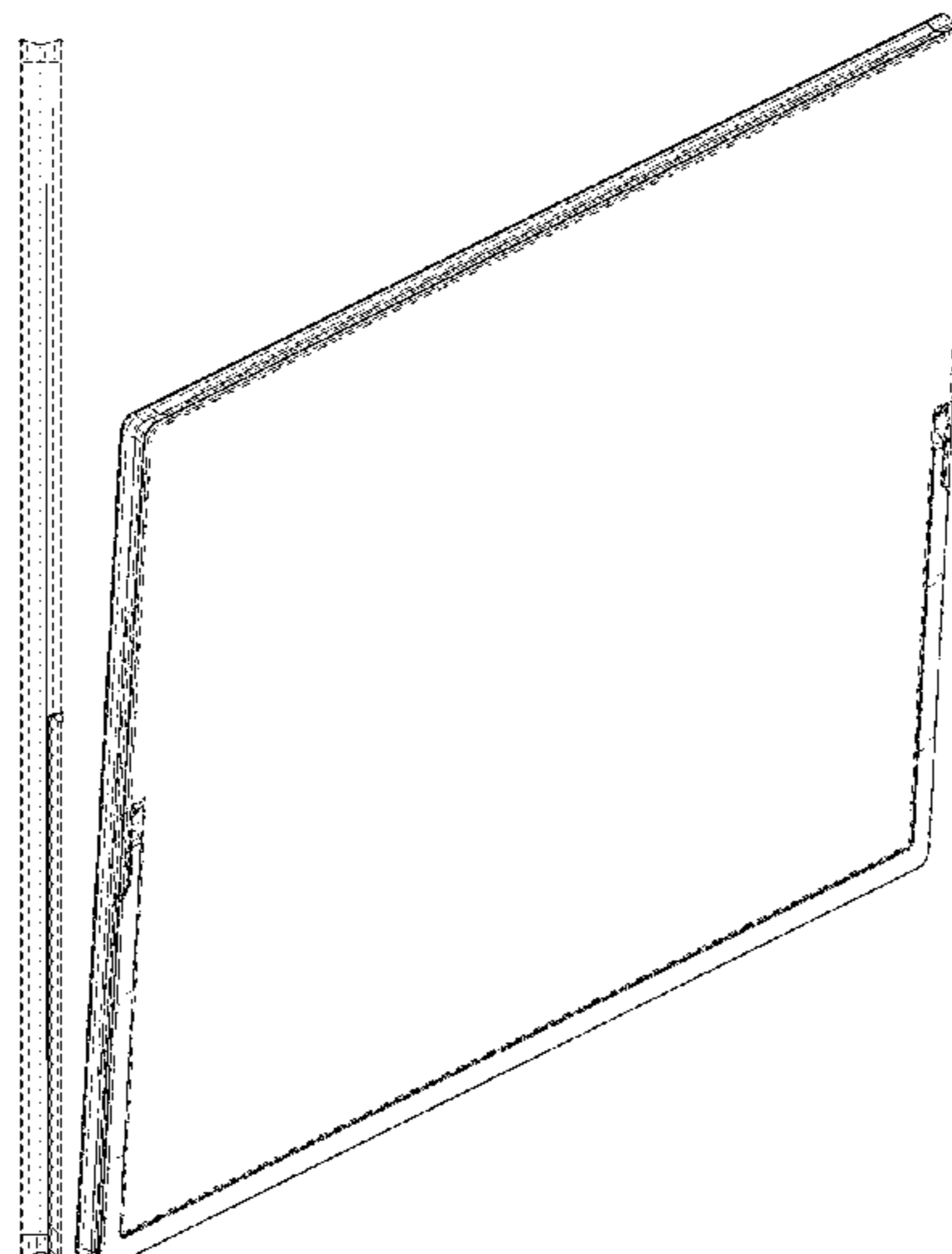
(56) **References Cited**

U.S. PATENT DOCUMENTS

D739,402 S * 9/2015 Seoc D14/341
D747,308 S * 1/2016 Myung D14/341
D750,616 S * 3/2016 Liang D14/318
D754,655 S * 4/2016 Groene D14/341
D780,174 S * 2/2017 Park D14/341
D781,291 S * 3/2017 Hu D14/374
D782,469 S * 3/2017 Raken D14/341

(Continued)

1 Claim, 6 Drawing Sheets



(56)

References Cited

U.S. PATENT DOCUMENTS

D782,470 S * 3/2017 Raken D14/341
D783,625 S * 4/2017 Okuley D14/447
D789,356 S * 6/2017 Cebe D14/341
D824,914 S * 8/2018 Okuley D14/447
D826,930 S * 8/2018 Iida D14/341
D864,974 S * 10/2019 Groiss D14/447
D872,077 S * 1/2020 Raken D14/341
D888,707 S * 6/2020 Wolff D14/315
D898,737 S * 10/2020 Chen D14/345
2016/0094691 A1 * 3/2016 Okuley H04M 1/0254
455/575.1
2019/0011952 A1 * 1/2019 Galipeau F16M 11/041

OTHER PUBLICATIONS

HP Elite x2 G4, announced May 28, 2019 [online], [retrieved Sep. 28, 2020]. Available from Internet, URL: <<https://www.notebookcheck.net/HP-Elite-x2-G4-detachable-will-be-over-two-times-brighter-than-the-Microsoft-Surface-Pro-6.421567.0.html>> (Year: 2019).*

HP Elite x2 1013 G3 Tablet Review, announced Oct. 5, 2018 [online], [retrieved Sep. 28, 2020]. Available from Internet, URL: <https://www.youtube.com/watch?v=4gr_xmb1Pao> (Year: 2018).*

* cited by examiner

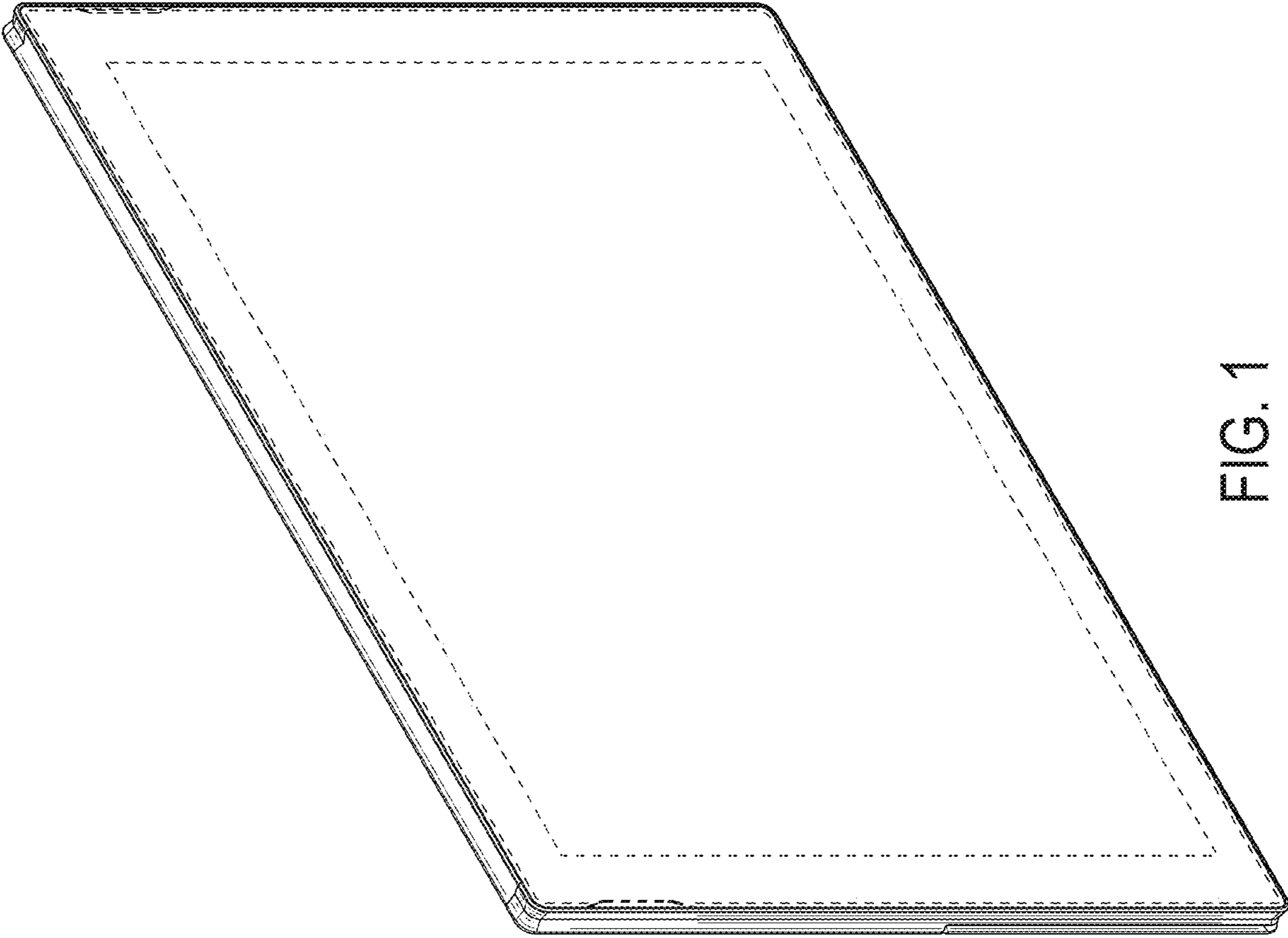


FIG. 1



FIG. 2

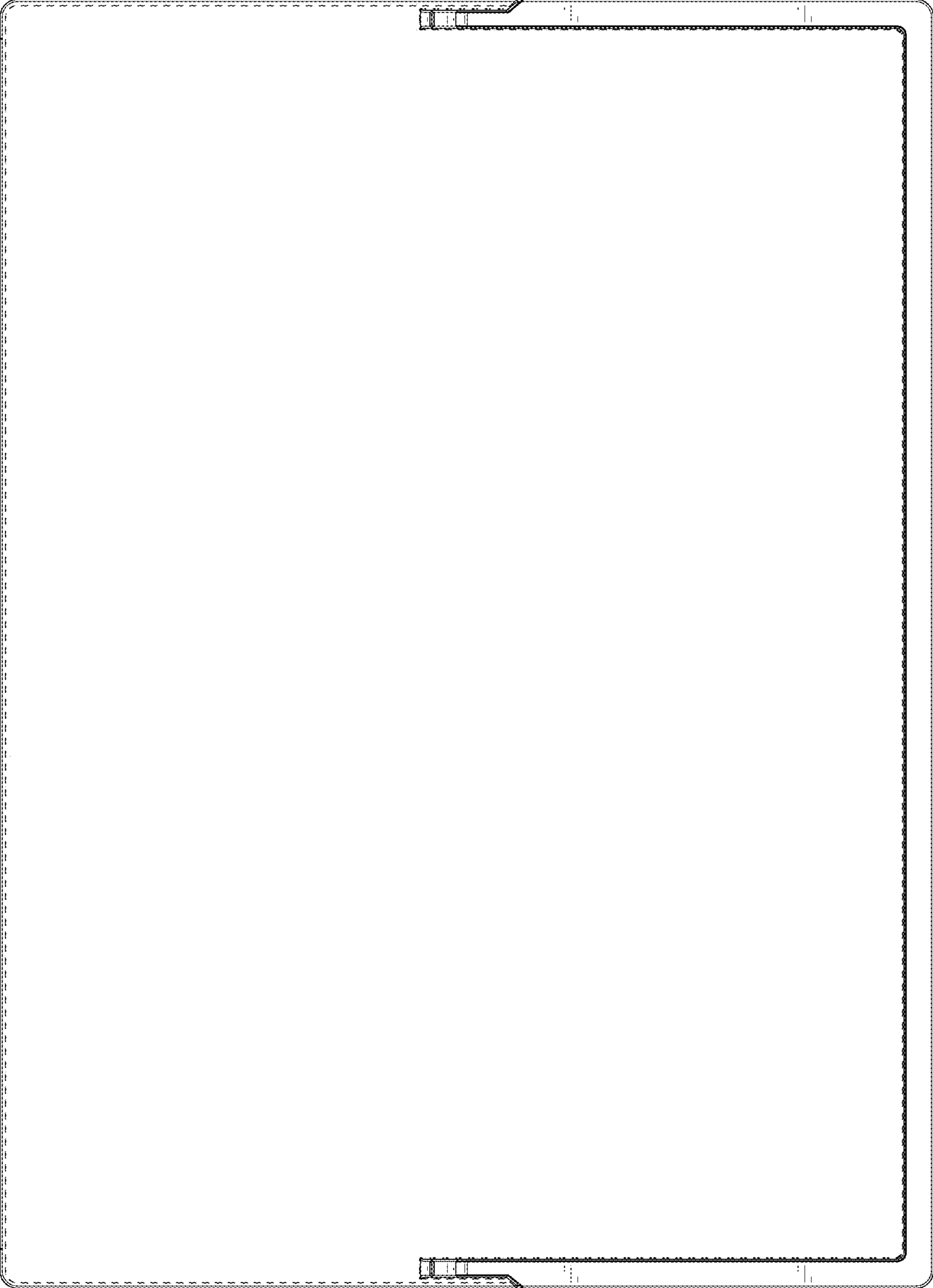


FIG. 3

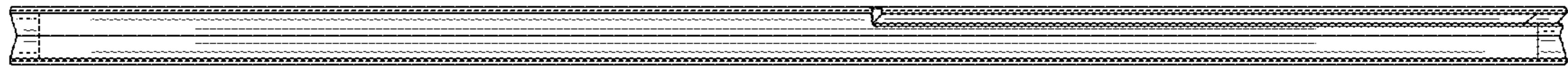


FIG. 5

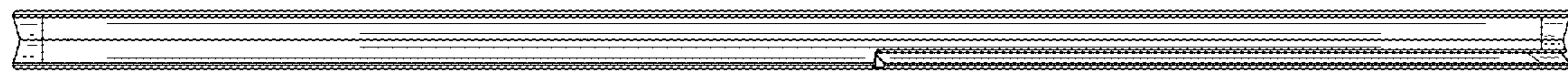


FIG. 4

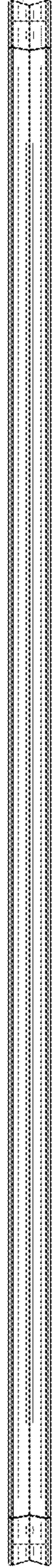


FIG. 6



FIG. 7

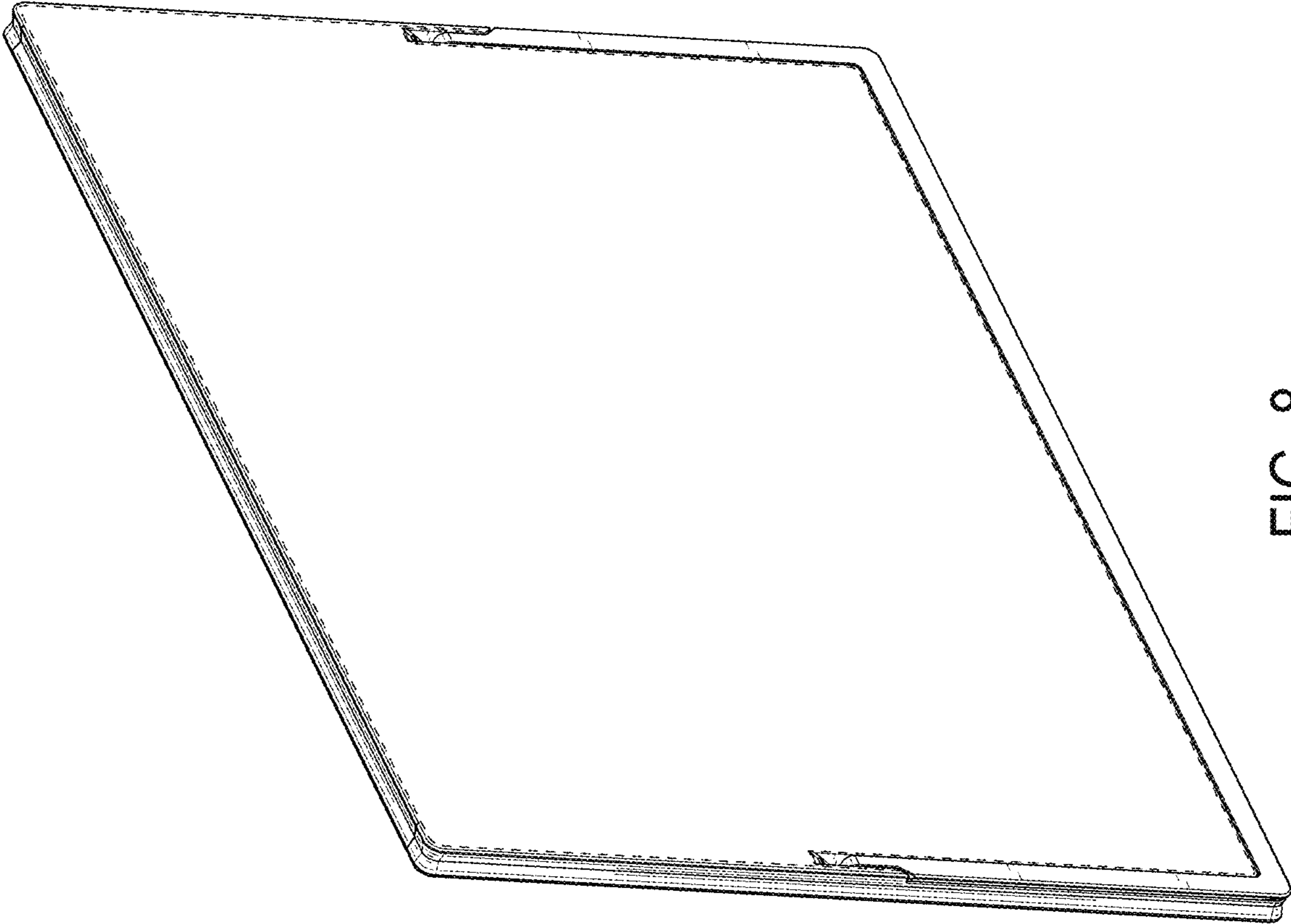


FIG. 8