



US00D908693S

(12) **United States Design Patent** (10) **Patent No.:** **US D908,693 S**
Biddle et al. (45) **Date of Patent:** **** *Jan. 26, 2021**

(54) **ELECTRONIC DEVICE**

(71) Applicant: **Amazon Technologies, Inc.**, Seattle, WA (US)

(72) Inventors: **Jonathan Howard Biddle**, San Francisco, CA (US); **Jun Yang**, Shenzhen (CN); **Robert Brian Curtis**, San Francisco, CA (US)

(73) Assignee: **Amazon Technologies, Inc.**, Seattle, WA (US)

(*) Notice: This patent is subject to a terminal disclaimer.

(**) Term: **15 Years**

(21) Appl. No.: **29/598,854**

(22) Filed: **Mar. 29, 2017**

(51) **LOC (13) Cl.** **14-02**

(52) **U.S. Cl.**
USPC **D14/341**

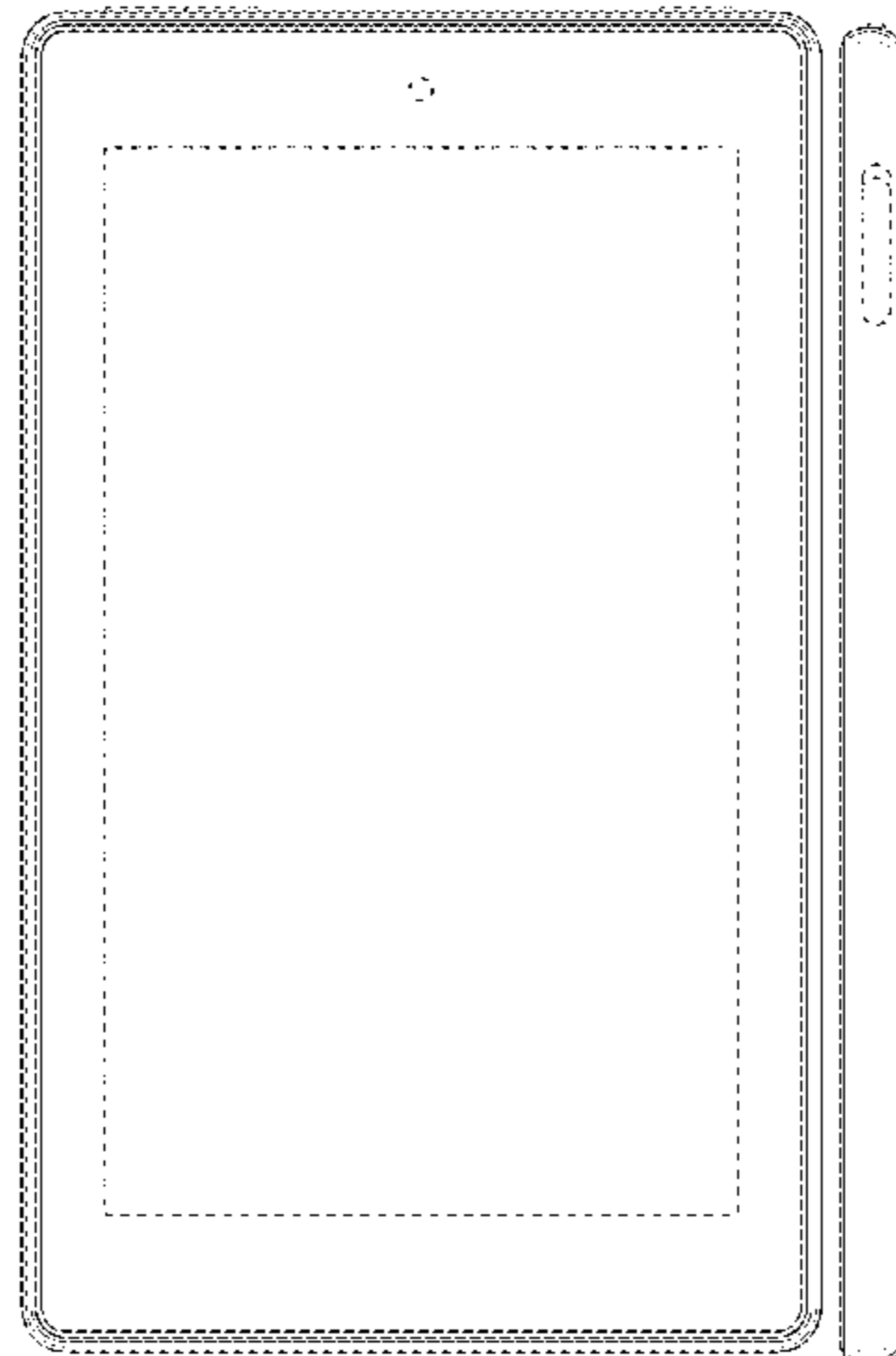
(58) **Field of Classification Search**
USPC D14/341-347, 137, 138 R, 138 AA, D14/138 C, 138 G, 496, 203.1, 203.2, D14/203.4, 203.7, 129, 130, 147, 218, D14/248, 389, 388, 426, 420, 440, 432; D10/50, 60, 65, 104.1; D21/324, 329; D34/29; D11/12, 13; D13/103; D18/6; D6/524
CPC F16M 11/20; F16M 13/00; A63H 33/3016; G06F 1/1613; G06F 1647/1641; G06F 3/04883; G06F 3/0486; H04M 1/0279; H04M 1/0281; H04M 1/0283
See application file for complete search history.

(56) **References Cited**

U.S. PATENT DOCUMENTS

D636,769 S * 4/2011 Wood D14/341
D654,074 S * 2/2012 Wood D14/341
D680,524 S * 4/2013 Feng D14/341

D684,969 S * 6/2013 Smith D14/341
D693,787 S * 11/2013 Reivo D14/138 G
D698,785 S * 2/2014 Canizares D14/341
D705,775 S * 5/2014 Canizares D14/341
D710,349 S * 8/2014 Han D14/341
D712,400 S * 9/2014 Kim D14/341
D716,250 S * 10/2014 Becker D14/138 G
D725,651 S * 3/2015 Green D14/341
D726,716 S * 4/2015 Green D14/341
D734,326 S * 7/2015 McManigal D14/341
D736,202 S * 8/2015 Solomon D14/341
D737,270 S * 8/2015 Young D14/341
D738,341 S * 9/2015 Choi D14/138 G
D741,831 S * 10/2015 Kozlovskaya D14/138 G
D742,847 S * 11/2015 Ryu D14/138 G
D743,704 S * 11/2015 Kaiser D6/300
D750,621 S * 3/2016 Looor Canizares D14/341
D753,103 S * 4/2016 Yokoyama D14/341
D753,105 S * 4/2016 Chang D14/341
D754,090 S * 4/2016 Tai D14/138 G
D756,947 S * 5/2016 Walliser D14/138 G
D757,713 S * 5/2016 Yamazaki D14/341
D760,681 S * 7/2016 Chuang D14/138 G
D760,715 S * 7/2016 Chang D14/341
D766,889 S * 9/2016 Akana D14/203.7
D771,619 S * 11/2016 Akana D14/341
D771,621 S * 11/2016 Park D14/341
D776,121 S * 1/2017 Mecchella D14/440
D778,904 S * 2/2017 Akana D14/341
D783,600 S * 4/2017 Green D14/341
D786,238 S * 5/2017 Roberts D14/341
D789,356 S * 6/2017 Cebe D14/315
D794,630 S * 8/2017 Pendse D14/341
D795,249 S * 8/2017 Wall D14/341
D795,264 S * 8/2017 Wright D14/439
D795,827 S * 8/2017 Seo D14/138 G
D798,260 S * 9/2017 Seo D14/138 G
D799,476 S * 10/2017 Sakatsume D14/341
D800,716 S * 10/2017 Akana D14/341
D803,830 S * 11/2017 Cho D14/341
D805,068 S * 12/2017 Satzger D14/341
D808,957 S * 1/2018 Tian D14/341
D822,015 S * 7/2018 Biddle D14/341
D822,017 S * 7/2018 Noh D14/341
D825,555 S * 8/2018 Lee D14/341
D835,097 S * 12/2018 Morgan D14/341
D835,598 S * 12/2018 Cho D14/138 G
D839,266 S * 1/2019 Chang D14/341
D843,368 S * 3/2019 Fan D14/341
D847,132 S * 4/2019 Akana D14/341
D847,809 S * 5/2019 Akana D14/341
D856,322 S * 8/2019 Huebner D14/341
D858,513 S * 9/2019 Huh D14/341



D866,549 S *	11/2019	Kim	D14/341
D869,459 S *	12/2019	Wan	D14/341
D869,460 S *	12/2019	Andre	D14/341
D870,100 S *	12/2019	Li	D14/341
D870,102 S *	12/2019	Akana	D14/341
D873,265 S *	1/2020	Wall	D14/341
D874,460 S *	2/2020	Mitchell	D14/389
D878,363 S *	3/2020	Zhai	D14/341
D879,772 S *	3/2020	Wall	D14/341
2011/0070929 A1*	3/2011	Li	H04B 1/3818 455/575.1

FOREIGN PATENT DOCUMENTS

CN	303605343	*	3/2016
CN	304130205	*	5/2017
JP	D1579807	*	6/2017
JP	D1579808	*	6/2017
KR	300875917.0000	*	10/2016
KR	3009075290001	*	5/2017
KR	3009075290002	*	5/2017
KR	3020160011026		5/2017

OTHER PUBLICATIONS

Fire Tablet with Alexa, announced Oct. 2, 2015 [online], [site visited Oct. 5, 2017], Available on Internet URL: <<https://www.amazon.com/Amazon-Fire-7-Inch-Tablet-8GB/dp/B00TSUGXKE>>.*

Amazon's next Fire tablet, announced Sep. 16, 2015 [online], [site visited Oct. 5, 2017], Available on Internet URL: <<https://www.engadget.com/2015/09/16/amazon-10-inch-kindle-fire-tablet/>>.*

The Korean Office Action dated Feb. 1, 2018 for Korean Design Application No. 30-2017-0044037, a counterpart foreign application of Design U.S. Appl. No. 29/598,854, 2 pages.

The Indian Office Action dated Oct. 13, 2017 for Indian design application No. 297648, a counterpart application of Design U.S. Appl. No. 29/598,854, 2 pages.

The Indian Office Action dated Oct. 4, 2017 for Indian design application No. 297647, a counterpart design of Design U.S. Appl. No. 29/598,854, 2 pages.

The Canadian Office Action dated Mar. 19, 2018 for Canadian design application No. 177013, a counterpart foreign application of Design U.S. Appl. No. 29/598,854, 1 page.

The Canadian Office Action dated Mar. 19, 2018 for Canadian design application No. 177012, a counterpart foreign application of Design U.S. Appl. No. 29/598,854, 1 page.

The Chinese Office Action dated Mar. 20, 2018 for Chinese design application No. 201730449507.X, a counterpart foreign application of Design U.S. Appl. No. 29/598,854, 1 page.

The Canadian Office Action dated Mar. 2, 2017 for Canadian Design Application No. 171766, a counterpart foreign application of Design U.S. Appl. No. 29/567,984, 1 page.

The Canadian Office Action dated Mar. 2, 2017 for Canadian Design Application No. 171767, a counterpart foreign application of Design U.S. Appl. No. 29/567,984, 1 page.

The Canadian Office Action dated Mar. 2, 2017 for Canadian Design Application No. 171768, a counterpart foreign application of Design U.S. Appl. No. 29/567,984, 1 page.

The Chinese Office Action dated Apr. 20, 2017 for Chinese design application No. 201630601156.5, a counterpart foreign application of Design U.S. Appl. No. 29/567,984, 1 pages.

The Hearing Letter dated Oct. 12, 2017 for Indian design application No. 88955, a counterpart foreign application of Design U.S. Appl. No. 29/567,984, 1 page.

The Indian Office Action dated Dec. 13, 2016 for Indian Design Application No. 288956, a counterpart foreign application of Design U.S. Appl. No. 29/567,984, 2 pages.

The Indian Office Action dated Dec. 14, 2016 for Indian Design Application No. 288955, a counterpart foreign application of Design U.S. Appl. No. 29/567,984, 2 pages.

The Korean Office Action datedn May 23, 2017 for Korean Design Application No. 30-2016-59028 M001, counterpart foreign application of Design U.S. Appl. No. 29/567,984.

The Korean Office Action dated May 23, 2017 for Korean Design Application No. 30-2016-59028 M002, a counterpart foreign application of Design U.S. Appl. No. 29/567,984.

The Korean Office Action dated May 23, 2017 for Korean Design Application No. 30-2016-59028 M003, a counterpart foreign application of Design U.S. Appl. No. 29/567,984.

Office Action for U.S. Appl. No. 29/567,984, dated Nov. 3, 2017, Biddle, "Electronic device", 7 pages.

Office Action U.S. Appl. No. 29/567,984, dated Jun. 9, 2020, Biddle, "Electronic device". 9 Pages.

Canadian Office Action dated Jun. 29, 2018 for Canadian design application No. 177012, a counterpart foreign application of Design U.S. Appl. No. 29/598,854, 2 pages.

* cited by examiner

Primary Examiner — Dana K Weiland

Assistant Examiner — Mary Claire Ramirez

(74) *Attorney, Agent, or Firm* — Lee & Hayes, P.C.

(57)

CLAIM

The ornamental design for an electronic device, as shown and described.

DESCRIPTION

FIG. 1 is a top, left, front perspective view of a first embodiment of an electronic device showing the new design;

FIG. 2 is a top, right, back perspective view thereof;

FIG. 3 is a front view thereof;

FIG. 4 is a back view thereof;

FIG. 5 is a right-side view thereof;

FIG. 6 is a left-side view thereof;

FIG. 7 is a top view thereof;

FIG. 8 is a bottom view thereof;

FIG. 9 is an enlarged view of a section indicated by the circle shown in FIG. 8;

FIG. 10 is a top, left, front perspective view of a second embodiment of an electronic device showing the new design;

FIG. 11 is a top, right, back perspective view thereof;

FIG. 12 is a front view thereof;

FIG. 13 is a back view thereof;

FIG. 14 is a right-side view thereof;

FIG. 15 is a left-side view thereof;

FIG. 16 is a top view thereof;

FIG. 17 is a bottom view thereof;

FIG. 18 is an enlarged view of a section indicated by the circle shown in FIG. 17;

FIG. 19 is a top, left, front perspective view of a third embodiment of an electronic device showing the new design;

FIG. 20 is a top, right, back perspective view thereof;

FIG. 21 is a front view thereof;

FIG. 22 is a back view thereof;

FIG. 23 is a right-side view thereof;

FIG. 24 is a left-side view thereof;

FIG. 25 is a top view thereof;

FIG. 26 is a bottom view thereof;

FIG. 27 is an enlarged view of a section indicated by the circle shown in FIG. 26;

FIG. 28 is a top, left, front perspective view of a fourth embodiment of an electronic device showing the new design;

FIG. 29 is a top, right, back perspective view thereof;

FIG. 30 is a front view thereof;

FIG. 31 is a back view thereof;

FIG. 32 is a right-side view thereof;

FIG. 33 is a left-side view thereof;

FIG. 34 is a top view thereof;

FIG. 35 is a bottom view thereof;

FIG. 36 is an enlarged view of a section indicated by the circle shown in FIG. 35;

FIG. 37 is a top, left, front perspective view of a fifth embodiment of an electronic device showing the new design;

FIG. 38 is a top, right, back perspective view thereof;

FIG. 39 is a front view thereof;

FIG. 40 is a back view thereof;

FIG. 41 is a right-side view thereof;

FIG. 42 is a left-side view thereof;

FIG. 43 is a top view thereof;

FIG. 44 is a bottom view thereof;

FIG. 45 is an enlarged view of a section indicated by the circle shown in FIG. 44;

FIG. 46 is a top, left, front perspective view of a sixth embodiment of an electronic device showing the new design;

FIG. 47 is a top, right, back perspective view thereof;

FIG. 48 is a front view thereof;

FIG. 49 is a back view thereof;

FIG. 50 is a right-side view thereof;

FIG. 51 is a left-side view thereof;

FIG. 52 is a top view thereof;

FIG. 53 is a bottom view thereof; and,

FIG. 54 is an enlarged view of a section indicated by the circle shown in FIG. 53.

The broken lines shown in the drawings depict portions of the electronic device that form no part of the claimed design.

1 Claim, 54 Drawing Sheets

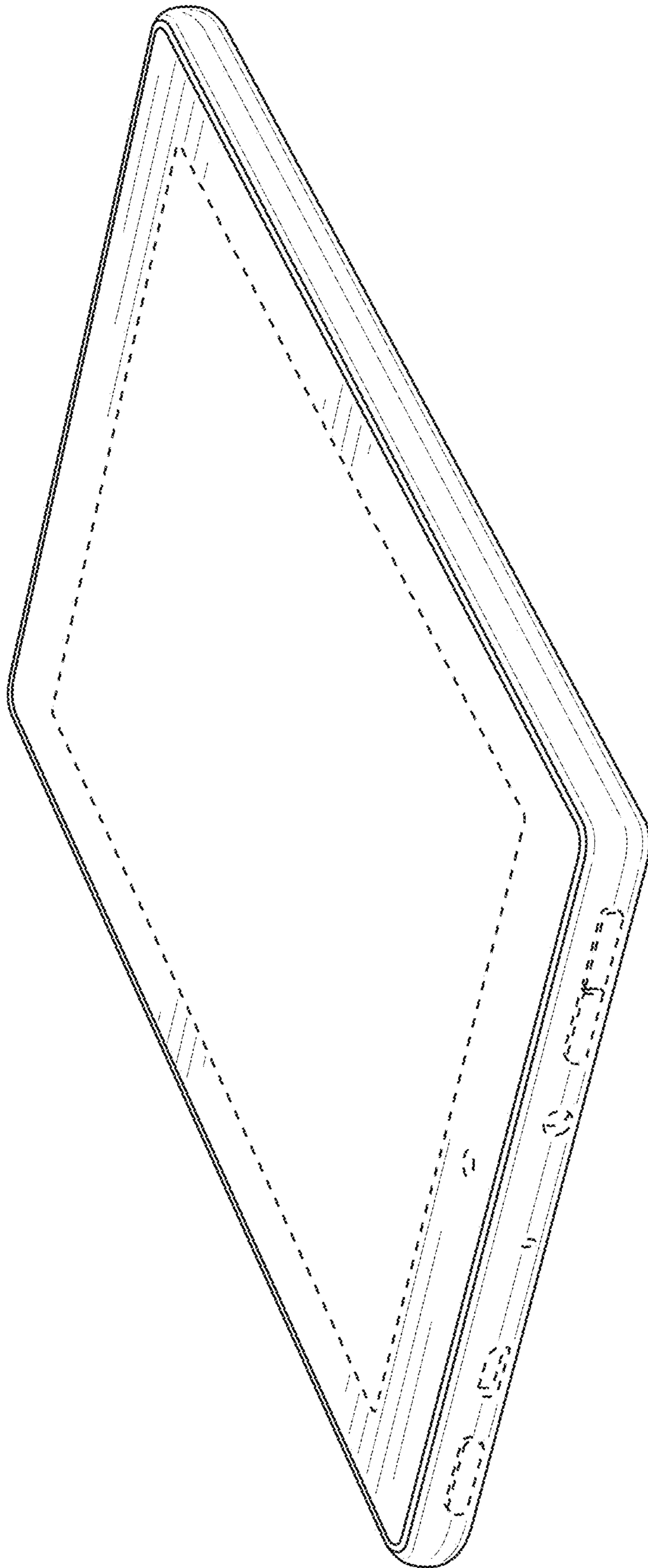


FIG. 1

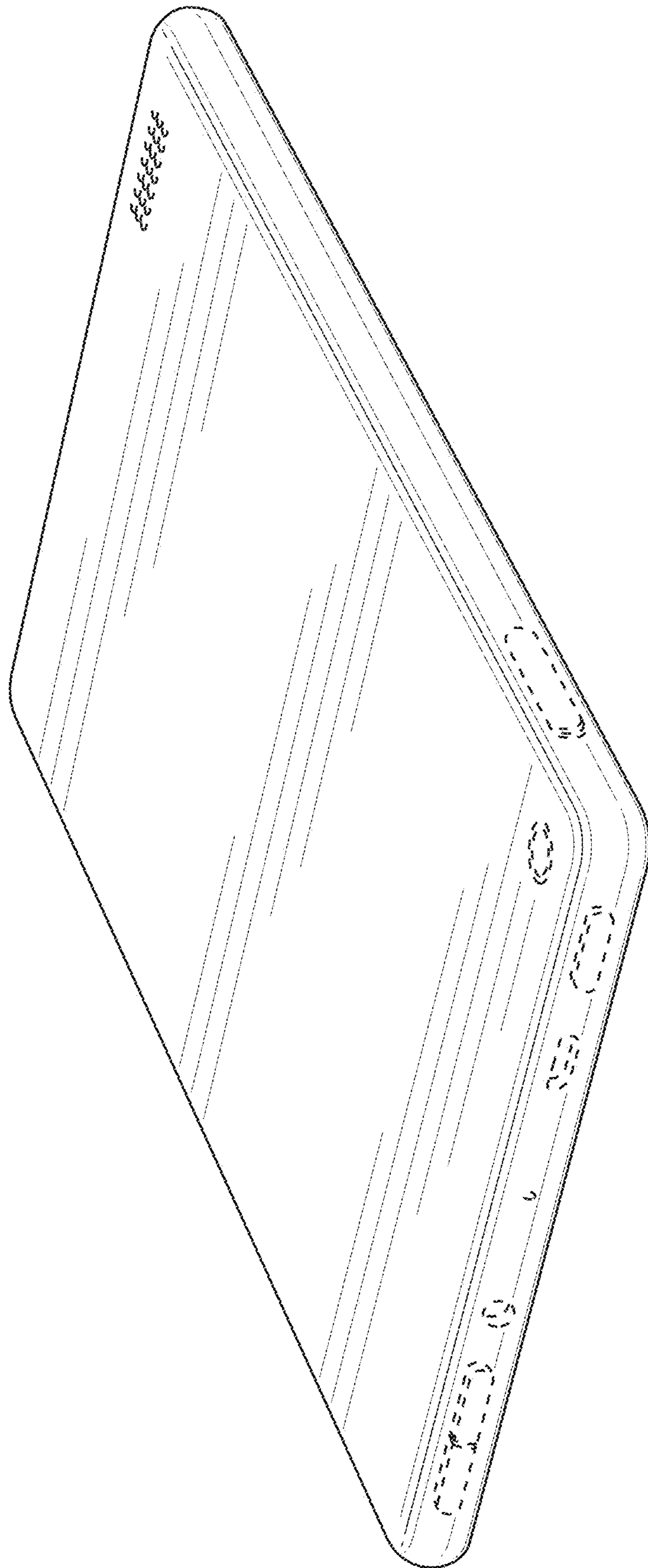


FIG. 2

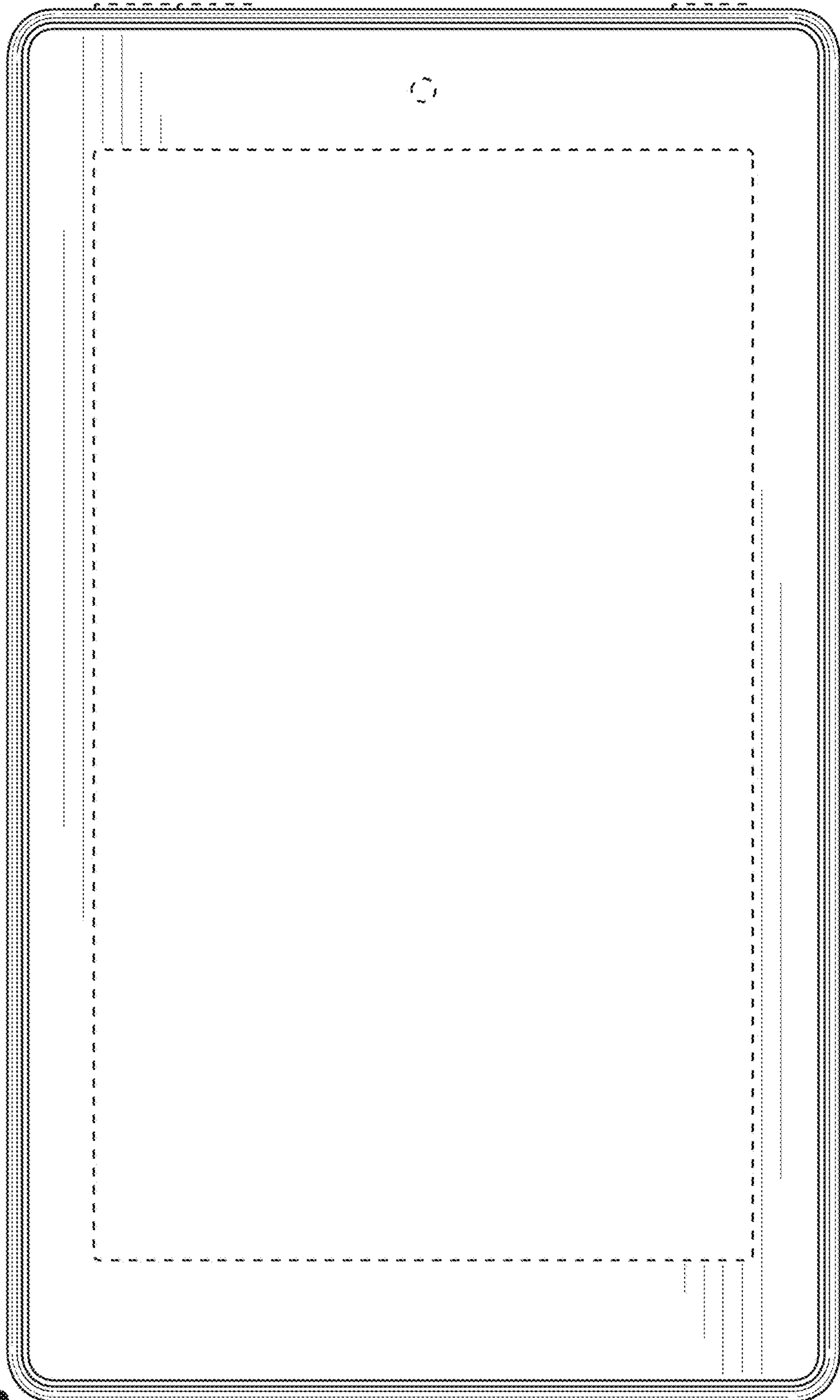


FIG. 3

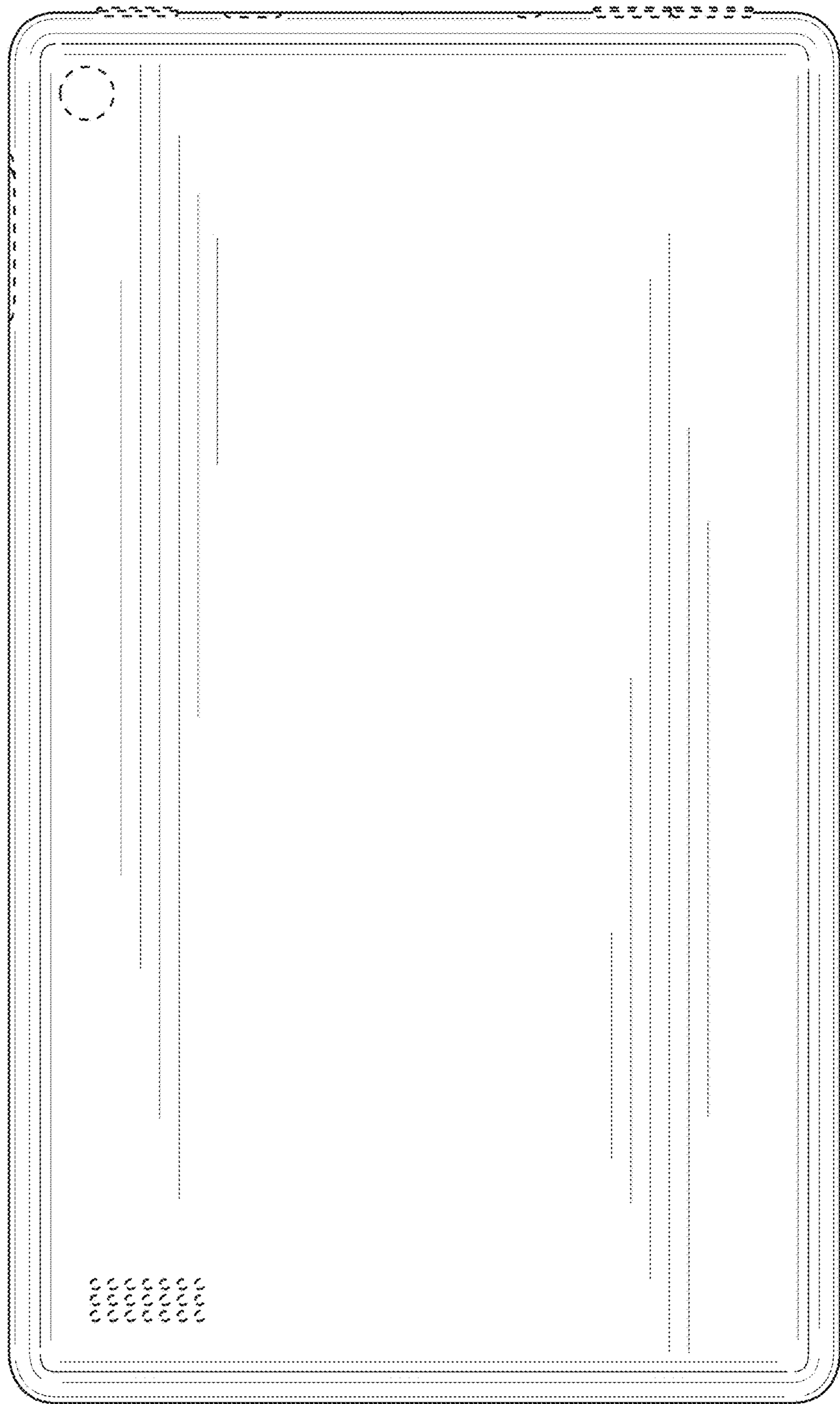


FIG. 4

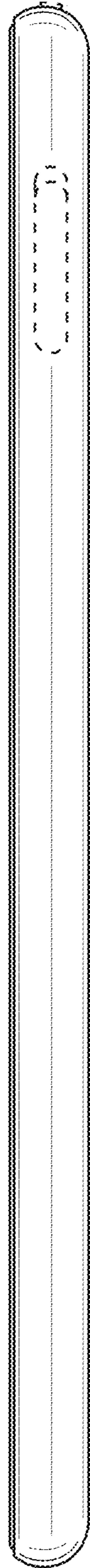


FIG. 5

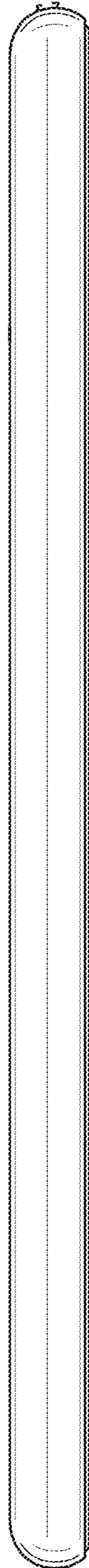


FIG. 6

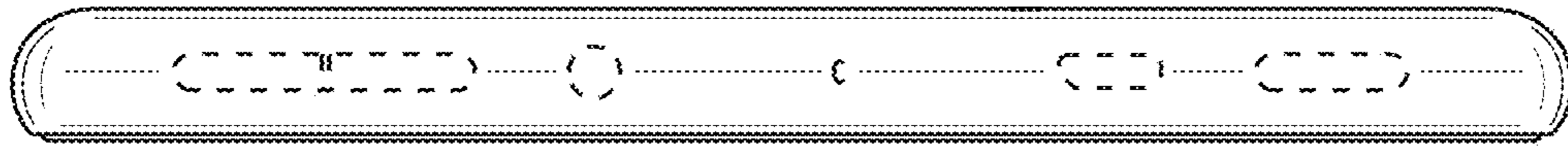


FIG. 7

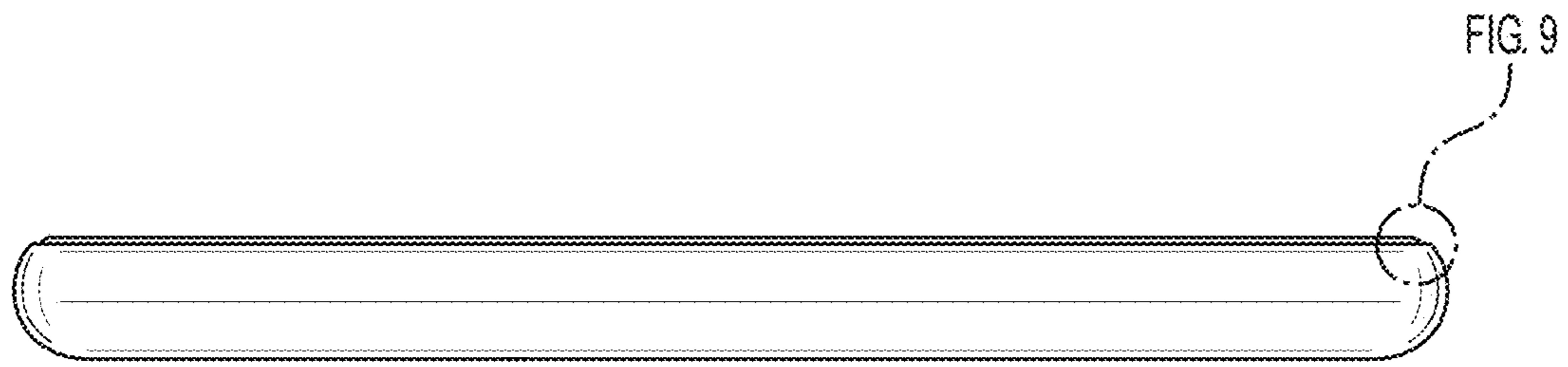


FIG. 8

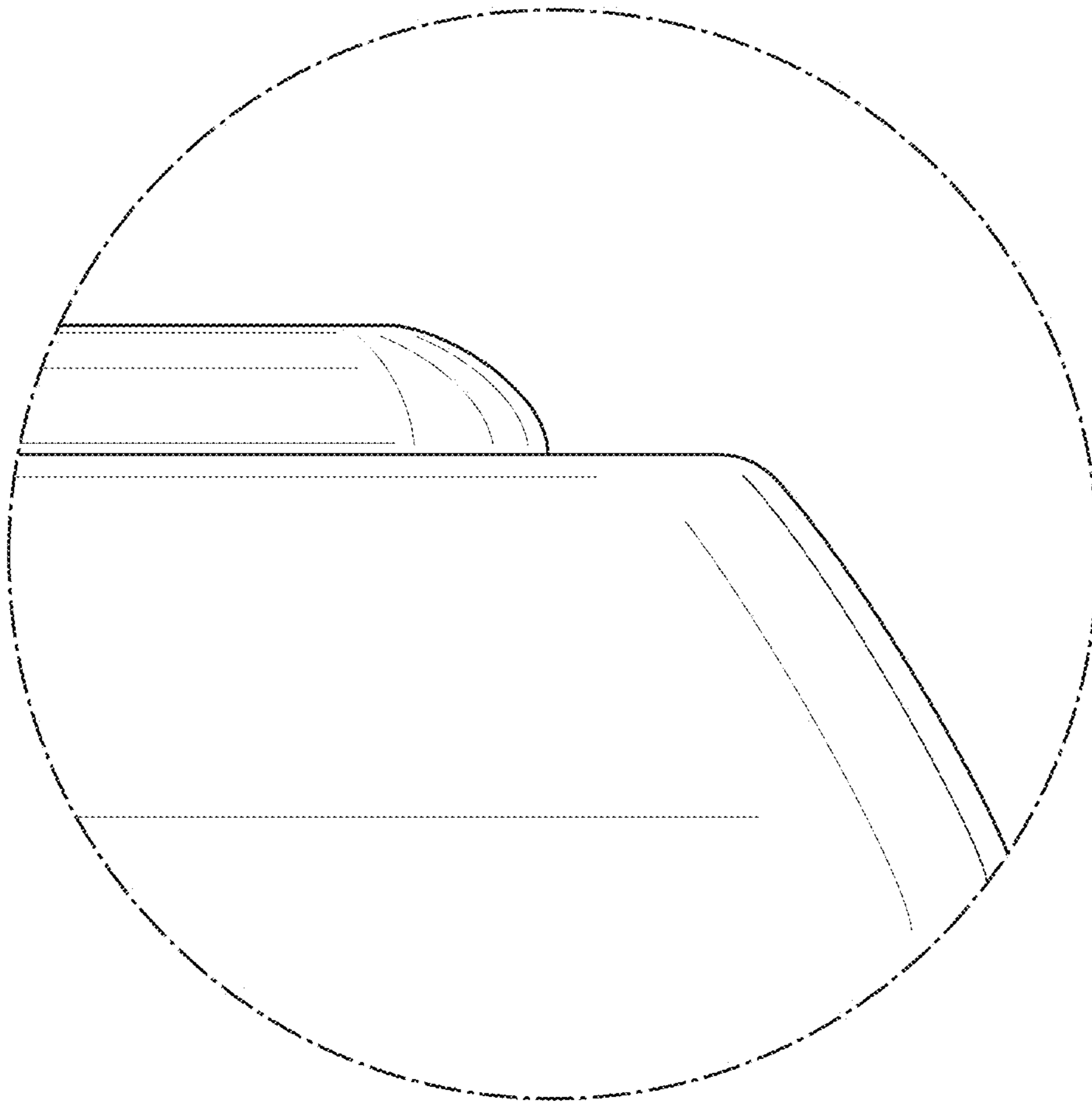


FIG. 9

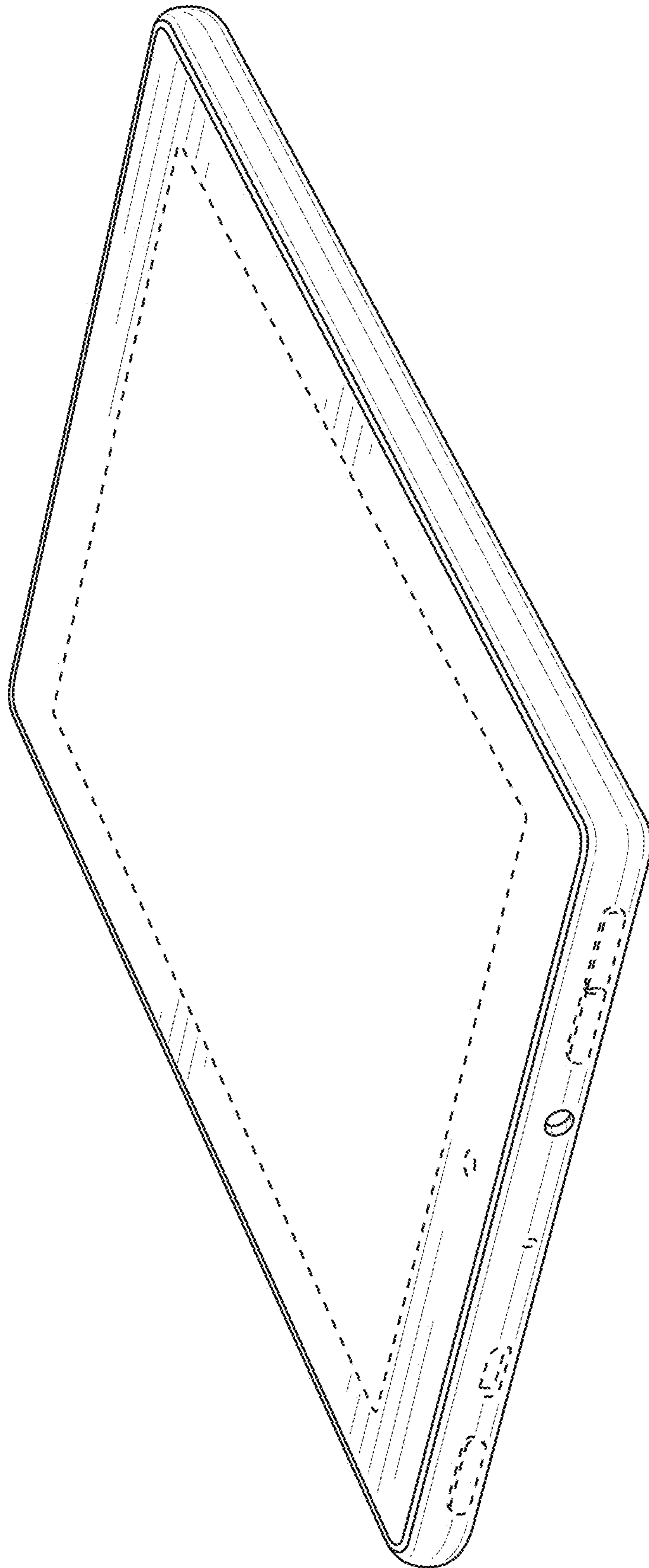


FIG. 10



FIG. 11

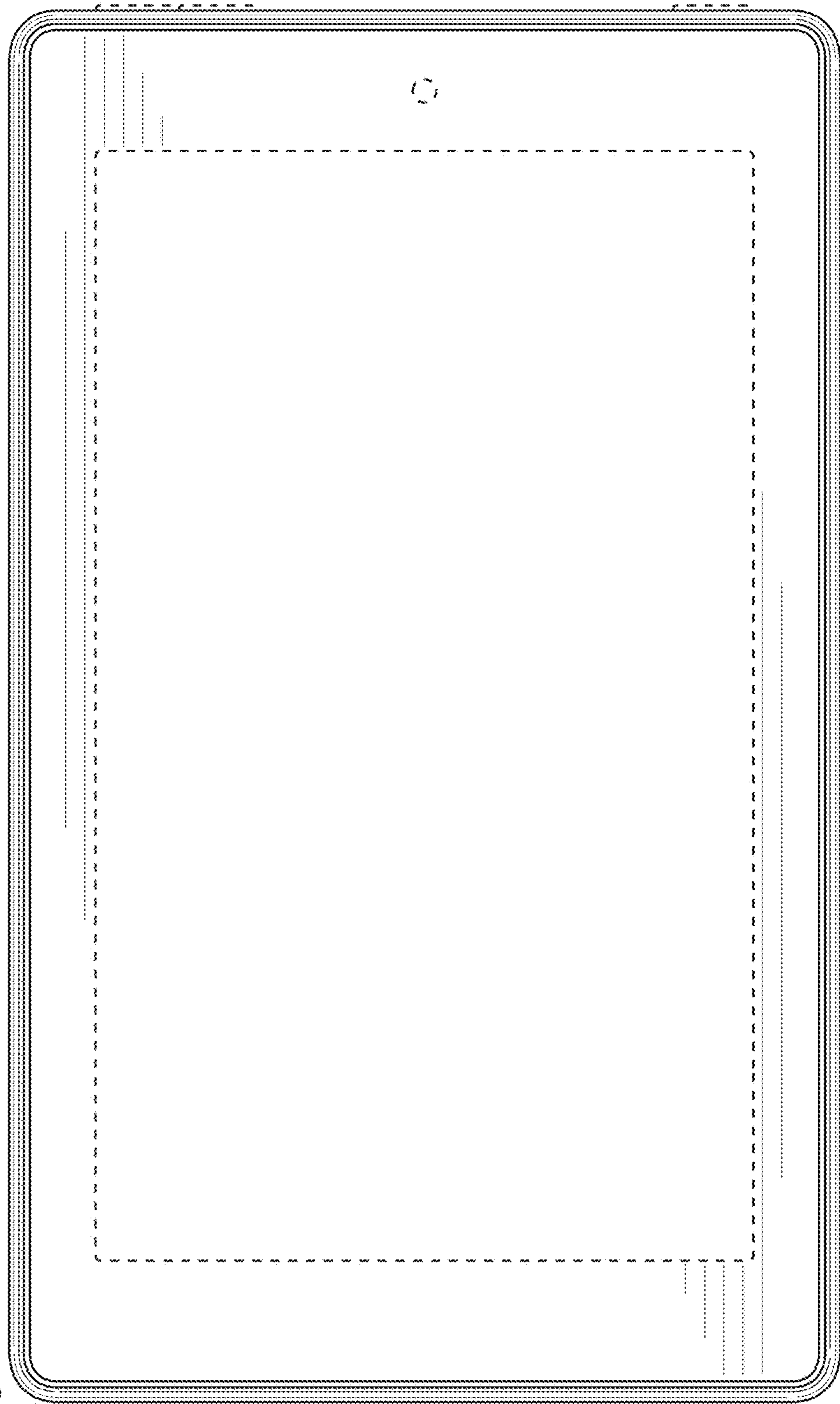


FIG. 12

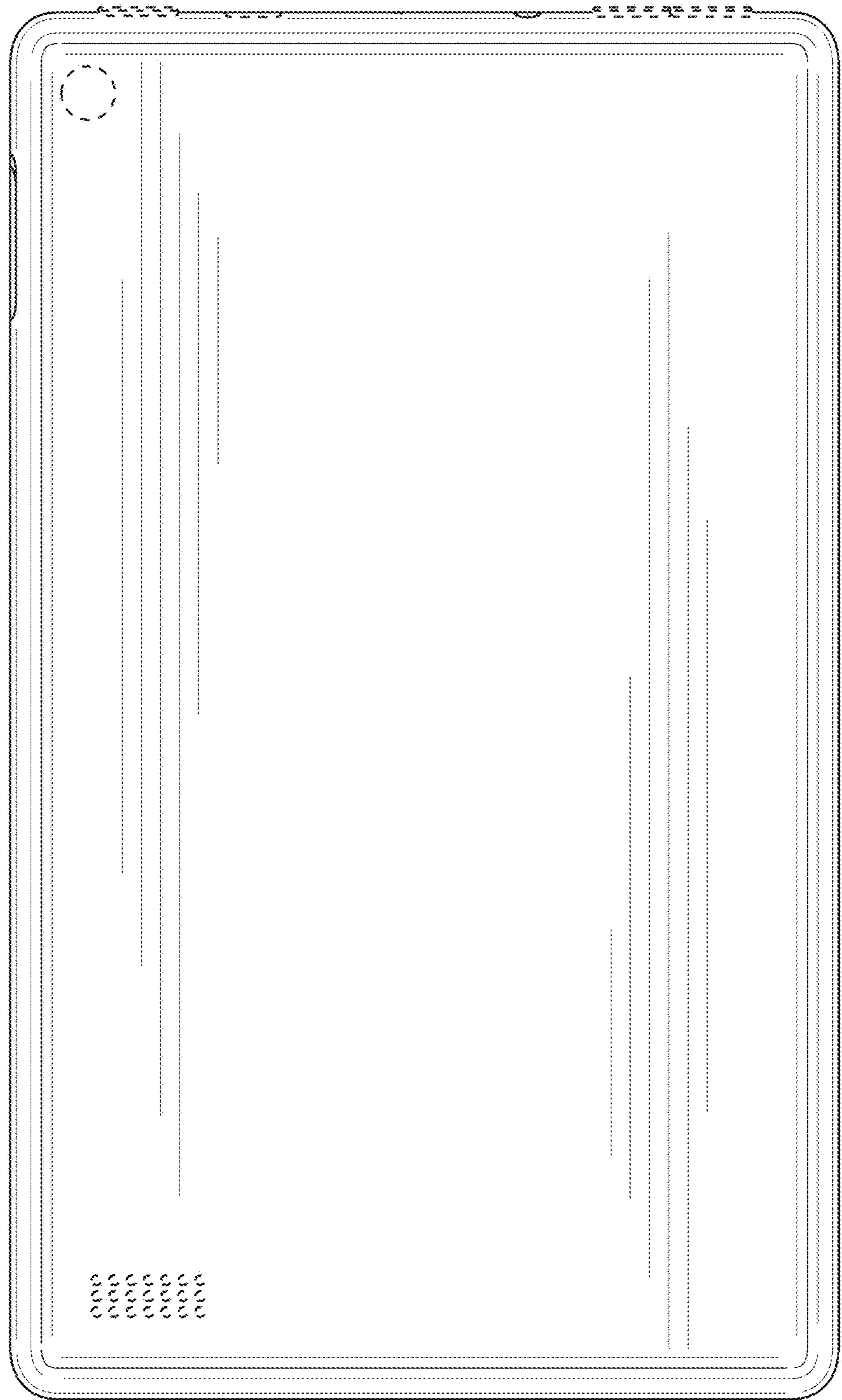


FIG. 13

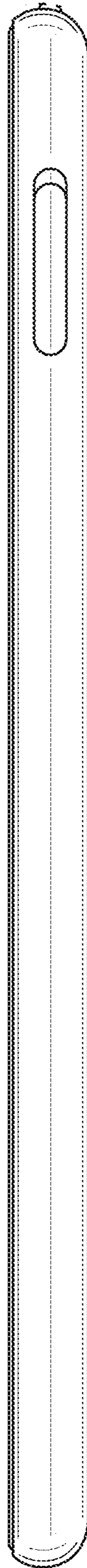


FIG. 14

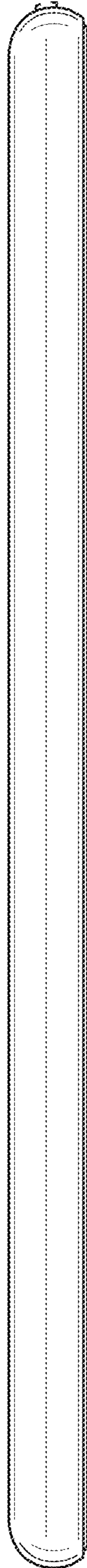


FIG. 15

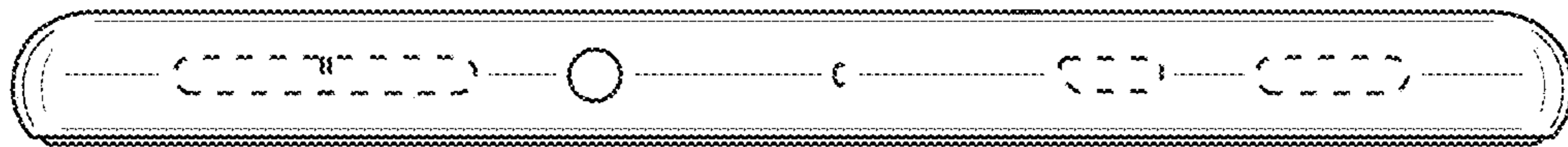


FIG. 16

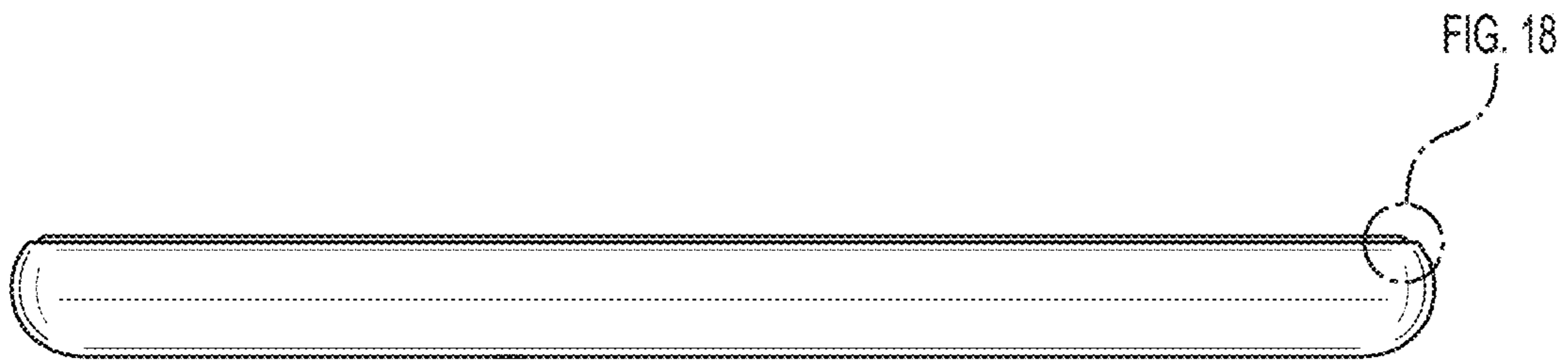


FIG. 17

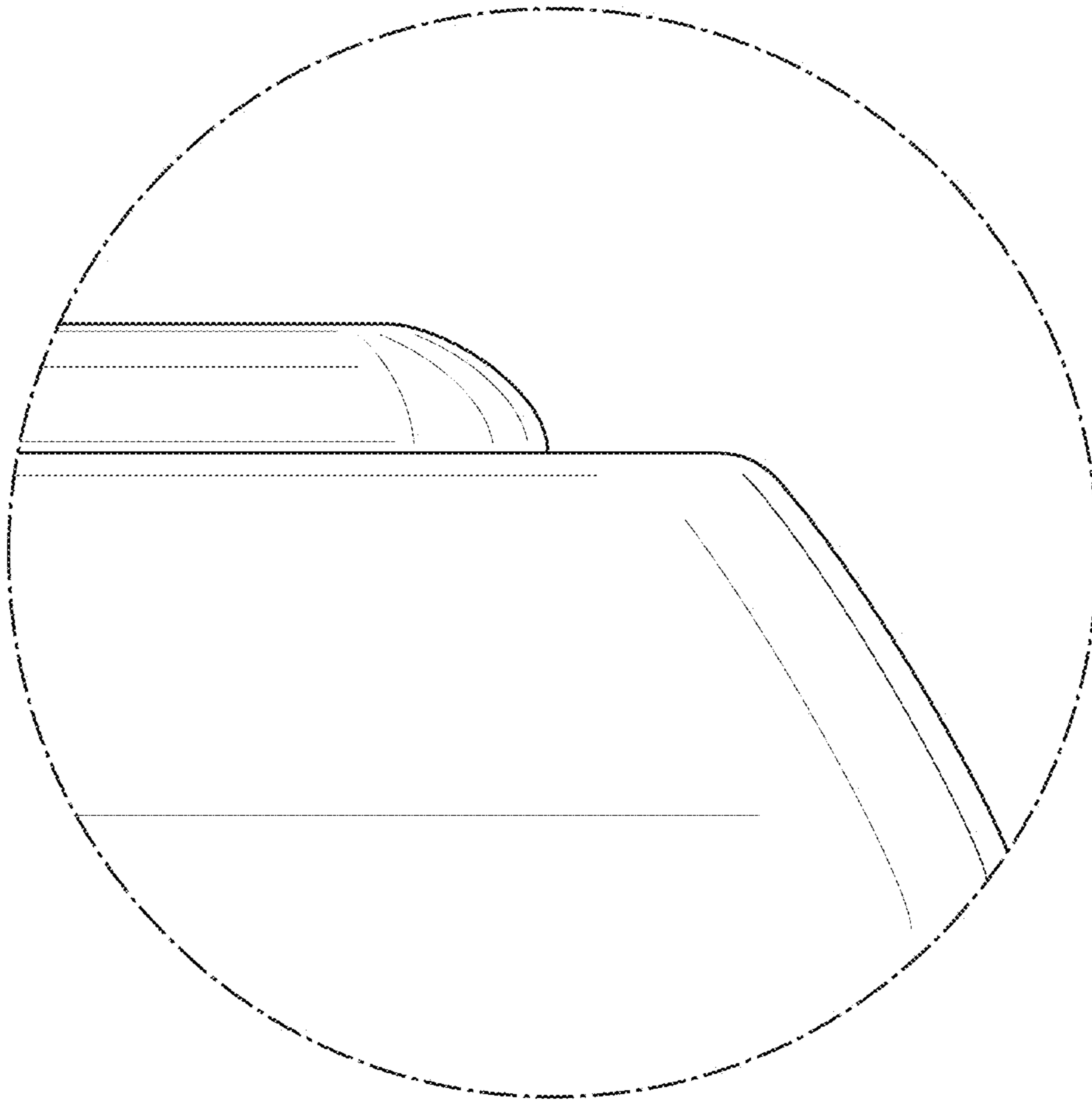


FIG. 18

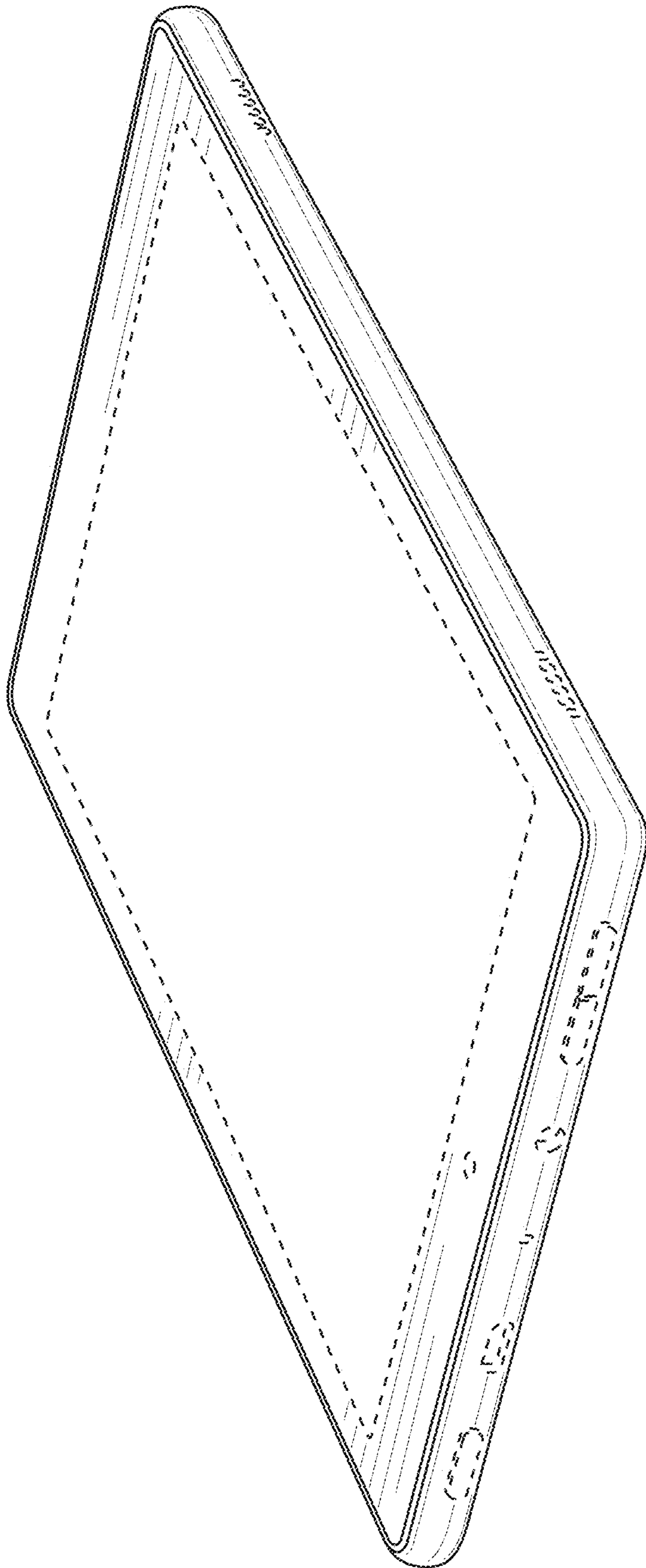


FIG. 19

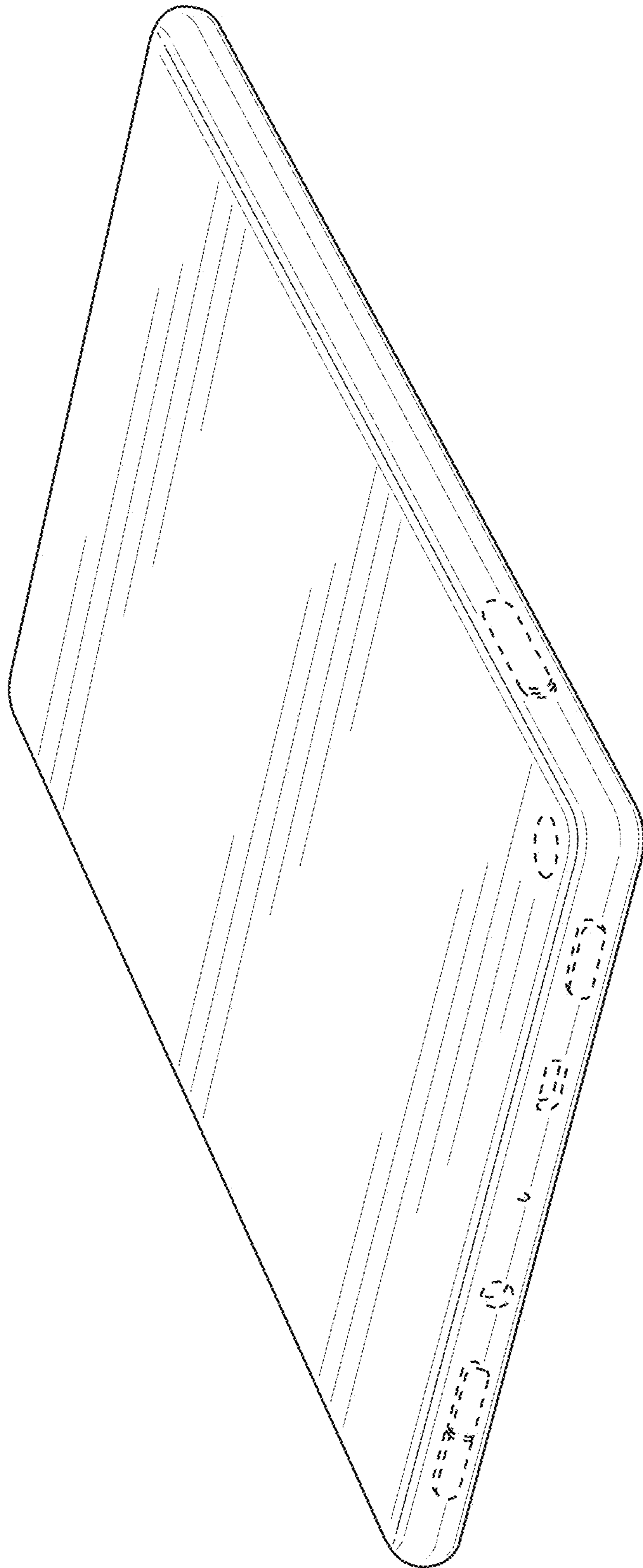


FIG. 20

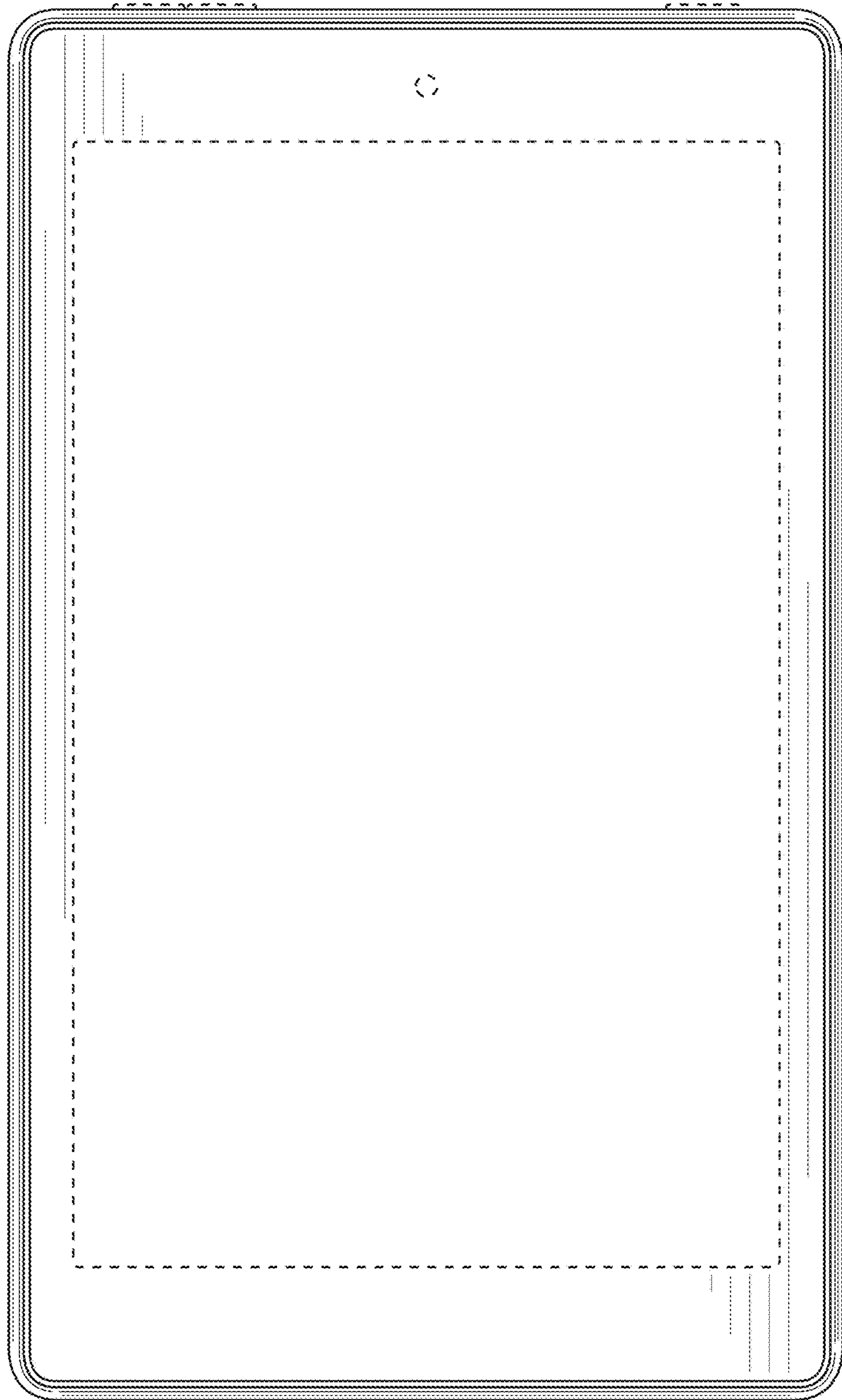


FIG. 21

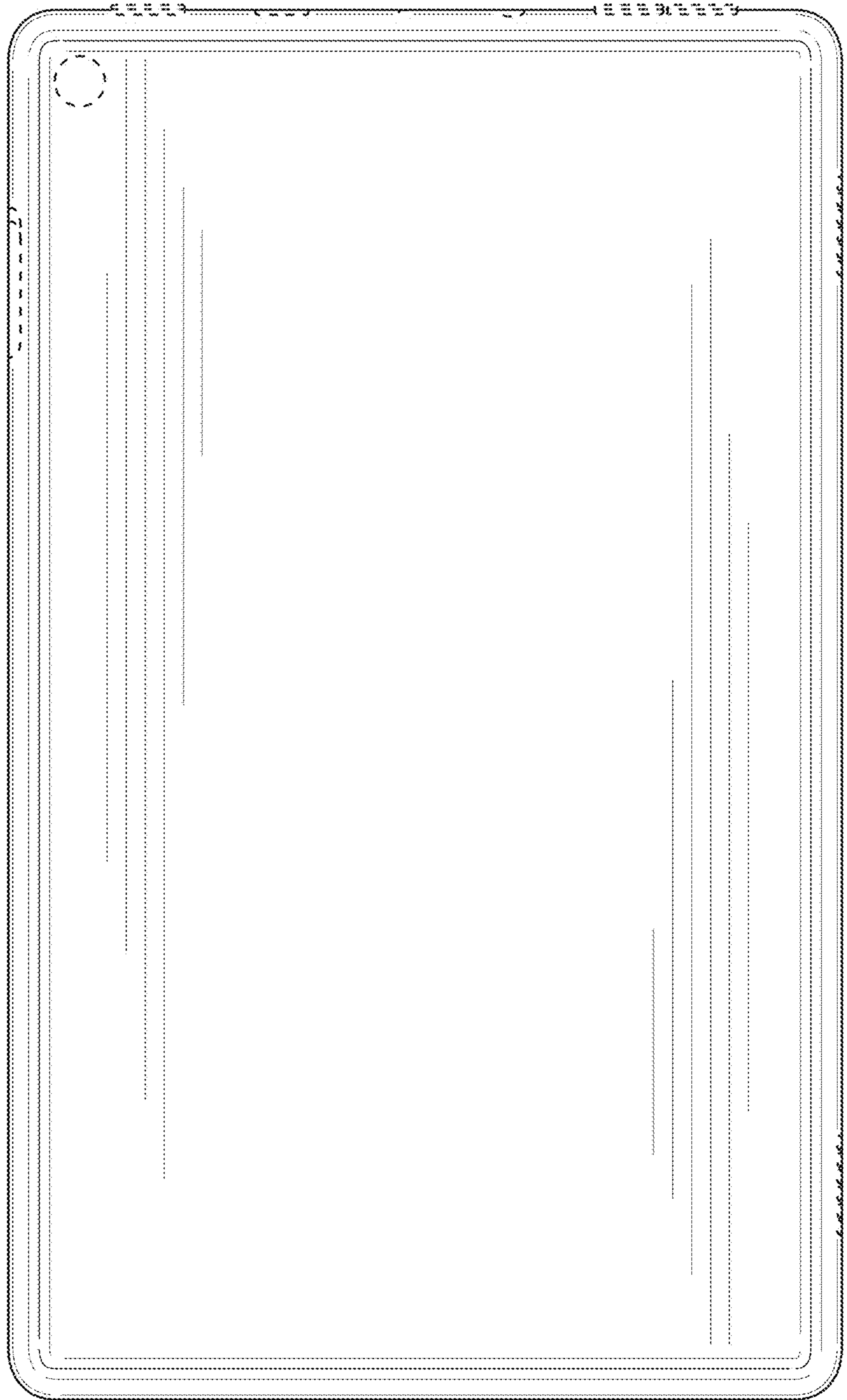


FIG. 22

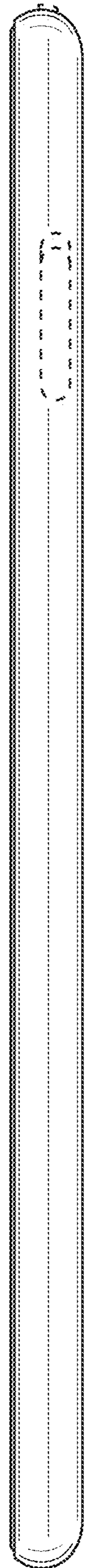


FIG. 23

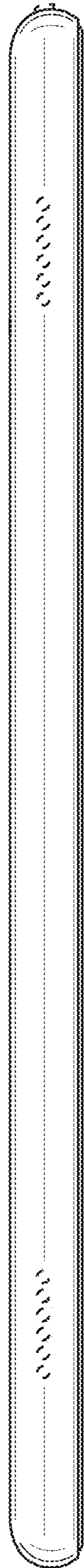


FIG. 24

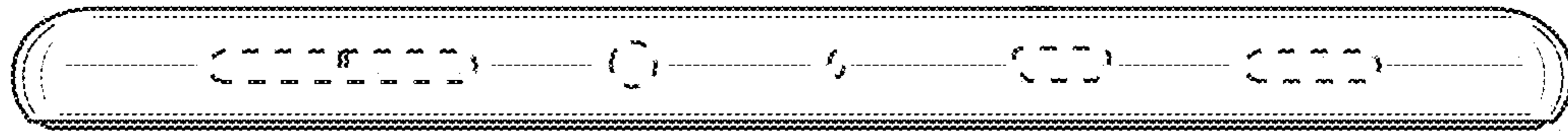


FIG. 25

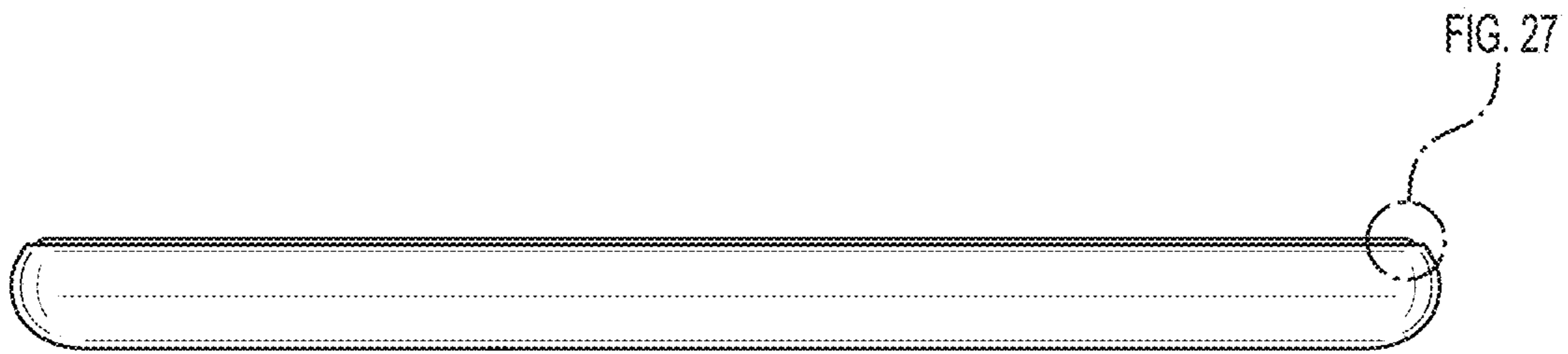


FIG. 26

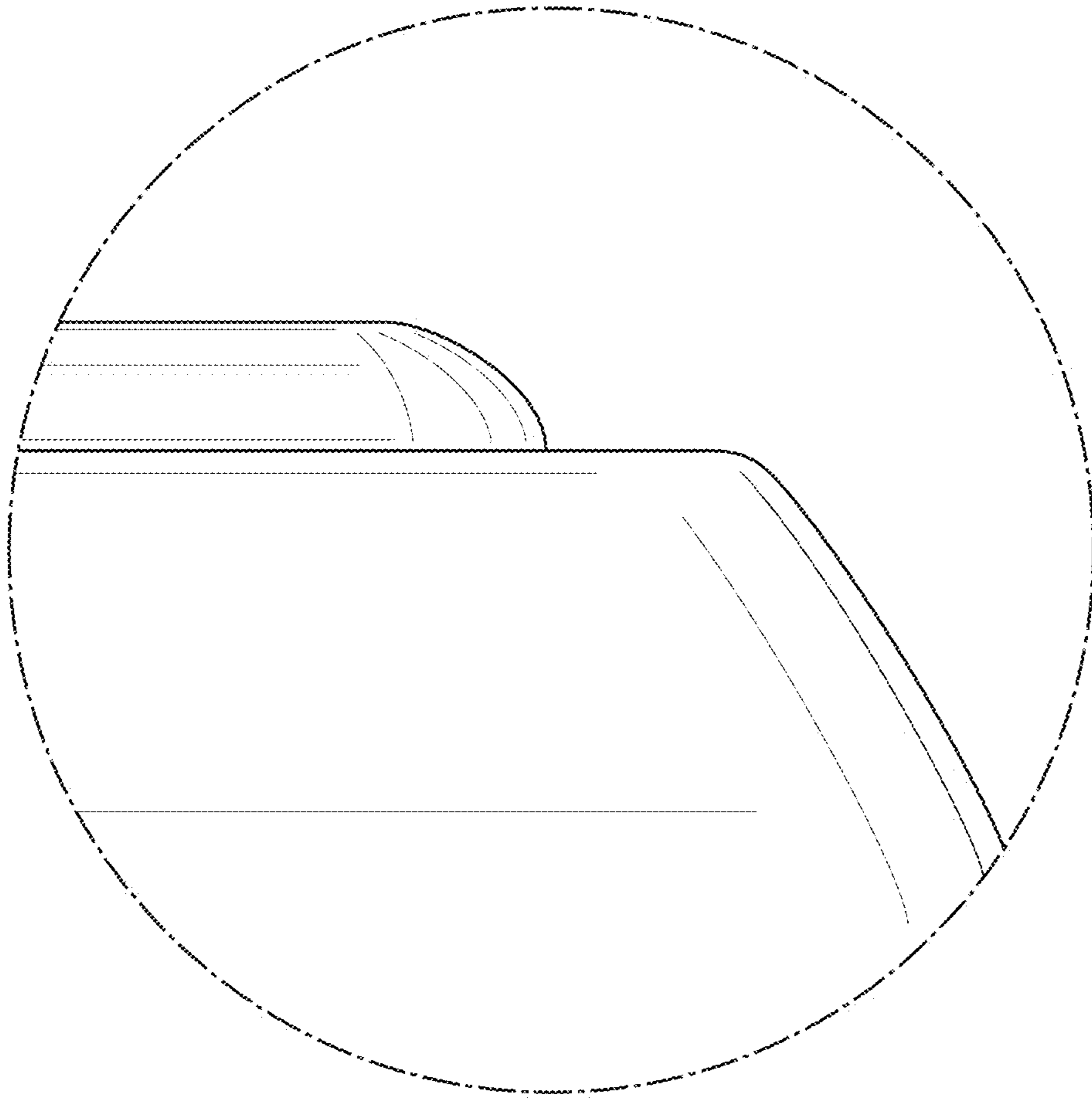


FIG. 27

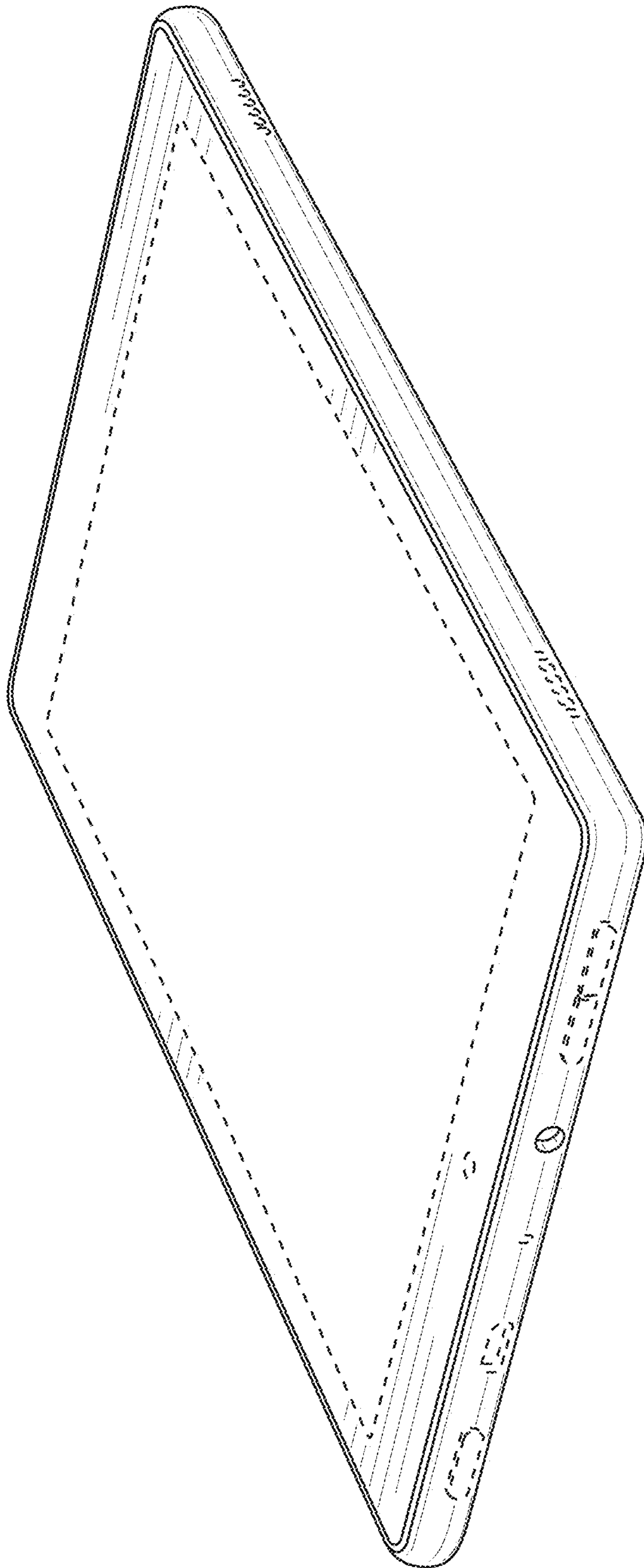


FIG. 28

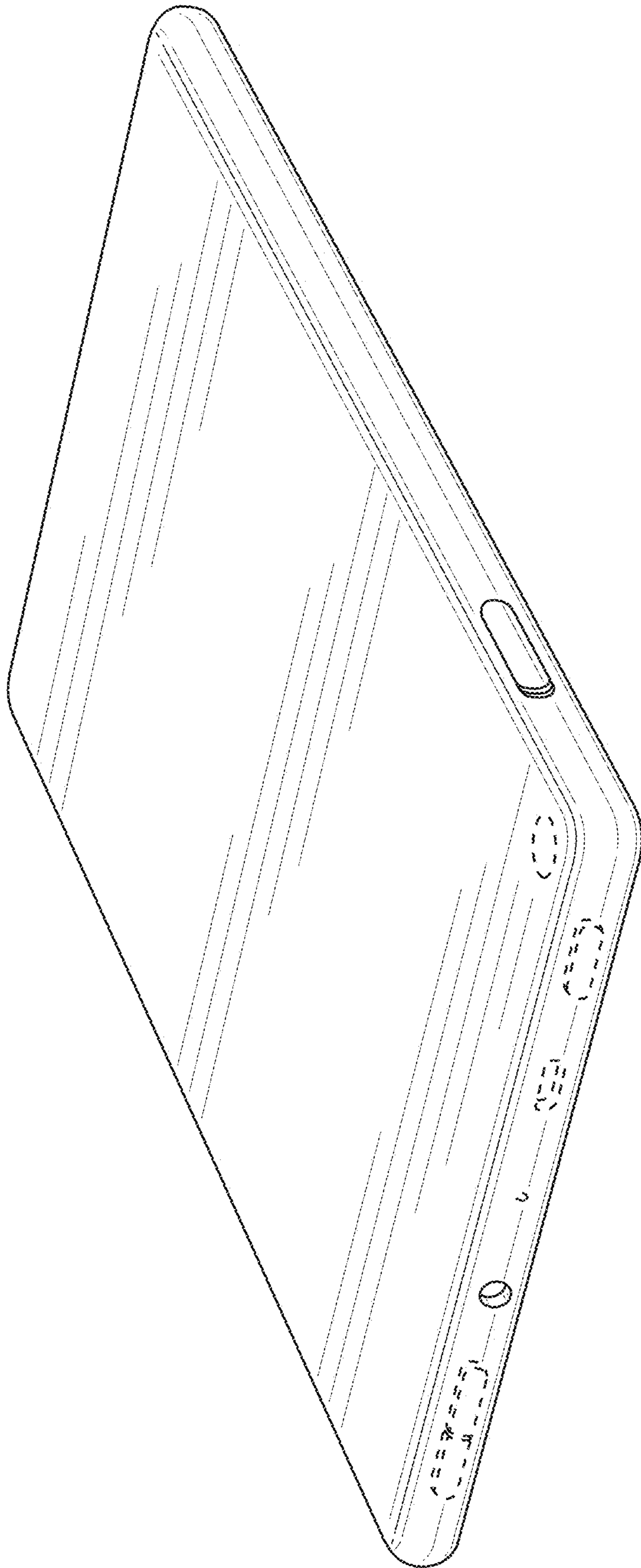


FIG. 29

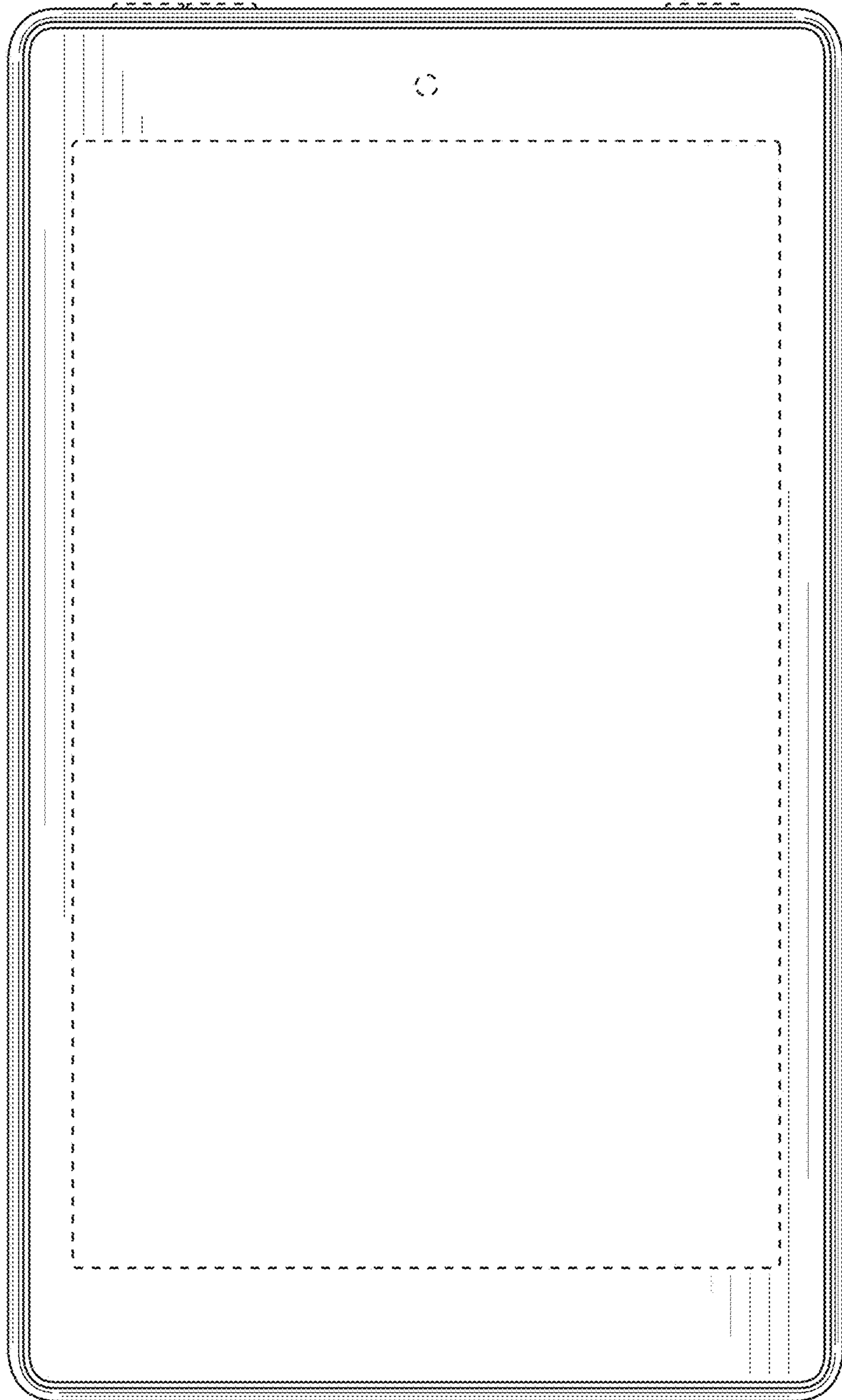


FIG. 30

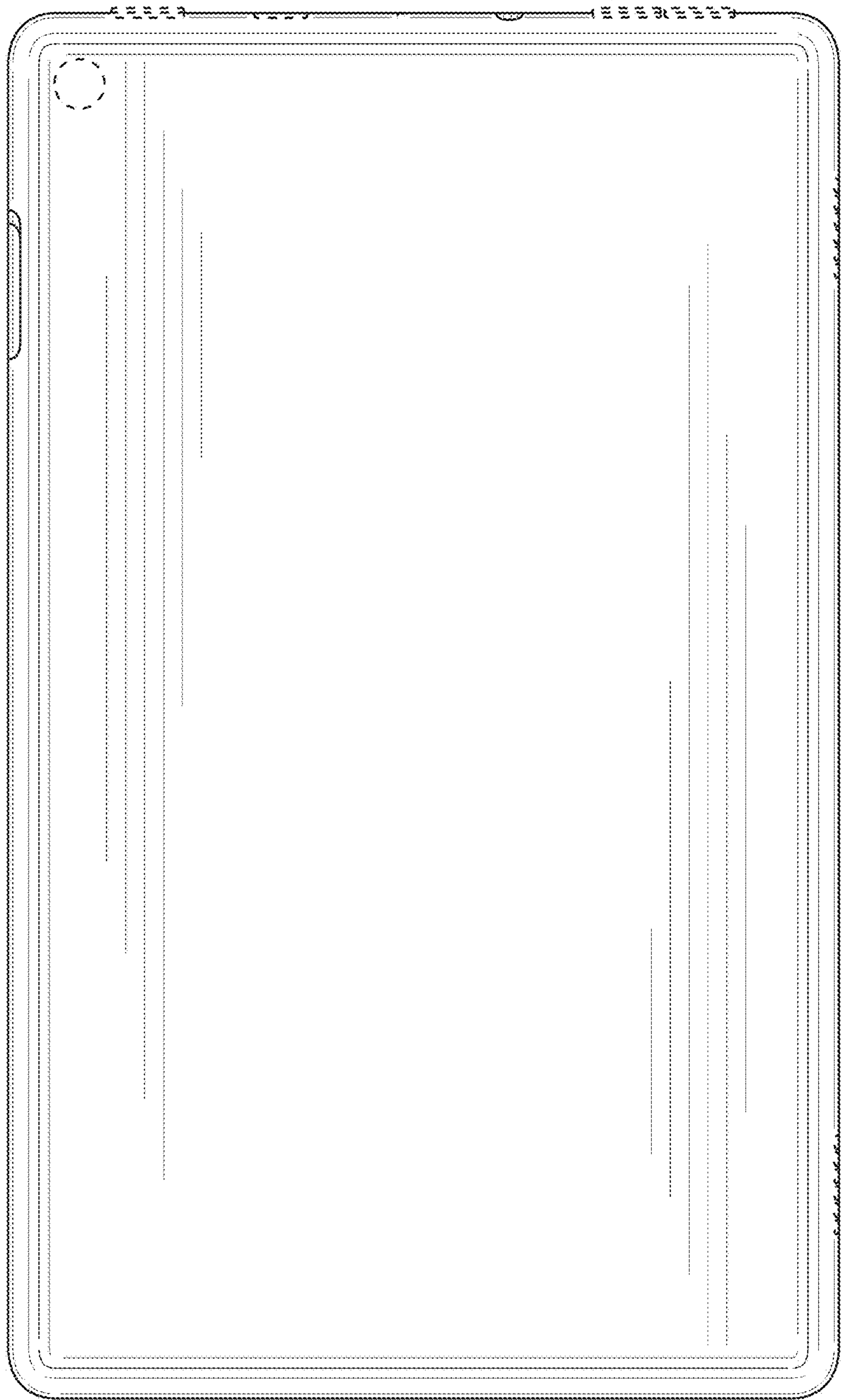


FIG. 31

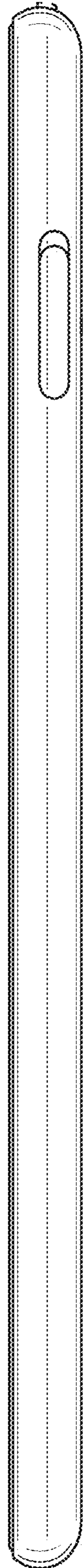


FIG. 32

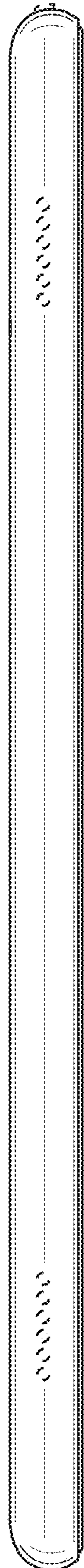


FIG. 33

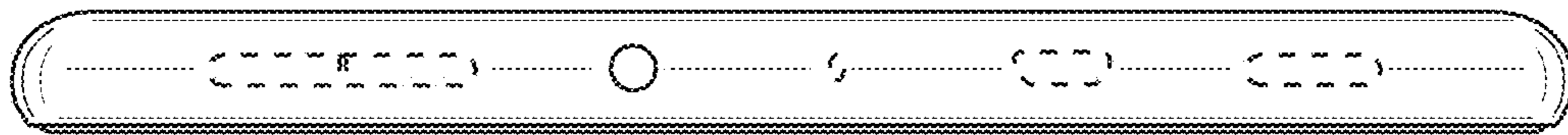


FIG. 34

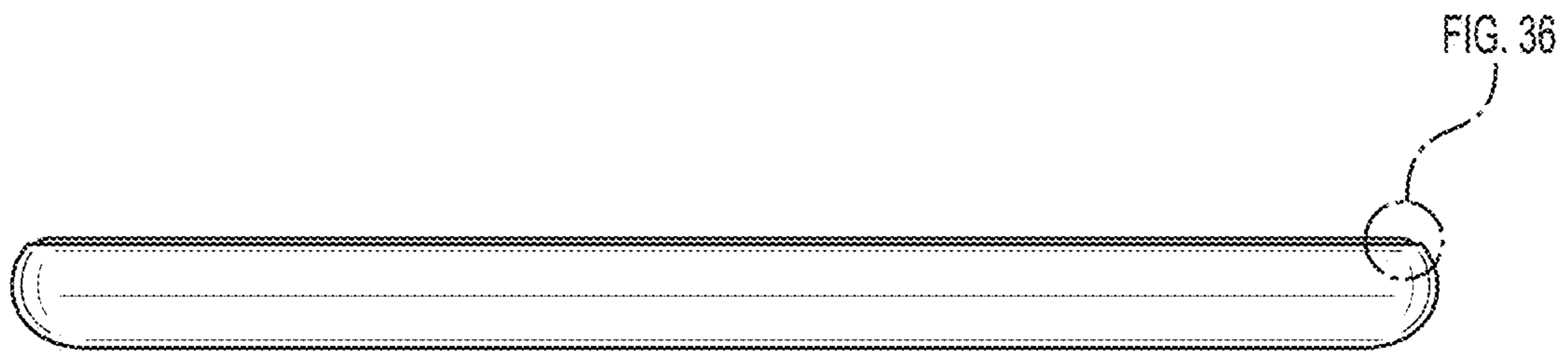


FIG. 35

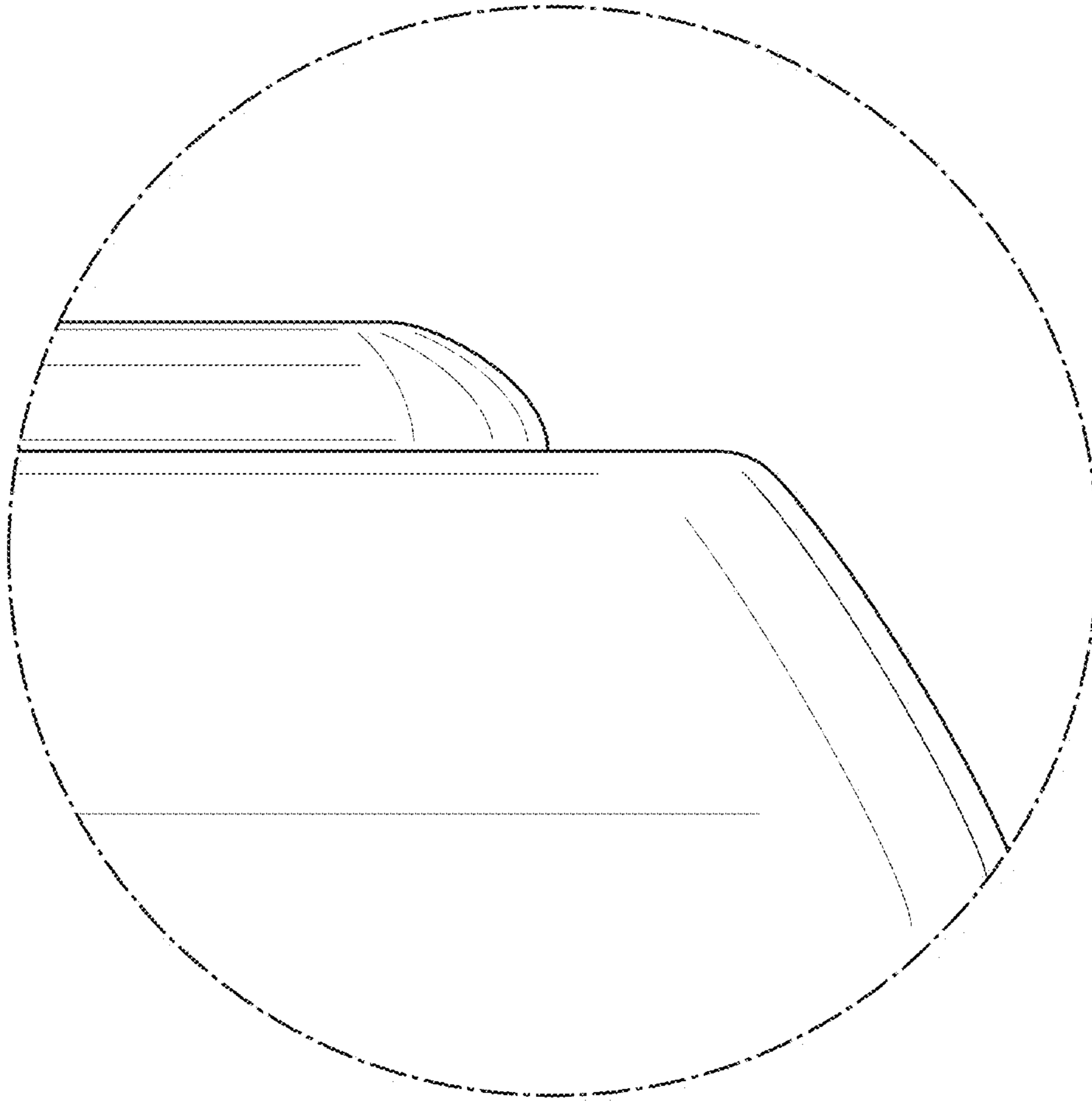


FIG. 36

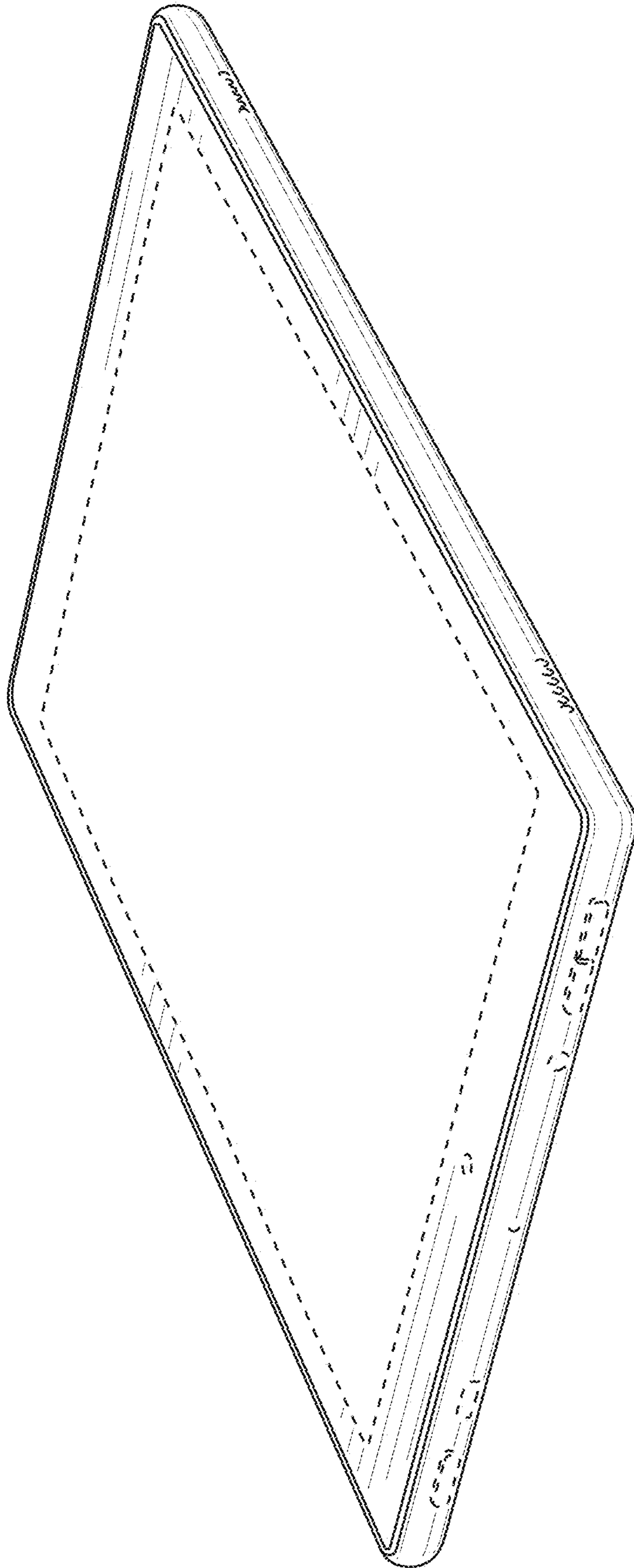


FIG. 37

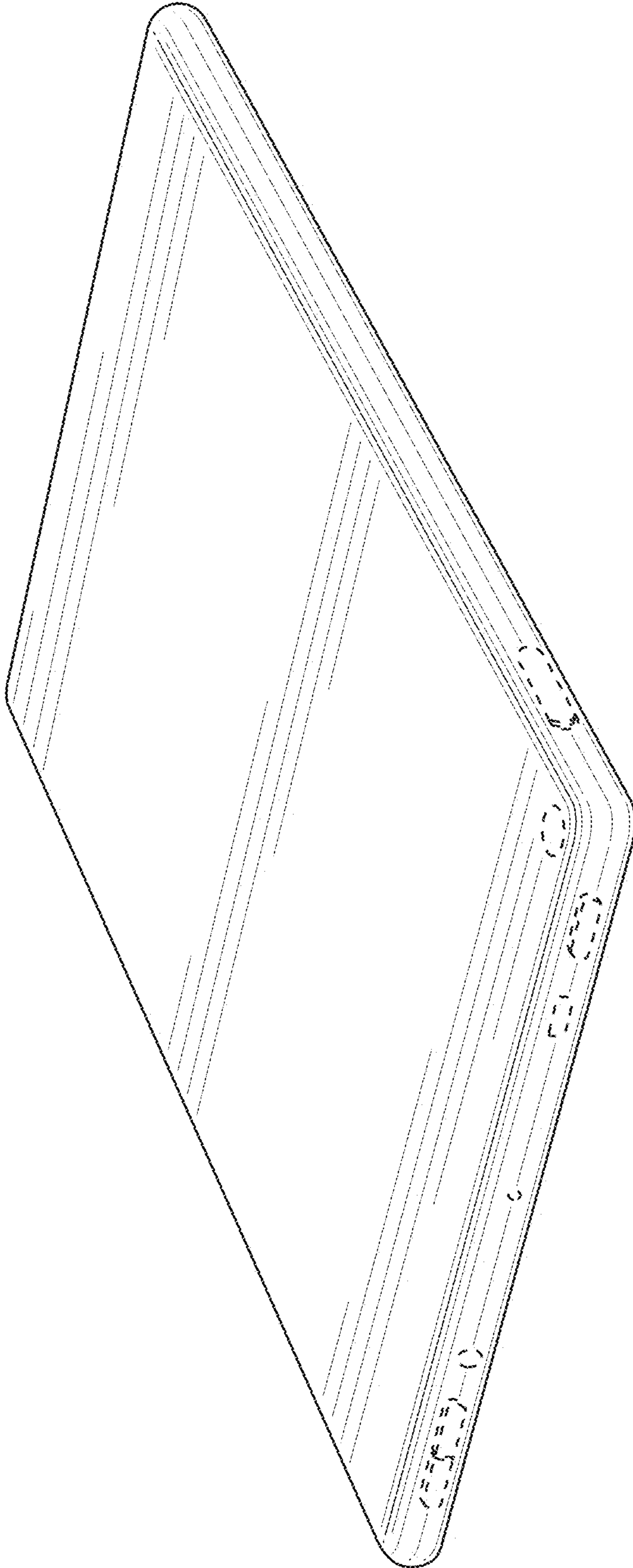


FIG. 38

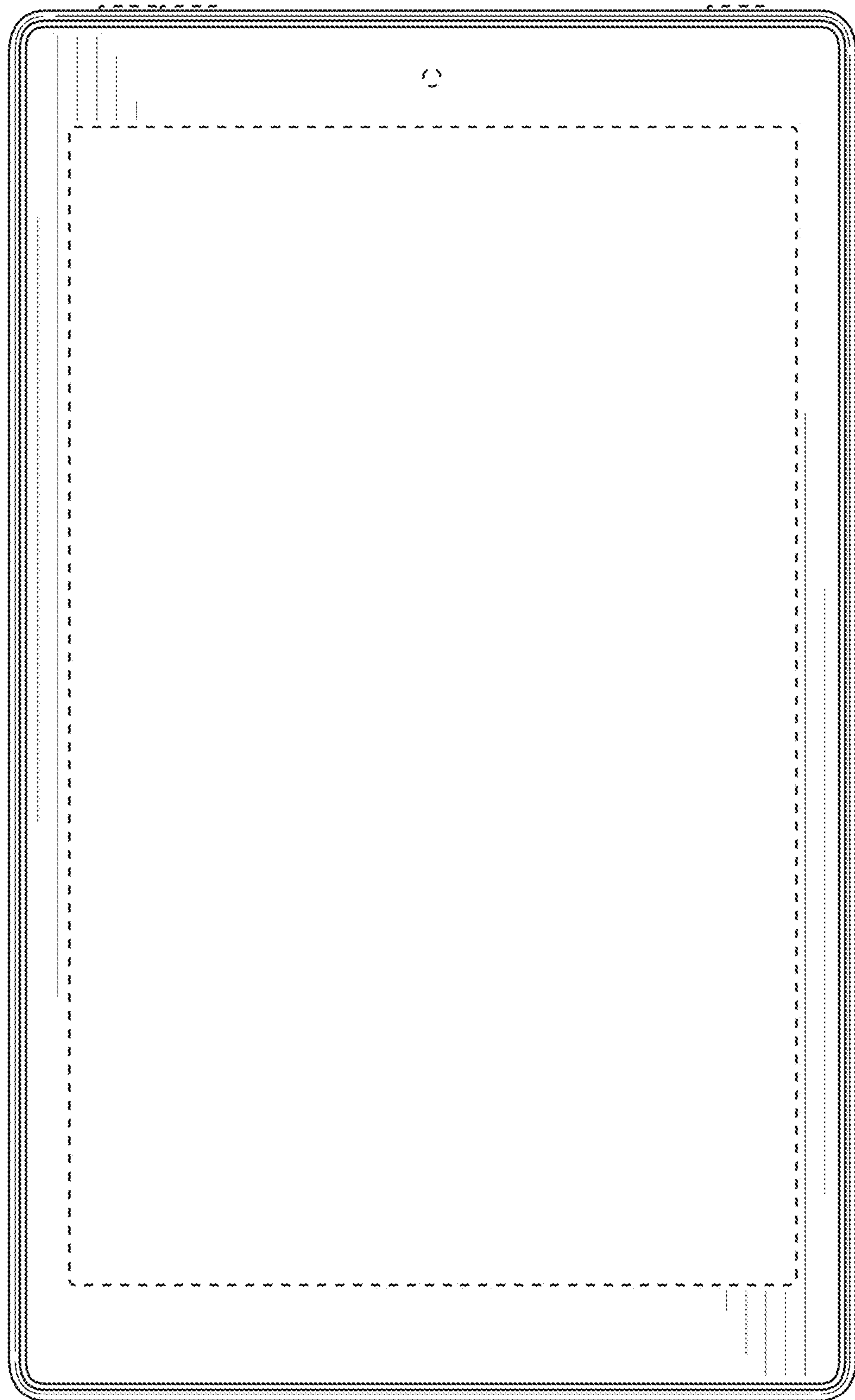


FIG. 39

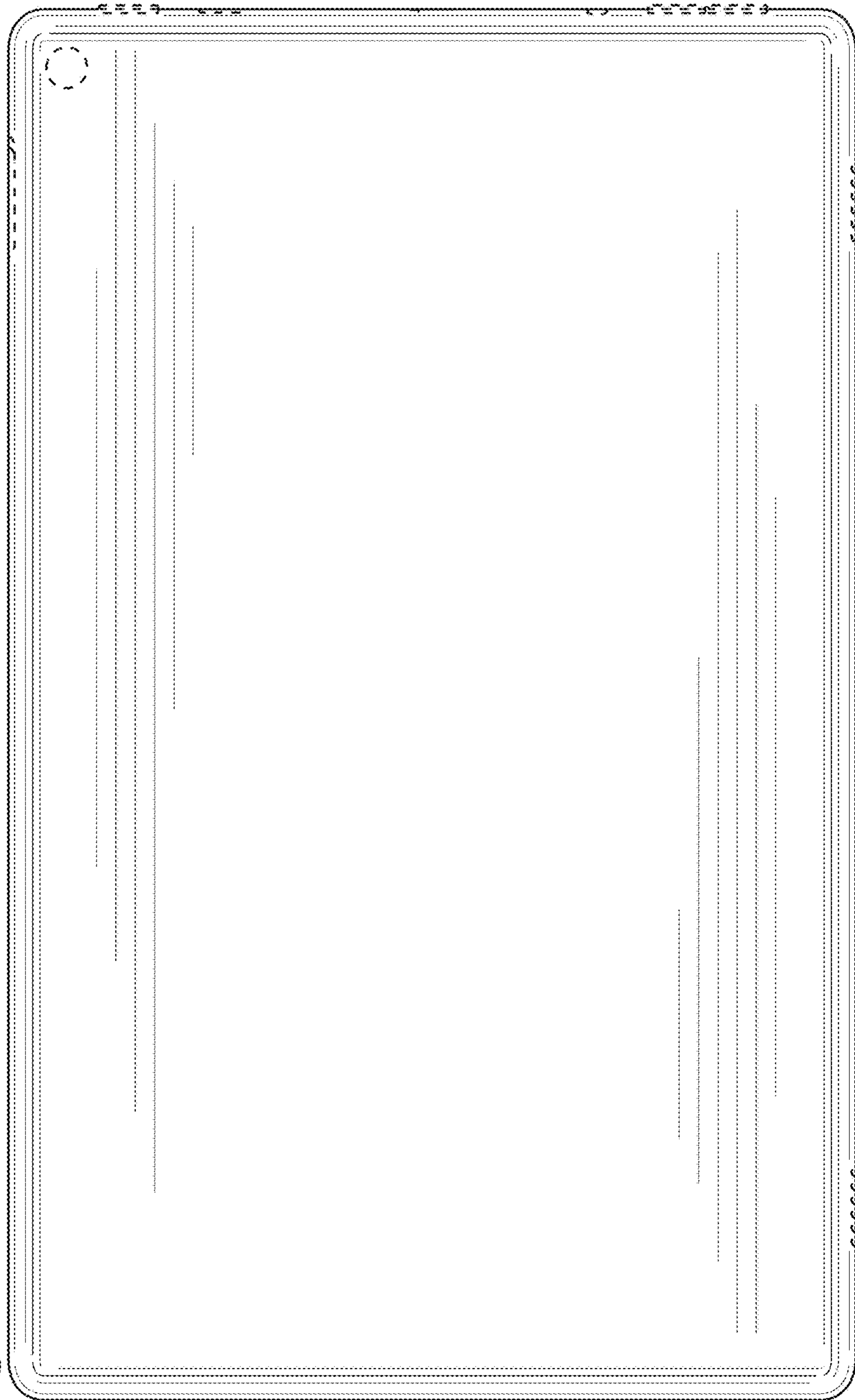


FIG. 40

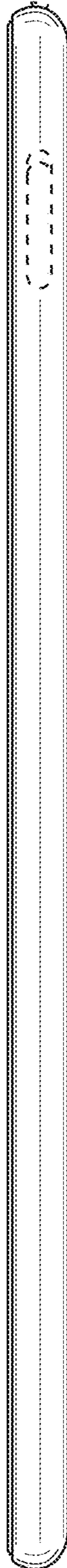


FIG. 41

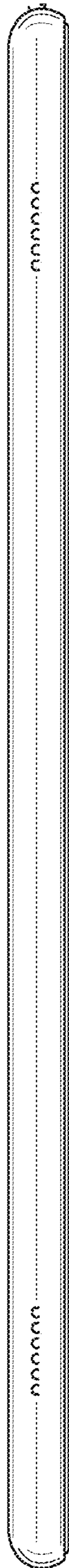


FIG. 42

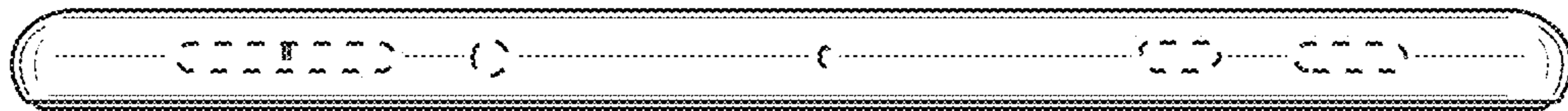


FIG. 43



FIG. 44

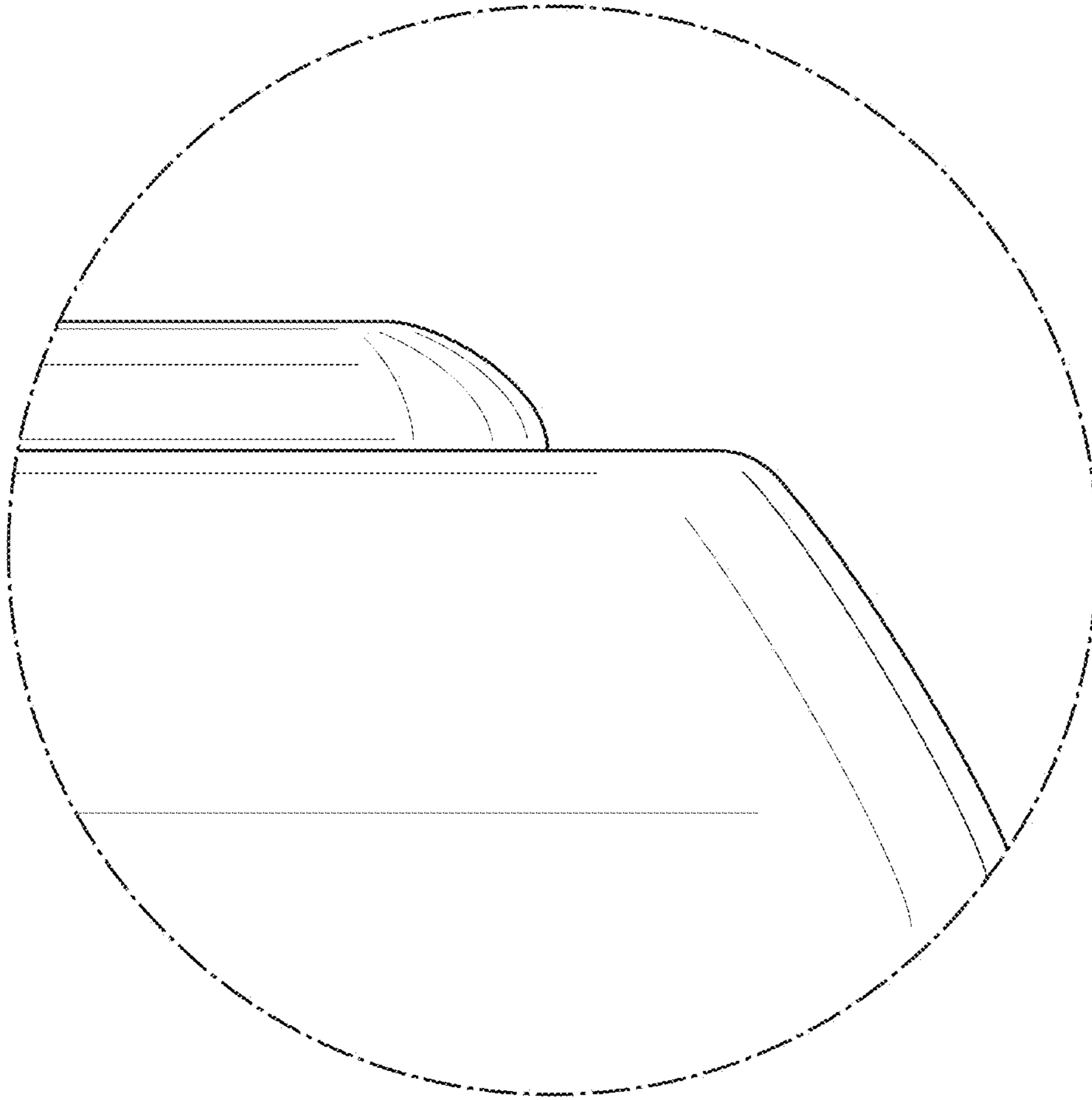


FIG. 45

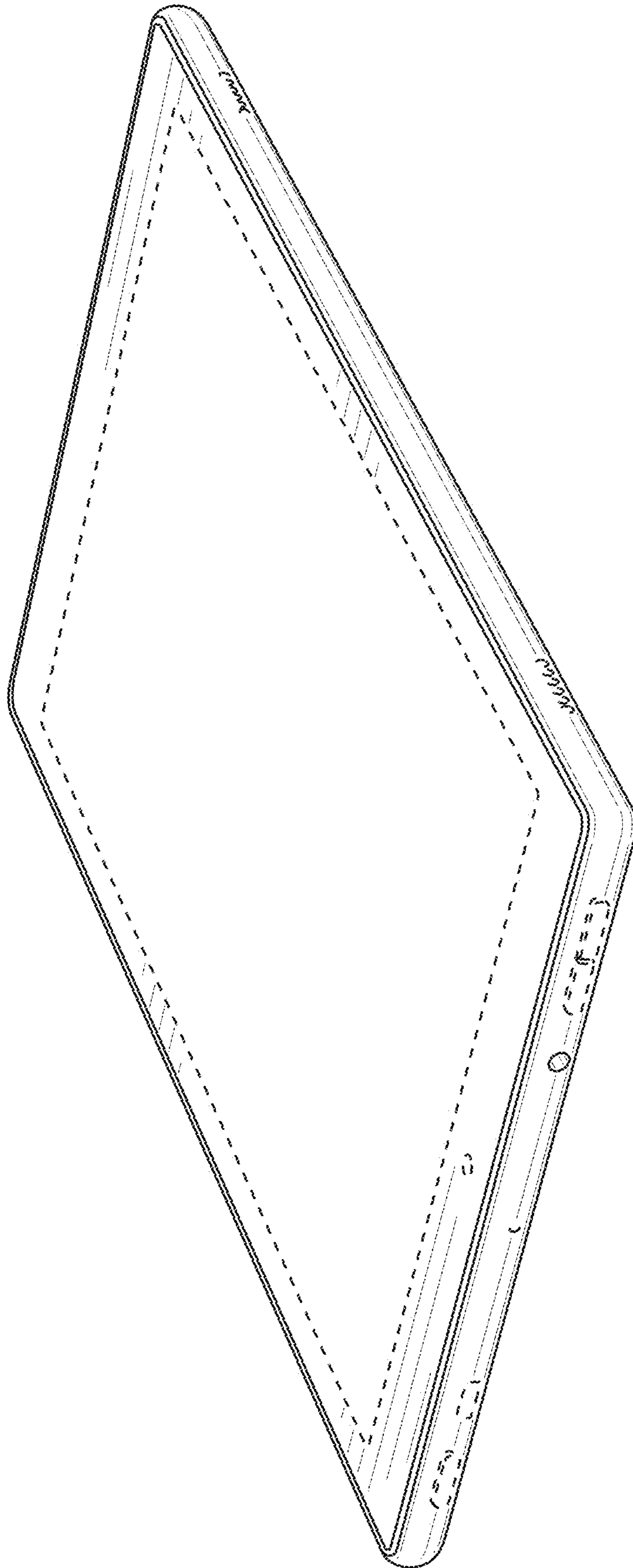


FIG. 46

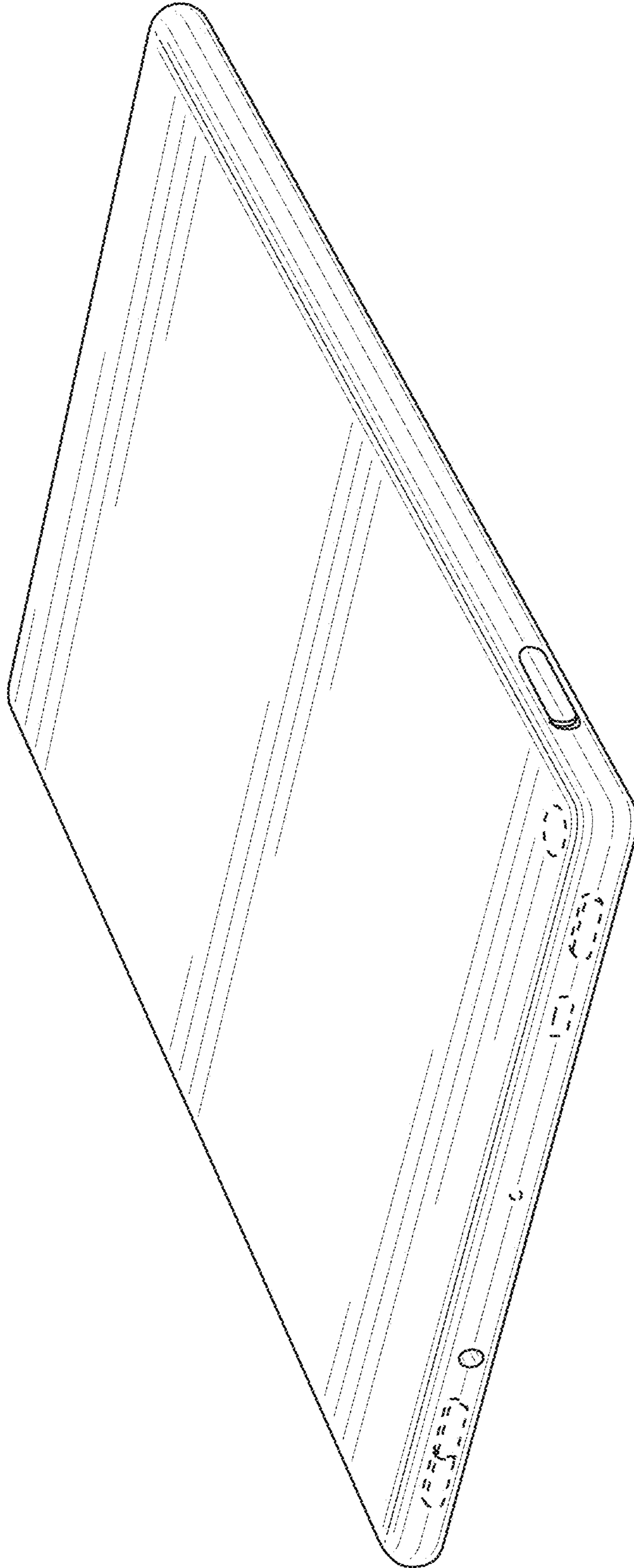


FIG. 47

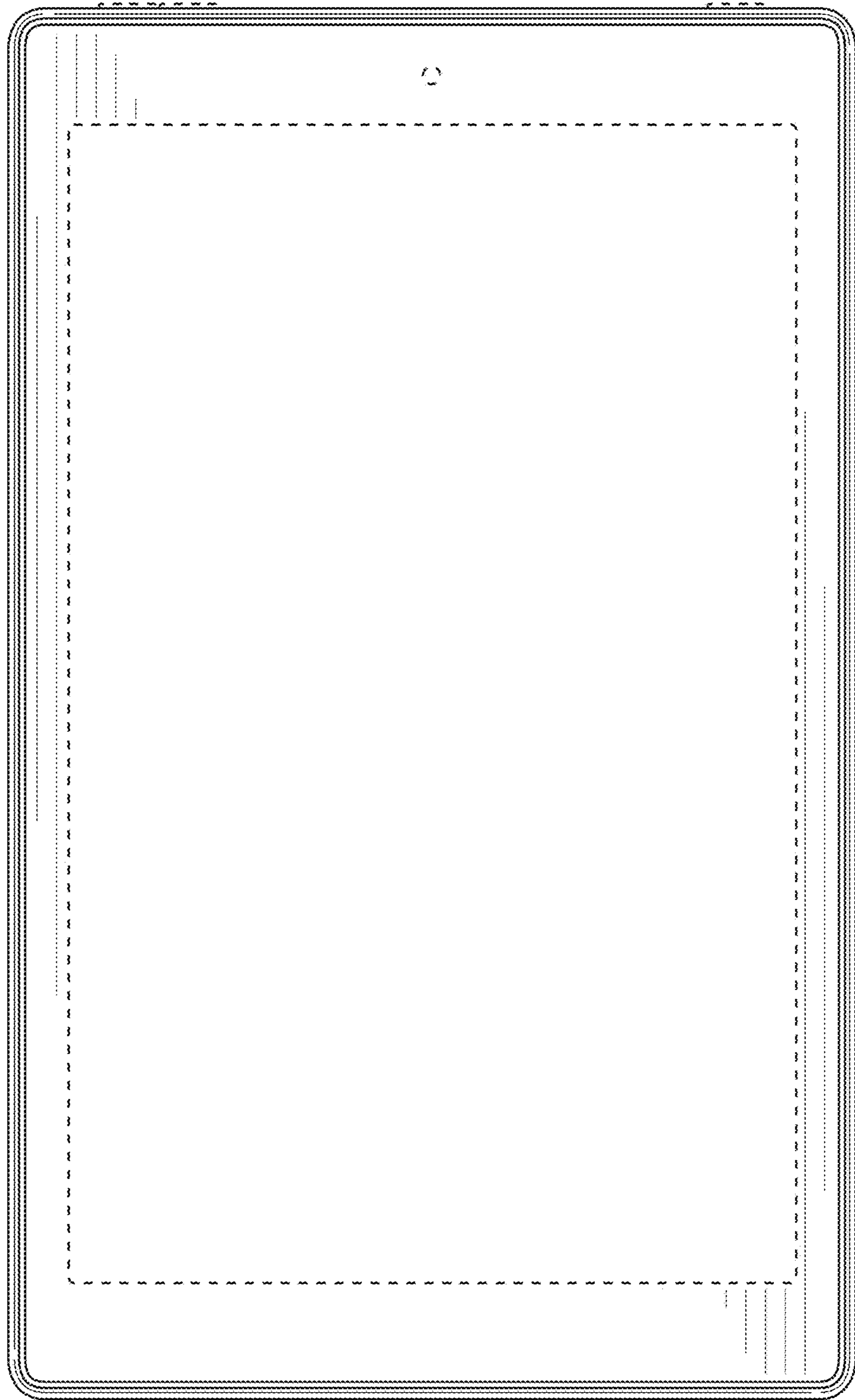


FIG. 48

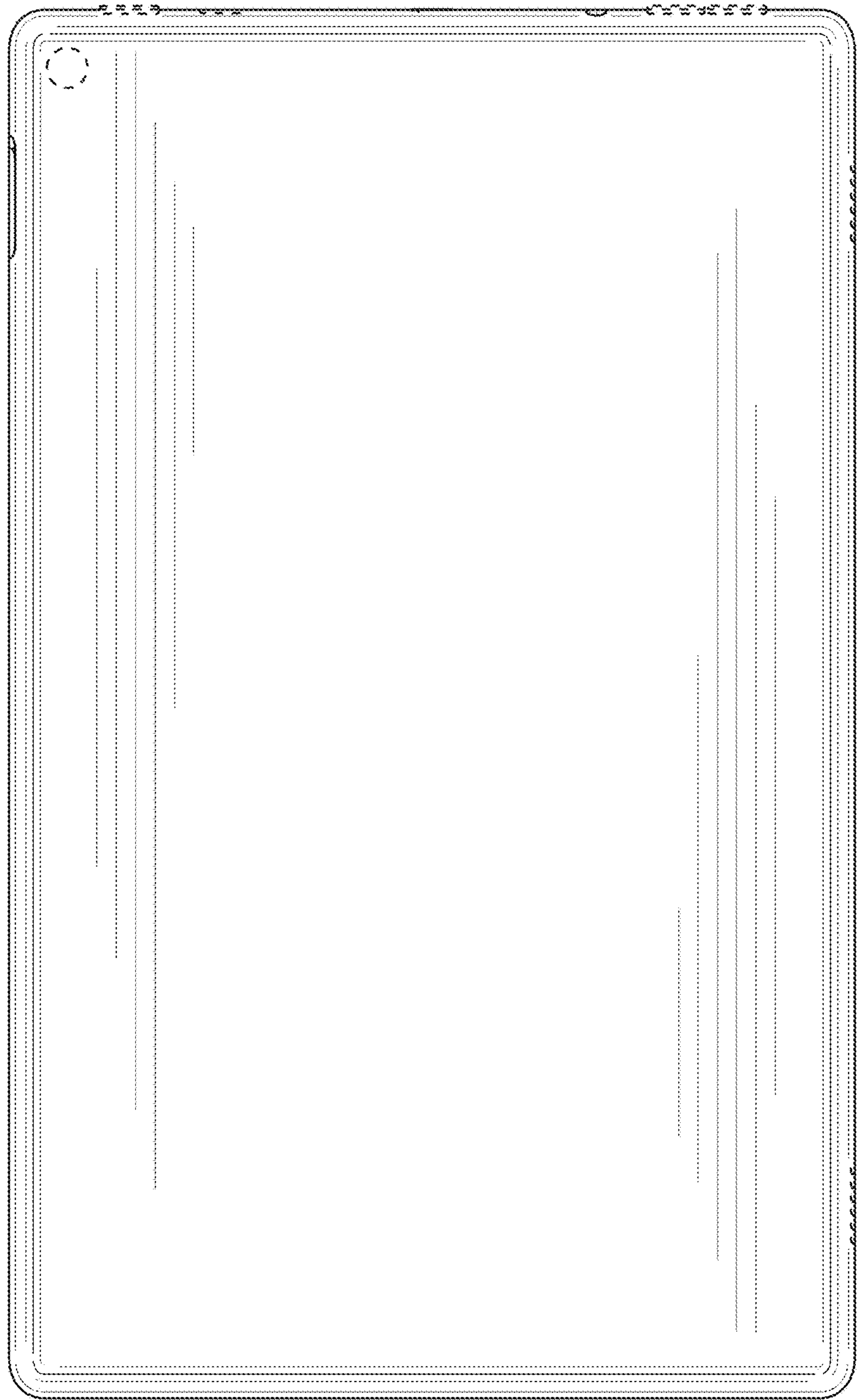


FIG. 49



FIG. 50

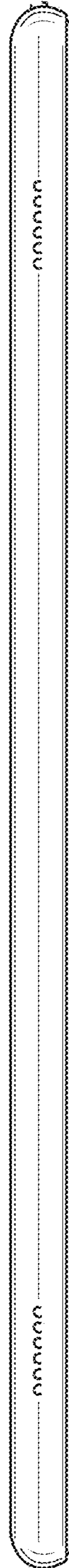


FIG. 51



FIG. 52



FIG. 53

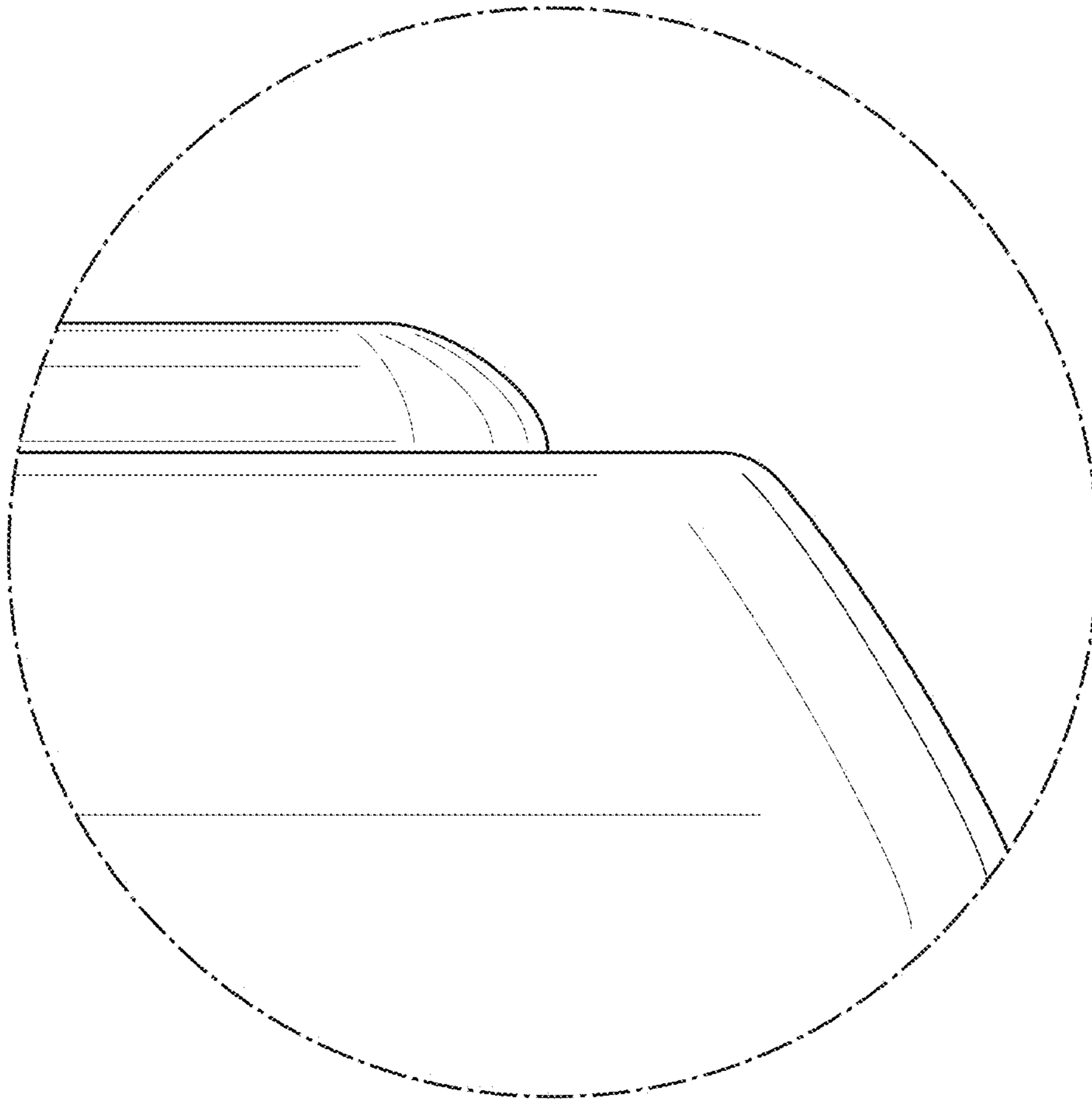


FIG. 54