



US00D908692S

(12) **United States Design Patent** (10) **Patent No.:** **US D908,692 S**
Biddle et al. (45) **Date of Patent:** **** *Jan. 26, 2021**

(54) **ELECTRONIC DEVICE**
(71) Applicant: **Amazon Technologies, Inc.**, Seattle, WA (US)

D684,969 S * 6/2013 Smith D14/341
D693,787 S * 11/2013 Reivo D14/138 G
D698,785 S * 2/2014 Canizares D14/341
(Continued)

(72) Inventors: **Jonathan Howard Biddle**, San Francisco, CA (US); **Shih-Tao Chang**, Sunnyvale, CA (US)

FOREIGN PATENT DOCUMENTS

CN 303605343 * 3/2016
CN 304130205 * 5/2017
(Continued)

(73) Assignee: **Amazon Technologies, Inc.**, Seattle, WA (US)

OTHER PUBLICATIONS

(*) Notice: This patent is subject to a terminal disclaimer.

Fire Tablet with Alexa, announced Oct. 2, 2015 [online], [site visited Oct. 5, 2017], Available on Internet URL: <https://www.amazon.com/Amazon-Fire-7-Inch-Tablet-8GB/dp/B00TSUGXKE>.*

(**) Term: **15 Years**

(Continued)

(21) Appl. No.: **29/567,984**

(22) Filed: **Jun. 14, 2016**

Primary Examiner — Dana K Weiland

(51) **LOC (13) Cl.** **14-02**

Assistant Examiner — Mary Claire Ramirez

(52) **U.S. Cl.**
USPC **D14/341**

(74) *Attorney, Agent, or Firm* — Lee & Hayes, P.C.

(58) **Field of Classification Search**

(57) **CLAIM**

USPC D14/341–347, 137, 138 R, 138 AA, D14/138 C, 138 G, 496, 203.1, 203.2, D14/203.4, 203.7, 129, 130, 147, 218, D14/248, 389, 388, 426, 420, 440, 432; D10/50, 60, 65, 104.1; D21/324, 329; D34/29; D11/12, 13; D13/103; D18/6; D6/524

The ornamental design for an electronic device, as shown and described.

DESCRIPTION

CPC F16M 11/20; F16M 13/00; A63H 33/3016; G06F 1/1613; G06F 1/1647; G06F 1/1641; G06F 3/04883; G06F 3/0486; H04M 1/0279; H04M 1/0281; H04M 1/0283
See application file for complete search history.

FIG. 1 is a top, left, front perspective view of an electronic device showing the new design;
FIG. 2 is a top, right, back perspective view thereof;
FIG. 3 is a front view thereof;
FIG. 4 is a back view thereof;
FIG. 5 is a right-side view thereof;
FIG. 6 is a left-side view thereof;
FIG. 7 is a top view thereof;
FIG. 8 is a bottom view thereof; and,
FIG. 9 is an enlarged view of a section indicated by the circle shown in FIG. 8.

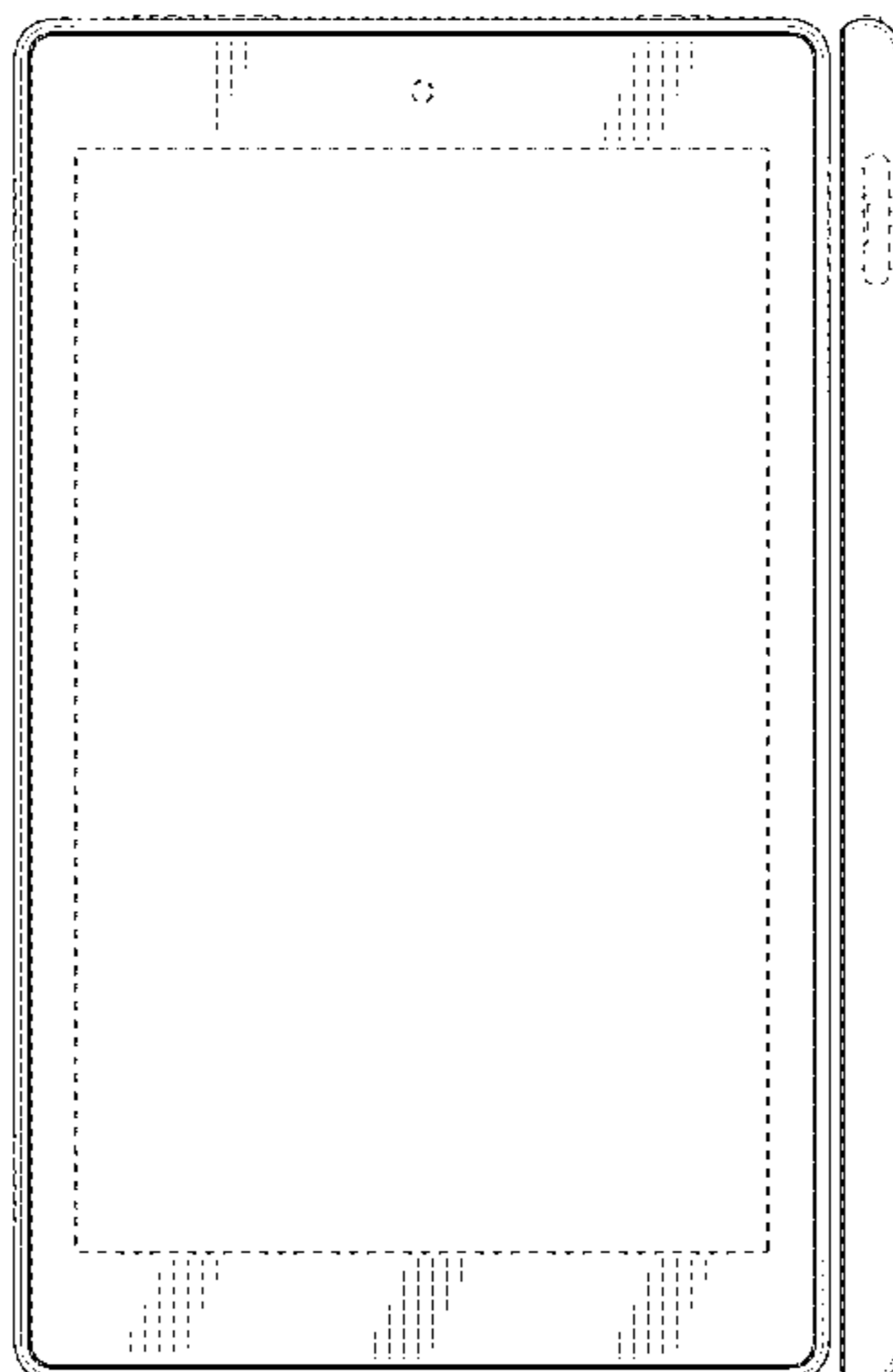
The broken lines shown in the drawings depict portions of the electronic device that form no part of the claimed design.

(56) **References Cited**

U.S. PATENT DOCUMENTS

D636,769 S * 4/2011 Wood D14/341
D654,074 S * 2/2012 Wood D14/341
D680,524 S * 4/2013 Feng D14/341

1 Claim, 7 Drawing Sheets



(56)

References Cited

U.S. PATENT DOCUMENTS

D705,775 S * 5/2014 Canizares D14/341
D707,223 S * 6/2014 Akana D14/341
D710,349 S * 8/2014 Han D14/341
D712,400 S * 9/2014 Kim D14/341
D716,250 S * 10/2014 Becker D14/138 G
D725,651 S * 3/2015 Green D14/341
D726,716 S * 4/2015 Green D14/341
D734,326 S * 7/2015 McManigal D14/341
D736,202 S * 8/2015 Solomon D14/341
D737,270 S * 8/2015 Young D14/341
D738,341 S * 9/2015 Choi D14/138 G
D741,831 S * 10/2015 Kozlovskaya D14/138 G
D742,847 S * 11/2015 Ryu D14/138 G
D743,704 S * 11/2015 Kaiser D6/300
D750,621 S * 3/2016 Loor Canizares D14/341
D753,103 S * 4/2016 Yokoyama D14/341
D753,105 S * 4/2016 Chang D14/341
D754,090 S * 4/2016 Tai D14/138 G
D756,947 S * 5/2016 Walliser D14/138 G
D757,713 S * 5/2016 Yamazaki D14/341
D760,681 S * 7/2016 Chuang D14/138 G
D760,715 S * 7/2016 Chang D14/341
D766,889 S * 9/2016 Akana D14/203.7
D771,619 S * 11/2016 Akana D14/341
D771,621 S * 11/2016 Park D14/341
D776,121 S * 1/2017 Mecchella D14/440
D778,904 S * 2/2017 Akana D14/341
D783,600 S * 4/2017 Green D14/341
D786,238 S * 5/2017 Roberts D14/341
D789,356 S * 6/2017 Cebe D14/315
D794,630 S * 8/2017 Pendse D14/341
D795,249 S * 8/2017 Wall D14/341
D795,264 S * 8/2017 Wright D14/439
D795,827 S * 8/2017 Seo D14/138 G
D798,260 S * 9/2017 Seo D14/138 G
D799,476 S * 10/2017 Sakatsume D14/341
D800,716 S * 10/2017 Akana D14/341
D803,830 S * 11/2017 Cho D14/341
D805,068 S * 12/2017 Satzger D14/341
D808,957 S * 1/2018 Tian D14/341
D822,015 S * 7/2018 Biddle D14/341
D822,017 S * 7/2018 Noh D14/341
D825,555 S * 8/2018 Lee D14/341
D835,097 S * 12/2018 Morgan D14/341
D835,598 S * 12/2018 Cho D14/138 G
D839,266 S * 1/2019 Chang D14/341
D843,368 S * 3/2019 Fan D14/341
D847,132 S * 4/2019 Akana D14/341
D847,809 S * 5/2019 Akana D14/341
D856,322 S * 8/2019 Huebner D14/341
D858,513 S * 9/2019 Huh D14/341
D866,549 S * 11/2019 Kim D14/341
D869,459 S * 12/2019 Wan D14/341
D869,460 S * 12/2019 Andre D14/341
D870,100 S * 12/2019 Li D14/341
D870,102 S * 12/2019 Akana D14/341
D873,265 S * 1/2020 Wall D14/341
D874,460 S * 2/2020 Mitchell D14/389
D878,363 S * 3/2020 Zhai D14/341
D879,772 S * 3/2020 Wall D14/341
2011/0070929 A1 * 3/2011 Li H04B 1/3818
455/575.1

FOREIGN PATENT DOCUMENTS

JP D1579807 * 6/2017
JP D1579808 * 6/2017

KR 300875917.0000 * 10/2016
KR 3009075290001 * 5/2017
KR 3009075290002 * 5/2017

OTHER PUBLICATIONS

Amazon's next Fire tablet, announced Sep. 16, 2015 [online], [site visited Oct. 5, 2017], Available on Internet URL: <<https://www.engadget.com/2015/09/16/amazon-10-inch-kindle-fire-tablet/>>.*
The Indian Office Action dated Dec. 13, 2016 for Indian Design Application No. 288956, a counterpart foreign application of Design U.S. Appl. No. 29/567,984, 2 pages.
The Indian Office Action dated Dec. 14, 2016 for Indian Design Application No. 288955, a counterpart foreign application of Design U.S. Appl. No. 29/567,984, 2 pages.
The Canadian Office Action dated Mar. 2, 2017 for Canadian Design Application No. 171766, a counterpart foreign application of Design U.S. Appl. No. 29/567,984, 1 page.
The Canadian Office Action dated Mar. 2, 2017 for Canadian Design Application No. 171767, a counterpart foreign application of Design U.S. Appl. No. 29/567,984, 1 page.
The Canadian Office Action dated Mar. 2, 2017 for Canadian Design Application No. 171768, a counterpart foreign application of Design U.S. Appl. No. 29/567,984, 1 page.
The Chinese Office Action dated Apr. 20, 2017 for Chinese design application No. 201630601156.5, a counterpart foreign application of Design U.S. Appl. No. 29/567,984, 1 pages.
The Korean Office Action dated May 23, 2017 for Korean Design Application No. 30-2016-59028 M001, a counterpart foreign application of Design U.S. Appl. No. 29/567,984, 2 pages.
The Korean Office Action dated May 23, 2017 for Korean Design Application No. 30-2016-59028 M002, a counterpart foreign application of Design U.S. Appl. No. 29/567,984, 2 pages.
The Korean Office Action dated May 23, 2017 for Korean Design Application No. 30-2016-59028 M003, a counterpart foreign application of Design U.S. Appl. No. 29/567,984, 2 pages.
The Hearing Letter dated Oct. 12, 2017 for Indian design application No. 88955, a counterpart foreign application of Design U.S. Appl. No. 29/567,984, 1 page.
The Canadian Office Action dated Mar. 19, 2018 for Canadian design application No. 177013, a counterpart foreign application of Design U.S. Appl. No. 29/598,854, 1 page.
The Canadian Office Action dated Mar. 19, 2018 for Canadian design application No. 177012, a counterpart foreign application of Design U.S. Appl. No. 29/598,854, 1 page.
The Canadian Office Action dated Jun. 29, 2018 for Canadian design application No. 177012, a counterpart foreign application of Design U.S. Appl. No. 29/598,854, 2 pages.
The Chinese Office Action dated Mar. 20, 2018 for Chinese design application No. 201730449507.X, a counterpart foreign application of Design U.S. Appl. No. 29/598,854.
The Indian Office Action dated Oct. 13, 2017 for Indian design application No. 297648, a counterpart design application of Design U.S. Appl. No. 29/598,854, 2 pages.
The Indian Office Action dated Oct. 4, 2017 for Indian design application No. 297647, a counterpart design application of Design U.S. Appl. No. 29/598,854, 2 pages.
The Korean Office Action dated Feb. 1, 2018 for Korean Design Application No. 30-2017-0044037, a counterpart foreign application of Design U.S. Appl. No. 29/598,854.
Office Action for U.S. Appl. No. 29/598,854, dated Oct. 20, 2017, Biddle, "Electronic Device" 8 pages.
Non Final Office Action dated Nov. 15, 2019 for U.S. Appl. No. 29/598,854 "Electronic Device" Biddle, 12 pages.
Office Action for U.S. Appl. No. 29/598,854, dated Jun. 9 2020, Biddle, "Electronic Device", 10 Pages.

* cited by examiner

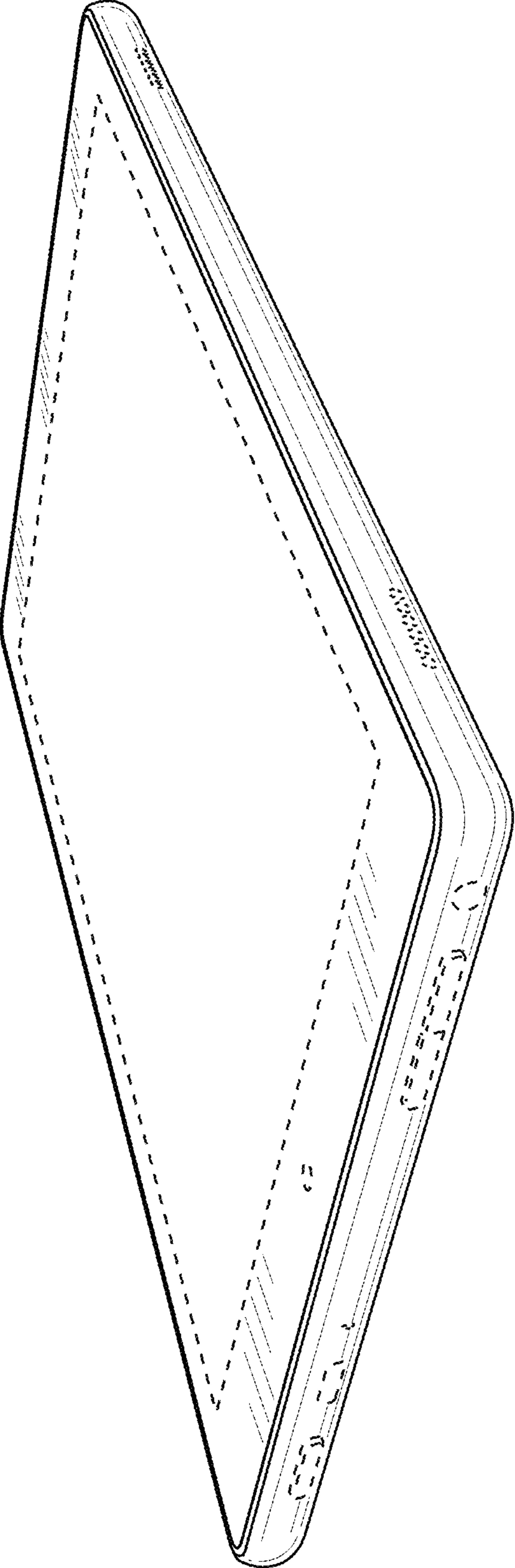


FIG. 1

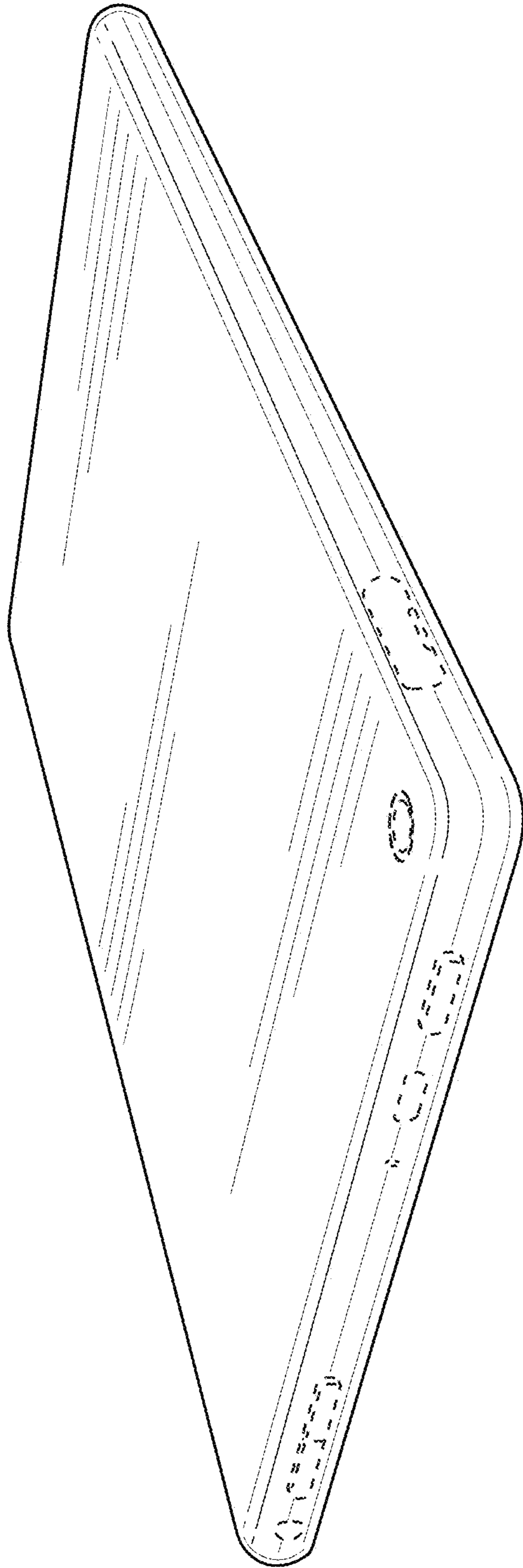


FIG. 2

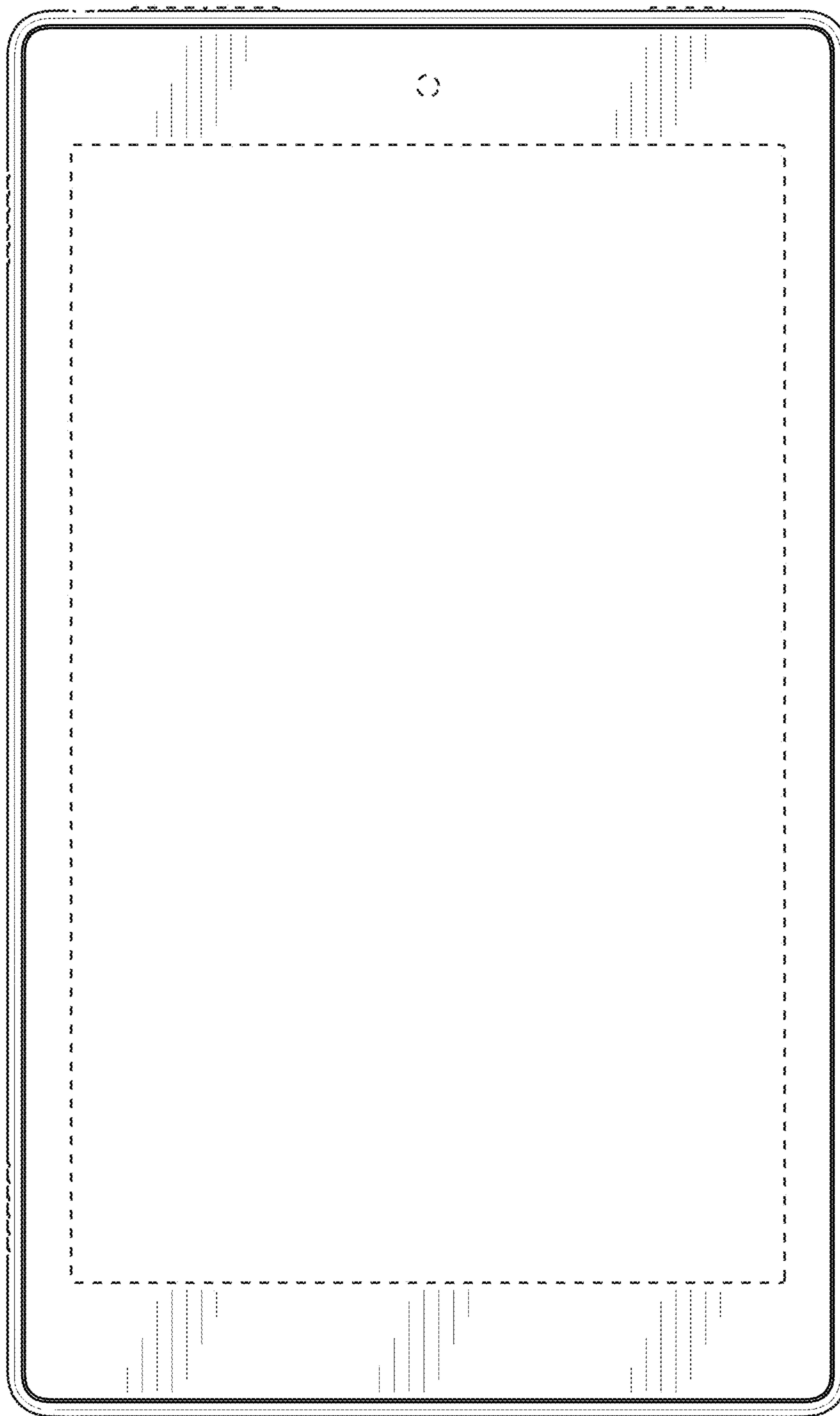


FIG. 3

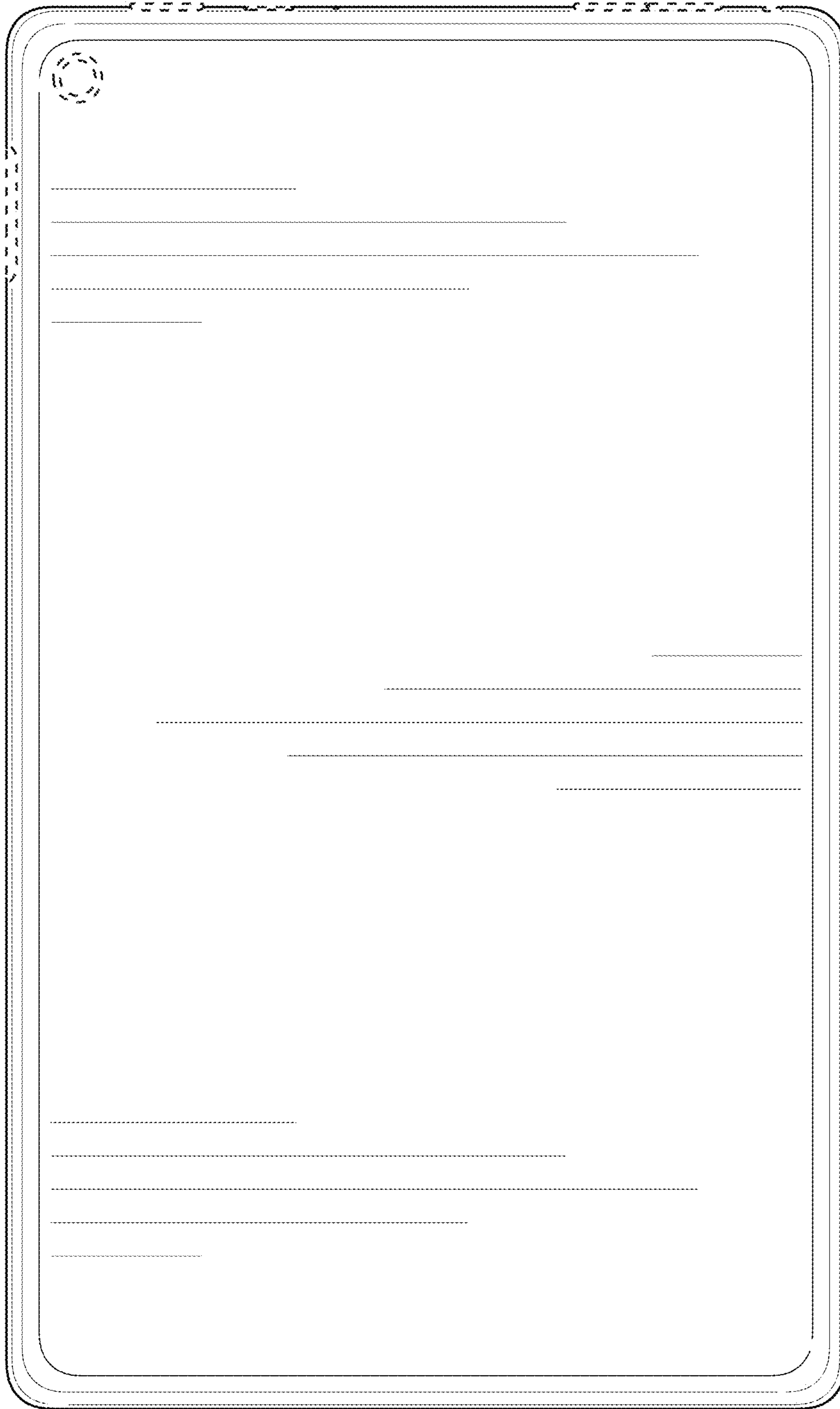


FIG. 4

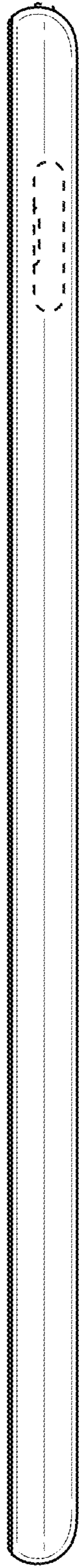


FIG. 5



FIG. 6

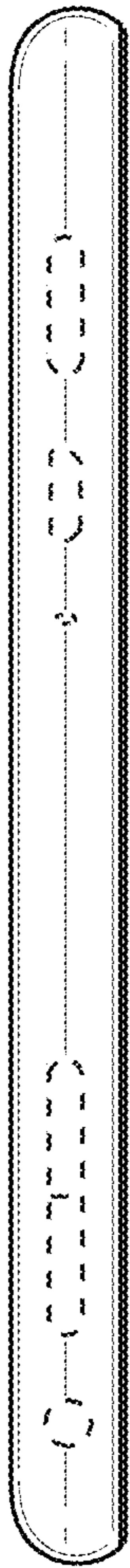


FIG. 7

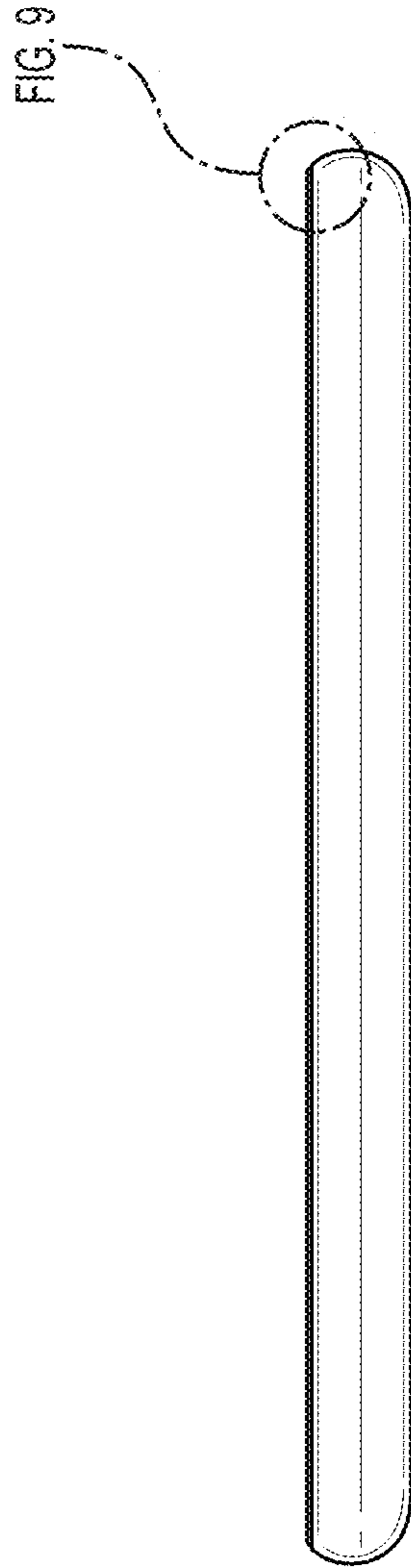


FIG. 8

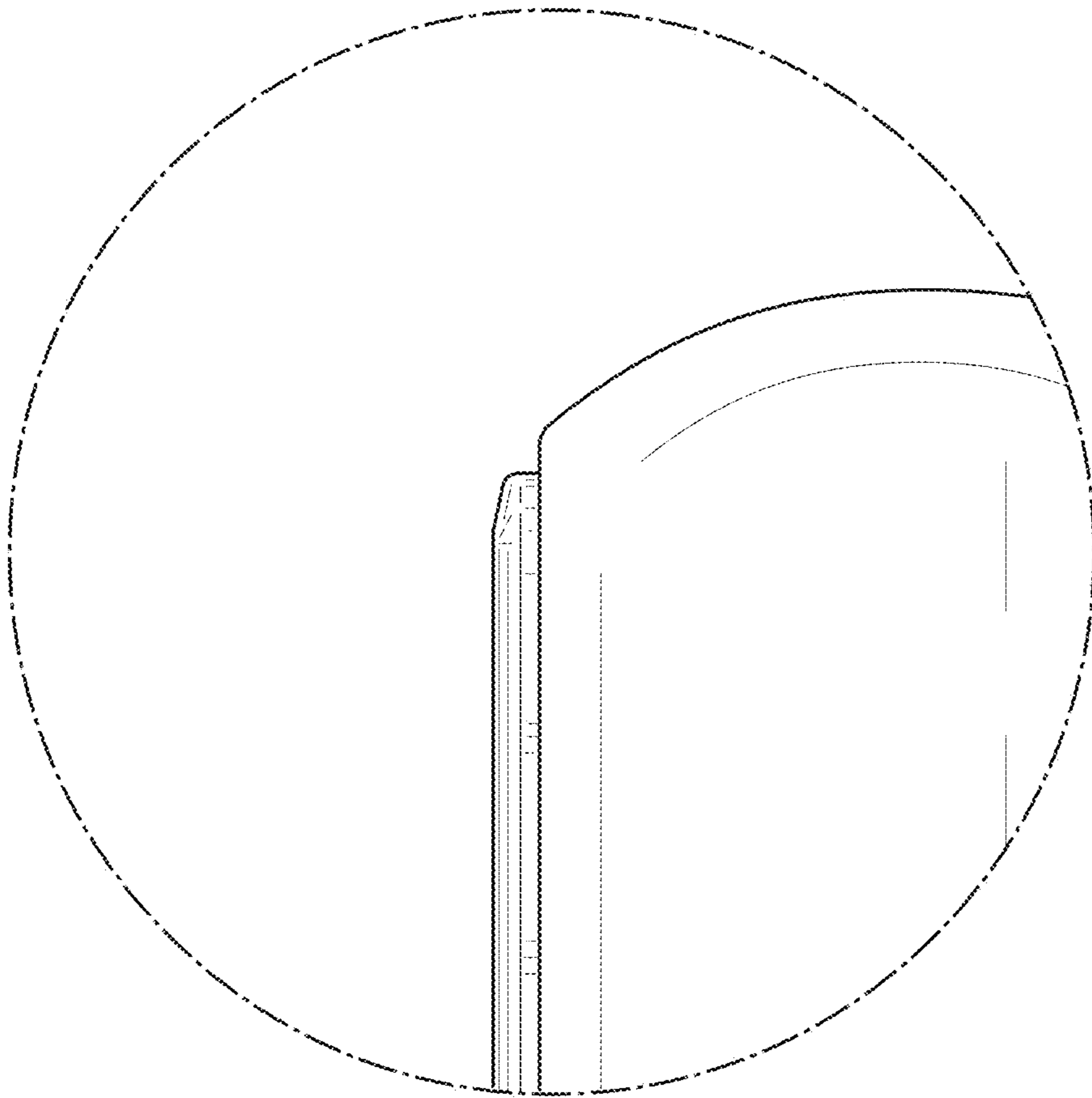


FIG. 9