



US00D908691S

(12) **United States Design Patent** (10) **Patent No.:** **US D908,691 S**
Telem (45) **Date of Patent:** **** Jan. 26, 2021**

(54) **MIRROR BOOTH**

FOREIGN PATENT DOCUMENTS

(71) Applicant: **FOTOMASTER, LLC**, Wilmington, DE (US)

CN 01340877.1 9/2001
CN 201430466453.4 11/2014

(Continued)

(72) Inventor: **Boaz Telem**, Nes Tziona (IL)

OTHER PUBLICATIONS

(73) Assignee: **FOTOMASTER, LLC**, Wilmington, DE (US)

Foto Master, Mirror X Booth at Evens: A New Year's Party, Feb. 21, 2019, YouTube, <https://www.youtube.com/watch?v=QpUddyh-4BA> (Year: 2019).*

(**) Term: **15 Years**

(Continued)

(21) Appl. No.: **29/699,777**

(22) Filed: **Jul. 29, 2019**

Primary Examiner — Brett Miller

(51) **LOC (13) Cl.** **14-02**

(74) *Attorney, Agent, or Firm* — Browdy and Neimark, PLLC

(52) **U.S. Cl.**

USPC **D14/307**; D16/215

(58) **Field of Classification Search**

USPC D25/16; D14/307, 900-901, 129, 126, D14/133, 302, 127; D99/28, 43; D16/214, 215, 202, 203; D20/1, 10

CPC G07F 19/205; G03B 17/53

See application file for complete search history.

(57) **CLAIM**

The ornamental design for a mirror booth, as shown and described.

DESCRIPTION

FIG. 1 is a top-front perspective view of a mirror booth showing my new design;

FIG. 2 is a bottom-front perspective view thereof;

FIG. 3 is a top-rear perspective view thereof;

FIG. 4 is a bottom-rear perspective view thereof;

FIG. 5 is a front elevational view thereof;

FIG. 6 is a rear elevational view thereof;

FIG. 7 is a left elevational view thereof;

FIG. 8 is a right elevational view thereof;

FIG. 9 is a top plan view thereof; and,

FIG. 10 is a bottom plan view thereof.

The broken lines immediately adjacent the shaded areas represent the bounds of the claimed design while all other broken lines are direct to environment and are for illustrative purposes only; the broken lines form no part of the claimed design.

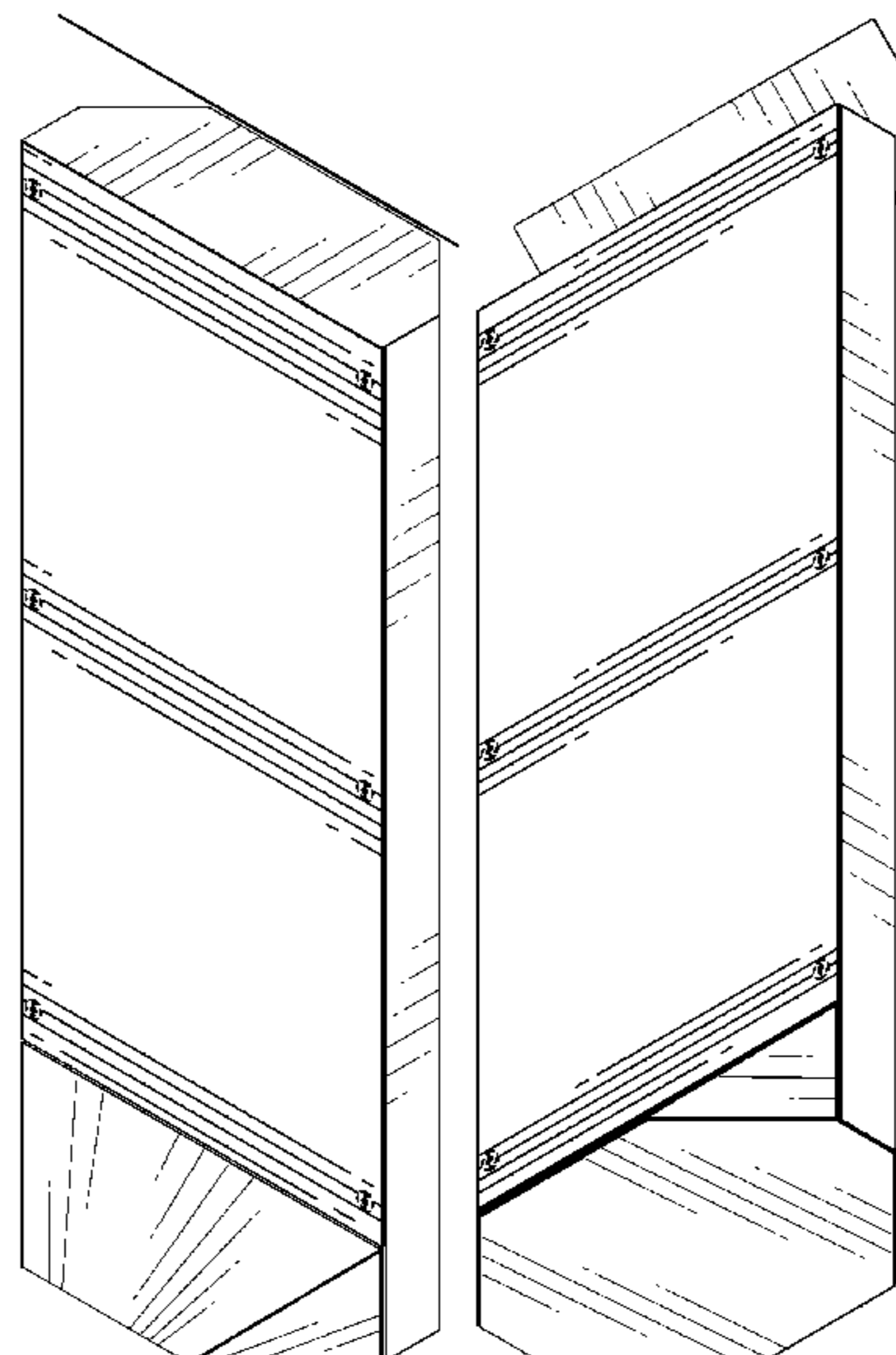
(56) **References Cited**

U.S. PATENT DOCUMENTS

5,091,791 A	2/1992	Mitchell	
D408,835 S *	4/1999	Tiedemann	D16/215
D411,582 S *	6/1999	Muraki	D21/325
D525,713 S *	7/2006	Charette	D24/209
D546,890 S *	7/2007	Siler	D20/1
D698,391 S *	1/2014	d'Amore	D20/1
D705,445 S *	5/2014	Bolos	D25/16
D732,015 S *	6/2015	Alekhin	D14/307
D776,651 S *	1/2017	Yates	D14/307
D788,098 S *	5/2017	Thornton	D14/307
D799,473 S *	10/2017	Brown	D14/307
D830,982 S *	10/2018	Bakshi	D14/126
D849,104 S *	5/2019	Wong	D16/215
D868,014 S *	11/2019	Kim	D14/126
D876,346 S *	2/2020	Mercer	D13/107

(Continued)

1 Claim, 10 Drawing Sheets



(56)

References Cited

U.S. PATENT DOCUMENTS

D877,104 S * 3/2020 Khan D14/126
D882,669 S * 4/2020 Thompson D16/219
D883,278 S * 5/2020 Yepez D14/307
D885,705 S * 5/2020 Pieratt D99/28
D886,096 S * 6/2020 Mangeot D14/307
D894,250 S * 8/2020 Hur D16/202
2018/0176460 A1 6/2018 Telem
2020/0133093 A1* 4/2020 King 17/53

FOREIGN PATENT DOCUMENTS

CN 204066264 12/2014
CN 209514268 10/2019
EM 003456979-0003 11/2016
EM 004749687-0001 3/2018
EM 006654786-0001 7/2019
FR 972665-001 4/1997
GB 003752153-0001 2/2017
JP 2017014997 7/2019
SG D2014536 H 4/2014
SG 30201805715X 10/2018
TW D176691 10/2015

OTHER PUBLICATIONS

<https://eagle-groups.en.alibaba.com> downloaded Dec. 16, 2019,
Shenzhen Eagle Technology Co., Ltd., "Photo Booth", Copyright,
1999-2019.

<https://fotomasterltd.net/products/mirror-x-booth/> downloaded Dec.
17, 2019, Foto Master, "Mirror X Booth", Nov. 2018.

* cited by examiner

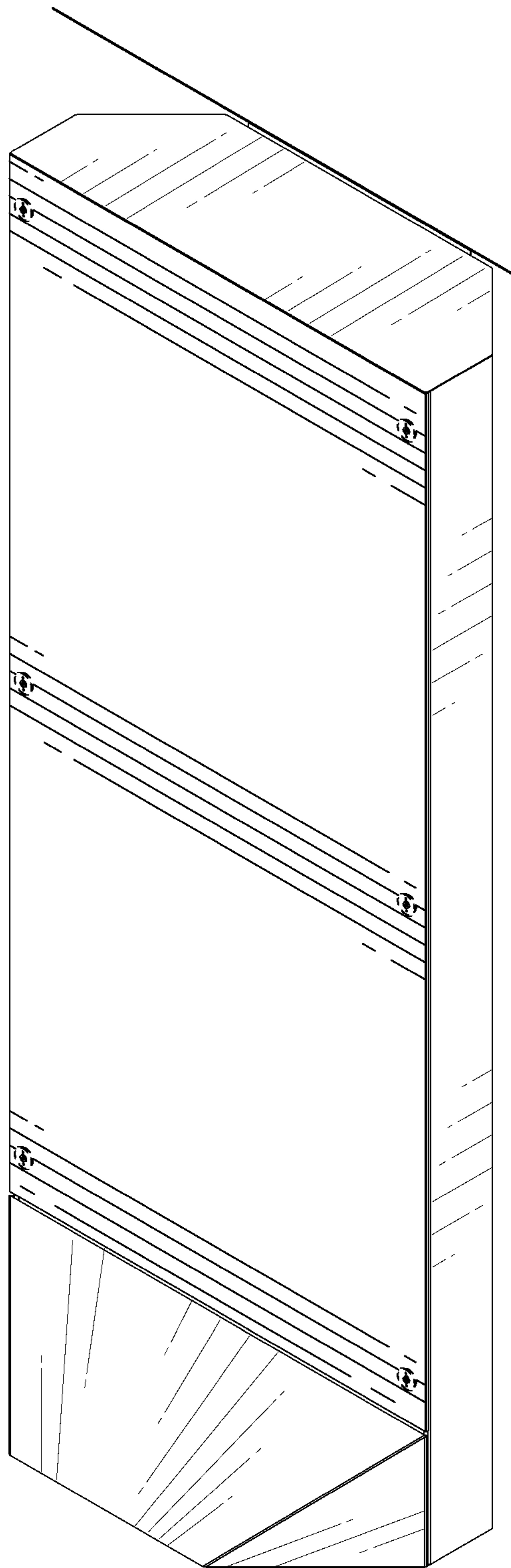


FIG. 1

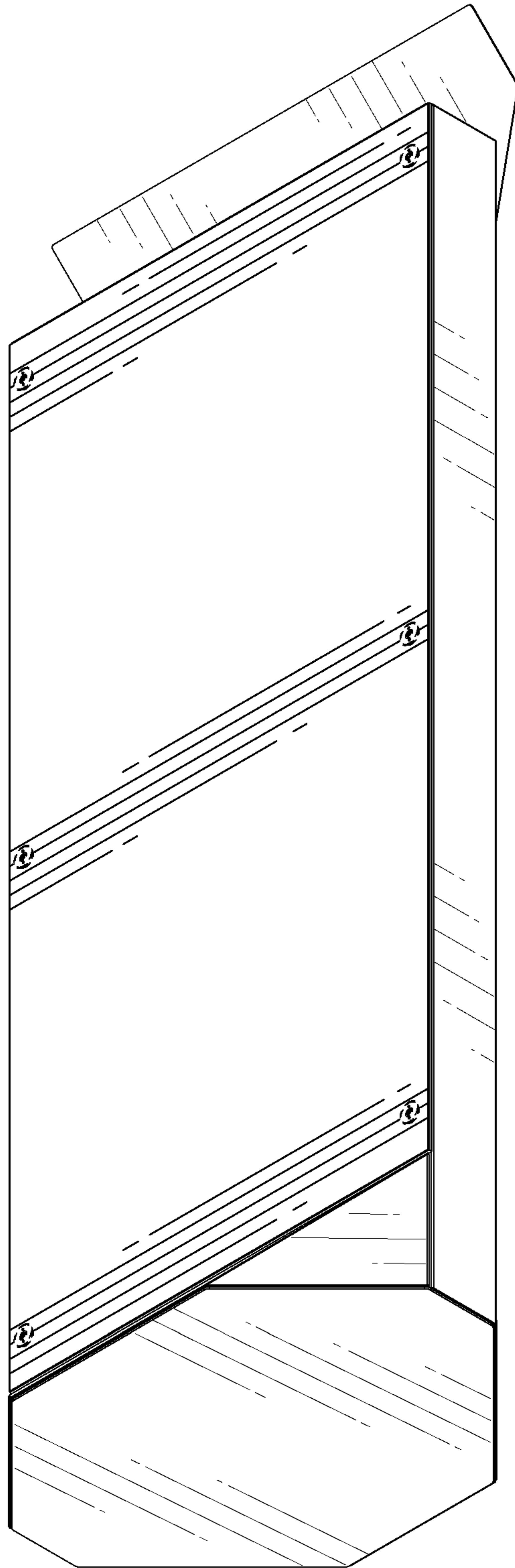


FIG. 2

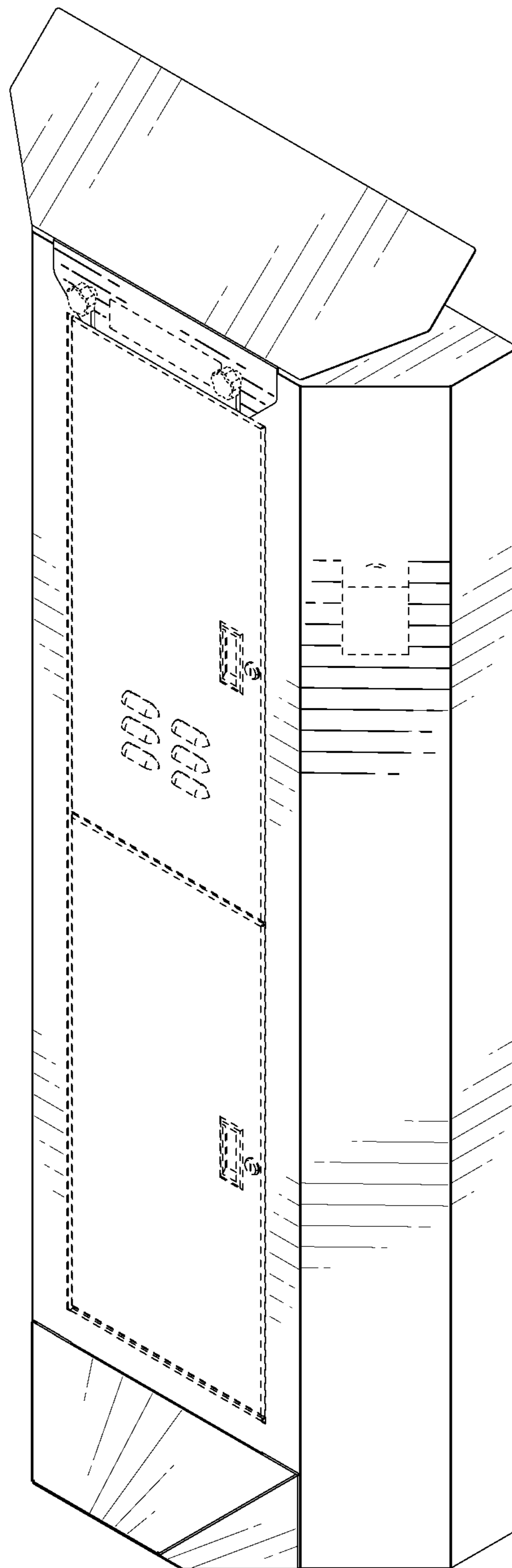


FIG. 3

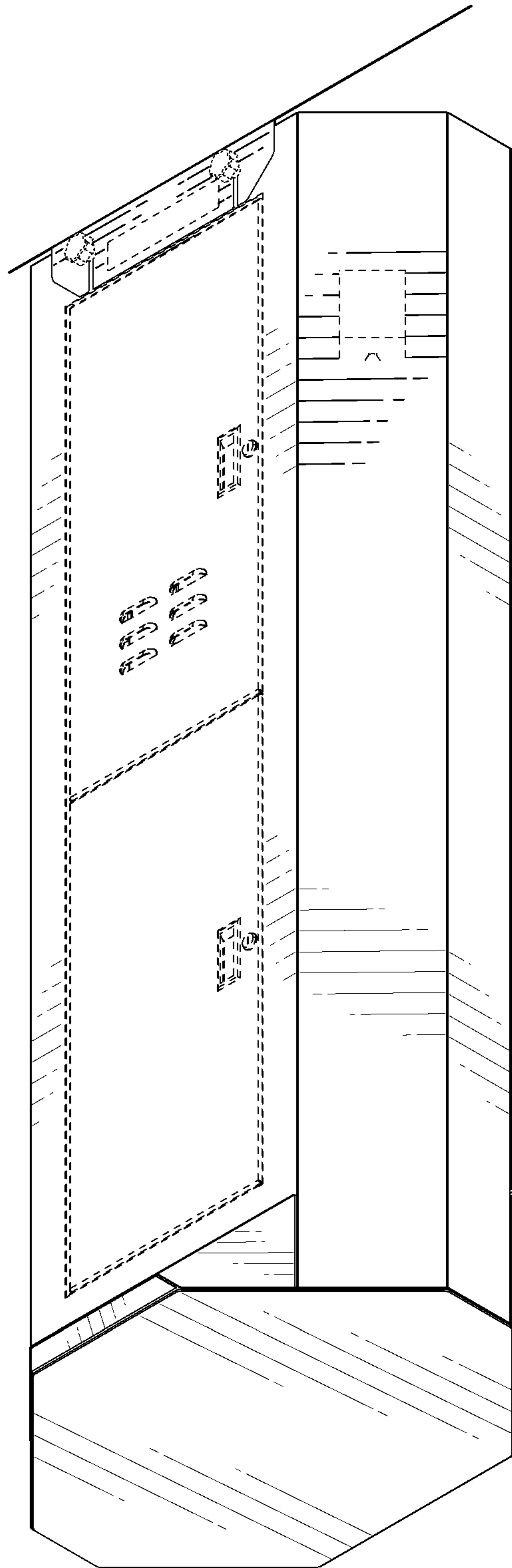


FIG. 4

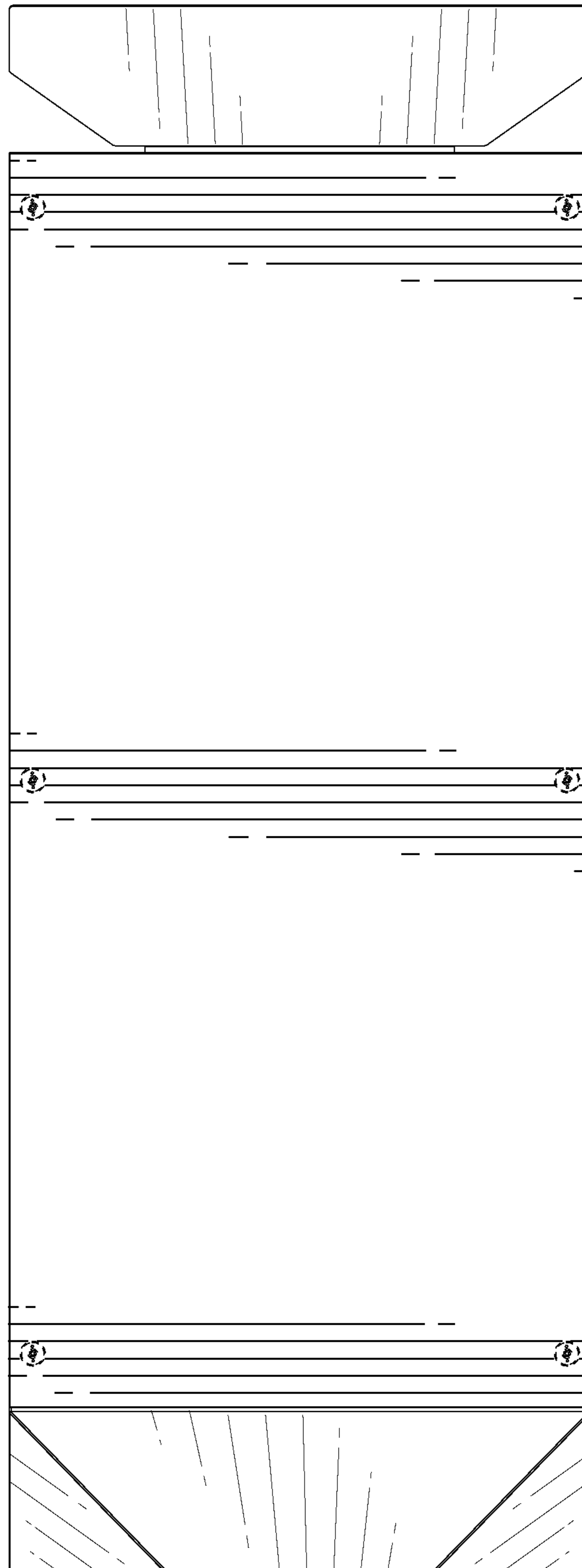


FIG. 5

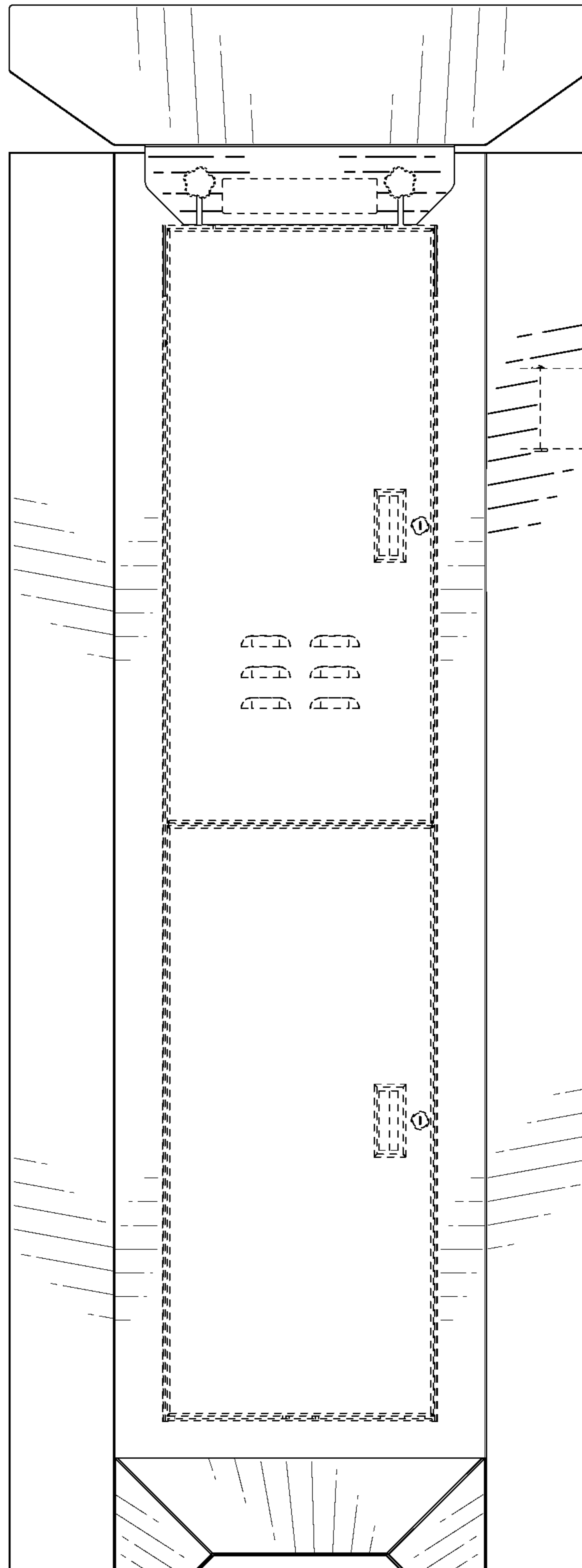


FIG. 6

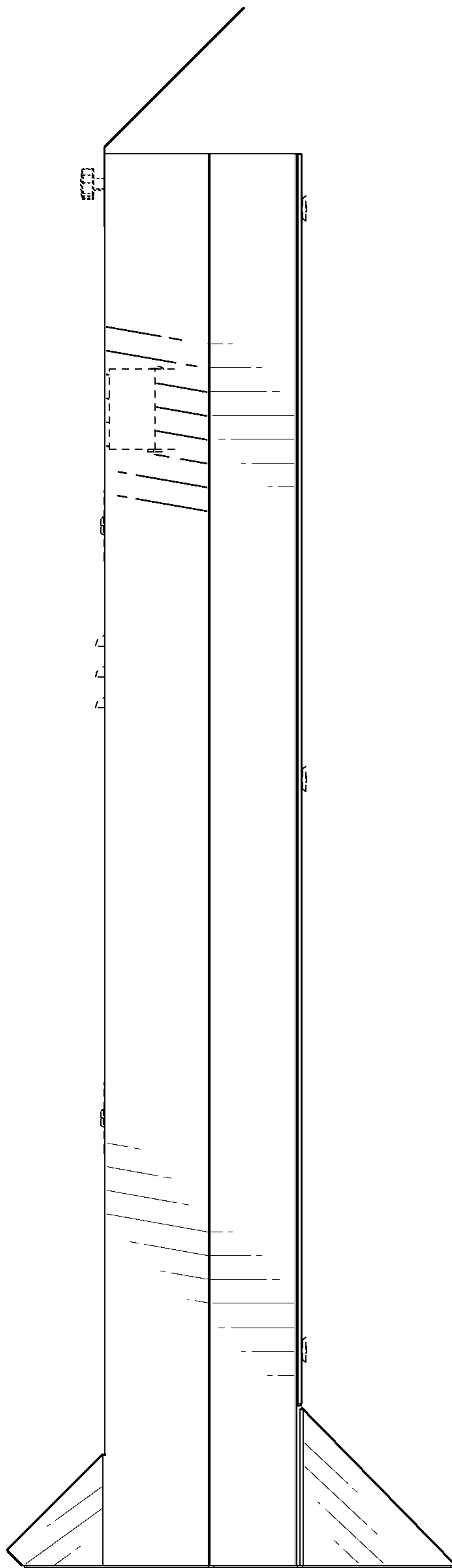


FIG. 7

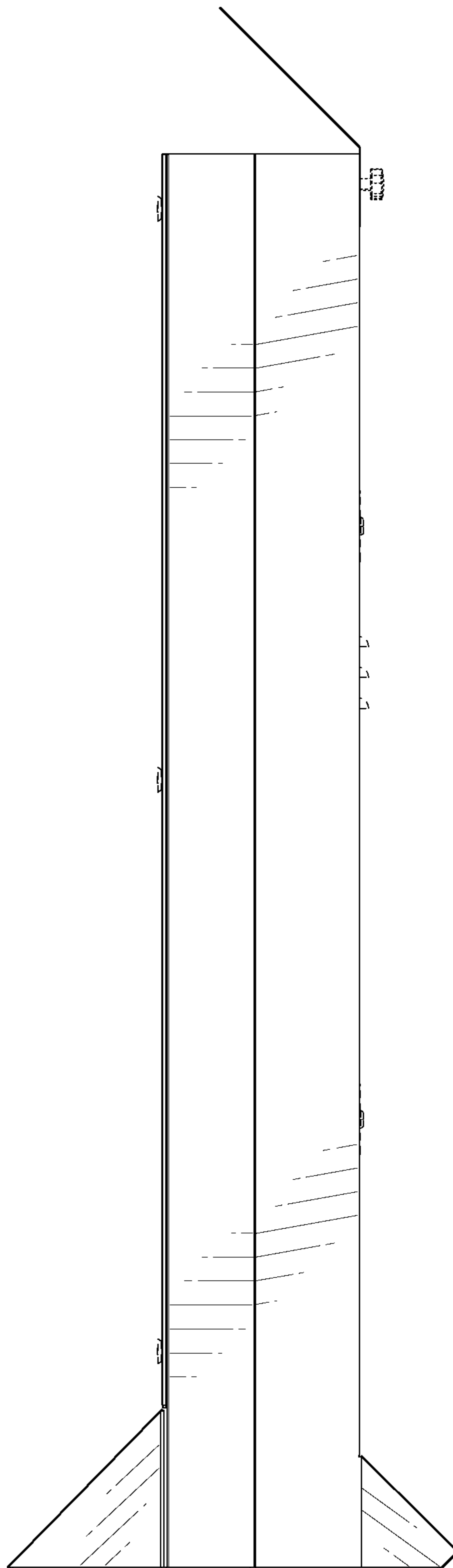


FIG. 8

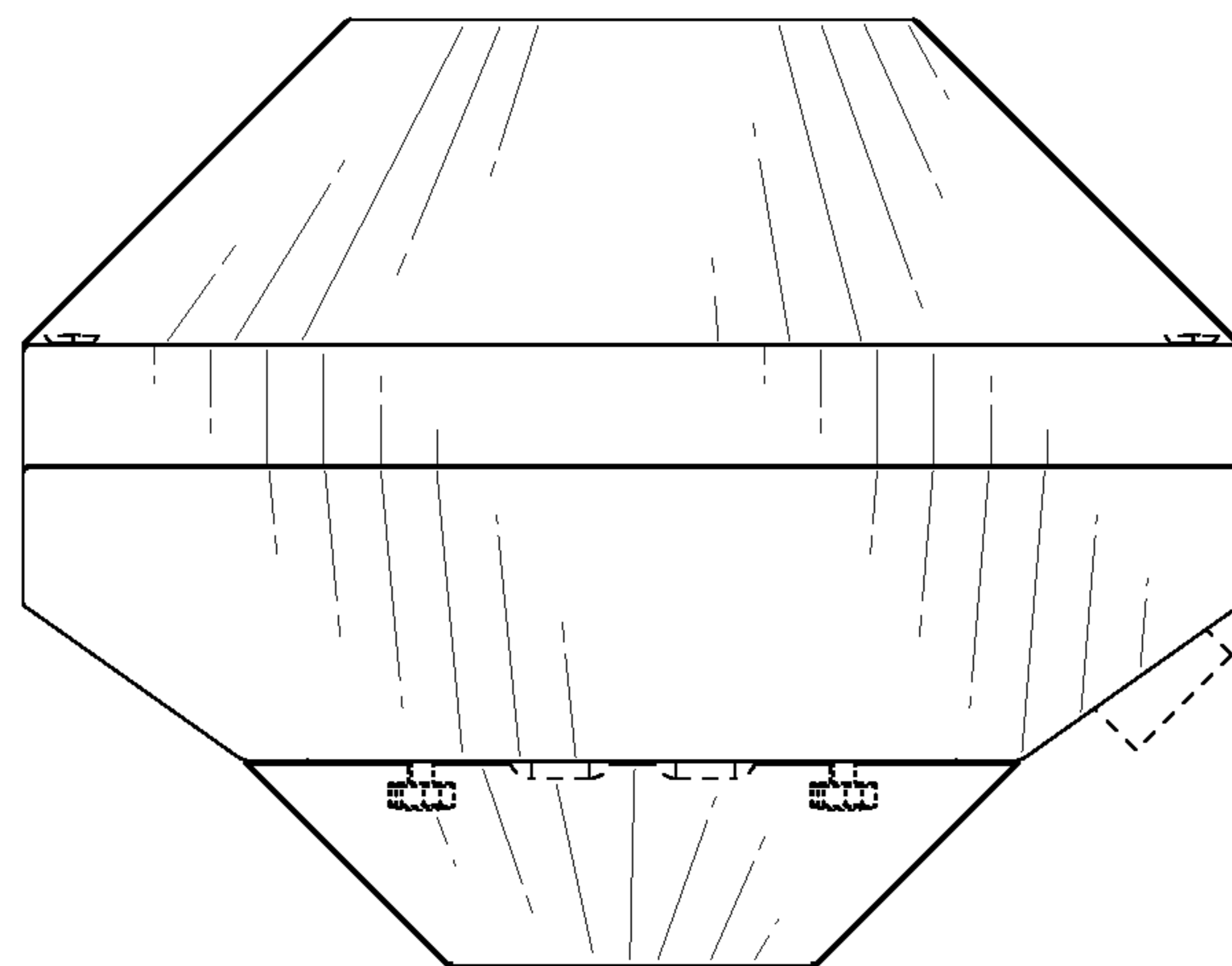


FIG. 9

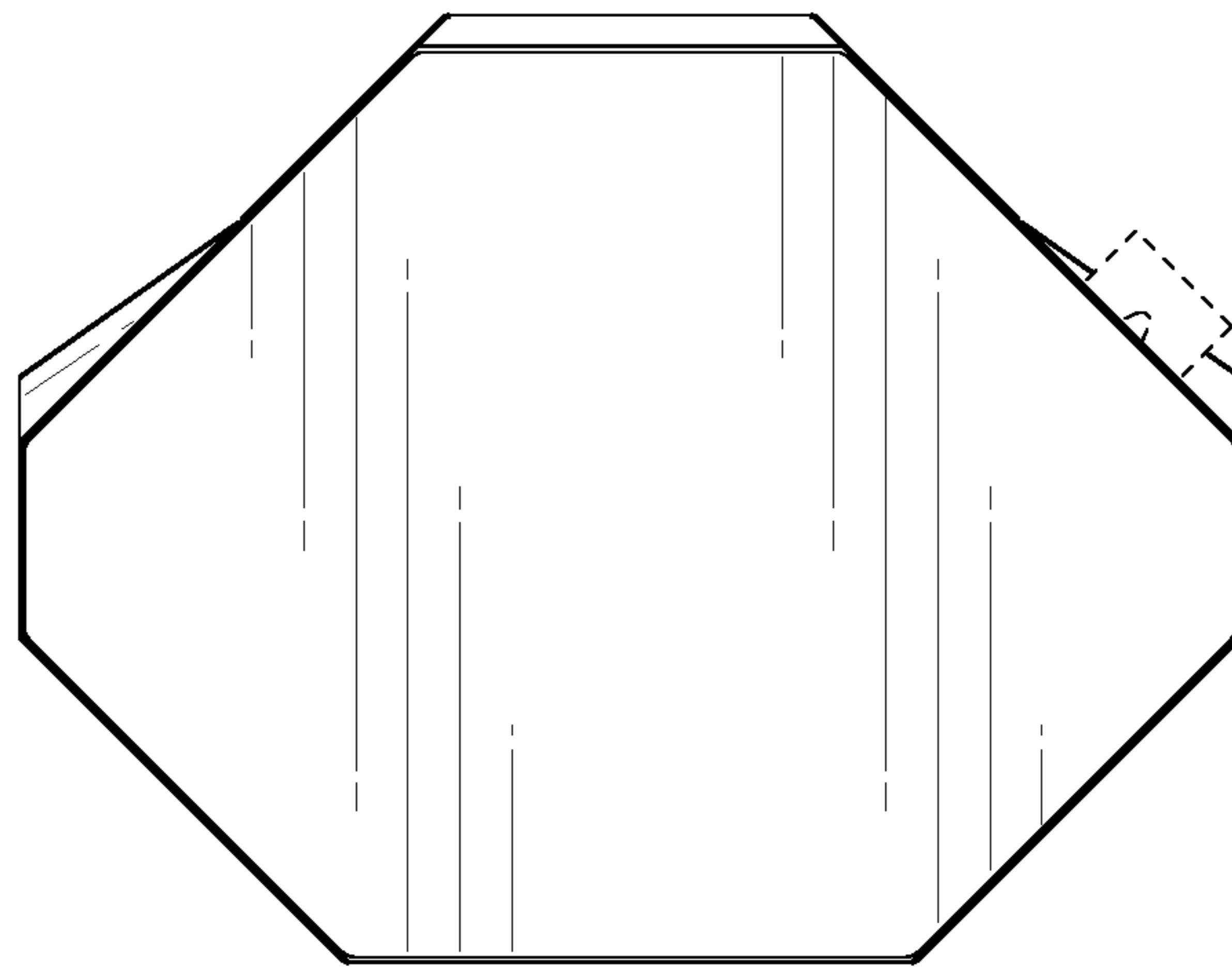


FIG. 10