



US00D908690S

(12) **United States Design Patent**
Zheng et al.

(10) **Patent No.:** **US D908,690 S**
(45) **Date of Patent:** **** Jan. 26, 2021**

- (54) **VERTICAL ADVERTISING MACHINE**
- (71) Applicant: **ADVANCED NEW TECHNOLOGIES CO., LTD.**, Grand Cayman (KY)
- (72) Inventors: **Kunkun Zheng**, Hangzhou (CN); **Le Zhou**, Hangzhou (CN)
- (73) Assignee: **ADVANCED NEW TECHNOLOGIES CO., LTD.**, Grand Cayman (KY)
- (**) Term: **15 Years**
- (21) Appl. No.: **29/695,267**
- (22) Filed: **Jun. 18, 2019**
- (30) **Foreign Application Priority Data**

Dec. 20, 2018 (CN) 2018 3 0743329

(51) **LOC (13) Cl.** **14-02**

(52) **U.S. Cl.**
USPC **D14/307**; D20/10

(58) **Field of Classification Search**
 USPC D11/40, 46, 48, 49, 51, 52, 61, 116, 133,
 D11/165, 166, 181, 182, 229; D14/307,
 D14/489, 495; D18/24, 27, 32, 33;
 D20/10, 11, 12, 15, 16, 17, 19, 20, 23,
 D20/37, 40, 41, 42, 99
 CPC ... G09F 7/00; G09F 7/002; G09F 7/02; G09F
 7/04; G09F 7/06; G09F 7/08; G09F 7/12;
 G09F 7/14; G09F 7/16; G09F 2007/1843;
 G09F 2007/1873; G09F 9/30; G09F
 13/00; G09F 13/16
 See application file for complete search history.

(56) **References Cited**

U.S. PATENT DOCUMENTS

- D355,676 S * 2/1995 Wilson D14/373
- D407,119 S * 3/1999 Kwan D20/21

- D555,044 S * 11/2007 Balscheit D12/101
- D586,402 S * 2/2009 Mangado Beloqui D20/39
- D646,269 S * 10/2011 Crick, Jr. D14/307
- D707,676 S * 6/2014 Azuma D14/385
- D707,677 S * 6/2014 Azuma D14/385
- 8,842,102 B2 * 9/2014 Forster G09F 7/04
345/204
- D717,785 S * 11/2014 Winston D14/307
- 9,711,069 B2 * 7/2017 Valentine G09F 7/18
- D860,319 S * 9/2019 Beruto D20/10
- D883,278 S * 5/2020 Yopez D14/307
- D896,806 S * 9/2020 Zheng D14/307
- 2010/0079979 A1 * 4/2010 Nakamichi H05K 7/20972
362/97.1
- 2010/0296234 A1 * 11/2010 Crick, Jr. G09F 27/00
361/679.21
- 2017/0116893 A1 * 4/2017 Valentine G09F 7/18

* cited by examiner

Primary Examiner — Michael C Stout

Assistant Examiner — Catherine Ho

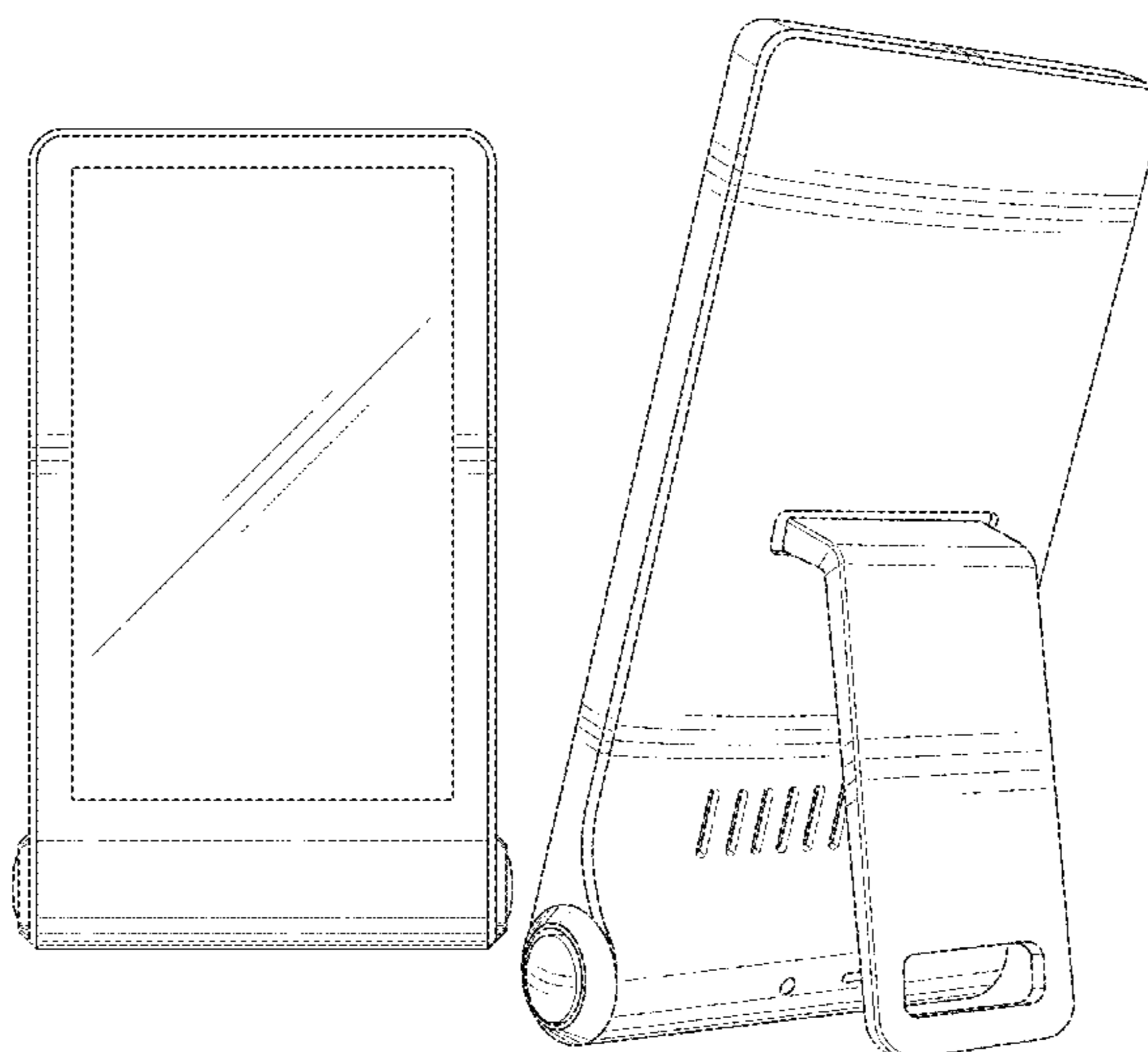
(57) **CLAIM**

The ornamental design for a vertical advertising machine, as shown and described.

DESCRIPTION

FIG. 1 is a front view of a vertical advertising machine, showing our new design;
 FIG. 2 is a rear view thereof;
 FIG. 3 is a left-side view thereof;
 FIG. 4 is a right-side view thereof;
 FIG. 5 is a top view thereof;
 FIG. 6 is a bottom view thereof; and,
 FIG. 7 is a rear-right perspective view thereof.
 The broken lines in FIGS. 1-7 illustrate portions of the Vertical Advertising Machine that are not part of the claimed design.

1 Claim, 7 Drawing Sheets



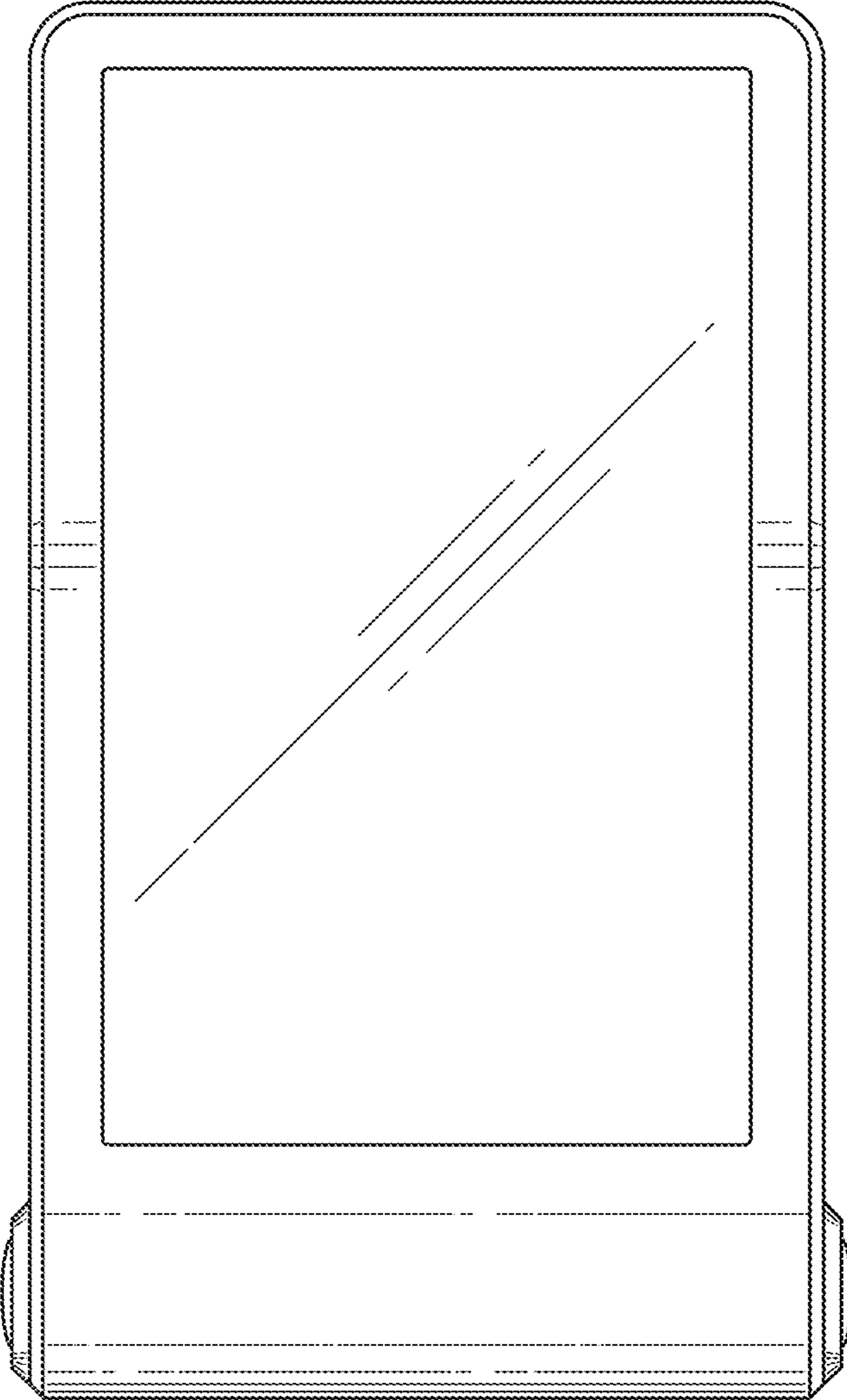


FIG. 1

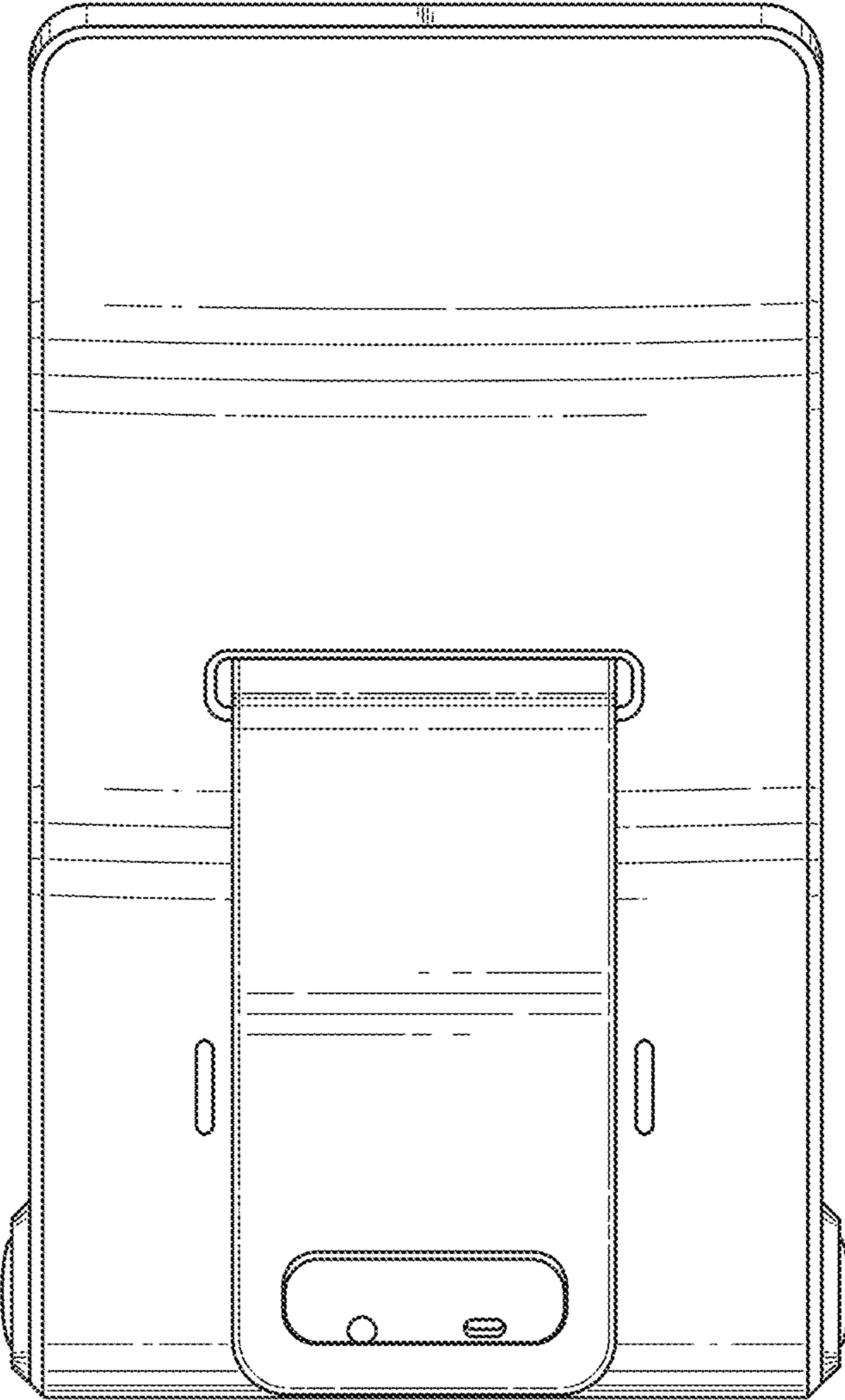


FIG. 2

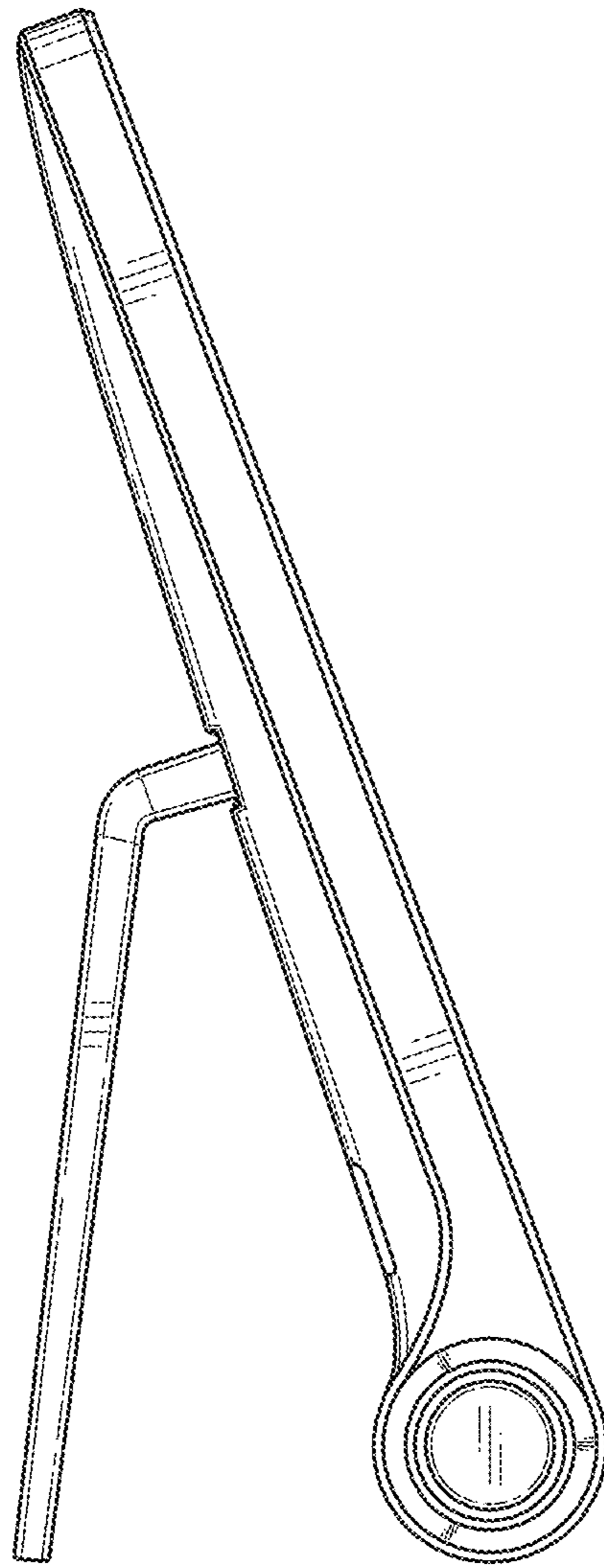


FIG. 3

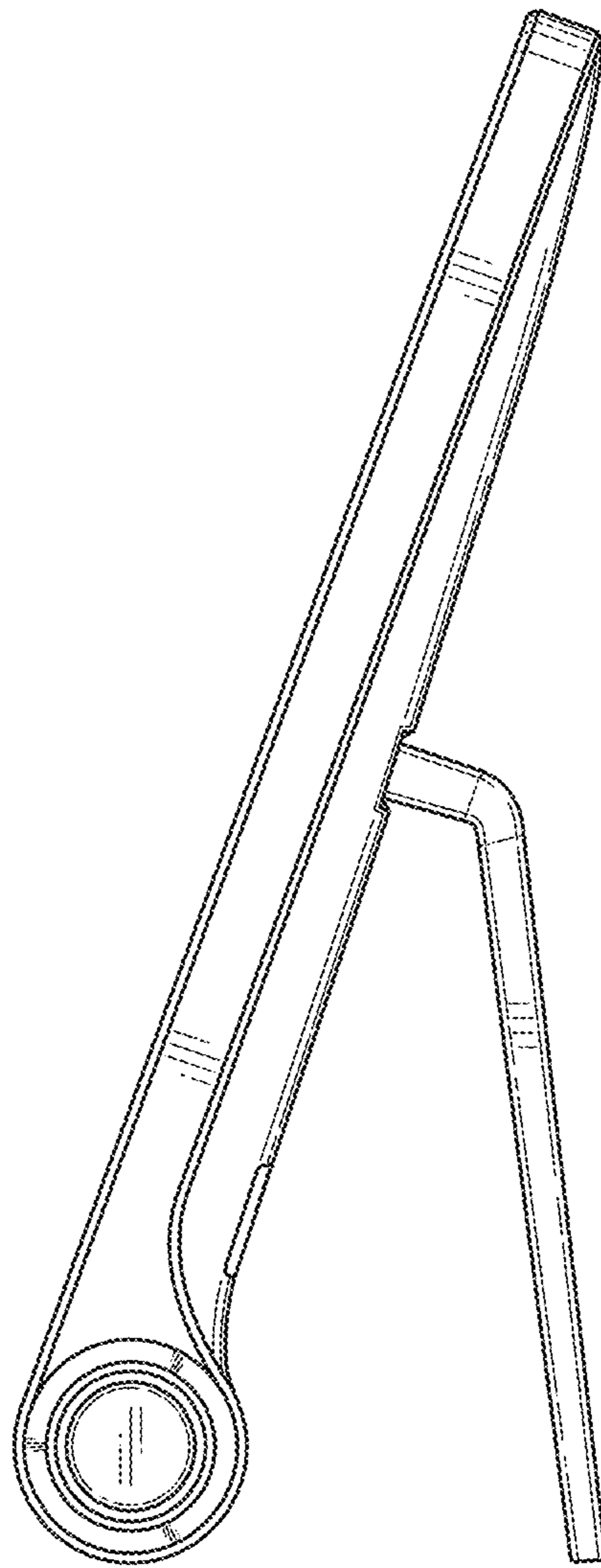


FIG. 4

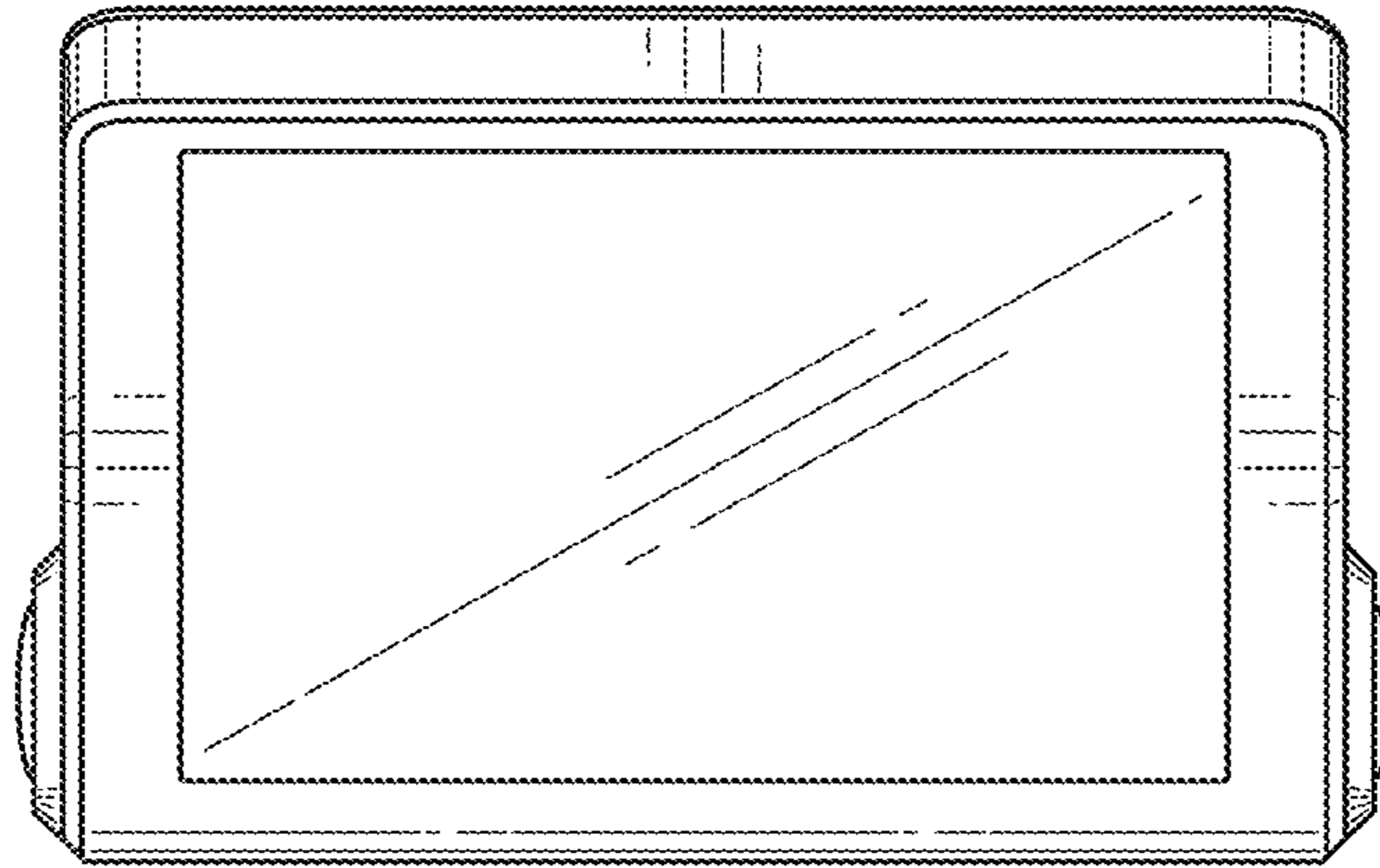


FIG. 5

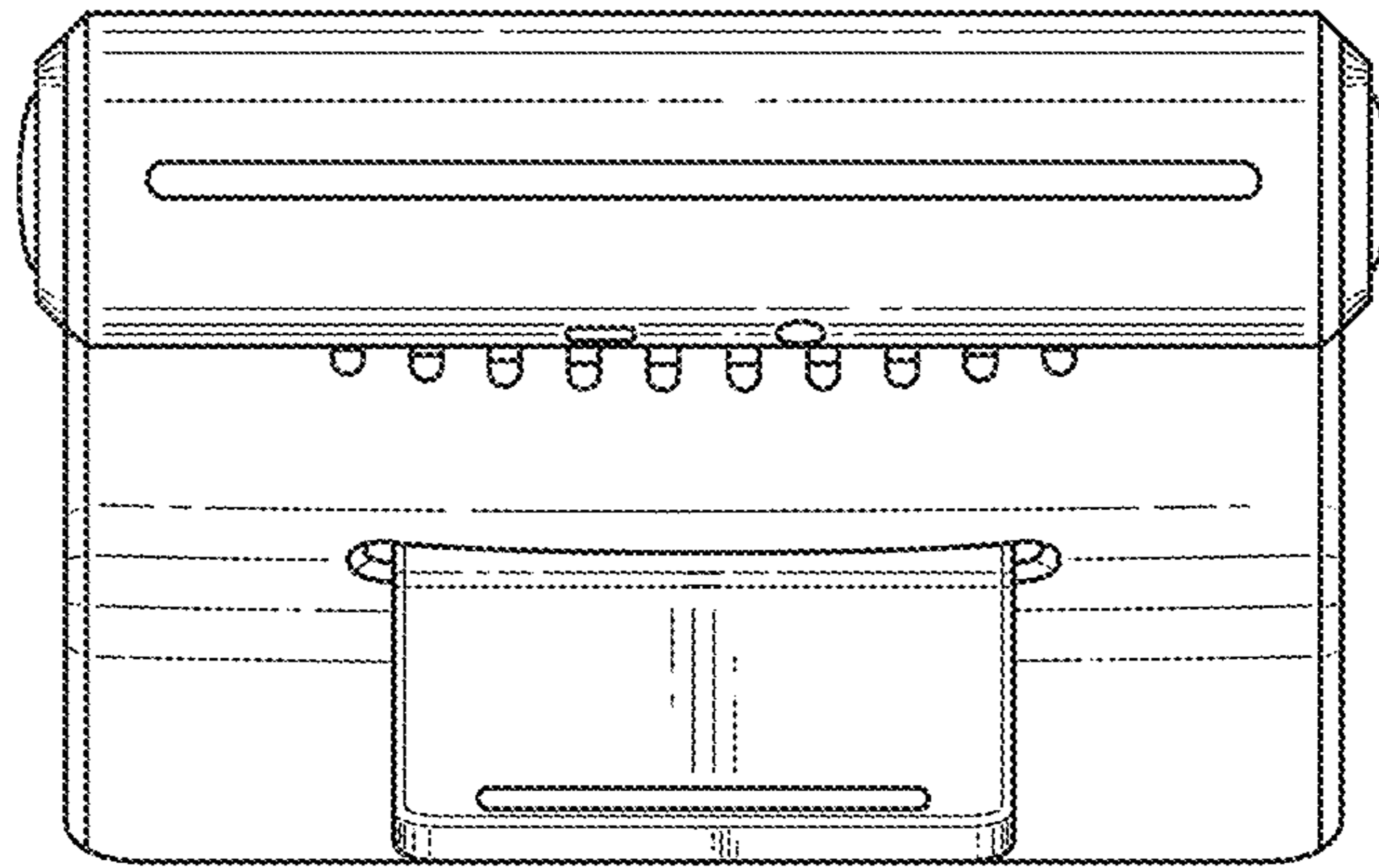


FIG. 6

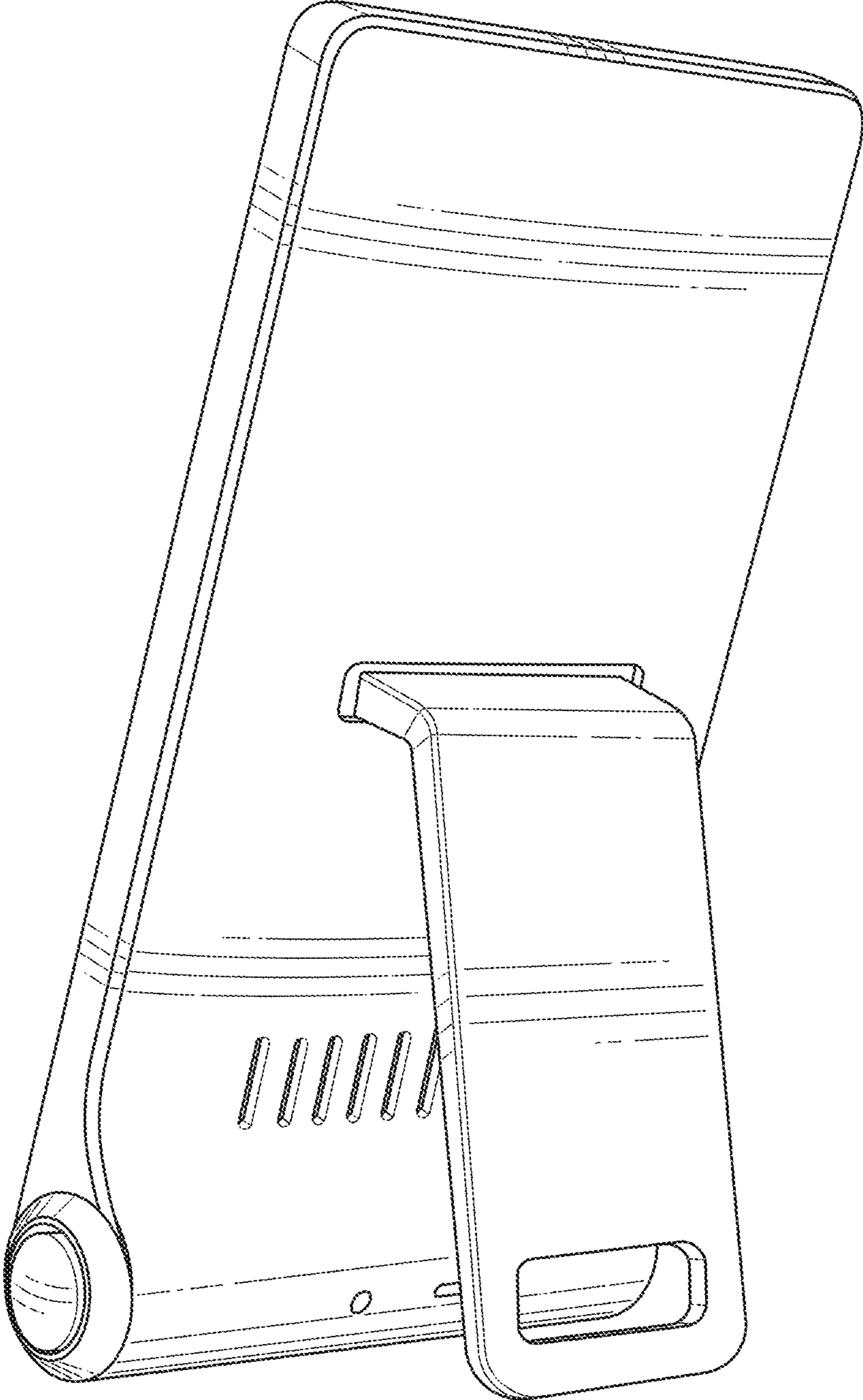


FIG. 7