



US00D908689S

(12) **United States Design Patent**
Chen et al.

(10) **Patent No.:** **US D908,689 S**
(45) **Date of Patent:** **** Jan. 26, 2021**

- (54) **MOBILE PHONE STAND**
- (71) Applicants: **SHENZHEN QIANHAI PATUOXUN NETWORK AND TECHNOLOGY CO., LTD**, Shenzhen (CN); **Zhenqiang Huang**, Shenzhen (CN)
- (72) Inventors: **Weitong Chen**, Shenzhen (CN); **Zhixuan Li**, Shenzhen (CN); **Zhenqiang Huang**, Shenzhen (CN)
- (73) Assignees: **SHENZHEN QIANHAI PATUOXUN NETWORK AND TECHNOLOGY CO., LTD**, Shenzhen (CN); **Zhenqiang Huang**, Shenzhen (CN)

D832,248 S *	10/2018	Sukphist	D14/253
D859,393 S *	9/2019	Dang	D14/253
D863,205 S	10/2019	Lin	
D864,185 S	10/2019	Chen	
D864,186 S *	10/2019	Du	D14/253
D875,090 S *	2/2020	Leeds-Frank	D14/253
D877,066 S *	3/2020	Zhang	D13/108
D877,688 S *	3/2020	Liu	D12/415
D881,200 S *	4/2020	Leeds-Frank	D14/447
D887,417 S *	6/2020	Yarbough	D14/447
D889,454 S *	7/2020	Liu	D14/253
D892,040 S *	8/2020	Wu	D13/108
D892,787 S *	8/2020	Chen	D14/253
D893,471 S	8/2020	Liao	
D894,829 S *	9/2020	Zhang	D13/108
D895,601 S *	9/2020	Liao	D14/253
D896,177 S *	9/2020	Zheng	D13/108
D896,215 S *	9/2020	Li	D14/253
D897,333 S *	9/2020	Liao	D14/253

(Continued)

(**) Term: **15 Years**

(21) Appl. No.: **29/754,976**

(22) Filed: **Oct. 16, 2020**

(30) **Foreign Application Priority Data**

Jun. 23, 2020 (CN) 2020 3 0327931

(51) **LOC (13) Cl.** **14-03**

(52) **U.S. Cl.**
USPC **D14/253**

(58) **Field of Classification Search**
USPC D14/251-253, 447, 440; D12/415;
D3/218
CPC .. A47B 2023/049; B60R 11/02; F16M 11/00;
F16M 11/04; F16M 11/06; A45C
2001/002; A45F 2200/0516
See application file for complete search history.

(56) **References Cited**

U.S. PATENT DOCUMENTS

D685,379 S * 7/2013 Richter D14/447
D784,923 S * 4/2017 Song D13/108

Primary Examiner — Janice Hallmark

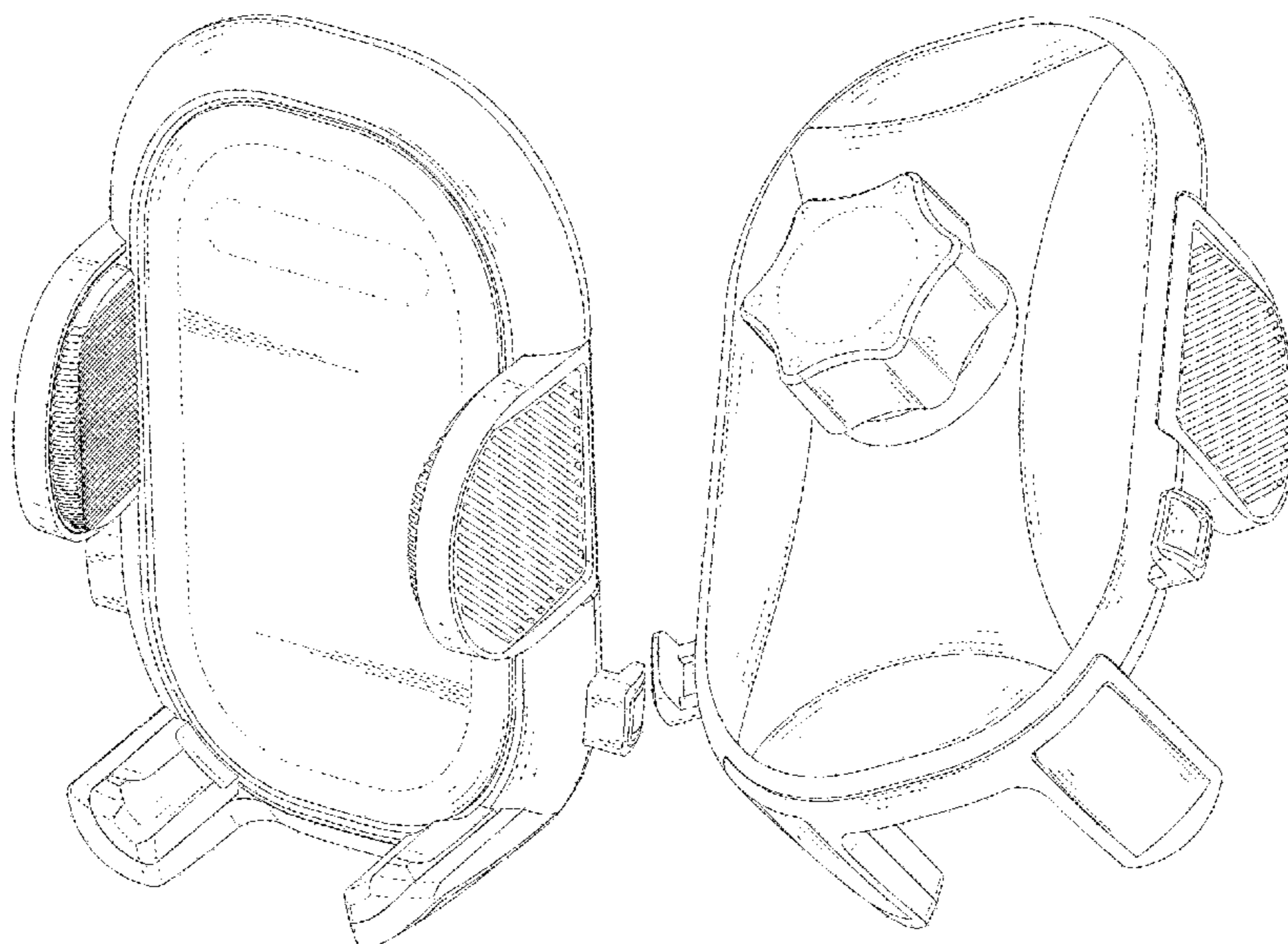
(57) **CLAIM**

The ornamental design for a mobile phone stand, as shown and described.

DESCRIPTION

FIG. 1 is a perspective view of a mobile phone stand showing our new design;
FIG. 2 is another perspective view thereof;
FIG. 3 is a front elevational view thereof;
FIG. 4 is a rear elevational view thereof;
FIG. 5 is a left side elevational view thereof;
FIG. 6 is a right side elevational view thereof;
FIG. 7 is a top plan view thereof;
FIG. 8 is a bottom plan view thereof; and,
FIG. 9 is a perspective view of the mobile phone stand where the mobile phone stand is in a configuration of use.
The broken lines in the drawings depict portions of the mobile phone stand that form no part of the claimed design.

1 Claim, 9 Drawing Sheets



(56)

References Cited

U.S. PATENT DOCUMENTS

D900,087 S * 10/2020 Leeds-Frank D14/253
2007/0284500 A1 * 12/2007 Fan H04M 1/04
248/346.06

* cited by examiner

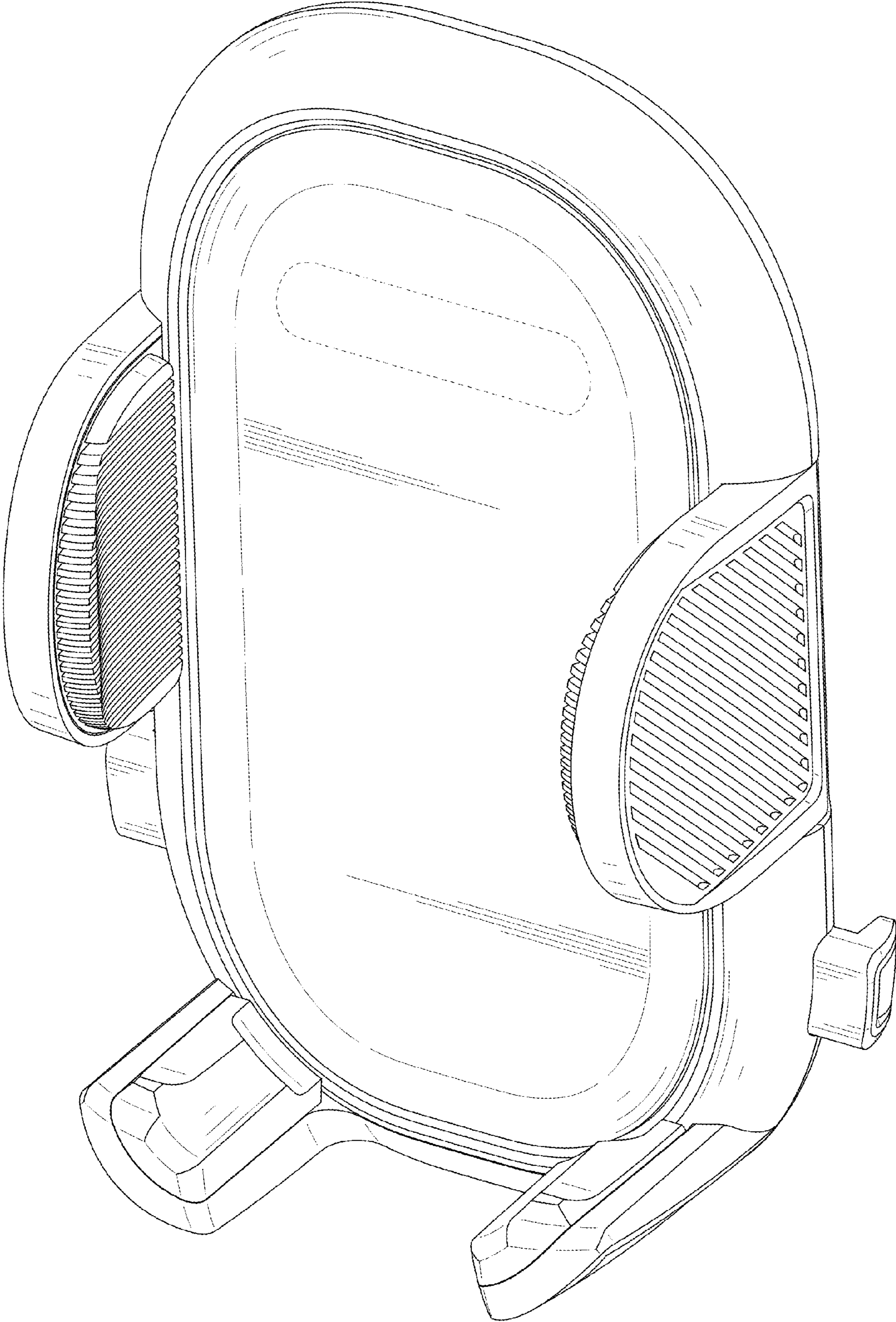


FIG. 1

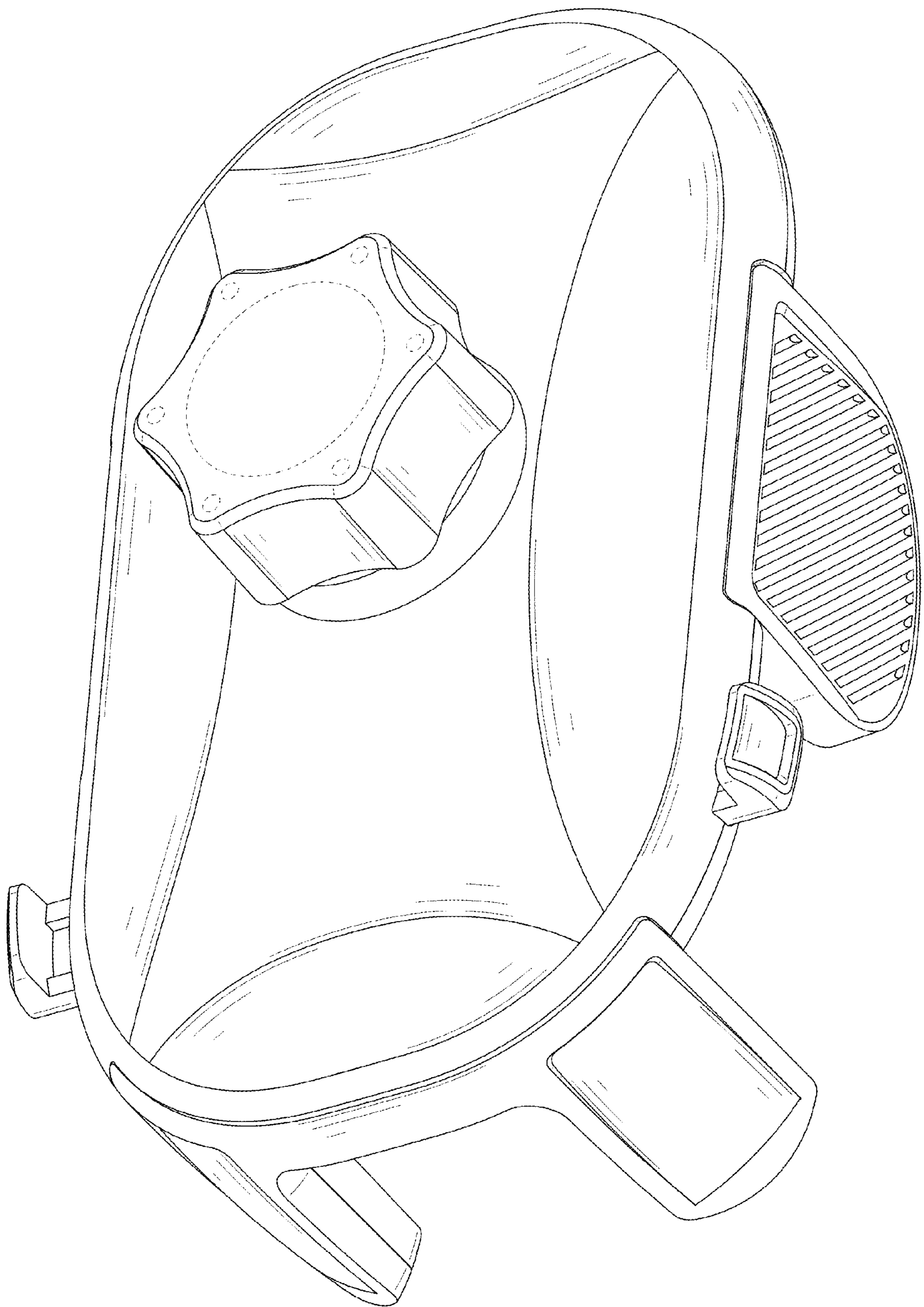


FIG. 2

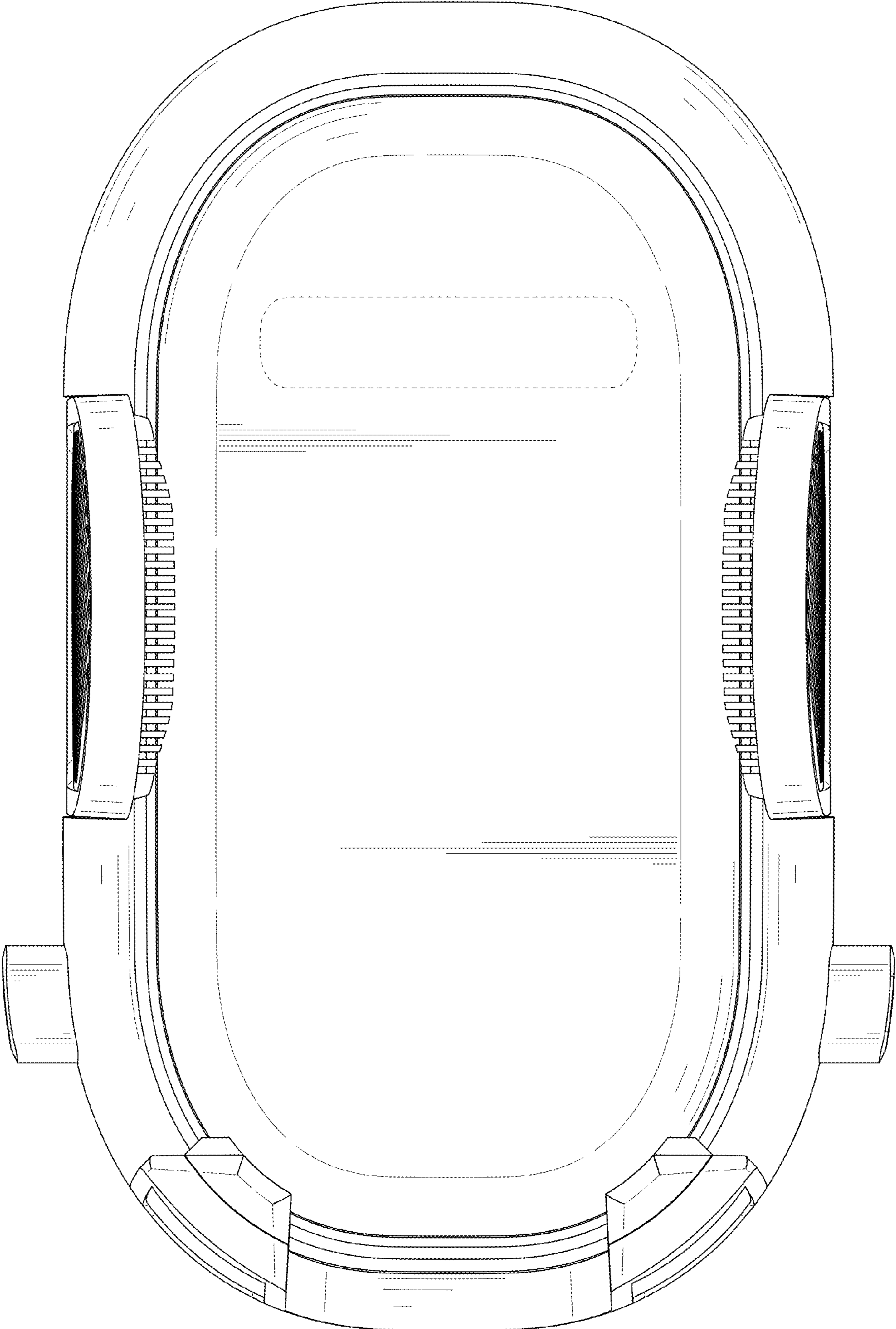


FIG. 3

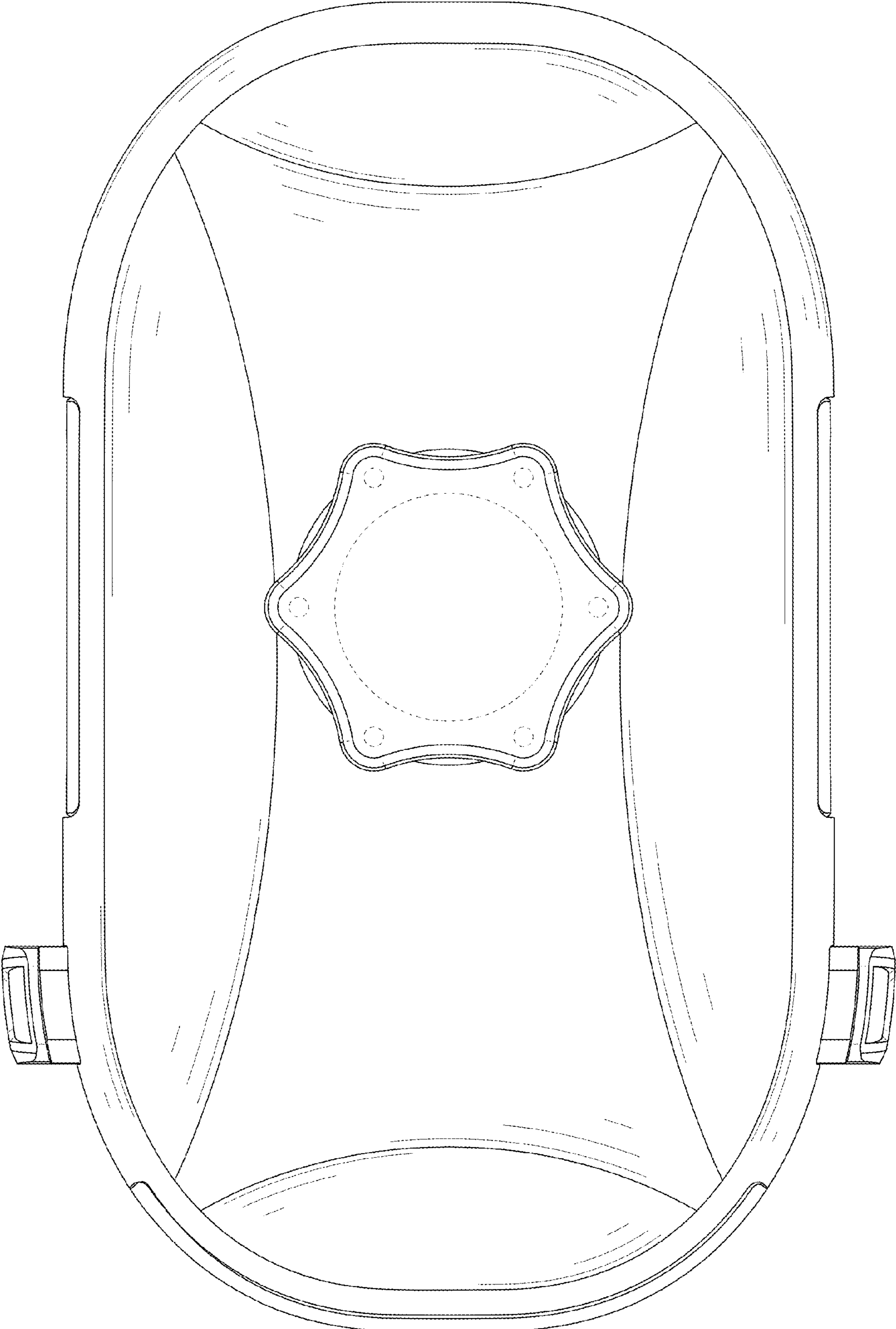


FIG. 4

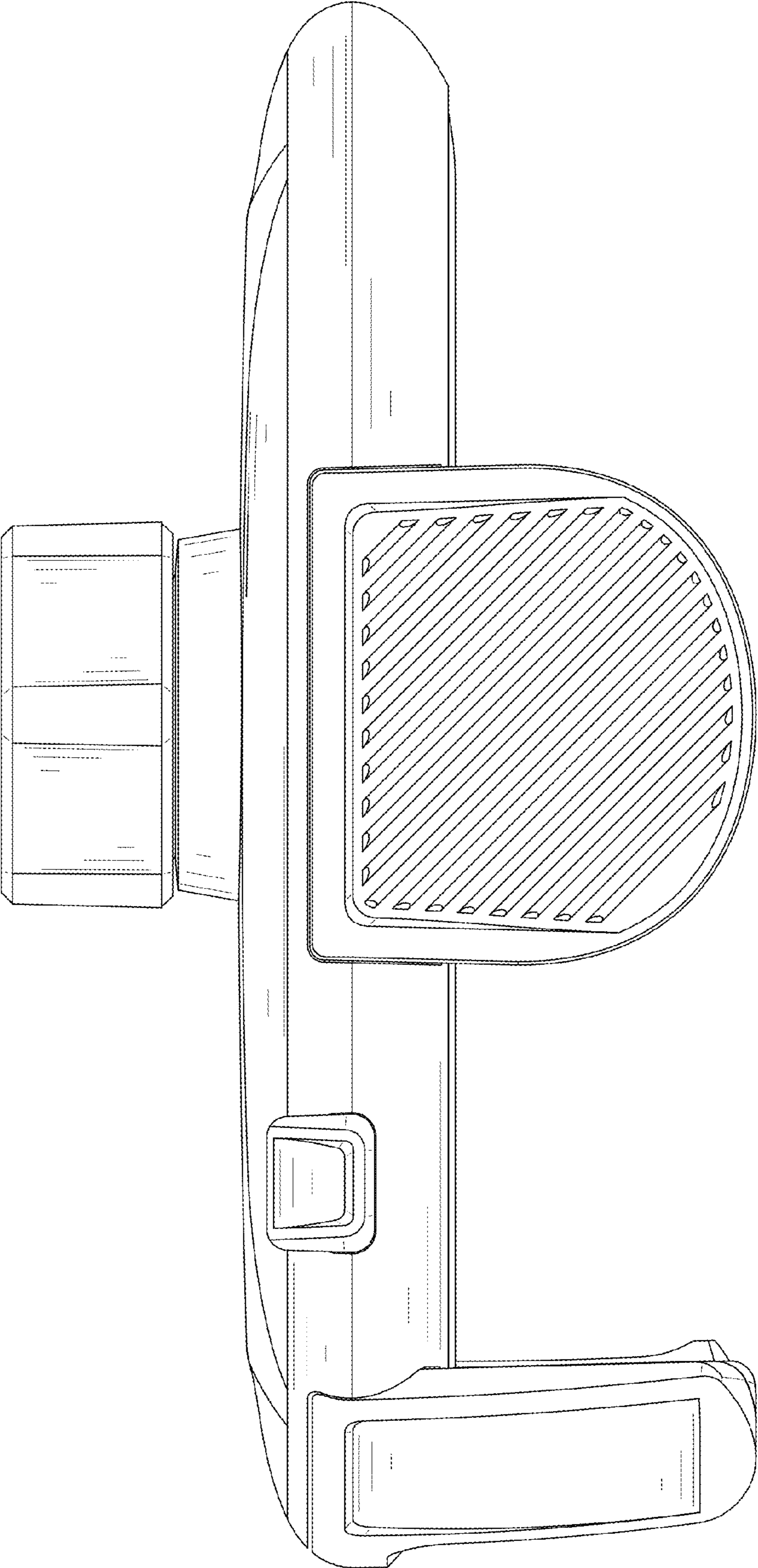


FIG. 5

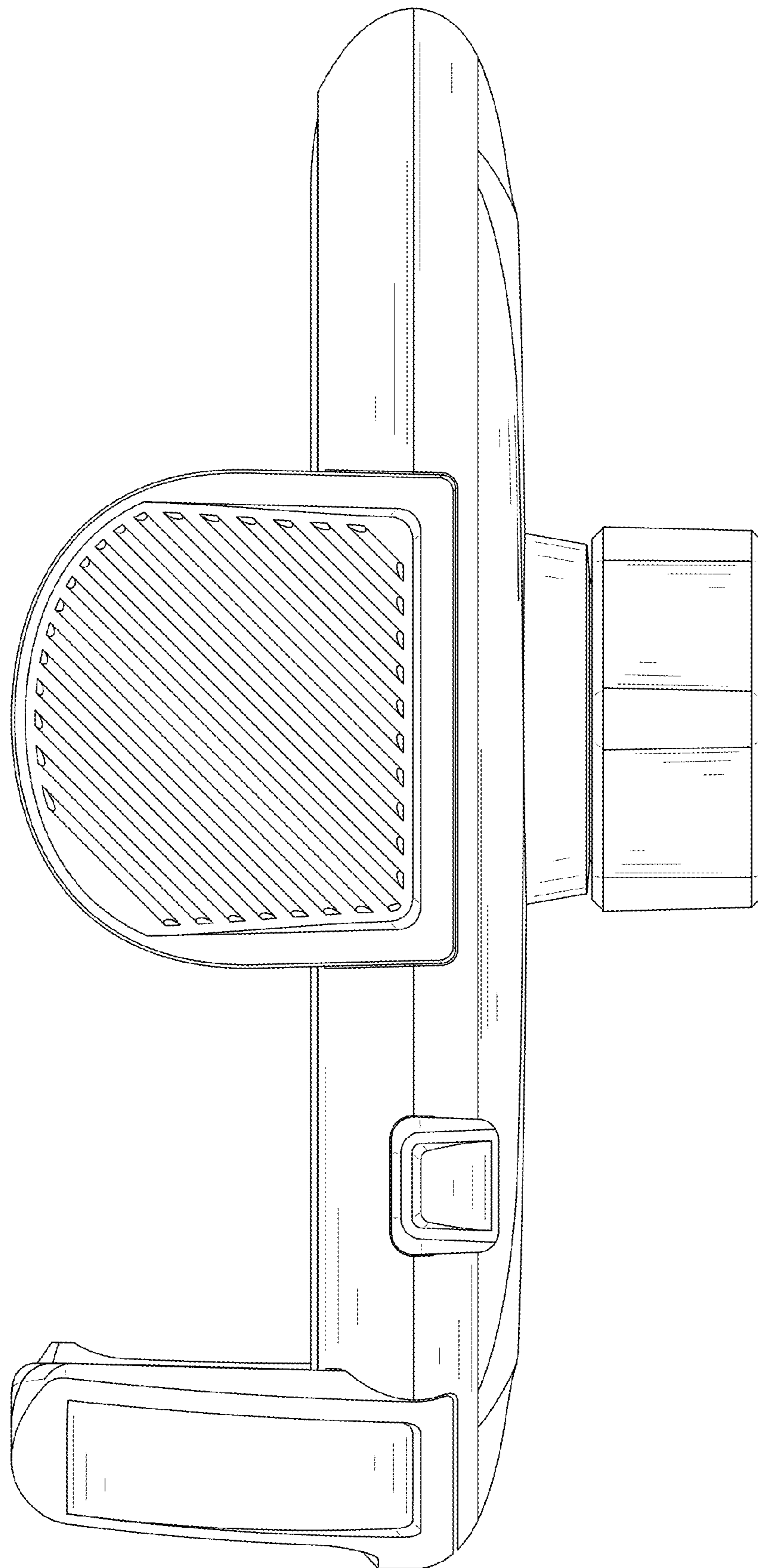


FIG. 6

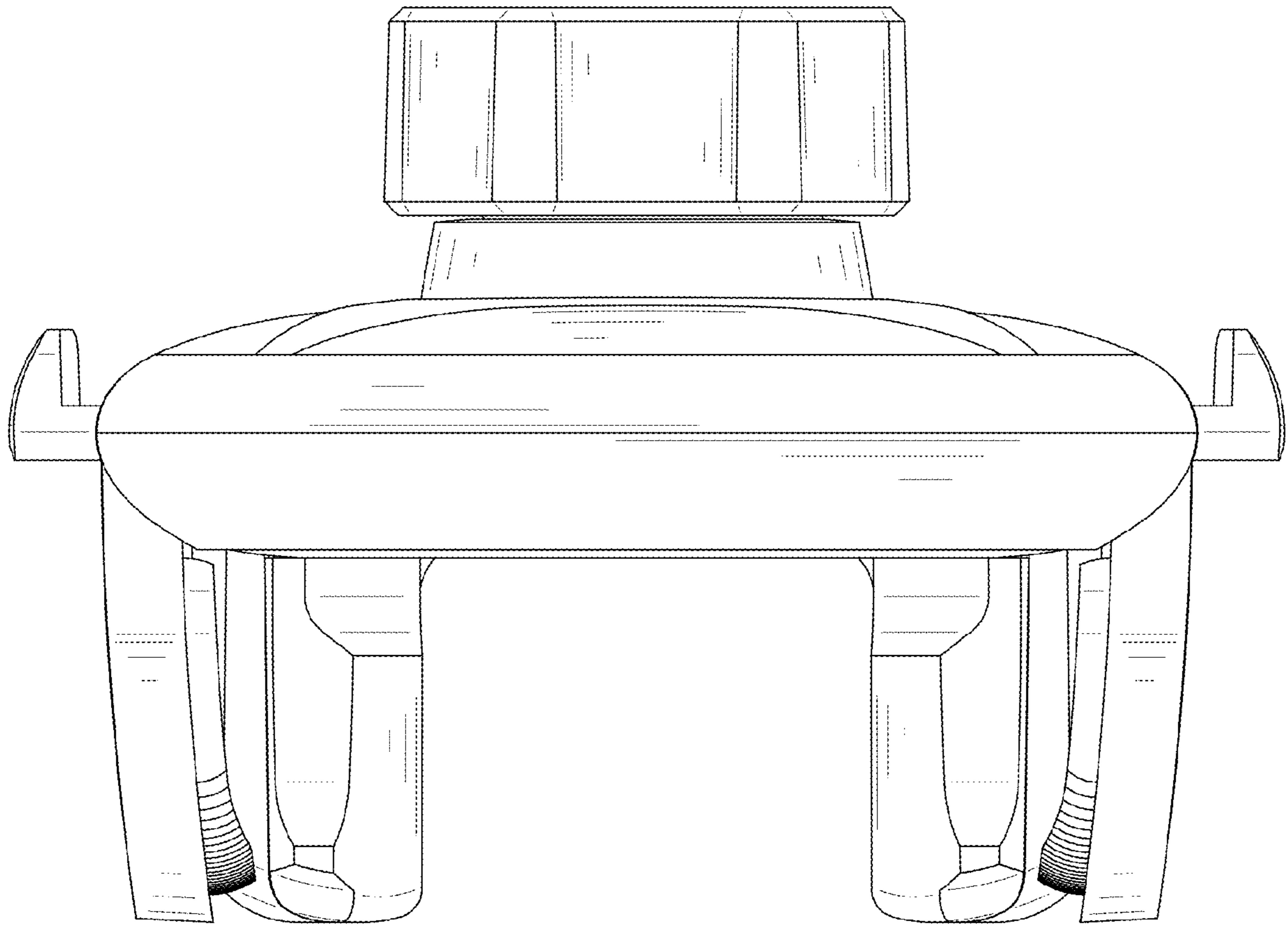


FIG. 7

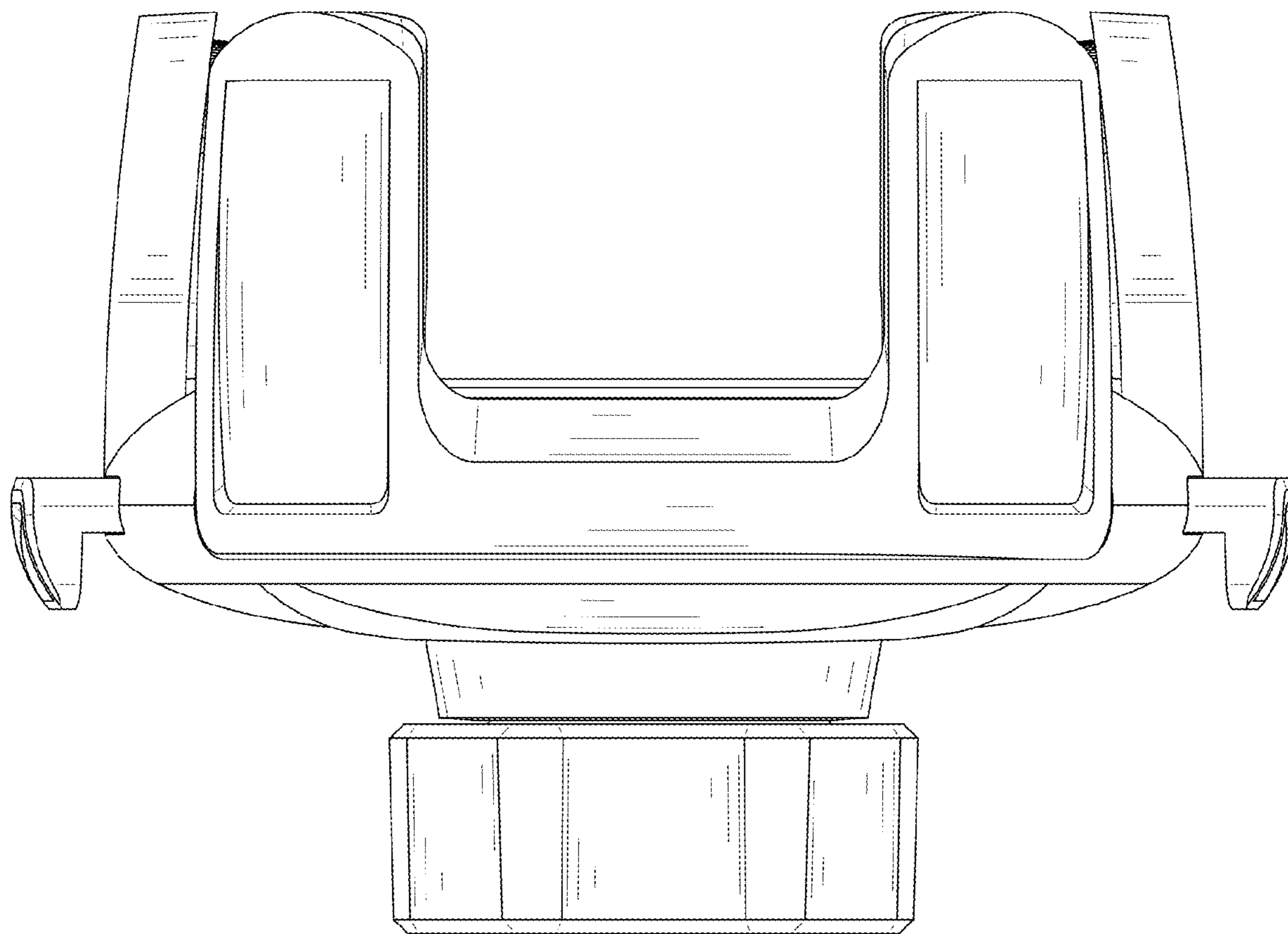


FIG. 8

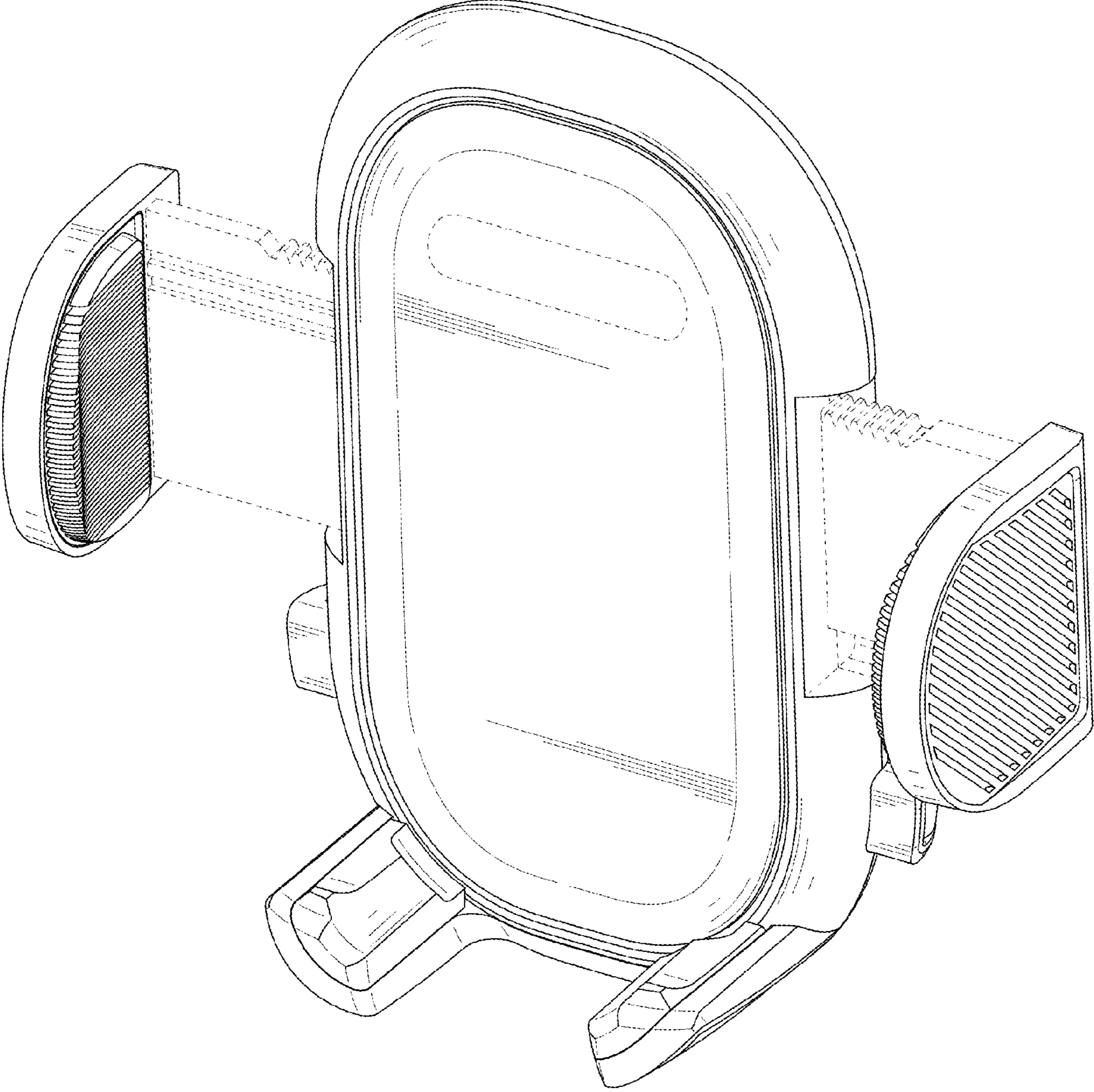


FIG. 9