



US00D908687S

(12) **United States Design Patent**
Lebovitz

(10) **Patent No.:** **US D908,687 S**
(45) **Date of Patent:** **** Jan. 26, 2021**

- (54) **MOBILE PHONE MOUNT**
- (71) Applicant: **Jon Bargains, Inc.**, Monroe, NY (US)
- (72) Inventor: **Yona Lebovitz**, Monroe, NY (US)
- (73) Assignee: **Jon Bargains, Inc.**
- (**) Term: **15 Years**
- (21) Appl. No.: **29/666,025**
- (22) Filed: **Oct. 9, 2018**

D718,236 S *	11/2014	Murray	D13/108
D719,959 S *	12/2014	Vogel	D14/447
D748,639 S *	2/2016	Khodapanah	D14/447
D769,234 S *	10/2016	Rami	D14/253
D782,489 S *	3/2017	Kim	D14/447
D784,978 S *	4/2017	Hobbs	D14/253
D786,955 S *	5/2017	Taylor	D16/245
D790,435 S *	6/2017	Du	D12/415
D790,960 S *	7/2017	McSweyn	D8/382
D797,749 S *	9/2017	Awad	D14/447
D816,076 S *	4/2018	Ahn	D14/253
D820,247 S *	6/2018	Ahn	D14/253
D820,248 S *	6/2018	Ahn	D14/253
D820,823 S *	6/2018	Ahn	D14/253

(Continued)

Related U.S. Application Data

- (63) Continuation of application No. 15/582,352, filed on Apr. 28, 2017, now Pat. No. 10,563,683, which is a continuation-in-part of application No. 29/595,125, filed on Feb. 24, 2017, now Pat. No. Des. 825,549, which is a continuation-in-part of application No. 29/594,954, filed on Feb. 23, 2017, now Pat. No. Des. 825,548, which is a continuation-in-part of application No. 29/591,287, filed on Jan. 18, 2017, now Pat. No. Des. 823,847.

- (51) **LOC (13) Cl.** **14-03**
- (52) **U.S. Cl.**
USPC **D14/253**
- (58) **Field of Classification Search**
USPC D14/251, 240, 217, 447, 253, 440, 496,
D14/250, 204; 224/558, 577; 248/205.3
CPC H04B 1/3888; H04M 1/0283; H04M 1/04;
A45C 1/06; H05K 5/0204; F16M 13/00;
G06F 1/1632; A45F 5/10; F16B 11/006
See application file for complete search history.

(56) **References Cited**

U.S. PATENT DOCUMENTS

- 5,992,807 A * 11/1999 Tarulli B60R 11/0241
248/205.3
- 8,689,409 B2 * 4/2014 Hanley E04F 13/0885
24/457

OTHER PUBLICATIONS

“WizGear Magnetic Air Vent Mount.” YouTube, published on Jul. 22, 2015, https://www.youtube.com/watch?v=4I_QOyPmEQ0&t=11s.

Photographs of mobile mount device.

Primary Examiner — Cynthia R Underwood

(74) *Attorney, Agent, or Firm* — Amster Rothstein & Ebenstein LLP

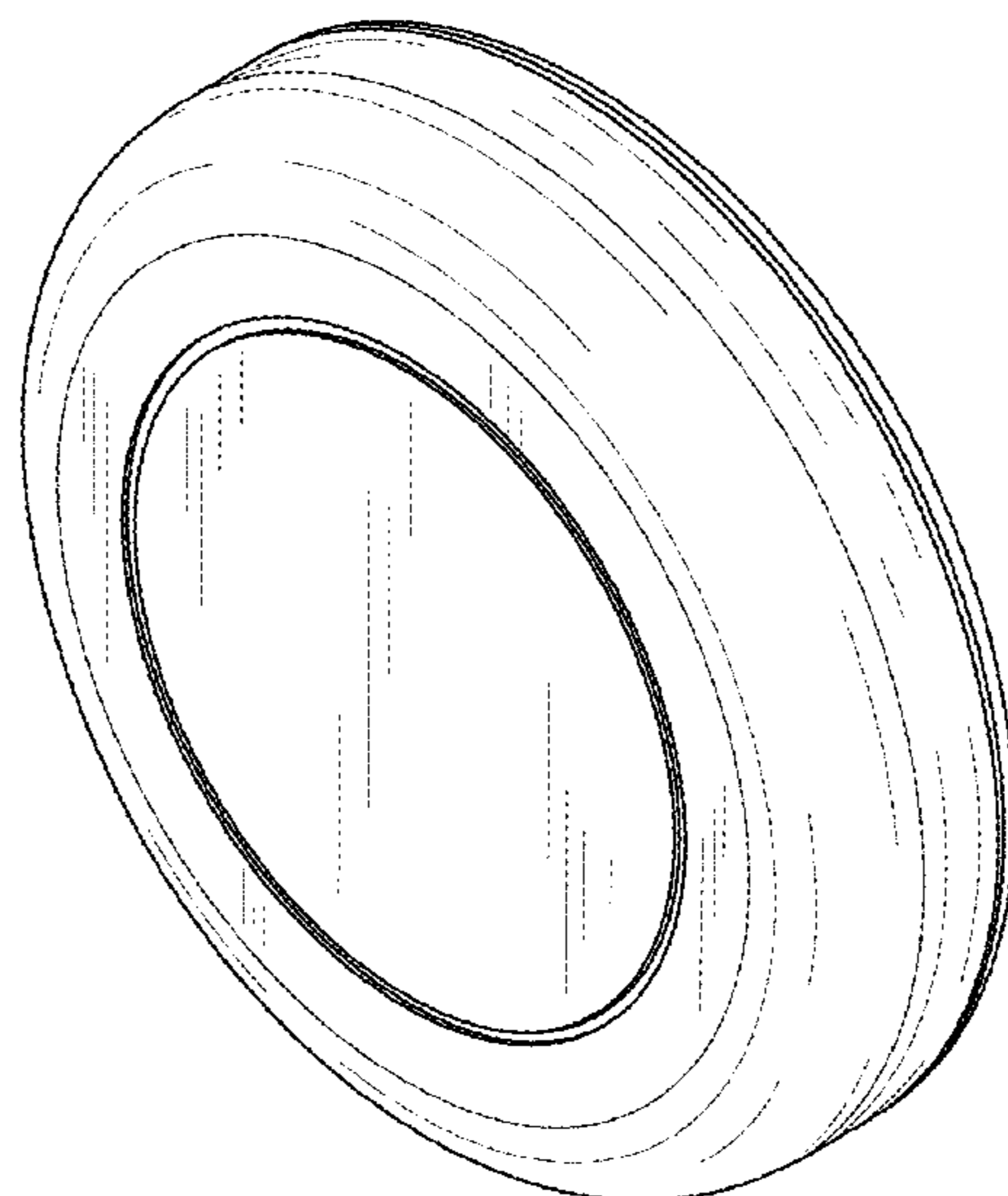
(57) **CLAIM**

The ornamental design for a mobile phone mount, as shown and described.

DESCRIPTION

FIG. 1 is a side perspective view of a mobile device magnetic car mount;
 FIG. 2 is a front perspective view thereof;
 FIG. 3 is a rear perspective view thereof;
 FIG. 4 is a front view thereof;
 FIG. 5 is a rear view thereof;
 FIG. 6 is a left side view thereof;
 FIG. 7 is a right side view thereof;
 FIG. 8 is a top view thereof; and,
 FIG. 9 is a bottom view thereof.

1 Claim, 9 Drawing Sheets



(56)

References Cited

U.S. PATENT DOCUMENTS

D825,548 S * 8/2018 Lebovitz D14/253
D877,742 S * 3/2020 Yao D14/447
D894,873 S * 9/2020 Gill D14/217
2016/0318455 A1* 11/2016 Zhang F16M 11/2007
2016/0373152 A1* 12/2016 Schmidt B60R 11/02

* cited by examiner

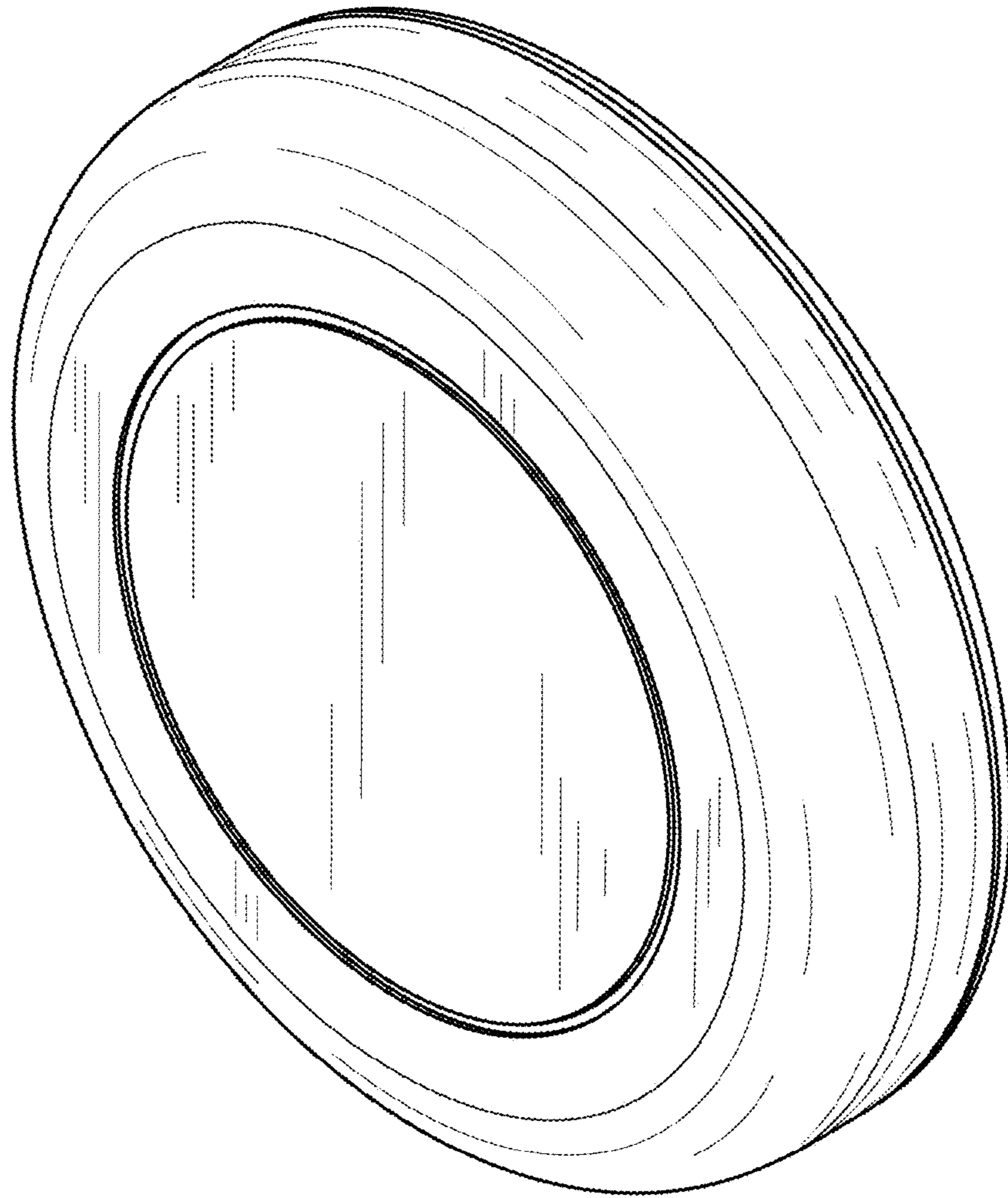


FIG. 1

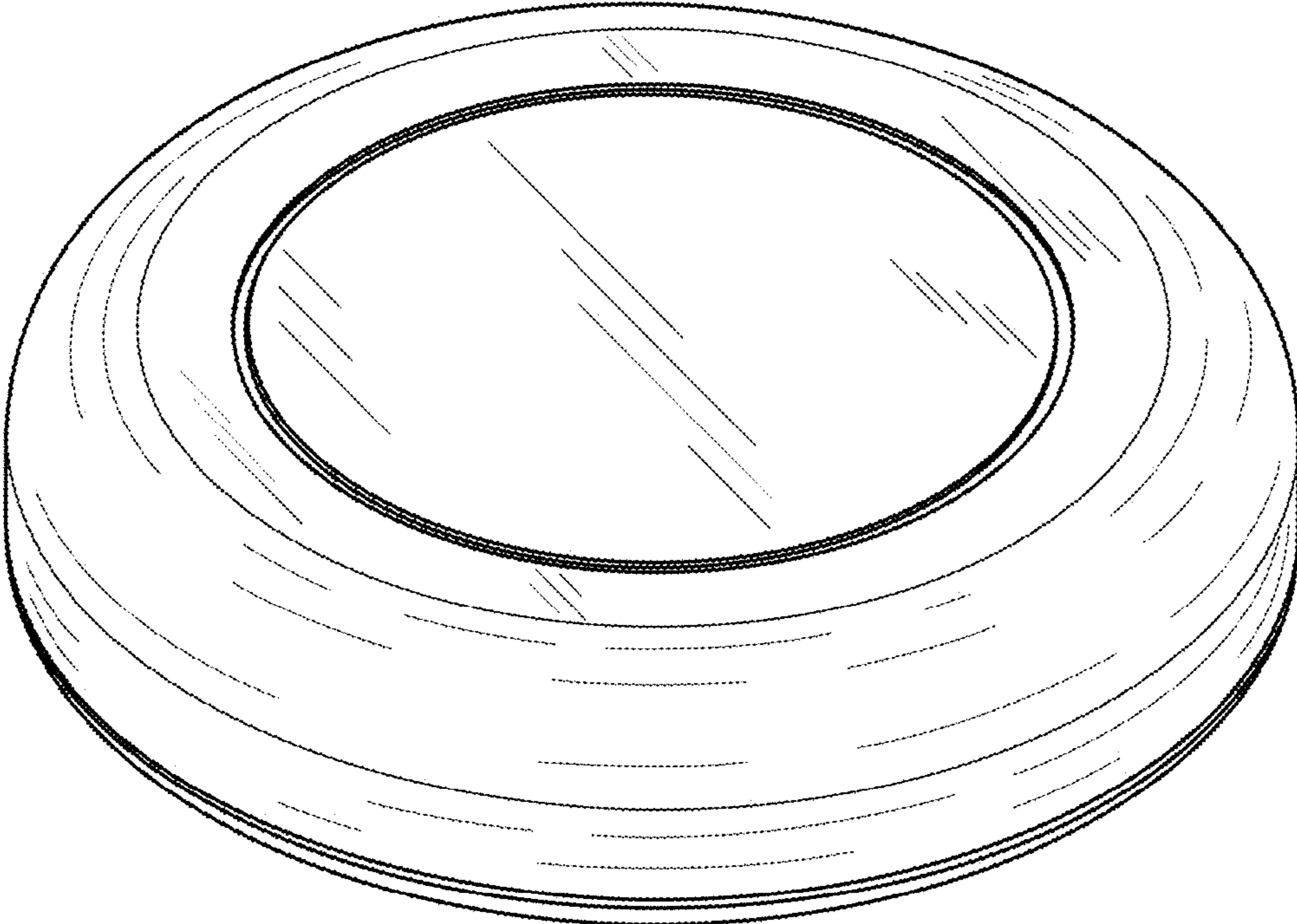


FIG. 2

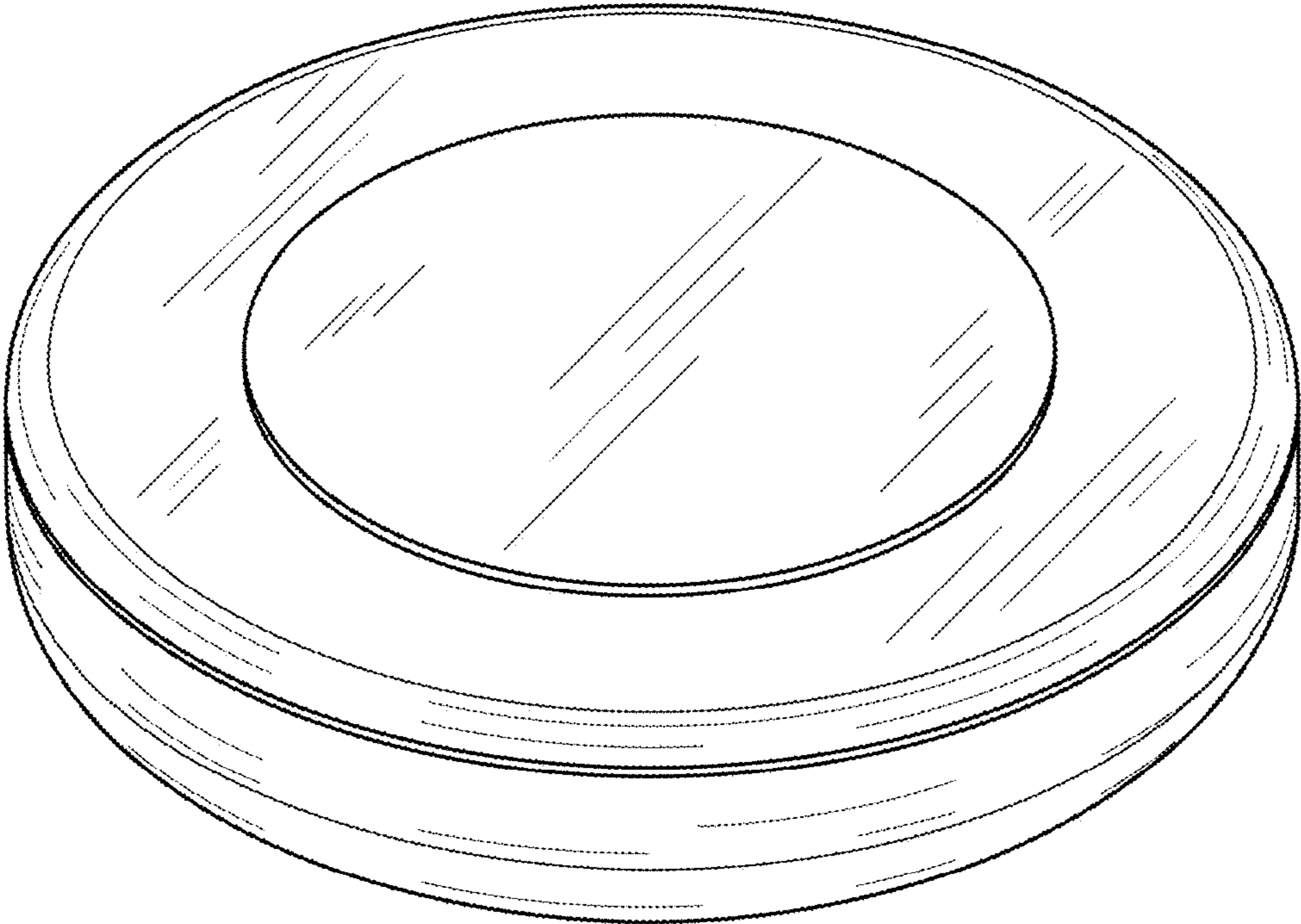


FIG. 3

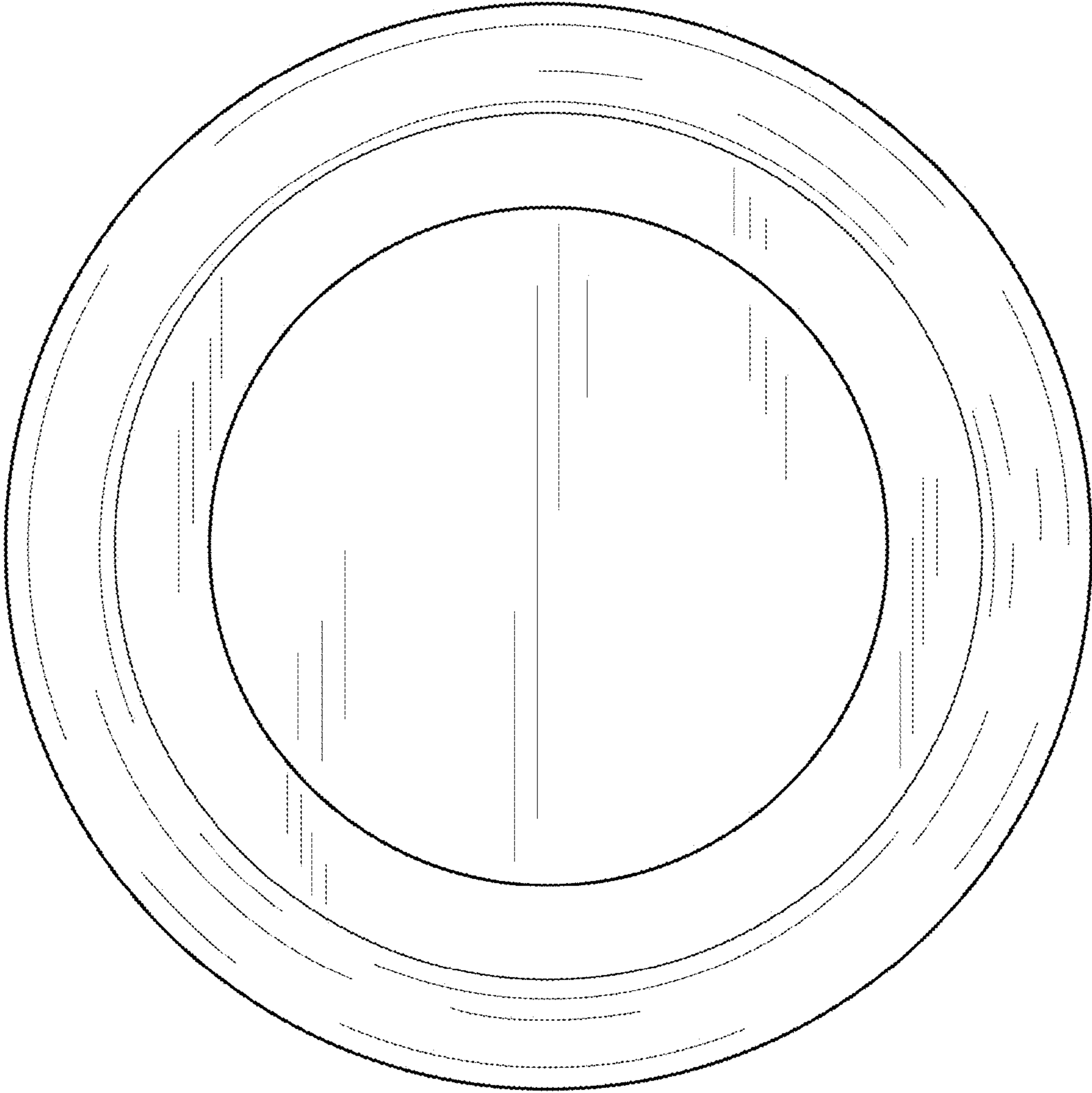


FIG. 4

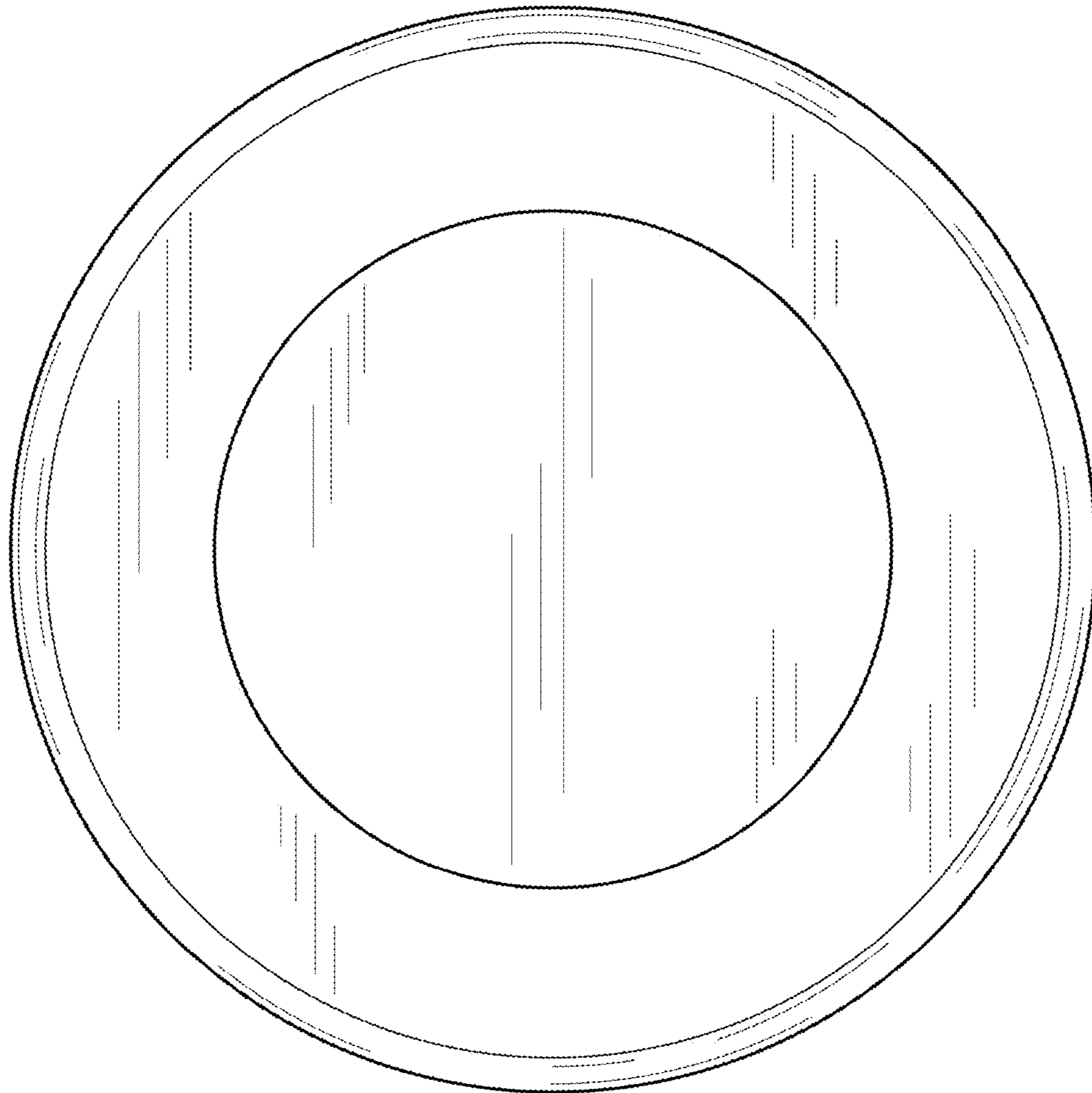


FIG. 5

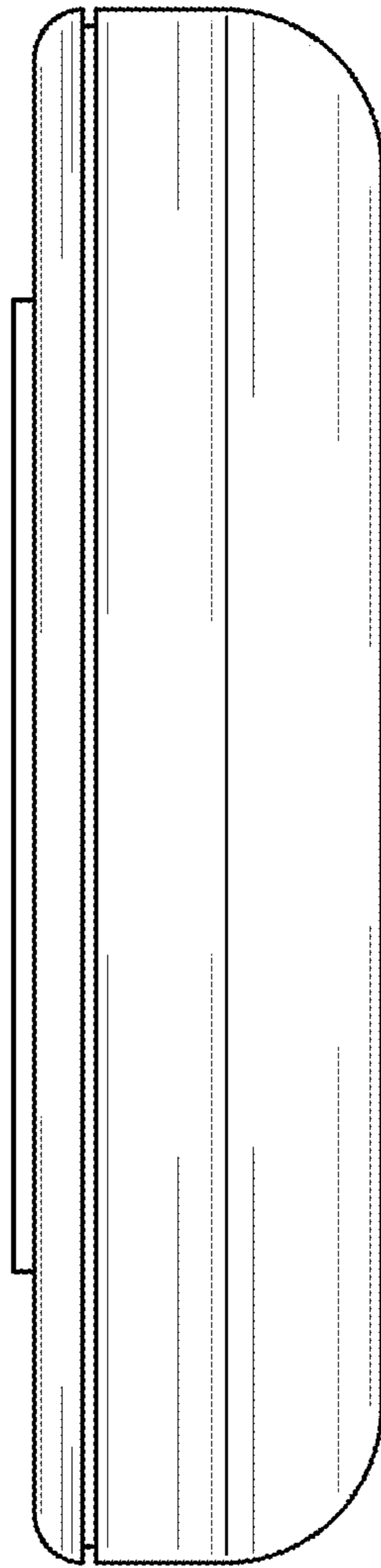


FIG. 6

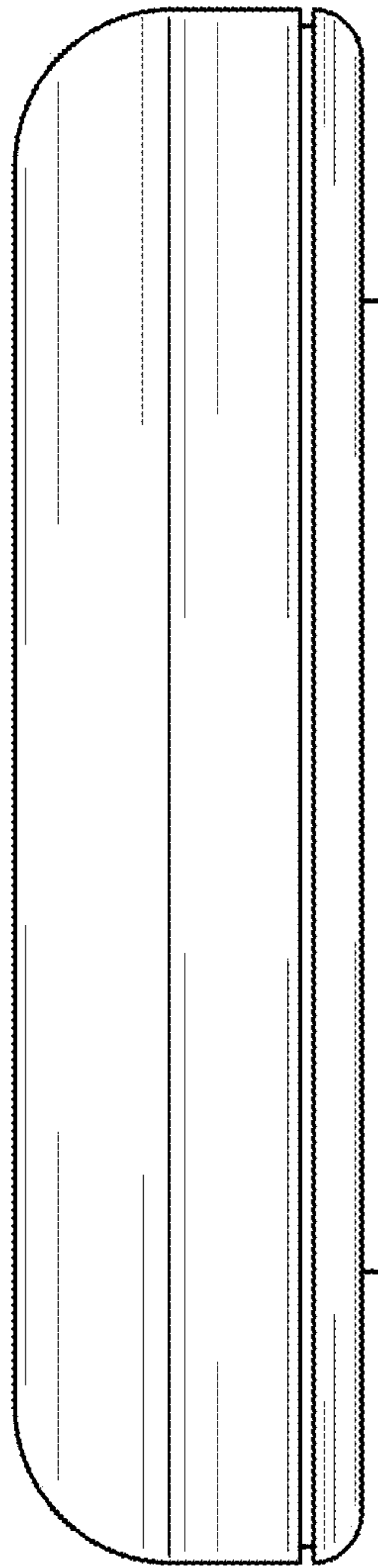


FIG. 7

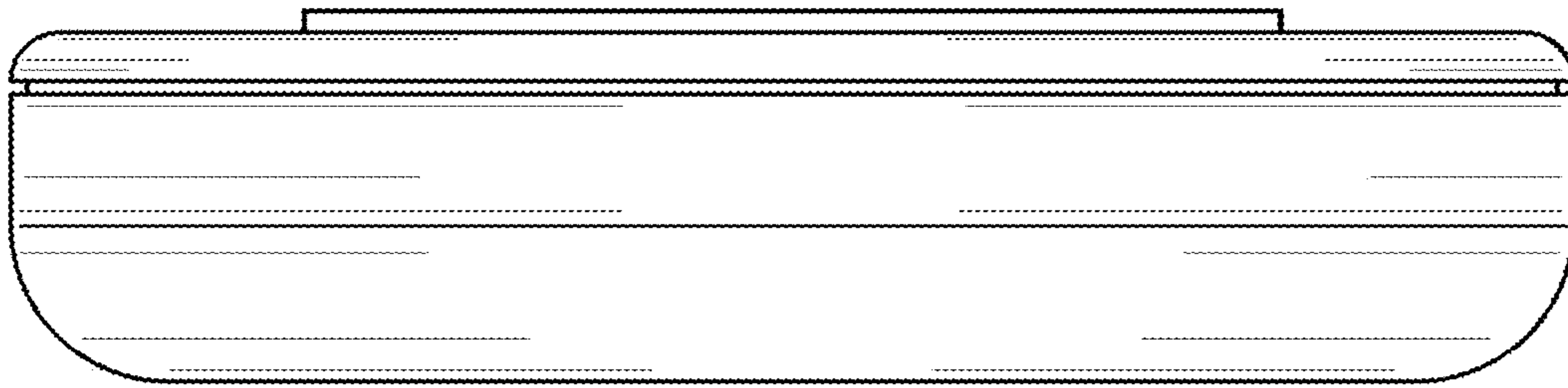


FIG. 8

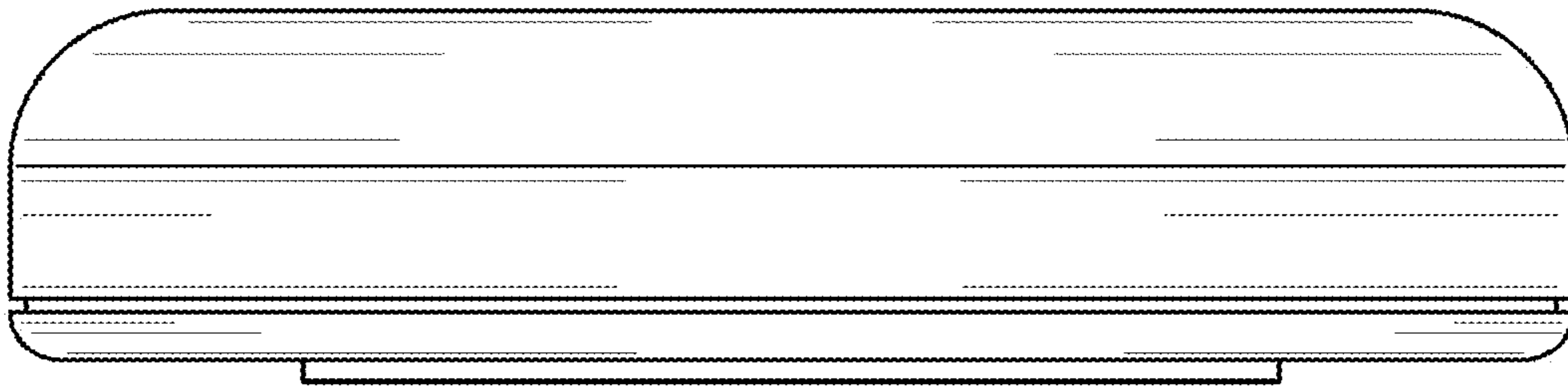


FIG. 9