



US00D908685S

(12) **United States Design Patent** (10) **Patent No.:** **US D908,685 S**
Bai (45) **Date of Patent:** **** Jan. 26, 2021**

(54) **MOBILE PHONE PROTECTIVE CASE**
(71) Applicant: **Weisen Bai**, Dongguan (CN)
(72) Inventor: **Weisen Bai**, Dongguan (CN)
(73) Assignee: **Dongguan Yuetao Plastic Electronics Technology Co., Ltd.**, Songguan (CN)

D845,290 S * 4/2019 Brubaker D14/250
D861,663 S * 10/2019 Ahn D14/250
D861,665 S * 10/2019 Li D14/250
D864,179 S * 10/2019 Lin D14/250
D876,420 S * 2/2020 Armstrong D14/250
D877,727 S * 3/2020 Armstrong D14/250
D878,348 S * 3/2020 Weng D14/250
D889,451 S * 7/2020 Chiang D14/250

(Continued)

(**) Term: **15 Years**

OTHER PUBLICATIONS

(21) Appl. No.: **29/703,879**

“CASEKOO Defense Armor iPhone 11 Pro Max Case [. . .]”
[online]. CASEKOO. [Product date first available on Apr. 19, 2016].
Retrieved from the Internet: <<https://www.amazon.com/dp/B08BHR9LQM/>>.*

(22) Filed: **Aug. 30, 2019**

(51) **LOC (13) Cl.** **14-03**

(52) **U.S. Cl.**
USPC **D14/250**

Primary Examiner — Khawaja Anwar
Assistant Examiner — Mojtaba Tehrani

(58) **Field of Classification Search**
USPC D14/217, 238.1, 240, 248, 250, 251–253,
D14/439, 440, 447; D13/107–108, 103,
D13/119; D3/201, 218, 247, 269, 273,
D3/301, 303
CPC H04B 1/3888; H04M 1/0283; H04M
1/0202; A45C 1/06; A45C 11/00; A45C
13/02; A45C 2011/002; A45F 2005/026;
A45F 2200/0525; A45F 2200/0516
See application file for complete search history.

(57) **CLAIM**

The ornamental design for a mobile phone protective case,
as shown and described.

(56) **References Cited**

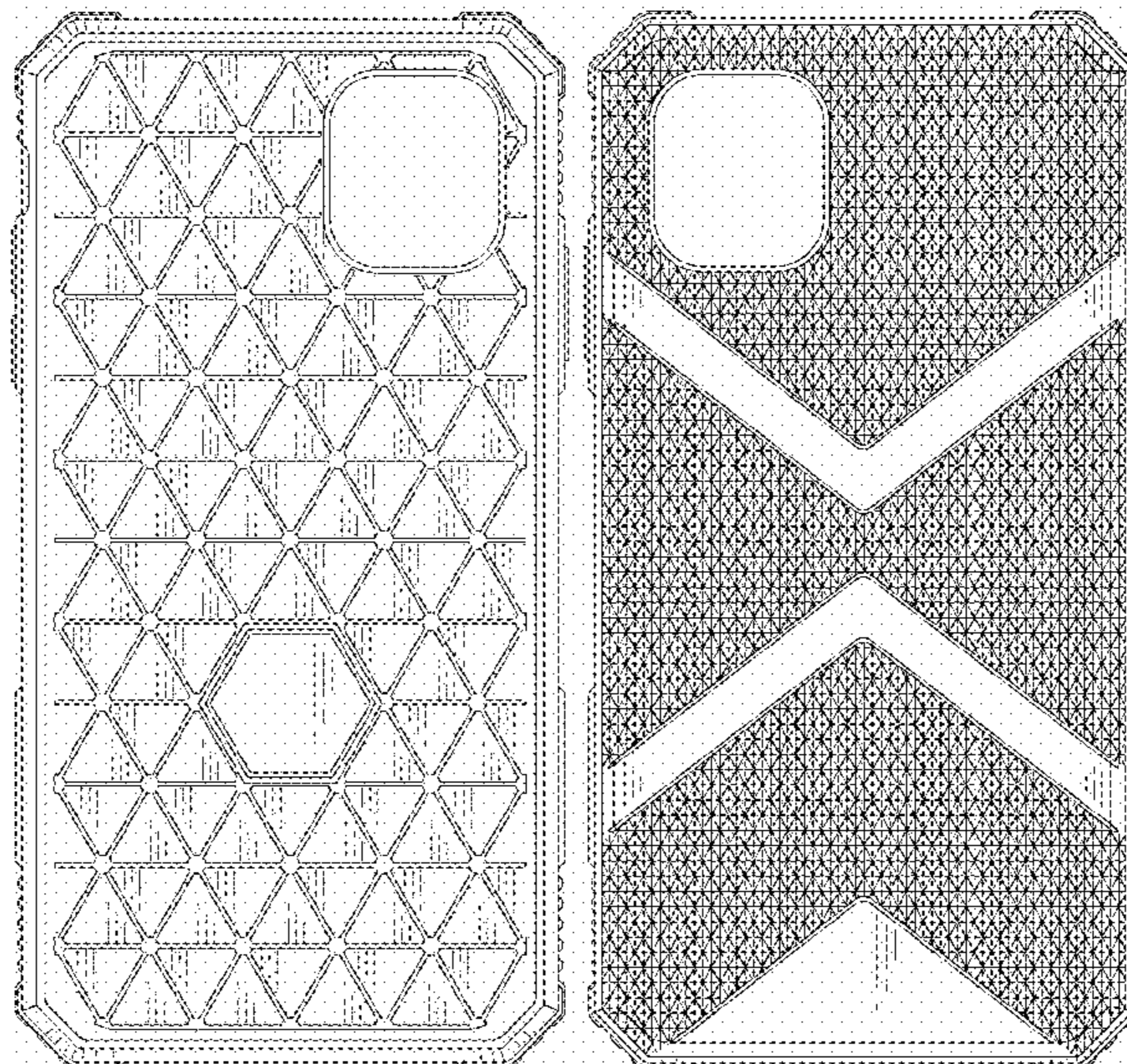
DESCRIPTION

U.S. PATENT DOCUMENTS

D703,656 S * 4/2014 Witter D14/250
D704,685 S * 5/2014 Yeh D14/248
D709,869 S * 7/2014 Witter D14/250
D771,027 S * 11/2016 Prstojevich D14/250
D778,271 S * 2/2017 Stump D14/250
D792,876 S * 7/2017 Kim D14/250
D794,626 S * 8/2017 Armstrong D14/250
D805,507 S * 12/2017 Jakobuco D14/250
D806,082 S * 12/2017 Armstrong D14/440
D816,654 S * 5/2018 Chen D14/250
10,103,769 B2 * 10/2018 Witter A45F 5/00
D843,363 S * 3/2019 Yan D14/250

FIG. 1 is a front perspective view of a mobile phone protective case showing my new design;
FIG. 2 is a rear perspective view thereof;
FIG. 3 is a front elevation view thereof;
FIG. 4 is a rear elevation view thereof;
FIG. 5 is a left side elevation view thereof;
FIG. 6 is a right side elevation view thereof;
FIG. 7 is a top plan view thereof, shown enlarged in scale;
FIG. 8 is a bottom plan view thereof, shown enlarged in scale; and,
FIG. 9 is an enlarged view of the mobile phone protective case taken from the circled portion in FIG. 1.
The broken lines in FIGS. 1 and 9 drawings depict unclaimed boundary of the enlarged views only and form no part of the claimed design.

1 Claim, 9 Drawing Sheets



(56)

References Cited

U.S. PATENT DOCUMENTS

2013/0271922 A1* 10/2013 Wilson H04M 1/185
361/724
2015/0195938 A1* 7/2015 Witter G06F 1/1656
206/521

* cited by examiner

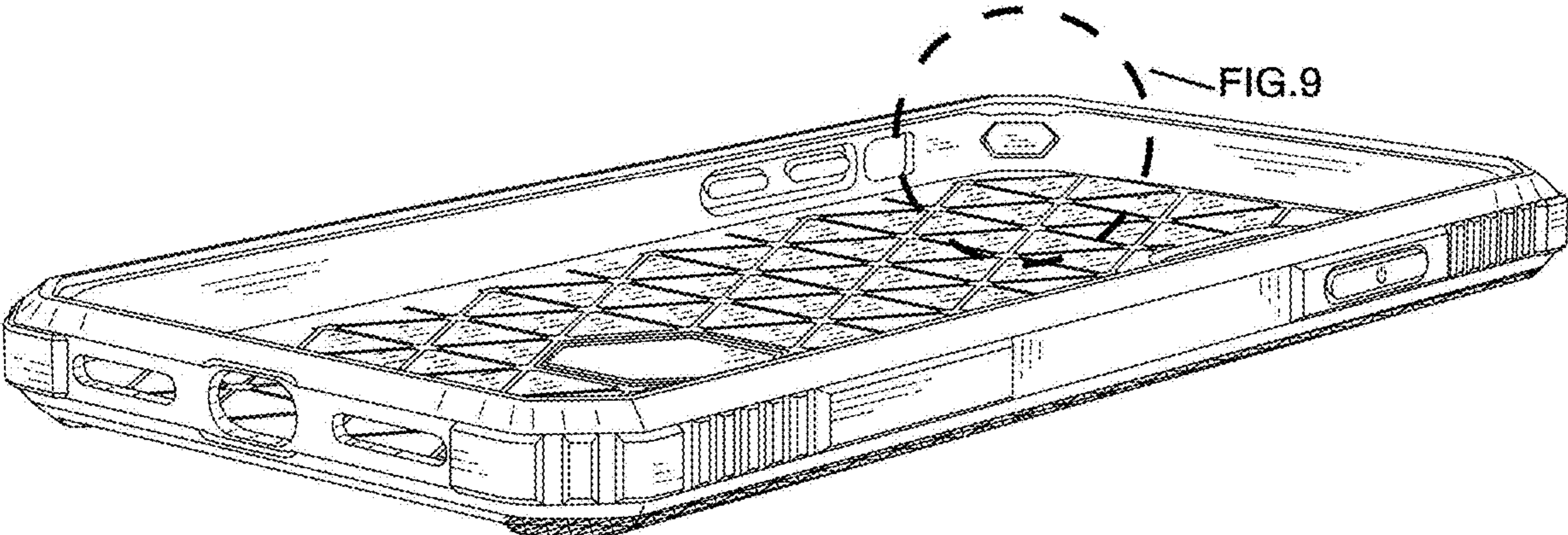


FIG.1



FIG.2

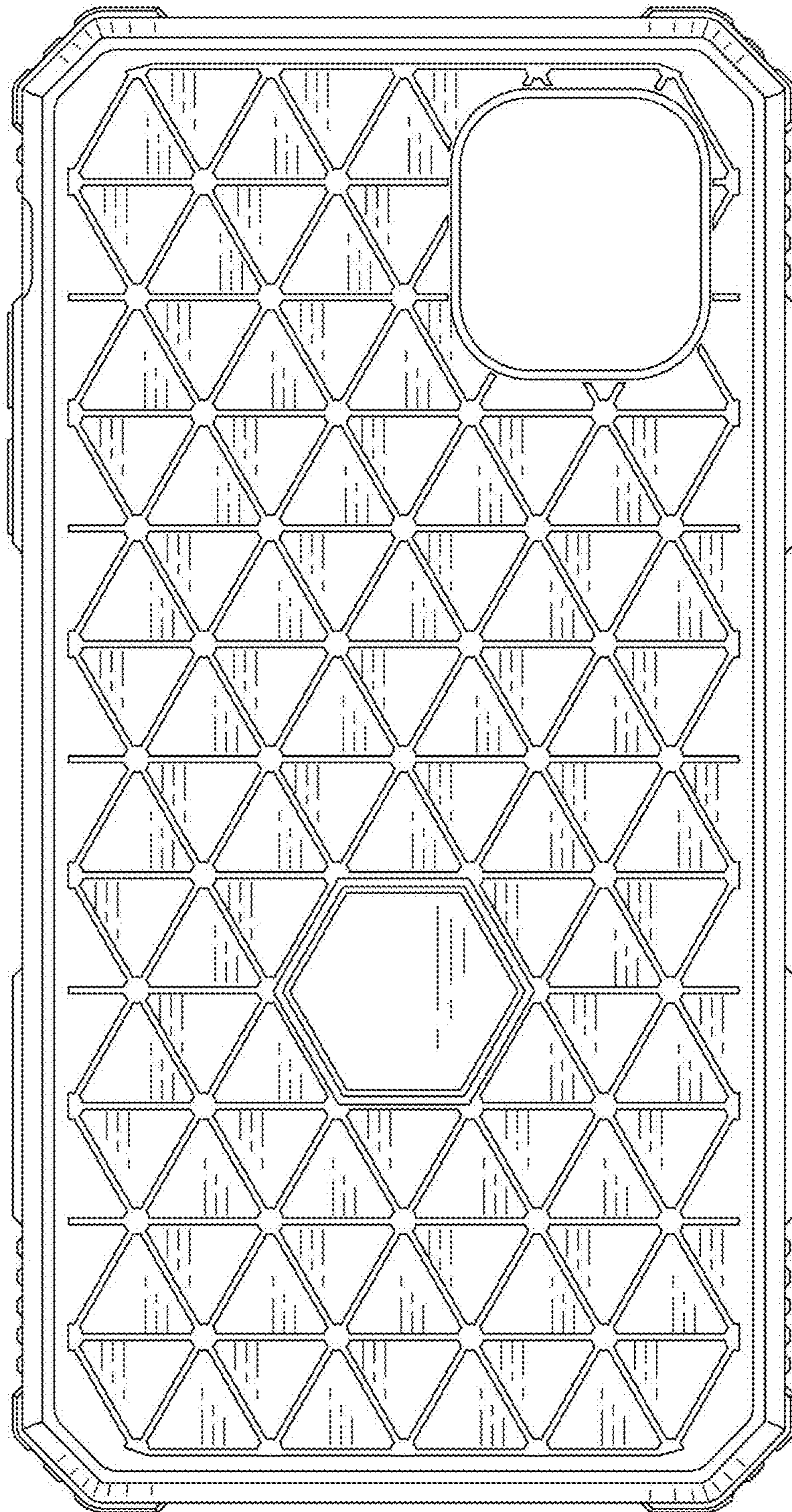


FIG.3

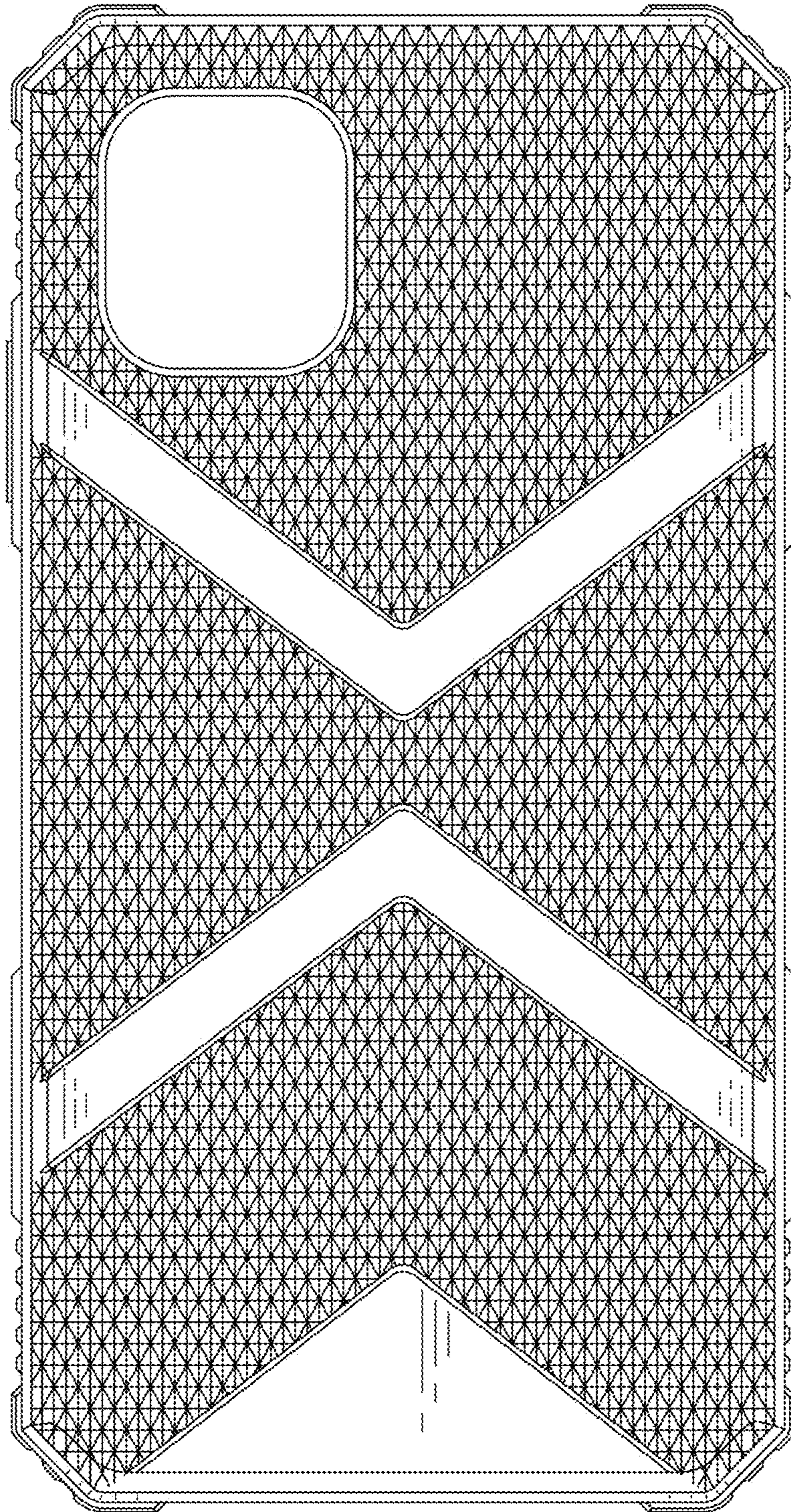


FIG.4

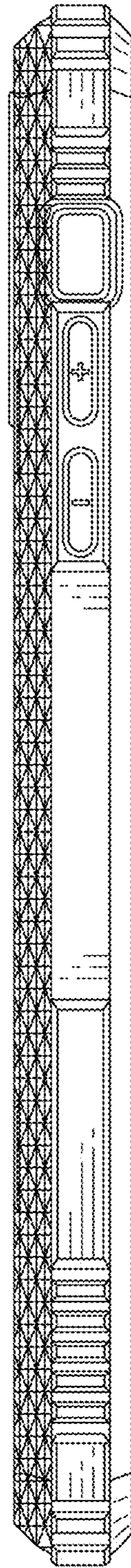


FIG. 5

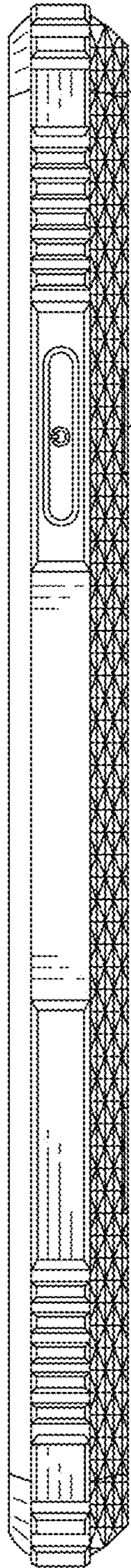


FIG. 6

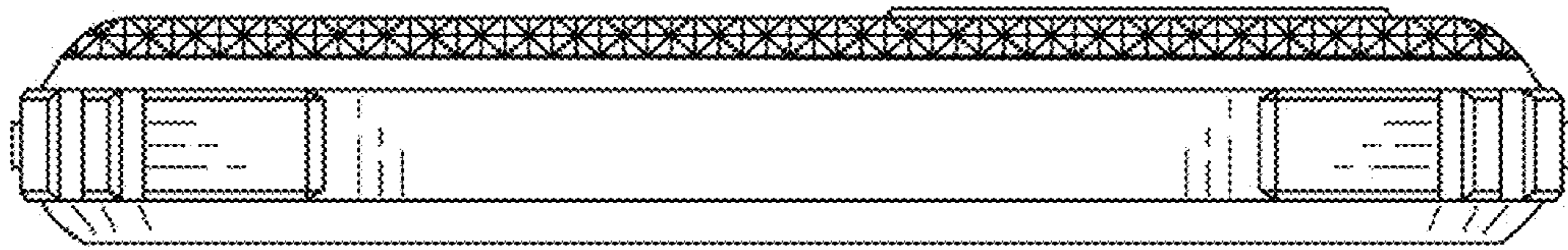


FIG. 7

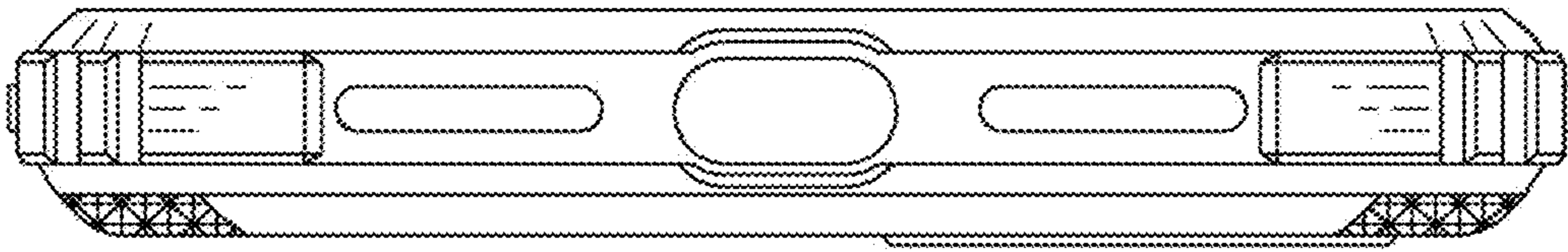


FIG. 8

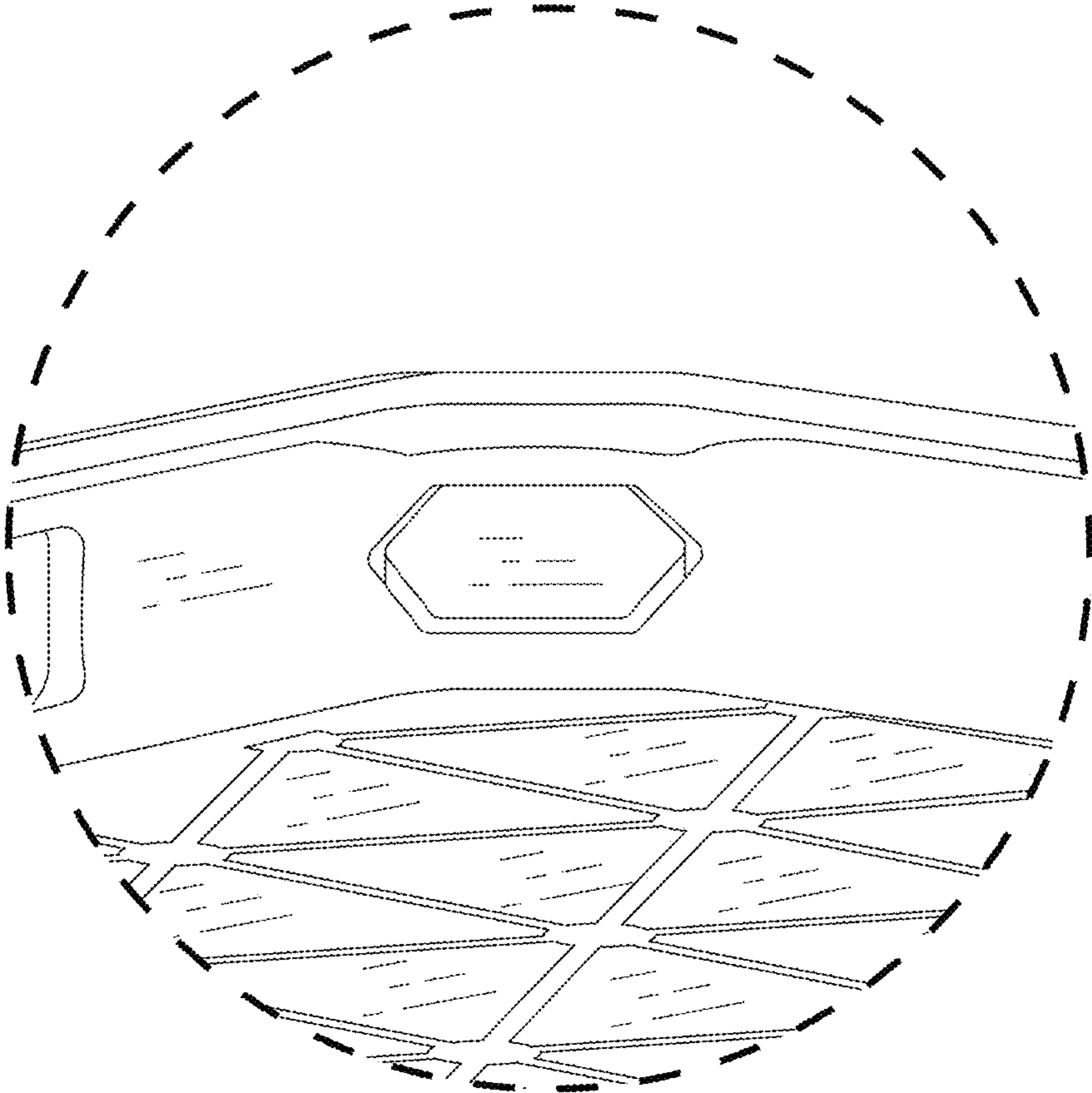


FIG. 9