



US00D908680S

(12) **United States Design Patent** (10) **Patent No.:** **US D908,680 S**  
**Kim** (45) **Date of Patent:** **\*\* Jan. 26, 2021**

(54) **CASE FOR ELECTRONIC COMMUNICATIONS DEVICE**  
(71) Applicant: **SPIGEN KOREA CO., LTD.**, Seoul (KR)  
(72) Inventor: **Seungjoo Kim**, Seoul (KR)  
(73) Assignee: **SPIGEN KOREA CO., LTD.**, Seoul (KR)

D673,541 S 1/2013 Weller et al.  
D676,837 S 2/2013 Rothbaum et al.  
D679,271 S 4/2013 Liu  
D681,619 S 5/2013 Smith  
D692,419 S \* 10/2013 Rayner ..... D14/250  
D697,504 S 1/2014 Yang  
D697,903 S 1/2014 Witter et al.  
D703,652 S 4/2014 Melanson et al.  
D703,654 S 4/2014 Melanson et al.  
D704,182 S 5/2014 Smith  
D706,254 S 6/2014 Chang  
(Continued)

(\*\*) Term: **15 Years**

(21) Appl. No.: **29/702,745**

(22) Filed: **Aug. 21, 2019**

(51) **LOC (13) Cl.** ..... **14-03**

(52) **U.S. Cl.**  
USPC ..... **D14/250**

(58) **Field of Classification Search**  
USPC ..... D14/440, 203.3–203.7, 439, 238.1,  
D14/251–253, 447, 217, 240, 248, 250;  
D3/201, 218, 247, 269, 273, 301, 303,  
D3/249; D13/103, 119, 107–108  
CPC H04B 1/3888; H04M 1/0283; H04M 1/0202;  
A45C 1/06; A45C 11/00; A45C 13/02;  
A45C 2011/002; A45F 2005/026; A45F  
2200/0525; A45F 2200/0516  
See application file for complete search history.

(56) **References Cited**

**U.S. PATENT DOCUMENTS**

D619,361 S 7/2010 Andre  
D638,411 S 5/2011 Willes et al.  
D643,422 S 8/2011 Smith et al.  
D648,332 S 11/2011 Kim et al.  
D654,488 S 2/2012 Chang et al.  
D669,071 S 10/2012 Akana et al.  
D670,281 S 11/2012 Corpuz et al.  
D671,930 S 12/2012 Akana et al.  
D673,540 S 1/2013 Weller et al.

**OTHER PUBLICATIONS**

“Caseology Skyfall for Apple iPhone 6S Case (2015) / for iPhone 6 Case (2014)—Black”, <https://www.amazon.com/iPhone-Caseology-Skyfall-Scratch-Resistant-Absorbent/dp/B013W2WCCQ>, first review date of Oct. 9, 2015, downloaded Jan. 16, 2020.

(Continued)

*Primary Examiner* — Carla J Wright  
(74) *Attorney, Agent, or Firm* — Heedong Chae; Lucem, PC

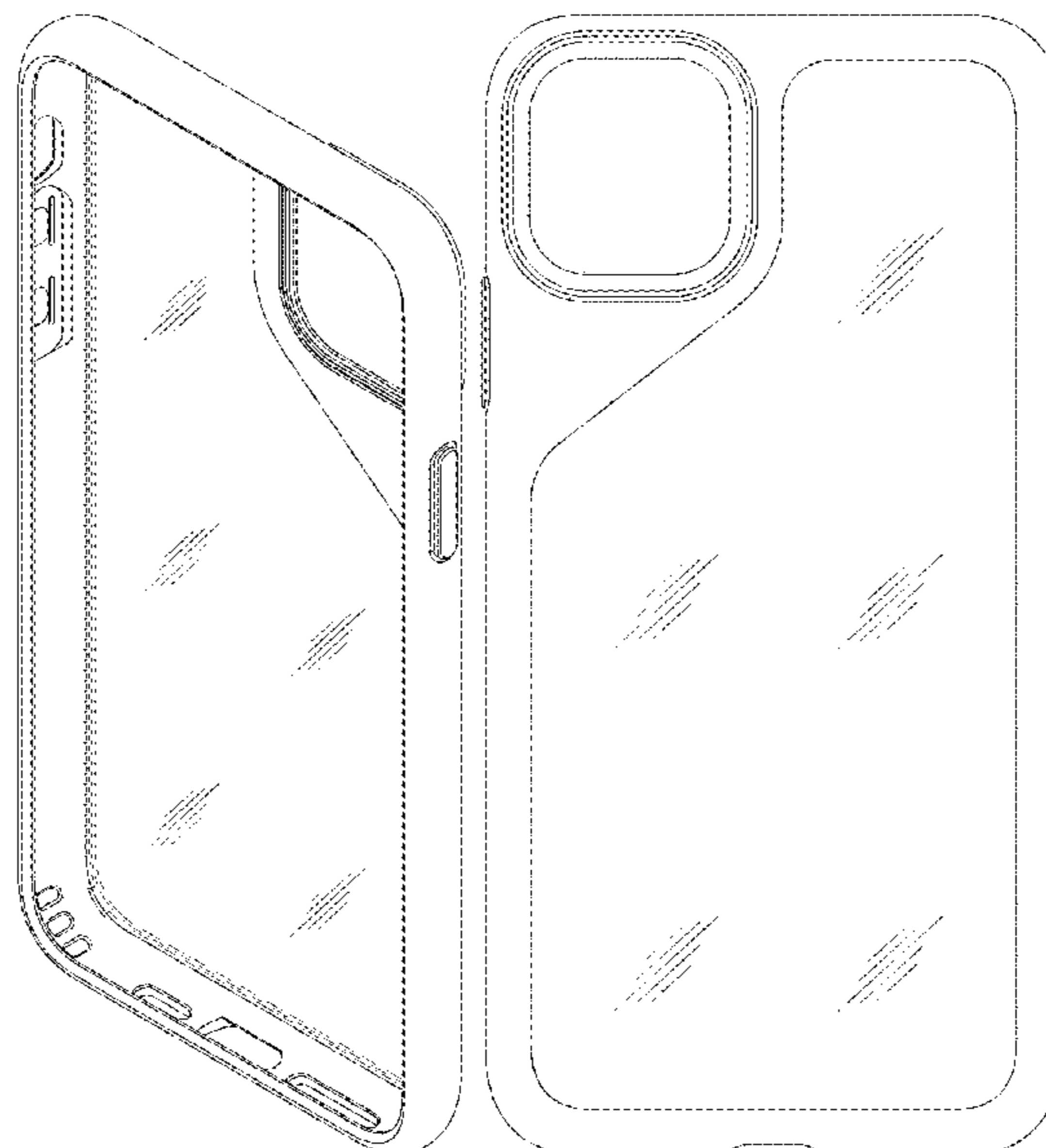
(57) **CLAIM**

The ornamental design for a case for electronic communications device, as shown and described.

**DESCRIPTION**

FIG. 1 is a front perspective view of the case for electronic communications device showing my new design; FIG. 2 is a rear perspective view thereof; FIG. 3 is a front elevational view thereof; FIG. 4 is a rear elevational view thereof; FIG. 5 is a left side elevational view thereof; FIG. 6 is a right side elevational view thereof; FIG. 7 is a top plan view thereof; and, FIG. 8 is a bottom plan view thereof.

**1 Claim, 8 Drawing Sheets**





(56)

References Cited

U.S. PATENT DOCUMENTS

D712,892 S 9/2014 Hong et al.  
 D714,276 S 9/2014 Hu et al.  
 D718,291 S 11/2014 Hong  
 D721,360 S 1/2015 Laffon de Mazieres et al.  
 D739,394 S \* 9/2015 Rayner ..... D14/250  
 D740,798 S 10/2015 Poon et al.  
 D744,471 S 12/2015 Fitzgerald et al.  
 D746,275 S 12/2015 Mohammad  
 D747,707 S 1/2016 Roberts et al.  
 D754,651 S 4/2016 Roberts et al.  
 D756,977 S \* 5/2016 Schriefer ..... D14/250  
 D757,702 S 5/2016 Kanazawa  
 D757,703 S 5/2016 Kanazawa  
 D757,704 S 5/2016 Roberts et al.  
 D759,966 S \* 6/2016 Pignotti ..... D3/247  
 D761,774 S 7/2016 Liang  
 D763,841 S 8/2016 Kim  
 D765,632 S \* 9/2016 Northrup ..... D14/250  
 D765,634 S 9/2016 McCray et al.  
 D765,644 S 9/2016 Witter et al.  
 D766,819 S \* 9/2016 Gjovik ..... D13/103  
 D772,210 S 11/2016 Igarashi  
 D772,211 S \* 11/2016 Poon ..... D14/250  
 D772,854 S 11/2016 Igarashi  
 D772,857 S 11/2016 Poon  
 D775,619 S 1/2017 Tien  
 D776,104 S 1/2017 Tien  
 D777,715 S 1/2017 Sawaya  
 D777,716 S 1/2017 Kim  
 D780,167 S 2/2017 Tien  
 D781,835 S 3/2017 Kim et al.  
 D781,839 S 3/2017 Kim et al.  
 D786,853 S 5/2017 Friedland et al.  
 D787,498 S 5/2017 Chen  
 D788,090 S 5/2017 Kim  
 D791,773 S 7/2017 Moore et al.  
 D794,006 S \* 8/2017 Dong ..... D14/250  
 D798,287 S 9/2017 Wright et al.  
 D798,855 S 10/2017 Wright et al.  
 D801,323 S 10/2017 Kim  
 D802,576 S 11/2017 Ahn  
 D806,692 S \* 1/2018 Jia ..... D14/250  
 D807,868 S 1/2018 Wang  
 D808,377 S 1/2018 Witter et al.  
 D808,378 S \* 1/2018 Witter ..... D14/250  
 D815,082 S 4/2018 Kim  
 D818,466 S 5/2018 Chang  
 D820,821 S \* 6/2018 Ahn ..... D14/250  
 D823,298 S \* 7/2018 Kim ..... D14/250  
 D831,638 S \* 10/2018 Kim ..... D14/250  
 D834,571 S 11/2018 Ravid  
 D839,258 S \* 1/2019 Ahn ..... D14/250  
 D839,859 S 2/2019 Zhang  
 D839,863 S \* 2/2019 Ahn ..... D14/250  
 D845,940 S \* 4/2019 Roberts ..... D14/250  
 D847,807 S 5/2019 Wright et al.  
 D851,082 S 6/2019 Fitzgerald et al.  
 D852,184 S \* 6/2019 Hyun ..... D14/250  
 D855,610 S \* 8/2019 Wei ..... D14/250  
 D857,684 S \* 8/2019 Lee ..... D14/250  
 D877,132 S \* 3/2020 Yang ..... D14/250  
 D877,731 S \* 3/2020 Kim ..... D14/250  
 D878,346 S \* 3/2020 Kim ..... D14/250  
 D879,760 S \* 3/2020 Altschul ..... D14/250  
 D881,866 S \* 4/2020 Kim ..... D14/250  
 2016/0088912 A1 \* 3/2016 Lawson ..... A45C 11/182  
 2016/0101902 A1 4/2016 Kim  
 2017/0135454 A1 \* 5/2017 Poon ..... H04M 1/185

OTHER PUBLICATIONS

“Caseology Skyfall for Samsung Galaxy S7 Case (2016)—Rose Gold”, <https://www.amazon.com/Caseology-Skyfall-Galaxy-S7->

Case/dp/B0113240GJW, first review date of Mar. 1, 2016, downloaded Jan. 16, 2016.

“Caseology Envoy for Apple iPhone SE Case (2016) / for iPhone 5S Case (2013) / for iPhone 5 Case (2012)—Carbon Fiber Black”, <https://www.amazon.com/Caseology-Envoy-iPhone-Se-Case/dp/B01CT733PK>, first review date of May 2, 2016, downloaded Jan. 15, 2020.

“Caseology Envoy for Apple iPhone SE Case (2016) / for iPhone 5S Case (2013) / for iPhone 5 Case (2012)—Leather Pink”, <https://www.amazon.com/Caseology-Envoy-iPhone-Se-Case/dp/B01DAWHAG6>, first review date of 20160515, downloaded Jan. 15, 2020.

“Caseology Skyfall for Apple iPhone SE Case (2016) / for iPhone 5S Case (2013) / for iPhone 5 Case (2012)—Gold”, <https://www.amazon.com/Caseology-Skyfall-iPhone-Se-Case/dp/B01F8EOPLG>, first review date of May 28, 2016, downloaded Jan. 16, 2020.

“Caseology Skyfall for Apple iPhone 8 Plus Case (2017) / for iPhone 7 Plus Case (2016)—Clear Back & Slim Fit Red”, <https://www.amazon.com/Caseology-Skyfall-iPhone-Plus-Case/dp/B06XTZDQCF>, first review date of Sep. 15, 2016, downloaded Jan. 16, 2020.

“Caseology Skyfall for Apple iPhone 8 Case (2017) / for iPhone 7 Case (2016)—Clear Back & Slim Fit—Matte Black”, <https://www.amazon.com/Caseology-Skyfall-iPhone-Cover-Protective/dp/B01M99006N>, first review date of Sep. 8, 2016, downloaded Jan. 16, 2020.

“Caseology Envoy for Apple iPhone 8 Plus Case (2017) / for iPhone 7 Plus Case (2016)—Premium Leather—Matte Black”, <https://www.amazon.com/Caseology-Envoy-iPhone-Plus-Case/dp/B01M03C541>, first review date of Sep. 13, 2016, downloaded Jan. 15, 2020.

“Caseology Skyfall for Samsung Galaxy Note 8 Case (2017)—Clear Back & Slim Fit—Orchid Gray”, <https://www.amazon.com/Caseology-Skyfall-Galaxy-Note-Case/dp/B074NVQ5K2>, first review date of Sep. 2, 2017, downloaded Jan. 16, 2020.

“Caseology Skyfall for Apple iPhone X Case (2018) and iPhone X Case (2017)—Gold”, <https://www.amazon.com/Caseology-iPhone-Case-Skyfall-Transparent/dp/B07533KL6>, first review date of Sep. 22, 2017, downloaded Jan. 16, 2020.

“Caseology Skyfall for Apple iPhone X Case (2017)—Clear Back & Slim Fit—Blanc”, <https://www.amazon.com/Caseology-Skyfall-iPhone-Case-Premium/dp/B075RR3JZ8>, first review date of Nov. 1, 2017, downloaded Jan. 16, 2020.

“Caseology Skyfall for Google Pixel 2 Case (2017)—Clear Back & Slim Fit—Black”, <https://www.amazon.com/Caseology-Skyfall-Google-Pixel-Case/dp/B076YQHC1J>, first review date of Dec. 10, 2017, downloaded Jan. 16, 2020.

“Caseology Skyfall for Google Pixel 2 XL Case (2017)—Clear Back & Slim Fit—Black”, <https://www.amazon.com/Caseology-Skyfall-Google-Pixel-Case/dp/B076YQ5JYB>, first review date of Dec. 10, 2017, downloaded Jan. 16, 2020.

“Caseology Skyfall for Samsung Galaxy S9 Plus Case (2018)—Lilac Purple”, <https://www.amazon.com/Caseology-Skyfall-Galaxy-Plus-Case/dp/B079S1S2GL>, first review date of Mar. 5, 2018, downloaded Jan. 16, 2020.

“Caseology Skyfall for Galaxy S9 Case (2018)—Clear Back & Slim Fit—Blue Coral”, <https://www.amazon.com/Caseology-Skyfall-Galaxy-S9-Case/dp/B07994L7LD>, first review date of Mar. 8, 2018, downloaded Jan. 16, 2020.

“Caseology Skyfall for Galaxy S9 Case (2018)—Clear Back & Slim Fit—Silver Matte”, <https://www.amazon.com/Caseology-Skyfall-Galaxy-S9-Case/dp/B079SD1BKM>, first review date of Mar. 28, 2018, downloaded Jan. 16, 2020.

“Caseology Skyfall for Galaxy S9 Plus Case (2018)—Clear Back & Slim Fit—Silver Metallic”, <https://www.amazon.com/Caseology-Skyfall-Galaxy-Plus-Case/dp/B079RYW5Q9>, first review date of Mar. 28, 2018, downloaded Jan. 16, 2020.

“Caseology Skyfall for Galaxy Note 9 Case (2018)—Clear Back & Slim Fit—Ocean Blue”, <https://www.amazon.com/Caseology-Skyfall-Galaxy-Note-Case/dp/B07FK8CJCN>, first review date of Aug. 17, 2018, downloaded Jan. 16, 2020.

(56)

**References Cited**

OTHER PUBLICATIONS

“Caseology Waterfall for Apple iPhone 8 Plus Case (2017) / for iPhone 7 Plus Case (2016)—Minimal & Transparent Clear”, <https://www.amazon.com/Caseology-Waterfall-iPhone-Plus-Case/dp/B01KKWG18C>, first review date of Sep. 9, 2016, downloaded Jan. 16, 2020.

“Caseology Waterfall for Apple iPhone 8 / for iPhone 7 Case—Transparent & Minimal—Clear”, <https://www.amazon.com/Caseology-Waterfall-iPhone-Case-Transparent/dp/B01JSZNF68>, first review date of Sep. 11 2016, downloaded Jan. 16, 2020.

“Caseology Waterfall for Apple iPhone 8 Case (2017) / for iPhone 7 Case (2016)—Minimal & Transparent—Jet Black”, <https://www.amazon.com/Caseology-Waterfall-iPhone-Case-Transparent/dp/B01M4GHPBU>, first review date of Sep. 19, 2016, downloaded Jan. 16, 2020.

“Caseology Waterfall for Google Pixel Case (2016)—Minimal & Transparent—Clear”, <https://www.amazon.com/Caseology-Waterfall-Google-Pixel-Case/dp/B01MDKURI3>, first review date of Nov. 22, 2016, downloaded Jan. 16, 2020.

\* cited by examiner



FIG. 1

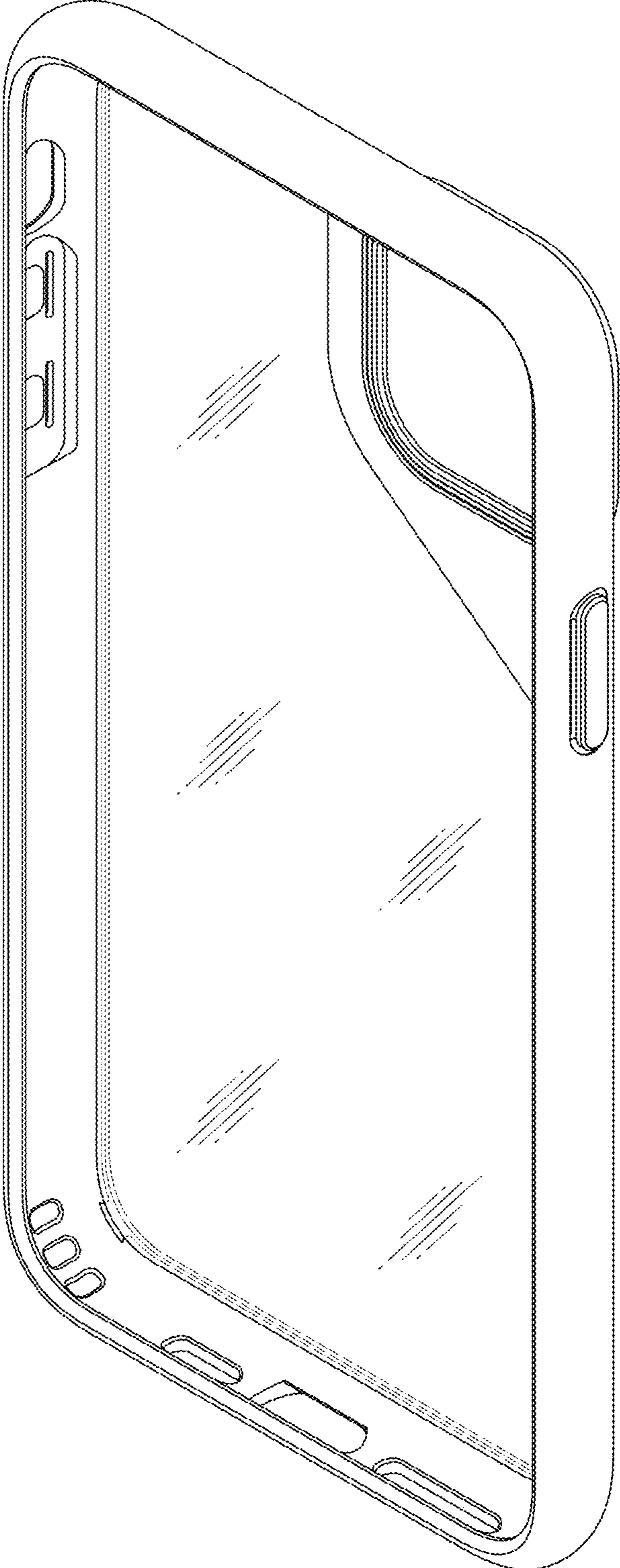


FIG. 2

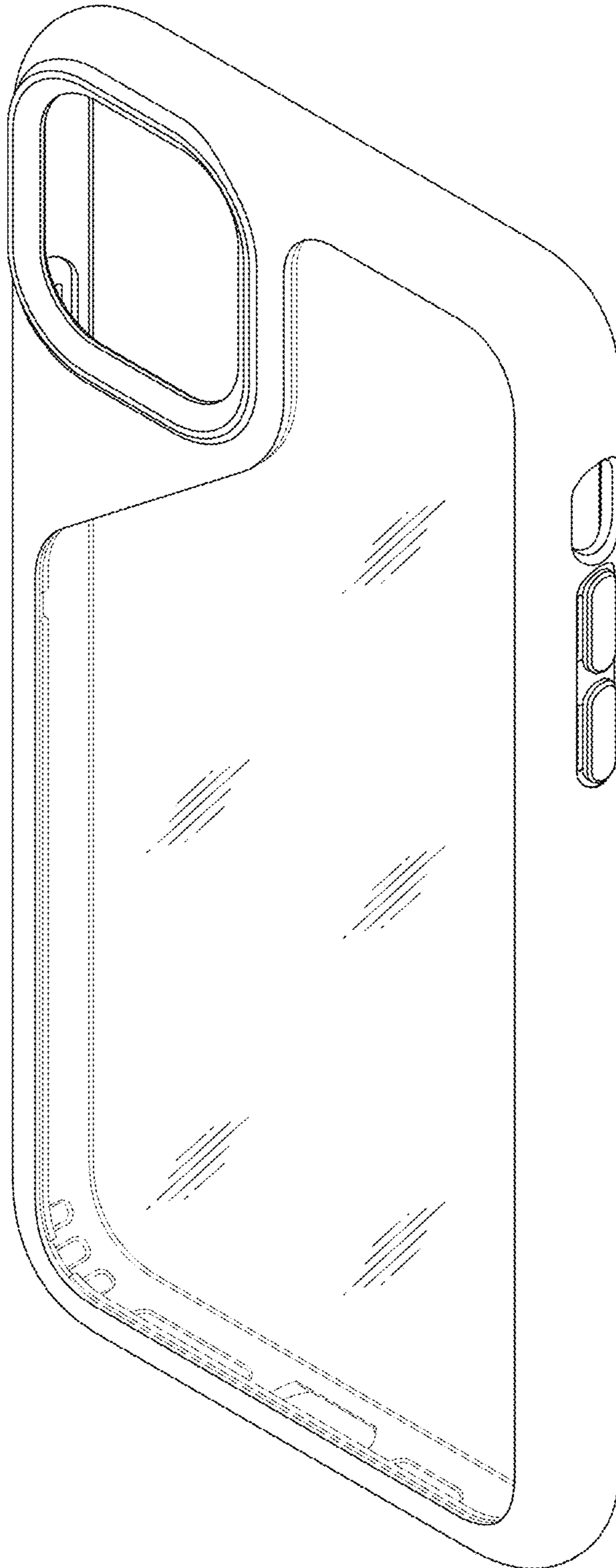


FIG. 3

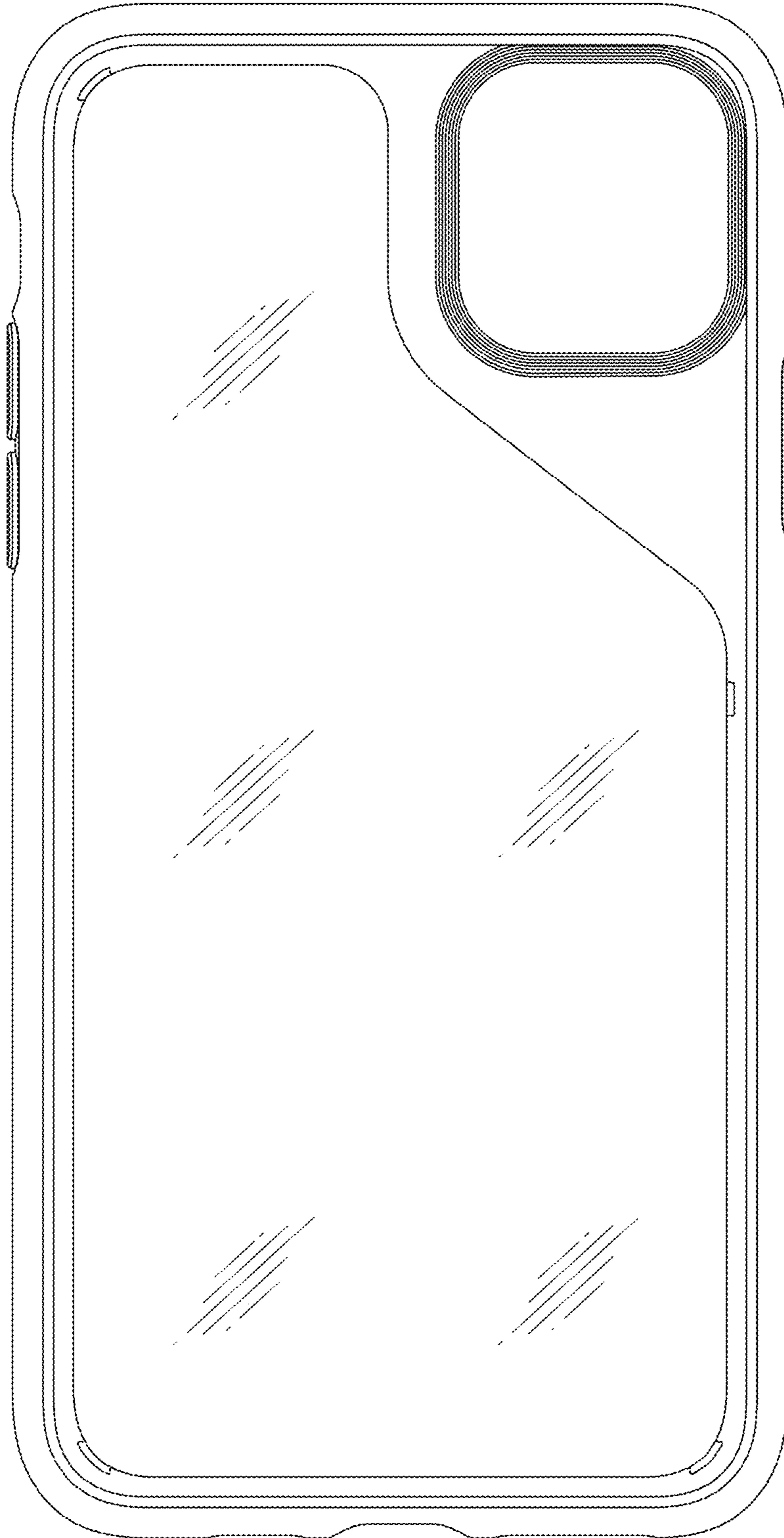


FIG. 4

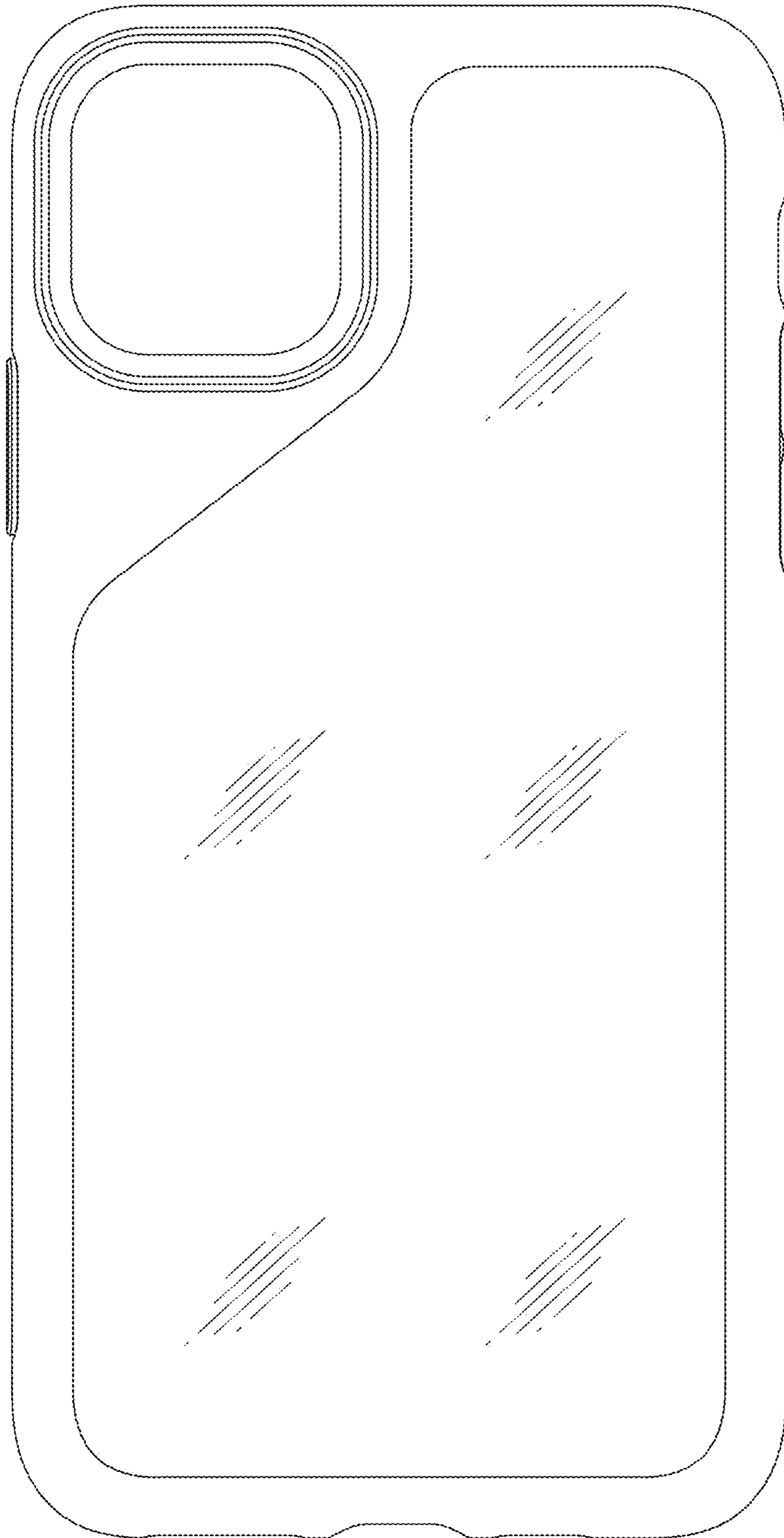


FIG. 5

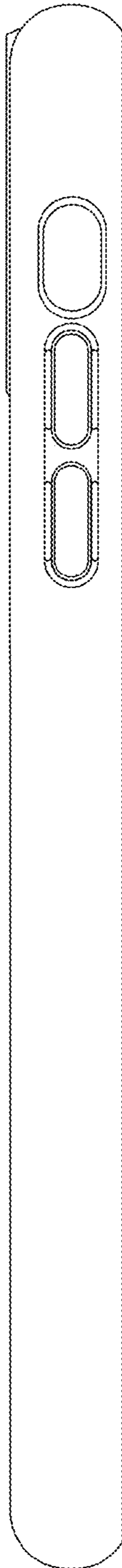




FIG. 6

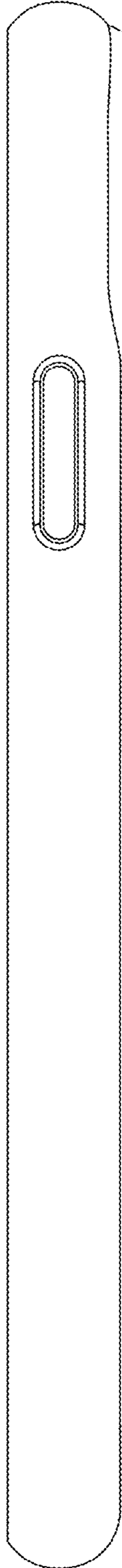


FIG. 7



FIG. 8

