



US00D908679S

(12) **United States Design Patent**  
**Kim**

(10) **Patent No.:** **US D908,679 S**

(45) **Date of Patent:** **\*\* Jan. 26, 2021**

(54) **CASE FOR ELECTRONIC COMMUNICATIONS DEVICE**

(71) Applicant: **SPIGEN KOREA CO., LTD.**, Seoul (KR)

(72) Inventor: **Jong Eun Kim**, Seoul (KR)

(73) Assignee: **SPIGEN KOREA CO., LTD.**, Seoul (KR)

(\*\*) Term: **15 Years**

(21) Appl. No.: **29/696,678**

(22) Filed: **Jun. 28, 2019**

(51) **LOC (13) Cl.** ..... **14-03**

(52) **U.S. Cl.**  
USPC ..... **D14/250**

(58) **Field of Classification Search**  
USPC ..... D14/440, 203.3–203.7, 439, 238.1, D14/251–253, 447, 217, 240, 248, 250; D3/201, 218, 247, 269, 273, 301, 303; D13/103, 119, 107–108  
CPC ..... H04B 1/3888; H04M 1/0283; H04M 1/0202; A45C 1/06; A45C 11/00; A45C 13/02; A45C 2011/002; A45F 2005/026; A45F 2200/0525; A45F 2200/0516

See application file for complete search history.

(56) **References Cited**

**U.S. PATENT DOCUMENTS**

- 320,567 A \* 6/1885 Lord ..... E04F 13/0862 52/388
- D606,532 S \* 12/2009 de Jong ..... D14/250
- D619,361 S 7/2010 Andre
- D620,703 S \* 8/2010 Jacobs ..... D3/218
- D638,006 S 5/2011 Chang
- D645,834 S \* 9/2011 Lee ..... D14/138 AD
- D651,202 S 12/2011 Fathollahi

(Continued)

**OTHER PUBLICATIONS**

“Spigen Liquid Air iPhone 6 Case with Durable Flex and Easy Grip Design for iPhone 6S/iPhone 6—Black”, <https://www.amazon.com/Spigen-Liquid-iPhone-Durable-Design/dp/B00LL5DV9U>, Earliest review date of Sep. 13, 2014, Downloaded on Jan. 17, 2019.

(Continued)

*Primary Examiner* — Carla J Wright

(74) *Attorney, Agent, or Firm* — Heedong Chae; Lucem, PC

(57) **CLAIM**

The ornamental design for a case for electronic communications device, as shown and described.

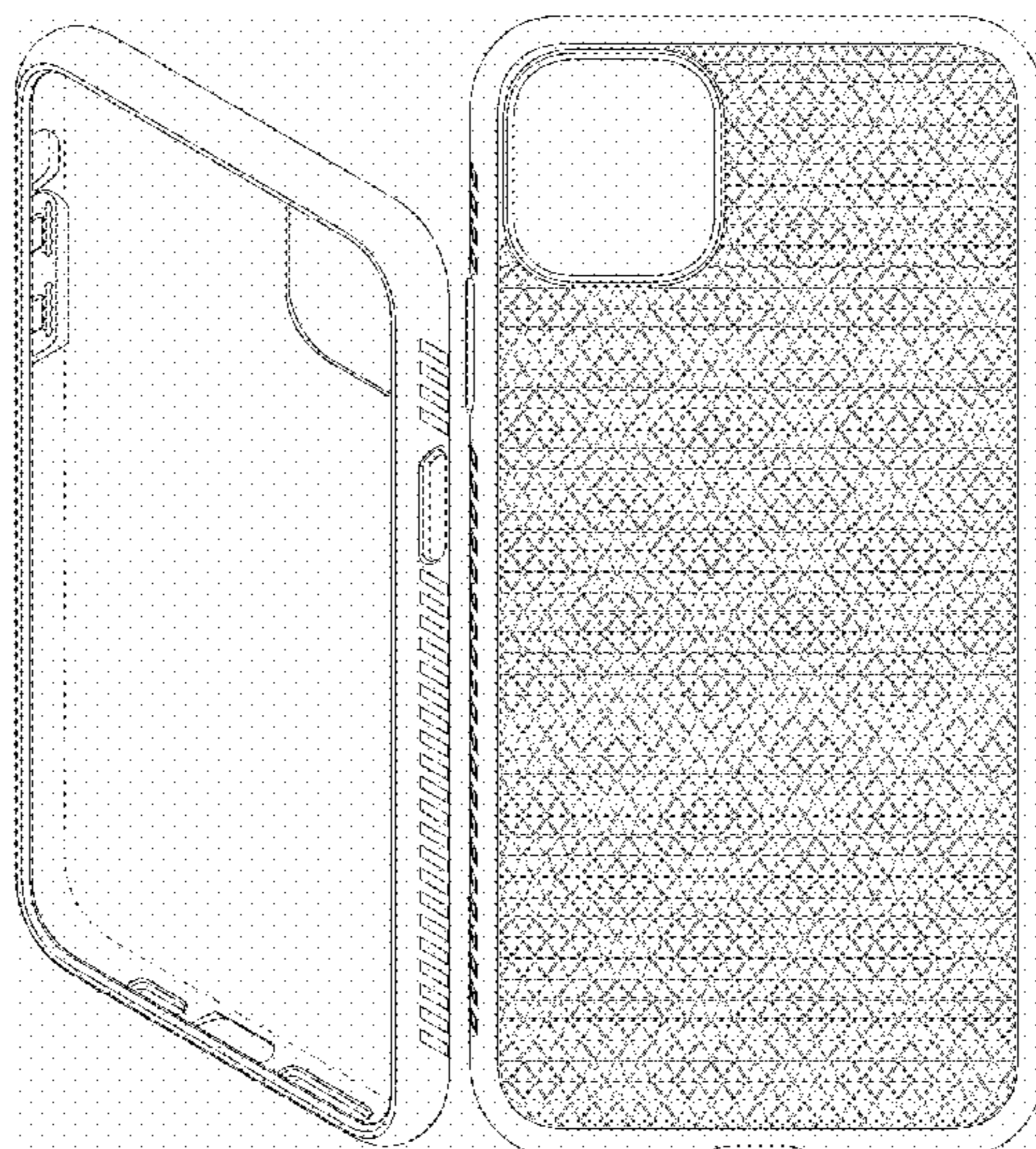
**DESCRIPTION**

FIG. 1 is a front perspective view of the case for electronic communications device showing my new design; FIG. 2 is a rear perspective view thereof; FIG. 3 is a front elevational view thereof; FIG. 4 is a rear elevational view thereof; FIG. 5 is a left side elevational view thereof; FIG. 6 is a right side elevational view thereof; FIG. 7 is a top plan view thereof; FIG. 8 is a bottom plan view thereof; and, FIG. 9 is an enlarged detail view of the encircled region of FIG. 2.

The dot-dash broken line circle in FIGS. 2 and 9 delineates a portion of the case for electronic communications device, including claimed subject matter, that is shown on an enlarged scale in FIG. 9.

With the exception of the interior button region and the interior edges of the various openings which are shown in solid lines, the interior surfaces of the case shown in FIGS. 1 and 3 and the dashed broken line shown in FIG. 1 form no part of the claimed design.

**1 Claim, 9 Drawing Sheets**



(56)

References Cited

U.S. PATENT DOCUMENTS

D654,491 S 2/2012 Melanson et al.  
 D655,287 S 3/2012 de Jong et al.  
 D655,288 S 3/2012 de Jong et al.  
 D663,297 S 7/2012 de Jong et al.  
 D669,071 S 10/2012 Akana et al.  
 D669,889 S 10/2012 Li et al.  
 D670,281 S 11/2012 Corpuz et al.  
 D671,930 S 12/2012 Akana et al.  
 D676,837 S 2/2013 Rothbaum et al.  
 D679,271 S 4/2013 Liu  
 D682,239 S \* 5/2013 Yeh ..... D14/138 G  
 D683,136 S \* 5/2013 Wilson ..... D3/218  
 D687,796 S 8/2013 Lee  
 D687,797 S 8/2013 Kim  
 D690,292 S \* 9/2013 Bibla ..... D14/250  
 D691,122 S 10/2013 Bau  
 D693,350 S \* 11/2013 Mish ..... D14/440  
 D694,759 S \* 12/2013 Chang ..... D14/440  
 D697,060 S \* 1/2014 Yang ..... D14/250  
 D703,656 S 4/2014 Witter et al.  
 D704,685 S \* 5/2014 Yeh ..... D14/248  
 D706,254 S 6/2014 Chang  
 D709,869 S \* 7/2014 Witter ..... D14/250  
 D712,892 S 9/2014 Hong et al.  
 D714,276 S 9/2014 Hu et al.  
 D718,291 S 11/2014 Hong  
 D719,559 S 12/2014 Dukerschein et al.  
 D720,736 S 1/2015 Chen et al.  
 D721,360 S 1/2015 Laffon de Mazieres et al.  
 D726,172 S 4/2015 Watkins et al.  
 D727,028 S \* 4/2015 Feng ..... D3/218  
 D732,525 S 6/2015 Seo et al.  
 D734,747 S \* 7/2015 Seo ..... D14/138 G  
 D735,182 S 7/2015 Watkins et al.  
 D737,259 S 8/2015 Choi  
 D739,394 S \* 9/2015 Rayner ..... D14/250  
 D740,798 S 10/2015 Poon et al.  
 D746,275 S 12/2015 Mohammad  
 D749,078 S \* 2/2016 Bertrand ..... D14/440  
 D755,167 S 5/2016 Chen et al.  
 D757,702 S 5/2016 Kanazawa  
 D757,703 S 5/2016 Kanazawa  
 D761,774 S 7/2016 Liang  
 D762,201 S \* 7/2016 Tseng ..... D14/250  
 D762,202 S \* 7/2016 Tseng ..... D14/250  
 D763,841 S 8/2016 Kim  
 D765,634 S 9/2016 McCray et al.  
 D765,642 S \* 9/2016 Bulkley ..... D14/250  
 D771,027 S 11/2016 Prstojevic et al.  
 D772,210 S 11/2016 Igarashi  
 D772,854 S 11/2016 Igarashi  
 D772,856 S 11/2016 Taylor et al.  
 D775,619 S 1/2017 Tien  
 D776,104 S 1/2017 Tien  
 D777,715 S 1/2017 Sawaya  
 D780,167 S 2/2017 Tien  
 D781,835 S 3/2017 Kim et al.  
 D781,839 S 3/2017 Kim et al.  
 D782,460 S 3/2017 Bertrand et al.  
 D786,853 S \* 5/2017 Friedland ..... D14/250  
 D788,090 S 5/2017 Kim  
 D791,113 S 7/2017 Tien et al.  
 D791,773 S 7/2017 Moore et al.  
 D812,600 S 3/2018 Altaras  
 D812,618 S 3/2018 Altaras  
 D812,619 S 3/2018 Altaras  
 D816,154 S \* 4/2018 Kim ..... D18/50  
 D816,651 S 5/2018 Chiang et al.  
 D816,653 S 5/2018 Yu  
 D823,382 S \* 7/2018 Kim ..... D18/50  
 D836,095 S 12/2018 Kim et al.  
 D840,990 S 2/2019 Kim  
 D840,991 S 2/2019 Kim  
 D840,992 S 2/2019 Kim  
 D843,363 S 3/2019 Yan

D845,290 S 4/2019 Brubaker et al.  
 D847,806 S 5/2019 Kim  
 D861,657 S \* 10/2019 Hyun ..... D14/250  
 D861,659 S \* 10/2019 Hyun ..... D14/250  
 2014/0221056 A1 \* 8/2014 Gandhi ..... H04B 1/3888  
 455/575.8  
 2016/0101902 A1 4/2016 Kim  
 2016/0164565 A1 \* 6/2016 Witter ..... H05K 5/03  
 455/575.8

OTHER PUBLICATIONS

“Spigen Liquid Air iPhone 6S Case with Durable Flex and Easy Grip Design for iPhone 6S 2015—Black”, <https://www.amazon.com/Spigen-Liquid-iPhone-Durable-Design/dp/B0141U0X6K>, Earliest review date of Sep. 1, 2015, Downloaded on Jan. 17, 2019.  
 “Spigen Liquid Air iPhone SE Case with Durable Flex and Easy Grip Design for iPhone SE 2016—Clear”, <https://www.amazon.com/Spigen-Durable-Flexible-Protection-Geometric/dp/B01CN2EMR4>, Earliest review date of Apr. 18, 2016, Downloaded on Jan. 17, 2019.  
 “iPhone 8 Case/iPhone 7 Case Spigen [Liquid Air Armor] Soft-Flex [Black] Premium Flexible Soft TPU Case for iPhone 7 (2016)/iPhone 8 (2017)—Black (042CS20511)”, <https://www.amazon.co.uk/d/Mobile-Phone-Cases-Covers/iPhone-Spigen-SOF-FLEX-Premium-Flexible-Nero/B01GIVX5M4>, Earliest review date of Aug. 2, 2016, Downloaded on Oct. 24, 2018.  
 “Spigen Liquid Air Armor iPhone 8 Plus Case/iPhone 7 Plus Case with Durable Flex and Easy Grip Design for Apple iPhone 8 Plus 2017 / iPhone 7 Plus 2016—Midnight Blue”, <https://www.amazon.com/Spigen-Liquid-iPhone-Durable-Design/dp/B01N0T8CLM>, Earliest review date of Sep. 7, 2016, Downloaded on Jan. 17, 2019.  
 “Spigen Liquid Air Armor iPhone 7 Case/iPhone 8 Case with Durable Flex and Easy Grip Design for Apple iPhone 7 (2016)/iPhone 8 (2017)—Black”, <https://www.amazon.com/dp/B01GIVX5M4>, Earliest review date of Sep. 12, 2016, Downloaded on Jul. 18, 2018.  
 “Spigen Liquid Air Armor iPhone 7 Case/iPhone 8 Case with Durable Flex and Easy Grip Design for Apple iPhone 7 (2016) / iPhone 8 (2017)—Midnight Blue”, <https://www.amazon.com/Spigen-Liquid-iPhone-Durable-Design/dp/B01MT1G4E6>, Earliest review date of Jan. 29, 2017, Downloaded on Jan. 17, 2019.  
 “Spigen Liquid Air Galaxy A5 2017 Case with Durable Flex and Easy Grip Design for Samsung Galaxy A5 (2017) Black”, <https://www.amazon.com/dp/B01N6EEBIV>, Earliest review date of Feb. 25, 2017, Downloaded on Jul. 18, 2018.  
 “Spigen Liquid Air Armor Galaxy S8 Plus Case with Durable Flex and Easy Grip Design for Samsung Galaxy S8 Plus (2017)—Black”, <https://www.amazon.com/dp/B06XP4WS9Y>, Earliest review date of Apr. 1, 2017, Downloaded on Jul. 18, 2018.  
 “Spigen Liquid Air Armor Galaxy S8 Case with Durable Flex and Easy Grip Design for Samsung Galaxy S8 (2017)—Black”, <https://www.amazon.com/dp/B06XP87DGC>, Earliest review date of Apr. 8, 2017, Downloaded on Jul. 31, 2018.  
 “Spigen Liquid Air Galaxy A3 2017 Case with Durable Flex and Easy Grip Design for Galaxy A3 (2017)—Black”, <https://www.amazon.com/dp/B01N6EDZFN>, Earliest review date of May 17, 2017, Downloaded on Jul. 18, 2018.  
 “Spigen Liquid Air Armor Galaxy J5 Pro (2017) International Version Case with Durable Flex and Easy Grip Design for Galaxy J5 pro(2017) International Version—Black”, <https://www.amazon.com/Spigen-Liquid-international-version-Durable/dp/B071H86FTY>, Earliest review date of Jul. 23, 2017, Downloaded on Jan. 17, 2019.  
 “Spigen Liquid Air Armor Galaxy Note 8 Case with Durable Flex and Easy Grip Design for Galaxy Note 8 (2017)—Matte Black”, <https://www.amazon.com/Spigen-Liquid-Galaxy-Durable-Design/dp/B073R6PMGK>, Earliest review date of Sep. 1, 2017, Downloaded on Jan. 17, 2019.  
 “Spigen Liquid Air Armor Designed for Apple iPhone XS Case (2018) / Designed for Apple iPhone X Case (2017)—Matte Black”,

(56)

**References Cited**

## OTHER PUBLICATIONS

<https://www.amazon.com/Spigen-Liquid-Armor-Designed-iPhone/dp/B074CMWM9H>, Earliest review date of Oct. 19, 2017, Downloaded on Jan. 9, 2019.

“Spigen Liquid Air Armor Galaxy S9 Case with Light but Durable Flexible Protection with Geometric Pattern for Samsung Galaxy S9 (2018)—Matte Black”, <https://www.amazon.com/Spigen-Durable-Flexible-Protection-Geometric/dp/B0789T8P88>, Earliest review date of Mar. 3, 2018, Downloaded on Jan. 17, 2019.

“Spigen Liquid Air Armor Galaxy S9 Plus Case with Light but Durable Flexible Protection with Geometric Pattern for Samsung Galaxy S9 Plus (2018)—Matte Black”, <https://www.amazon.com/Spigen-Durable-Flexible-Protection-Geometric/dp/B078FGFJRT>, Earliest review date of Mar. 10, 2018, Downloaded on Jan. 17, 2019.

“Spigen Liquid Air Armor Galaxy A8 Plus Case with Durable Flex and Easy Grip Design for Galaxy A8+ (2018)—Matte Black”, <https://www.amazon.com/Spigen-Liquid-Galaxy-Durable-Design/dp/B077MG1P51>, Earliest review date of Apr. 2, 2018, Downloaded on Jan. 17, 2019.

“Spigen Liquid Air Armor Galaxy A8 Case with Durable Flex and Easy Grip Design for Galaxy A8 (2018)—Matte Black”, <https://www.amazon.com/Spigen-Liquid-Galaxy-Durable-Design/dp/B077MMG17Y>, Earliest review date of May 18, 2018, Downloaded on Jan. 17, 2019.

“Spigen Liquid Air Armor Huawei P20 lite Case with Light but Durable Flexible Protection with Geometric Pattern for Huawei P20 lite (2018)—Black”, <https://www.amazon.com/Spigen-Durable-Flexible-Protection-Geometric/dp/B0792KCF5R>, Earliest review date of Jun. 9, 2018, Downloaded on Jan. 17, 2019.

“Spigen Liquid Air Armor Xiaomi Redmi Note 5 Case/Redmi 5 Plus Case with Light but Durable Flexible Protection with Geometric Pattern for Redmi Note 5 / Redmi 5 Plus (2018)—Black”, <https://www.amazon.com/Spigen-Durable-Flexible-Protection-Geometric/dp/B079NW7Y76>, Earliest review date of Jun. 22, 2018, Downloaded on Jan. 17, 2019.

I-Blason, “Samsung Galaxy J7 Unicorn Beetle Pro Full Body Rugged Holster Case”, <https://www.i-blason.com/samsung-galaxy-j7-unicorn-beetle-pro-case>, Earliest review date of Dec. 14, 2017, Downloaded on Aug. 8, 2019.

\* cited by examiner

FIG. 1

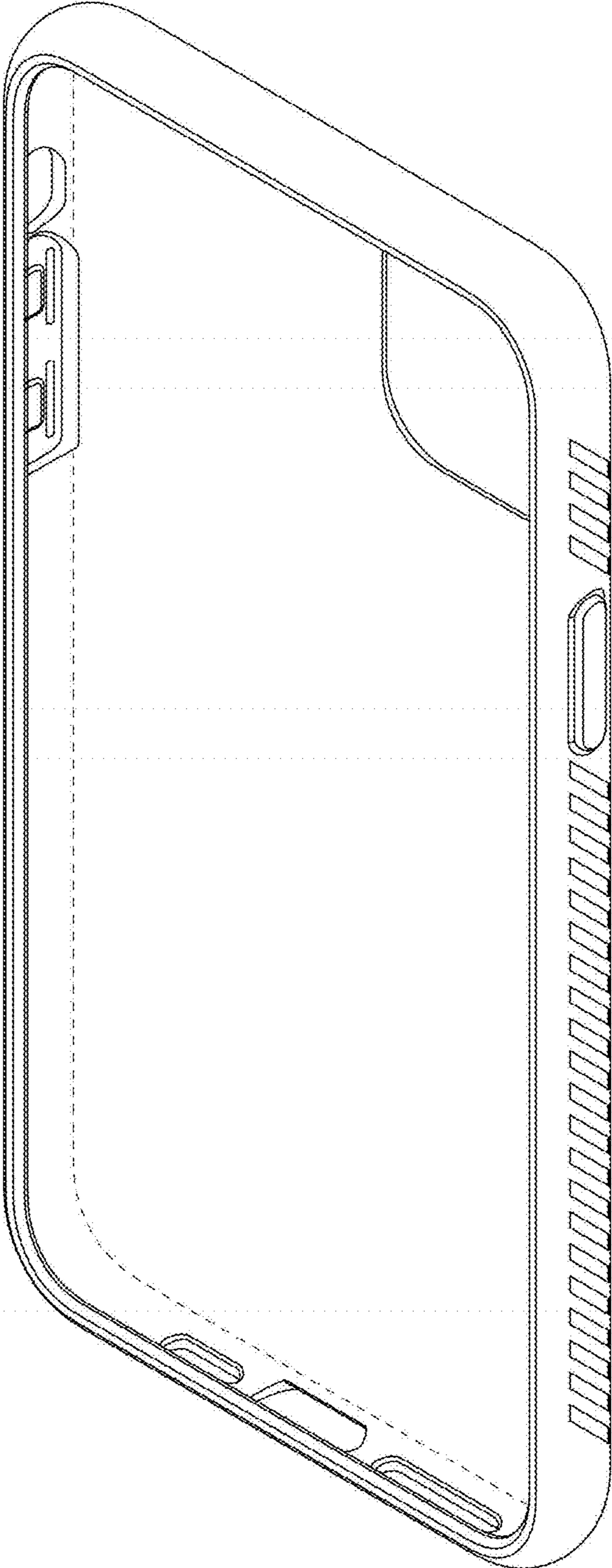


FIG. 2

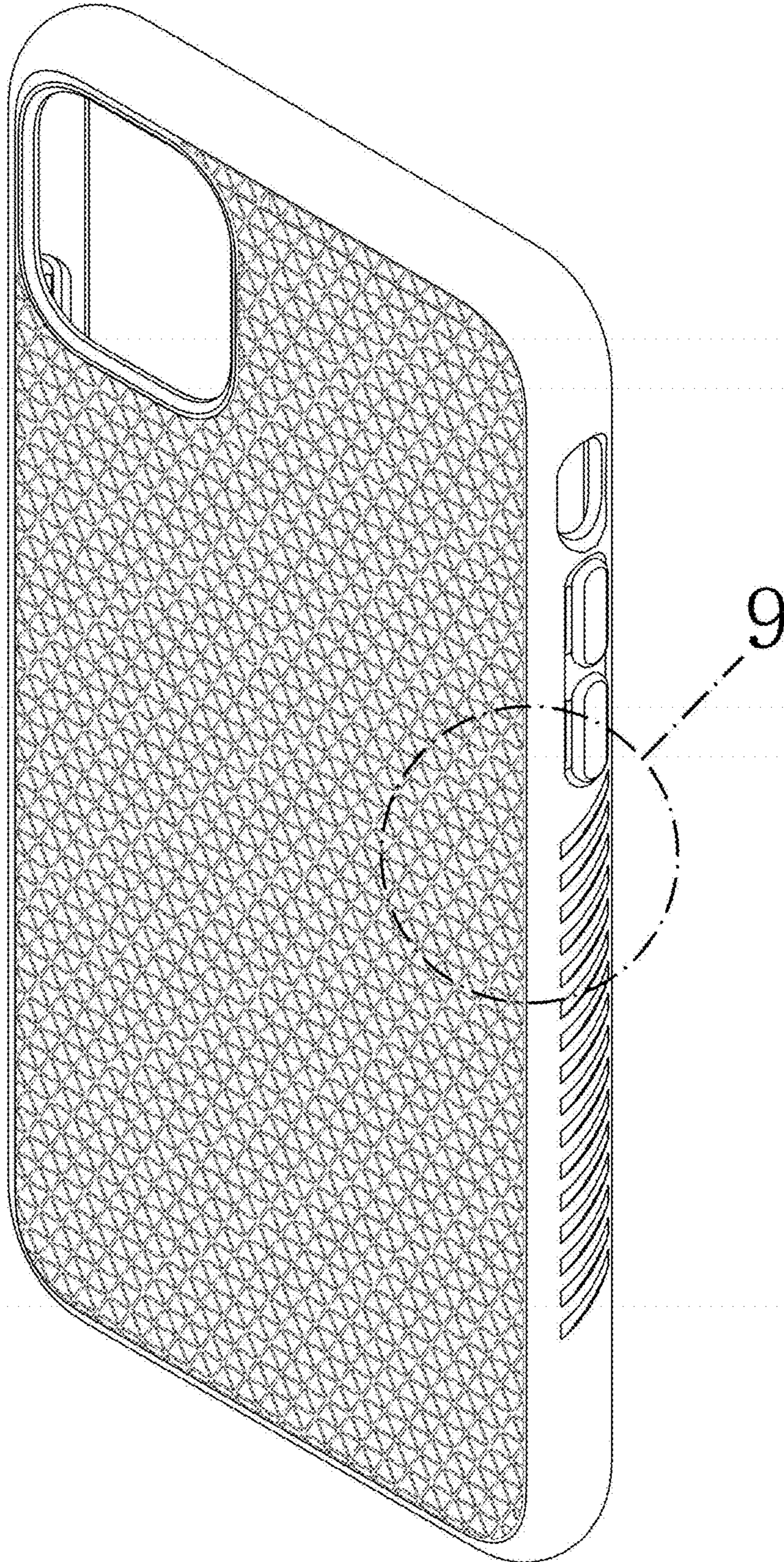


FIG. 3

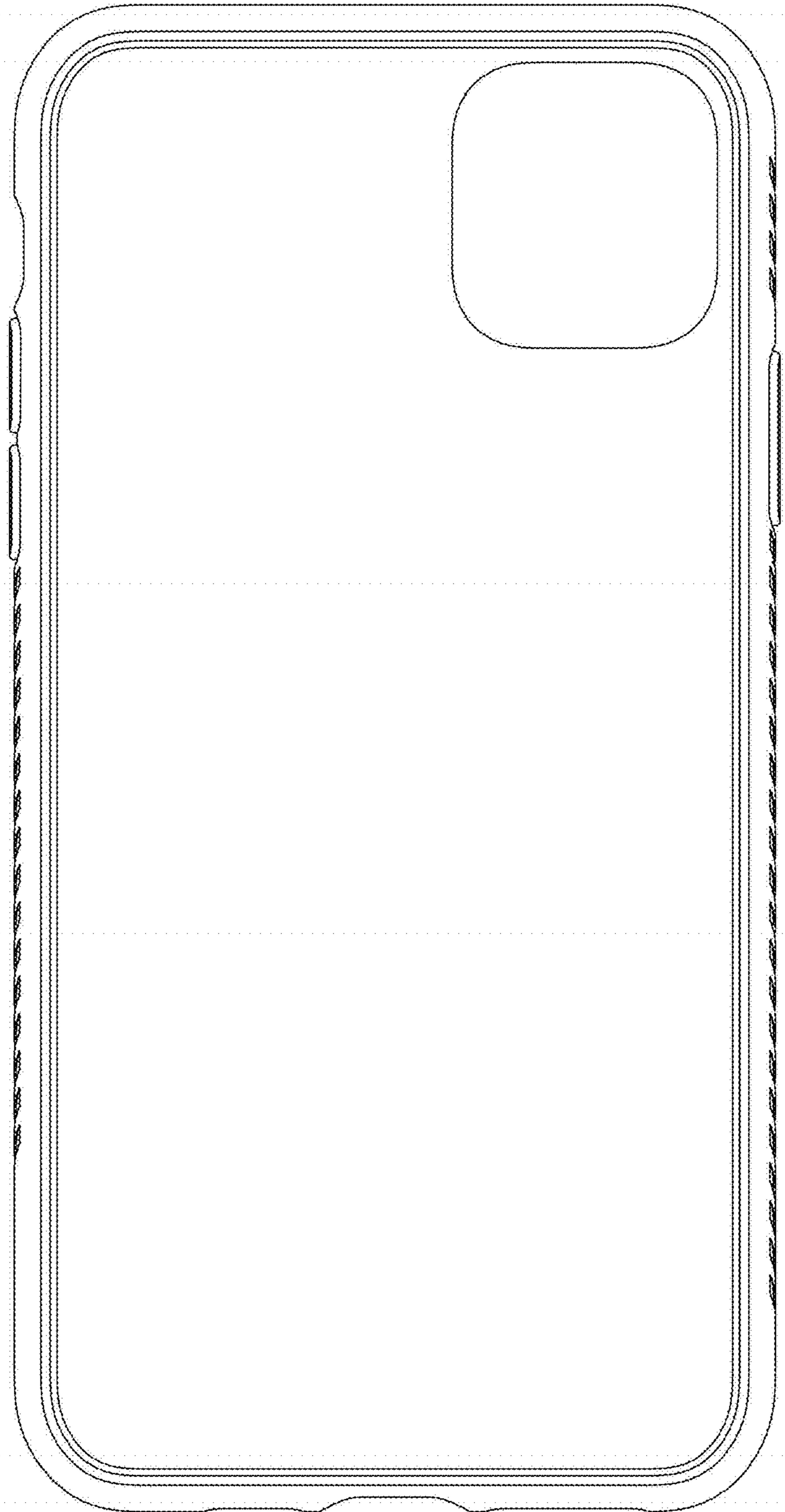


FIG. 4

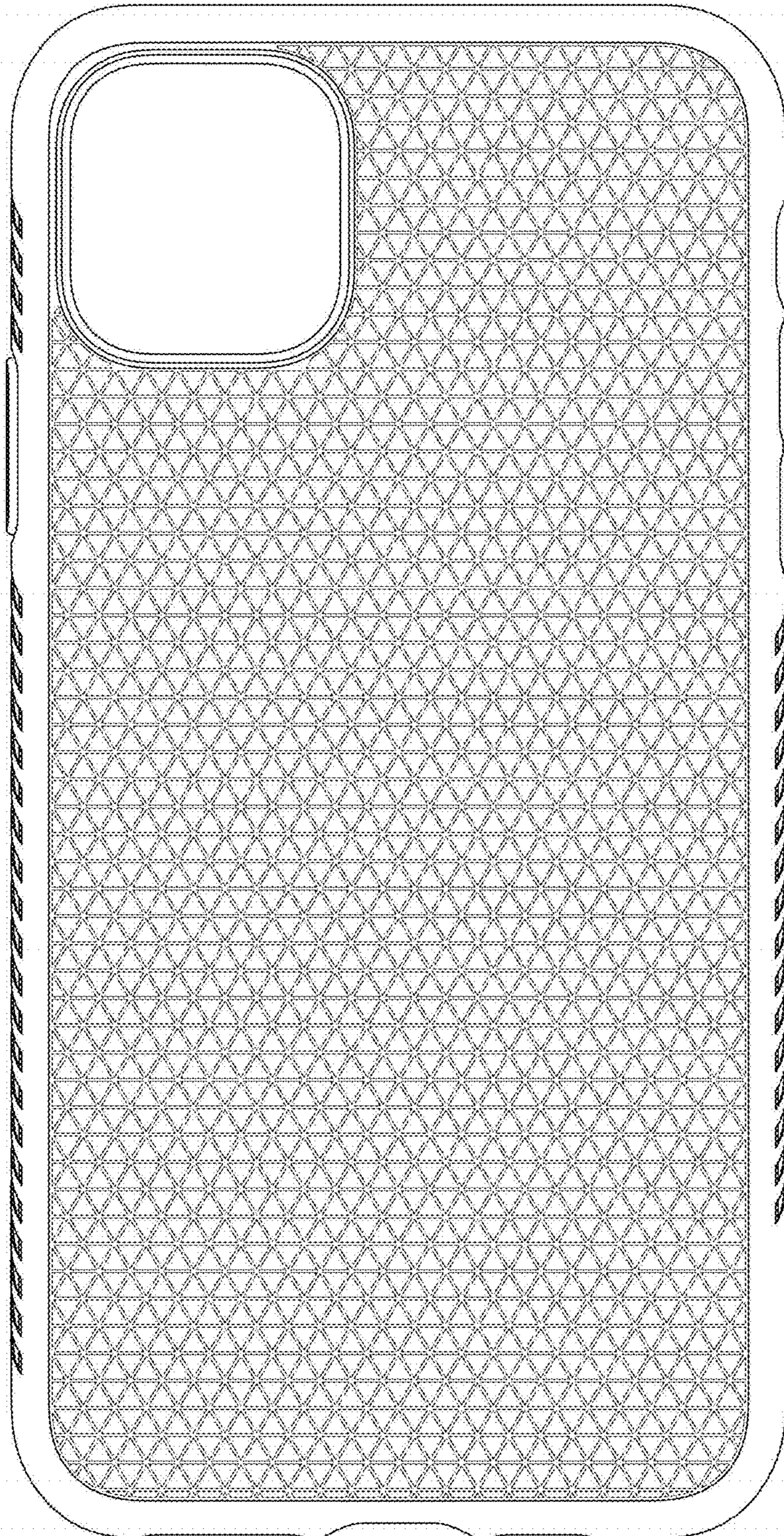


FIG. 5

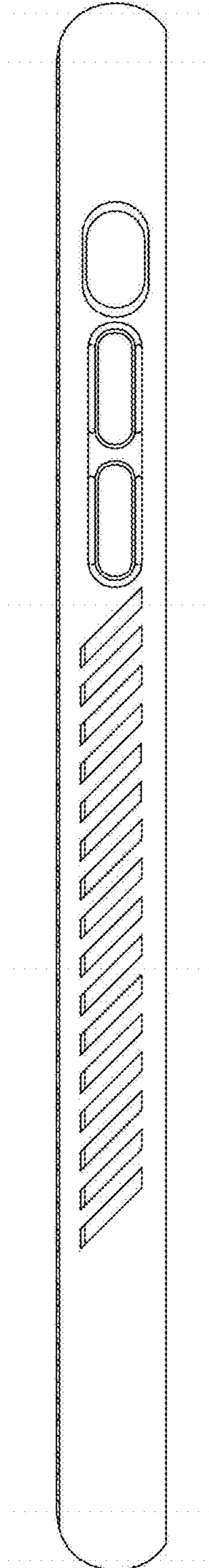




FIG. 6

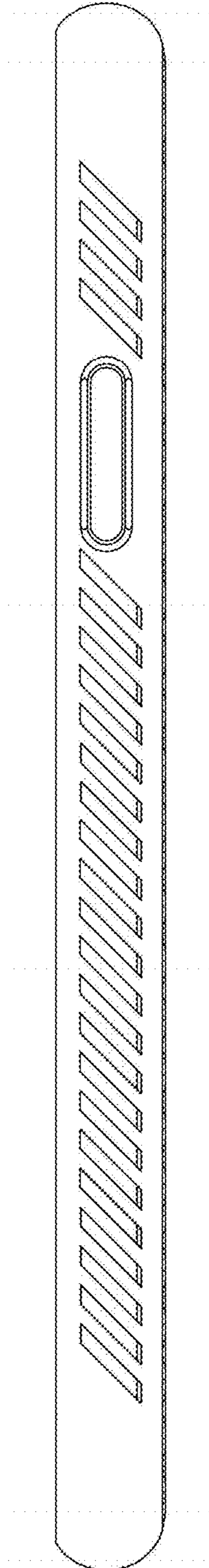


FIG. 7



FIG. 8

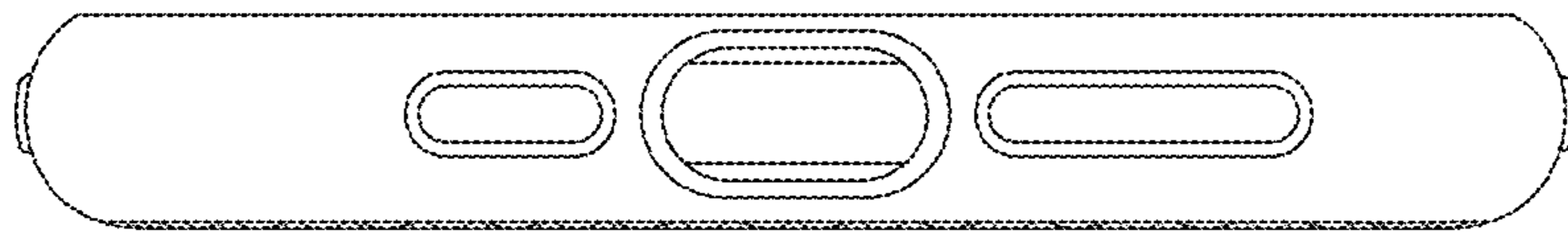


FIG. 9

