



US00D908677S

(12) **United States Design Patent** (10) **Patent No.:** **US D908,677 S**  
**Kim** (45) **Date of Patent:** **\*\* \*Jan. 26, 2021**

(54) **CASE FOR ELECTRONIC COMMUNICATIONS DEVICE**

(71) Applicant: **SPIGEN KOREA CO., LTD.**, Seoul (KR)

(72) Inventor: **Ji Hyun Kim**, Seoul (KR)

(73) Assignee: **SPIGEN KOREA CO., LTD.**, Seoul (KR)

(\*) Notice: This patent is subject to a terminal disclaimer.

(\*\*) Term: **15 Years**

(21) Appl. No.: **29/689,627**

(22) Filed: **Apr. 30, 2019**

(30) **Foreign Application Priority Data**

Oct. 31, 2018 (EM) ..... 005813821-0002

(51) **LOC (13) Cl.** ..... **14-03**

(52) **U.S. Cl.**  
USPC ..... **D14/250**

(58) **Field of Classification Search**  
USPC ..... D14/250, 203.3–203.7, 439, 238.1, 440, D14/251–253, 447, 217, 240, 248; D3/201, 218, 247, 269, 273, 301, 303; D13/103, 119, 107–108  
CPC ..... H04B 1/3888; H04M 1/0283; H04M 1/0202; A45C 1/06; A45C 11/00; A45C  
(Continued)

(56) **References Cited**

**U.S. PATENT DOCUMENTS**

D357,918 S \* 5/1995 Doria ..... D14/218  
D575,056 S 8/2008 Tan  
D606,305 S \* 12/2009 Lee ..... D3/269

(Continued)

**OTHER PUBLICATIONS**

“Spigen Rugged Armor Huawei P9 Lite Case with Resilient Shock Absorption and Carbon Fiber Design for Huawei P9 Lite—Black”, <https://www.amazon.com/B01DL0DJGM>, Earliest review date of Sep. 6, 2016, Downloaded on Jul. 18, 2018.

(Continued)

*Primary Examiner* — Carla J Wright

(74) *Attorney, Agent, or Firm* — Heedong Chae; Lucem, PC

(57) **CLAIM**

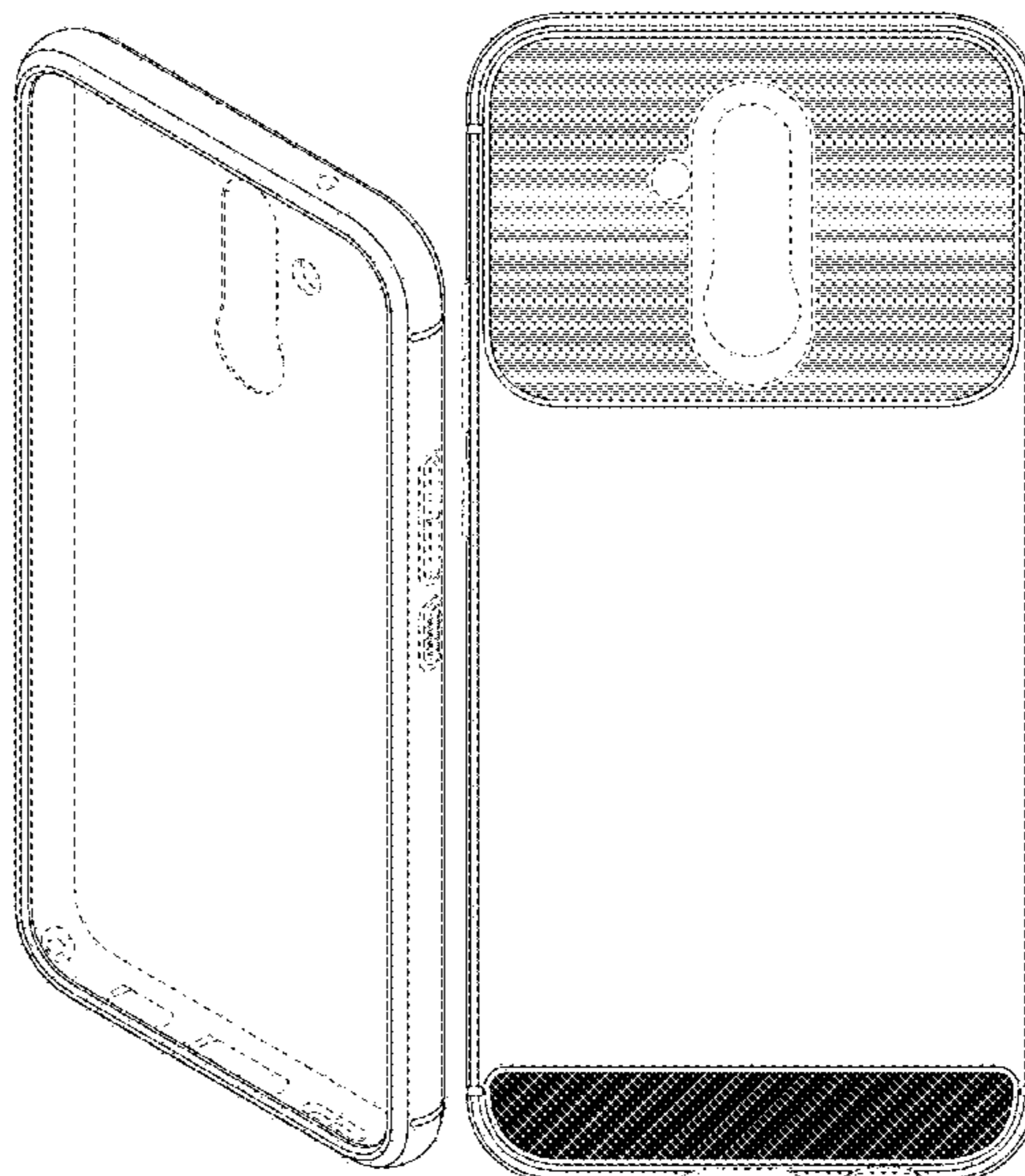
The ornamental design for a case for electronic communications device, as shown and described.

**DESCRIPTION**

FIG. 1 is a front perspective view of a case for electronic communications device showing my new design; FIG. 2 is a rear perspective view thereof; FIG. 3 is a front elevational view thereof; FIG. 4 is a rear elevational view thereof; FIG. 5 is a left side elevational view thereof; FIG. 6 is a right side elevational view thereof; FIG. 7 is a top plan view thereof; FIG. 8 is a bottom plan view thereof; FIG. 9 is an enlarged detail view of the upper encircled portion of FIG. 2; FIG. 10 is an enlarged detail view of the lower encircled portion of FIG. 2; and, FIG. 11 is an enlarged detail view of the encircled portion of FIG. 5.

The dot-dash broken line circles in FIGS. 2, 5, 9, 10, and 11 delineate portions of the case that are part of the claimed design and that are shown on an enlarged scale in FIGS. 9, 10, and 11. The dashed broken lines, regions bounded by dashed broken lines, and the interior of the case shown in FIGS. 1 and 3 form no part of the claimed design.

**1 Claim, 11 Drawing Sheets**



(58) **Field of Classification Search**  
 CPC ..... 13/02; A45C 2011/002; A45F 2005/026;  
 A45F 2200/0525; A45F 2200/0516  
 See application file for complete search history.

(56) **References Cited**

U.S. PATENT DOCUMENTS

D609,672 S 2/2010 Lee  
 D619,361 S 7/2010 Andre et al.  
 D632,685 S 2/2011 Richardson  
 D643,029 S 8/2011 Feng  
 D646,265 S 10/2011 Fathollahi  
 D648,332 S 11/2011 Kim et al.  
 D650,371 S 12/2011 Wibby  
 D654,485 S 2/2012 Chang et al.  
 D654,491 S 2/2012 Melanson et al.  
 D655,281 S 3/2012 Turocy  
 D655,287 S 3/2012 de Jong et al.  
 D657,782 S 4/2012 Biller  
 D663,297 S 7/2012 de Jong et al.  
 D664,133 S 7/2012 Zheng  
 D666,824 S \* 9/2012 Phillips ..... D3/303  
 D669,071 S 10/2012 Akana et al.  
 D671,930 S 12/2012 Akana et al.  
 D672,739 S \* 12/2012 Sin ..... D14/138 G  
 D673,547 S 1/2013 Melanson  
 D673,940 S \* 1/2013 Chang ..... D14/250  
 D674,369 S 1/2013 JaeWoong  
 D676,036 S 2/2013 Chang  
 D676,844 S 2/2013 Weller  
 D677,249 S 3/2013 Li  
 D678,328 S 3/2013 Lee et al.  
 D678,907 S 3/2013 Lee  
 D679,271 S 4/2013 Liu  
 D679,685 S 4/2013 Cox  
 D679,690 S 4/2013 Fahrenedorff et al.  
 D679,692 S 4/2013 Fahrenedorff et al.  
 D679,697 S 4/2013 Murchison  
 D679,698 S 4/2013 Murchison  
 D681,022 S 4/2013 Chang  
 D681,615 S 5/2013 Fathollahi  
 D681,617 S 5/2013 Weller et al.  
 D683,340 S 5/2013 Chang et al.  
 D683,723 S 6/2013 Murchison  
 D684,568 S 6/2013 Fitzgerald  
 D684,960 S 6/2013 Murchison  
 D685,357 S \* 7/2013 Rekuc ..... D14/250  
 D685,740 S \* 7/2013 Moore ..... D13/119  
 D685,776 S 7/2013 Bau  
 D687,425 S 8/2013 Fahrenedorff et al.  
 D691,122 S 10/2013 Bau  
 D691,124 S 10/2013 Yang  
 D691,601 S 10/2013 Murchison et al.  
 D692,418 S 10/2013 Fahrenedorff et al.  
 D697,905 S 1/2014 Chang  
 D698,767 S 2/2014 Son  
 D700,174 S 2/2014 Li  
 D703,652 S 4/2014 Melanson  
 D704,688 S 5/2014 Reivo  
 D706,254 S 6/2014 Chang  
 D712,386 S 9/2014 Lu  
 D714,273 S 9/2014 Kim et al.  
 D714,274 S 9/2014 Jung  
 D714,276 S 9/2014 Hu  
 D716,281 S 10/2014 Melanson et al.  
 D716,282 S 10/2014 Melanson et al.  
 D716,783 S \* 11/2014 Loncar ..... D14/250  
 D717,286 S 11/2014 Veldkamp  
 D717,774 S 11/2014 Fathollahi  
 D717,778 S 11/2014 Zermeno  
 D718,292 S 11/2014 Hemesath  
 D721,065 S 1/2015 Yoon  
 D721,067 S 1/2015 Su  
 D721,070 S 1/2015 Pickett  
 D721,693 S \* 1/2015 Lee ..... D14/250  
 D727,883 S 4/2015 Brand

D727,886 S 4/2015 Bertrand et al.  
 9,004,275 B2 4/2015 Lee  
 D731,472 S 6/2015 Lee  
 D731,481 S 6/2015 Akana et al.  
 D732,012 S 6/2015 Tsai  
 D734,747 S 7/2015 Seo et al.  
 9,143,181 B1 9/2015 Jia  
 D741,845 S 10/2015 Kim  
 D743,389 S 11/2015 Akana  
 D746,273 S 12/2015 Herbst  
 D746,274 S 12/2015 Herbst  
 D746,275 S 12/2015 Mohammad  
 9,223,346 B2 12/2015 Wilson  
 D748,614 S 2/2016 Ju  
 D749,068 S 2/2016 Zaborski et al.  
 D749,535 S 2/2016 Joung et al.  
 D749,555 S 2/2016 Poon et al.  
 D749,557 S 2/2016 Feng  
 9,247,795 B2 2/2016 Kim  
 D751,058 S 3/2016 Cocchia  
 9,288,295 B2 3/2016 Ivanovski  
 9,293,808 B1 3/2016 Roberts  
 D753,099 S 4/2016 Kim  
 D756,340 S 5/2016 Babichenko  
 D756,343 S 5/2016 Wall  
 D756,909 S 5/2016 Gupta  
 D756,910 S 5/2016 Gupta  
 D756,911 S 5/2016 Gupta  
 D757,699 S 5/2016 Lee  
 D761,239 S 7/2016 Kim  
 D762,205 S 7/2016 Dang  
 D763,241 S 8/2016 Kim  
 D763,242 S 8/2016 Kim  
 D763,837 S 8/2016 Choe et al.  
 D763,841 S 8/2016 Kim  
 D763,842 S 8/2016 Chang et al.  
 D764,476 S 8/2016 Gleason, III  
 D765,067 S 8/2016 Choe et al.  
 D765,627 S 9/2016 Watt  
 D765,635 S 9/2016 Chang et al.  
 D765,638 S 9/2016 Gaylord et al.  
 D765,640 S 9/2016 Bulkley et al.  
 D765,641 S 9/2016 Bulkley et al.  
 D765,642 S 9/2016 Bulkley  
 D765,644 S 9/2016 Witter  
 D765,645 S 9/2016 Kim  
 D767,485 S 9/2016 To et al.  
 D767,553 S 9/2016 Fathollahi  
 D770,434 S \* 11/2016 Choe ..... D14/250  
 D771,607 S 11/2016 Kim  
 D771,608 S 11/2016 Kim  
 D771,611 S 11/2016 Chang et al.  
 D772,209 S 11/2016 Kim  
 D772,854 S 11/2016 Igarashi  
 D772,858 S 11/2016 Hu  
 9,480,318 B2 11/2016 Stiehl  
 9,480,319 B2 11/2016 Dining et al.  
 D774,498 S 12/2016 Tao  
 D775,112 S 12/2016 Hemesath  
 D775,113 S \* 12/2016 Lim ..... D14/250  
 D775,614 S 1/2017 Kim  
 D776,647 S 1/2017 Kim  
 D777,157 S 1/2017 Kim  
 D777,160 S 1/2017 Kim  
 D777,717 S 1/2017 Kim  
 D779,470 S 2/2017 Kim  
 D781,835 S 3/2017 Kim et al.  
 D781,837 S 3/2017 Kim  
 D781,838 S \* 3/2017 Kim ..... D14/250  
 D781,840 S 3/2017 Kim et al.  
 D782,453 S \* 3/2017 Kim ..... D14/248  
 D782,457 S 3/2017 Park et al.  
 D783,602 S \* 4/2017 Akana ..... D14/341  
 D784,309 S 4/2017 Lee et al.  
 9,628,133 B2 4/2017 Kim  
 D785,615 S 5/2017 Kim et al.  
 D786,849 S 5/2017 Park et al.  
 D788,093 S 5/2017 Lee et al.  
 9,661,116 B1 5/2017 Chung



(56)

## References Cited

## U.S. PATENT DOCUMENTS

D792,394 S	7/2017	Lee et al.	
D795,237 S	8/2017	Jung et al.	
D797,715 S	9/2017	Kim	
D798,286 S	9/2017	Roberts et al.	
D801,325 S *	10/2017	Kim	D14/250
D810,064 S	2/2018	Kim	
D816,073 S *	4/2018	Kim	D14/250
D823,297 S *	7/2018	Kim	D14/250
D832,833 S *	11/2018	Kim	D14/250
D836,095 S *	12/2018	Kim	D14/250
D840,992 S	2/2019	Kim	
D844,555 S *	4/2019	McLean	D13/103
D853,371 S *	7/2019	Wei	D14/250
D853,372 S *	7/2019	Kim	D14/250
2011/0050606 A1	3/2011	Zhang	
2012/0217174 A1 *	8/2012	Ting	G06F 1/1628 206/45.2
2014/0357330 A1	12/2014	Lin	
2015/0053583 A1	2/2015	McCormick	
2015/0189963 A1	7/2015	Lai	
2016/0094263 A1 *	3/2016	Fathollahi	H04B 1/3888 455/575.8
2016/0101902 A1	4/2016	Kim	
2016/0204817 A1	7/2016	Kim	
2016/0285301 A1	9/2016	Kim	
2017/0123217 A1	5/2017	Dukerschein	

## OTHER PUBLICATIONS

“Spigen Rugged Armor iPhone 8 Case/iPhone 7 Case with Resilient Shock Absorption and Carbon Fiber Design for Apple iPhone 8 (2017)/iPhone 7 (2016)—Black”, <https://www.amazon.com/dp/B01GIVX7TA>, Earliest review date of Sep. 11, 2016, Downloaded on Jul. 17, 2018.

“Spigen Rugged Armor Designed for Apple iPhone Xs Case (2018)/Designed for Apple iPhone X Case (2017)—Matte Black”, <https://www.amazon.com/dp/B074CNF6YW>, Earliest review date of Sep. 28, 2017, Downloaded on Jan. 15, 2019.

“Spigen Rugged Armor iPhone X Case with Resilient Shock Absorption and Carbon Fiber Design for Apple iPhone X (2017)—Matte Black”, <https://www.amazon.com/dp/B074CNF6YW>, Earliest review date of Sep. 28, 2017, Downloaded on Jul. 17, 2018.

“Spigen Rugged Armor LG V30 with Resilient Shock Absorption and Carbon Fiber Design for LG V30 (2017)—Black”, <https://www.amazon.com/dp/B071JV1L9Z>, Earliest review date of Oct. 5, 2017, Downloaded on Jul. 17, 2018.

“Spigen Rugged Armor Google Pixel 2 Case with Resilient Shock Absorption and Carbon Fiber Design for Google Pixel 2 (2017)—Black”, <https://www.amazon.com/dp/B07471C38C>, Earliest review date of Oct. 10, 2017, Downloaded on Jan. 15, 2019.

“Spigen Rugged Armor Google Pixel 2 XL Case with Resilient Shock Absorption and Carbon Fiber Design for Google Pixel 2 XL (2017)—Black”, <https://www.amazon.com/dp/B07471C38C>, Earliest review date of Oct. 11, 2017, Downloaded on Jan. 15, 2019.

“Spigen Rugged Armor Moto X4 Case with Resilient Shock Absorption and Carbon Fiber Design for Moto X4—Black”, <https://www.amazon.com/dp/B072N3WT4J>, Earliest review date of Oct. 22, 2017, Downloaded on Jul. 17, 2018.

“Spigen Rugged Armor Galaxy A8 (2016) Case with Resilient Shock Absorption and Carbon Fiber Design for Galaxy A8 (2016)—Black”, <https://www.amazon.com/dp/B01M26EX8X>, Earliest review date of Oct. 25, 2017, Downloaded on Jul. 17, 2018.

“Caseology Vault for Apple iPhone 8 Case (2017)/for iPhone 7 Case (2016)—Rugged & Flexible—Matte Black”, <https://www.amazon.com/dp/B01JSZOJ7M>, Earliest review date of Sep. 10, 2016, Downloaded on Jan. 16, 2020.

“The best iPhone 7 & 7 Plus cases available now”, <https://9to5mac.com/2016/09/07/best-iphone-7-7-plus-cases-accessories-available-now/>, Earliest review date of Sep. 17, 2016, Downloaded on Mar. 18, 2020.

“Caseology Vault for Google Pixel Case (2016)—Rugged & Flexible—Black”, <https://www.amazon.com/dp/B01MEDIMGS>, Earliest review date of Nov. 10, 2016, Downloaded on Jan. 16, 2020.

“Caseology Vault for Apple iPhone 7 Plus Case (2016)—Rugged Matte Finish—Black”, <https://www.amazon.com/dp/B01N2OCQV4>, Earliest review date of Dec. 16, 2016, Downloaded on Jan. 16, 2020.

“Caseology Vault for LG G6 Case (2017)—Rugged Matte Finish—Black”, <https://www.amazon.com/dp/B06W52JLH>, Earliest review date of Mar. 28, 2017, Downloaded on Jan. 16, 2020.

“Caseology Nero Tough for iPhone 8 Plus Case (2017)/iPhone 7 Plus Case (2016)—360 Protection—Black”, <https://www.amazon.com/dp/B07534JMM2>, Earliest review date of Aug. 23, 2017, Downloaded on Nov. 19, 2019.

“Spigen Rugged Armor Galaxy S6 Case with Resilient Shock Absorption and Carbon Fiber Design for Galaxy S6 2015—Black”, <https://www.amazon.com/dp/B00T6P05ZK>, Earliest review date of Mar. 10, 2015, Downloaded on Jul. 17, 2018.

“Spigen Rugged Armor Galaxy S6 Edge Case with Flexible and Durable Shock Absorption with Carbon Fiber Design for Samsung Galaxy S6 Edge (2015)—Black”, <https://www.amazon.com/dp/B00SVCITW0>, Earliest review date of Mar. 13, 2015, Downloaded on Jul. 17, 2018.

“Spigen Rugged Armor Galaxy Note 5 Case with Resilient Shock Absorption and Carbon Fiber Design for Galaxy Note 5 2015—Black”, <https://www.amazon.com/dp/B010MWFUBY>, Earliest review date of Aug. 23, 2015, Downloaded on Jul. 17, 2018.

“Spigen Rugged Armor iPhone 6S Case with Resilient Shock Absorption and Carbon Fiber Design for iPhone 6S/iPhone 6—Black”, <https://www.amazon.com/dp/B010MVJM5K>, Earliest review date of Sep. 3, 2015, Downloaded on Jul. 17, 2018.

“Spigen Rugged Armor iPhone 6S Plus Case with Resilient Shock Absorption and Carbon Fiber Design for iPhone 6S Plus 2015—Black”, <https://www.amazon.com/dp/B010MVR76Q>, Earliest review date of Sep. 7, 2015, Downloaded on Jul. 17, 2018.

“Spigen Tough Armor Tech iPhone 6S Case with Extreme Shock and Drop Protection for Apple iPhone 6/6S Gunmetal”, <https://www.amazon.com/Spigen-Tough-iPhone-Extreme-Protection/dp/B013TKNSIS>, Earliest review date of Oct. 3, 2015, Downloaded on Jan. 15, 2019.

“Spigen Rugged Armor Samsung Galaxy S7 Case with Resilient Shock Absorption and Carbon Fiber Design for Samsung Galaxy S7 2016—Black”, <https://www.amazon.com/Spigen-Rugged-Designed-Samsung-Galaxy/dp/B01A7ICWTQ>, Earliest review date of Feb. 25, 2016, Downloaded on Jul. 17, 2018.

“Spigen Rugged Armor Galaxy S7 Edge Case with Flexible and Durable Shock Absorption with Carbon Fiber Design for Samsung Galaxy S7 Edge (2016)—Black”, <https://www.amazon.com/Spigen-Rugged-Designed-Samsung-Galaxy/dp/B01A7IDHOU>, Earliest review date of Feb. 28, 2016, Downloaded on Jul. 17, 2018.

“Spigen Rugged Armor Galaxy A5 Case with Resilient Shock Absorption and Carbon Fiber Design for Galaxy A5 Black”, <https://www.amazon.com/Spigen-Rugged-Designed-Samsung-Galaxy/dp/B018J07A46>, Earliest review date of Mar. 18, 2016, Downloaded on Jul. 17, 2018.

“Spigen Rugged Armor iPhone Se Case with Resilient Shock Absorption and Carbon Fiber Design for iPhone Se 2016—Black”, <https://www.amazon.com/Spigen-Rugged-iPhone-Resilient-Absorption/dp/B01BEDNUDK>, Earliest review date of Apr. 10, 2016, Downloaded on Jan. 15, 2019.

“Spigen Rugged Armor Honor 5X Case with Resilient Shock Absorption and Carbon Fiber Design for Huawei Honor 5X—Black”, <https://www.amazon.com/Spigen-Rugged-Resilient-Absorption-Carbon/dp/B01DJHDXD2>, Earliest review date of May 1, 2016, Downloaded on Jan. 15, 2019.

“Spigen Rugged Armor HTC 10 Case with Resilient Shock Absorption and Carbon Fiber Design for HTC 10 2016—Black”, <https://www.amazon.com/dp/B01DAN1T4E>, Earliest review date of May 4, 2016, Downloaded on Jul. 18, 2018.

“Spigen Rugged Armor OnePlus 3 Case/OnePlus 3T Case with Resilient Shock Absorption and Carbon Fiber Design for OnePlus 3 2016—Black”, <https://www.amazon.com/dp/B01H3PEWDK>, Earliest review date of Jul. 28, 2016, Downloaded on Jul. 17, 2018.



(56)

## References Cited

## OTHER PUBLICATIONS

“Spigen Rugged Armor iPhone 8 Case/iPhone 7 Case with Resilient Shock Absorption and Carbon Fiber Design for Apple iPhone 8 (2017)/iPhone 7 (2016)—Black”, <https://www.amazon.co.uk/Spigen-Rugged-iPhone-Resilient-Absorption/dp/B01GIVX7TA>, Earliest review date of Aug. 2, 2016, downloaded on Oct. 24, 2018.

“Spigen Rugged Armor iPhone 8 Plus/iPhone 7 Plus Case with Resilient Shock Absorption and Carbon Fiber Design for Apple iPhone 8 Plus (2017)/iPhone 7 Plus (2016)—Black”, <https://www.amazon.com/dp/B01GIWGAAC>, Earliest review date of Sep. 2, 2016, Downloaded on Jul. 17, 2018.

“Spigen Rugged Armor Designed for Google Pixel XL Case (2016)—Black”, <https://www.amazon.com/dp/B01M1EEXWJ>, Earliest review date of Sep. 14, 2016, Downloaded on Sep. 3, 2020.

“Caseology Vault for iPhone Xs Case (2018)/iPhone X Case (2017)—Rugged Matte Finish—Black”, <https://www.amazon.com/dp/B07533BBZ4>, Earliest review date of Sep. 19, 2017, Downloaded on Sep. 3, 2020.

“Spigen Rugged Armor Google Pixel XL Case with Resilient Shock Absorption and Carbon Fiber Design for Google Pixel XL 2016—Black”, <https://www.amazon.com/dp/B01M1EEXWJ>, Earliest review date of Oct. 2, 2016, Downloaded on Jul. 17, 2018.

“Spigen Rugged Armor LG V20 Case with Resilient Shock Absorption and Carbon Fiber Design for LG V20 2016 Black”, <https://www.amazon.com/dp/B01MOHW9P4>, Earliest review date of Oct. 19, 2016, Downloaded on Jul. 18, 2018.

“Spigen Rugged Armor Honor 8 Case with Resilient Shock Absorption for Huawei Honor 8 2016—Black”, <https://www.amazon.com/dp/B01LXTROW1>, Earliest review date of Oct. 20, 2016, Downloaded on Jul. 18, 2018.

“Spigen Rugged Armor Moto Z Droid Case with Resilient Shock Absorption and Carbon Fiber Design for Moto Z Droid 2016—Black”, <https://www.amazon.com/dp/B01HCAOMBQ>, Earliest review date of Dec. 9, 2016, Downloaded on Jul. 17, 2018.

“Spigen Rugged Armor Galaxy A3 2016 Case with Resilient Shock Absorption and Carbon Fiber Design for Galaxy A3 2016—Black”, <https://www.amazon.com/Spigen-Rugged-Armor-Samsung-Galaxy/dp/B01HFMYLIC>, Earliest review date of Dec. 18, 2016, Downloaded on Jul. 17, 2018.

“Spigen Rugged Armor ZenFone 3 Max Case (ZC520TL) with Resilient Shock Absorption and Carbon Fiber Design for ASUS ZenFone 3 Max (ZC520TL)—Black”, <https://www.amazon.com/dp/B01MSDJ07C>, Earliest review date of Mar. 3, 2017, Downloaded on Jul. 18, 2018.

“Spigen Rugged Armor Extra Designed for LG G6 Case (2017)/Designed for LG G6 Plus (2017)—Black”, <https://www.amazon.com/Spigen-Rugged-Resilient-Absorption-Carbon/dp/B01N6T9PHS>, Earliest review date of Mar. 28, 2017, Downloaded on Jan. 9, 2020.

“Spigen Rugged Armor LG G6 Case/G6 Plus Case with Resilient Shock Absorption and Carbon Fiber Design for LG 36/G6 Plus (2017)—Black”, <https://www.amazon.com/dp/B01MUCZILA>, Earliest review date of Mar. 30, 2017, Downloaded on Jul. 18, 2018.

“Spigen Rugged Armor Galaxy S8 Plus Case with Resilient Shock Absorption and Carbon Fiber Design for Galaxy S8 Plus (2017)—Black”, <https://www.amazon.com/Spigen-Rugged-Designed-Samsung-Galaxy/dp/B06XNW4ZVJ>, Earliest review date of Apr. 3, 2017, Downloaded on Jul. 17, 2018.

“Spigen Rugged Armor Galaxy S8 Case with Resilient Shock Absorption and Carbon Fiber Design for Samsung Galaxy S8 (2017)—Black”, <https://www.amazon.com/Spigen-Rugged-Designed-Samsung-Galaxy/dp/B06XNNJ4KM>, Earliest review date of Apr. 7, 2017, Downloaded on Jul. 17, 2018.

Spigen, “Spigen Rugged Armor Extra”, <https://www.youtube.com/watch?v=ILUEjn1P2hk>, Published May 26, 2017, downloaded on Jan. 9, 2020.

“Spigen Rugged Armor Huawei P10 Plus Case with Resilient Shock Absorption and Carbon Fiber Design for Huawei P10 Plus(2017)—

Rugged Armor”, <https://www.amazon.com/dp/B06XFZW779>, Earliest review date of May 26, 2017, Downloaded on Jul. 18, 2018. “Spigen Rugged Armor Galaxy J7 2017 Case, J7 Prime, J7 2017(At &T), J7 Sky Pro, J7 Perx case with Resilient Shock Absorption and Carbon Fiber Design for Samsung Galaxy J7 V 2017—Black”, <https://www.amazon.com/Spigen-Rugged-Resilient-Absorption-Samsung/dp/B06WRRF36B>, Earliest review date of May 31, 2017, Downloaded on Jan. 15, 2019.

“Spigen Rugged Armor Huawei P10 Lite Case with Resilient Shock Absorption and Carbon Fiber Design for Huawei P10 Lite (2017)—Black”, <https://www.amazon.com/dp/B06XCNQ3S4>, Earliest review date of Jun. 7, 2017, Downloaded on Jul. 18, 2018.

“Spigen Rugged Armor Huawei P10 Case with Resilient Shock Absorption and Carbon Fiber Design for Huawei P10 (2017)—Black”, <https://www.amazon.com/dp/B06XCTQR1W>, Earliest review date of Jun. 8, 2017, Downloaded on Jul. 18, 2018.

“Spigen Rugged Armor HTC U11 Case with Resilient Shock Absorption and Carbon Fiber Design for HTC U 11 (2017)—Black”, <https://www.amazon.com/dp/B07234FLGX>, Earliest review date of Jun. 17, 2017, Downloaded on Jul. 18, 2018.

“Spigen Rugged Armor Huawei P8 Lite 2017 Case with Resilient Shock Absorption and Carbon Fiber Design for Huawei P8 Lite (2017)/nova lite/P9 lite 2017/Honor 8 lite—Black”, <https://www.amazon.com/dp/B06XFVXMLN>, Earliest review date of Jun. 24, 2017, Downloaded on Jul. 18, 2018.

“Spigen Rugged Armor Extra Galaxy Temp Case with Resilient Shock Absorption and Carbon Fiber Design for Galaxy Temp (2017)—Black”, <https://www.amazon.com/Spigen-Rugged-Galaxy-Resilient-Absorption/dp/B01MTEQVNB>, Earliest review date of Jul. 6, 2017, downloaded on Jan. 9, 2020.

“Spigen Rugged Armor Sony Xperia XZ Premium Case with Resilient Shock Absorption and Carbon Fiber Design for Sony Xperia XZ Premium (2017)—Black”, <https://www.amazon.com/dp/B072PRXPQC>, Earliest review date of Jul. 14, 2017, Downloaded on Jul. 18, 2018.

“Spigen Rugged Armor OnePlus 5 Case with Resilient Shock Absorption and Carbon Fiber Design for OnePlus 5 (2017)—Black”, <https://www.amazon.com/dp/B06XG19W3G>, Earliest review date of Jul. 25, 2017, Downloaded on Jul. 17, 2018.

“Spigen Rugged Armor Moto Z2 Play Case with Resilient Shock Absorption and Carbon Fiber Design for Moto Z2 Play—Black”, <https://www.amazon.com/dp/B071WR4H9V>, Earliest review date of Jul. 27, 2017, Downloaded on Jul. 17, 2018.

“Spigen Rugged Armor Galaxy Note 8 Case with Resilient Shock Absorption and Carbon Fiber Design for Galaxy Note 3 (2017)—Matte Black”, <https://www.amazon.com/Spigen-Rugged-Galaxy-Resilient-Absorptionidp/B073RWJ6Z7>, Earliest review date of Aug. 26, 2017, Downloaded on Jan. 15, 2019.

“Spigen Rugged Armor Galaxy Note 8 Case with Resilient Shock Absorption and Carbon Fiber Design for Galaxy Note 3 (2017)—Matte Black”, <https://www.amazon.com/Spigen-Rugged-Designed-Samsung-Galaxy/dp/B073RWJ6Z7>, Earliest review date of Aug. 26, 2017, Downloaded on Jul. 17, 2018.

“Spigen Rugged Armor Moto E4 Case with Resilient Shock Absorption and Carbon Fiber Design for Moto E4 (2017)—Black”, <https://www.amazon.com/Spigen-Rugged-Armor-Designed-Motorola/dp/B073RVC6YY>, Earliest review date of Sep. 5, 2017, Downloaded on Jul. 17, 2018.

“Spigen Rugged Armor Extra Designed for Apple iPhone 7 Case (2016)—Black”, <https://www.amazon.com/Spigen-Rugged-iPhone-Resilient-Absorption/dp/B06XC8WL7P>, Earliest review date of Sep. 7, 2017, downloaded on Jan. 9, 2020.

“Spigen Rugged Armor Huawei P8 Lite Case with Resilient Shock Absorption and Carbon Fiber Design for Huawei P8 Lite (2015)—Black”, <https://www.amazon.com/dp/B01DL0DME6>, Earliest review date of Jun. 11, 2016, Downloaded on Oct. 22, 2020.

“Spigen Rugged Armor Moto Z2 Force Case with Resilient Shock Absorption and Carbon Fiber Design for Moto Z2 Force (2017)—Black”, <https://www.amazon.com/dp/B074BCC6K7>, Earliest review date of Sep. 23, 2017, Downloaded on Oct. 22, 2020.

\* cited by examiner



FIG. 1

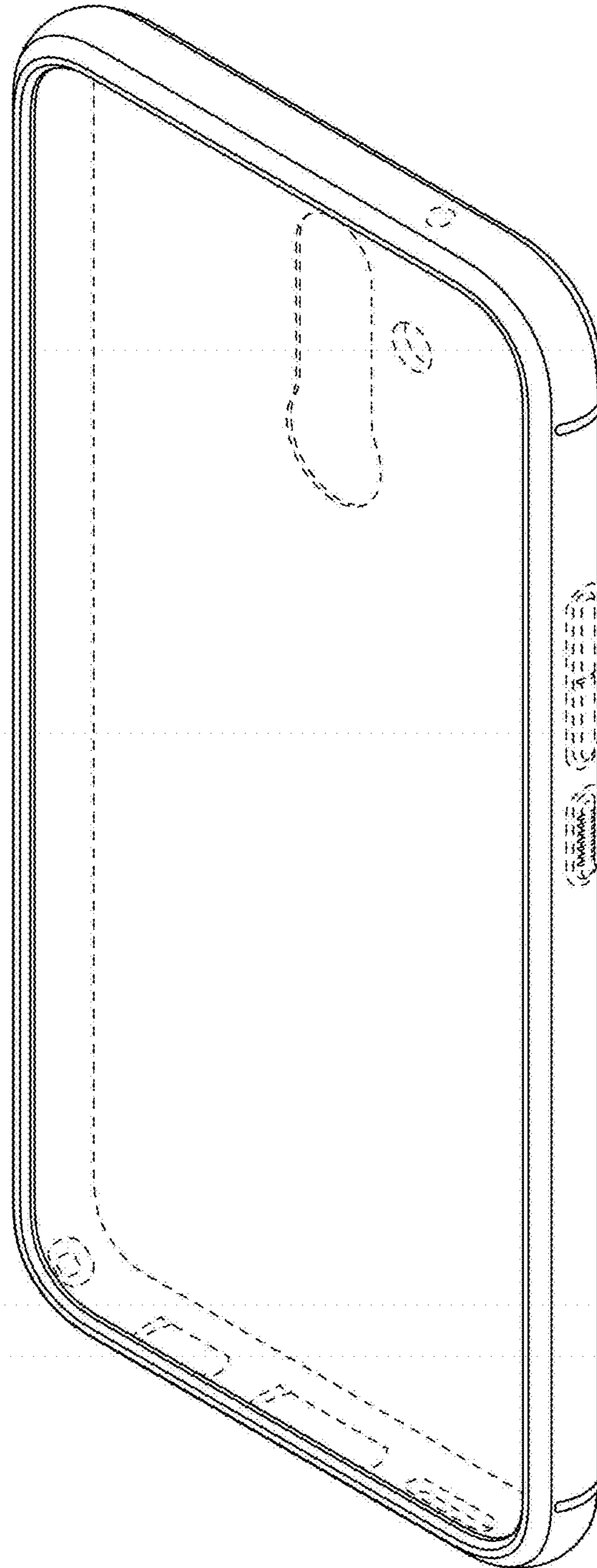


FIG. 2

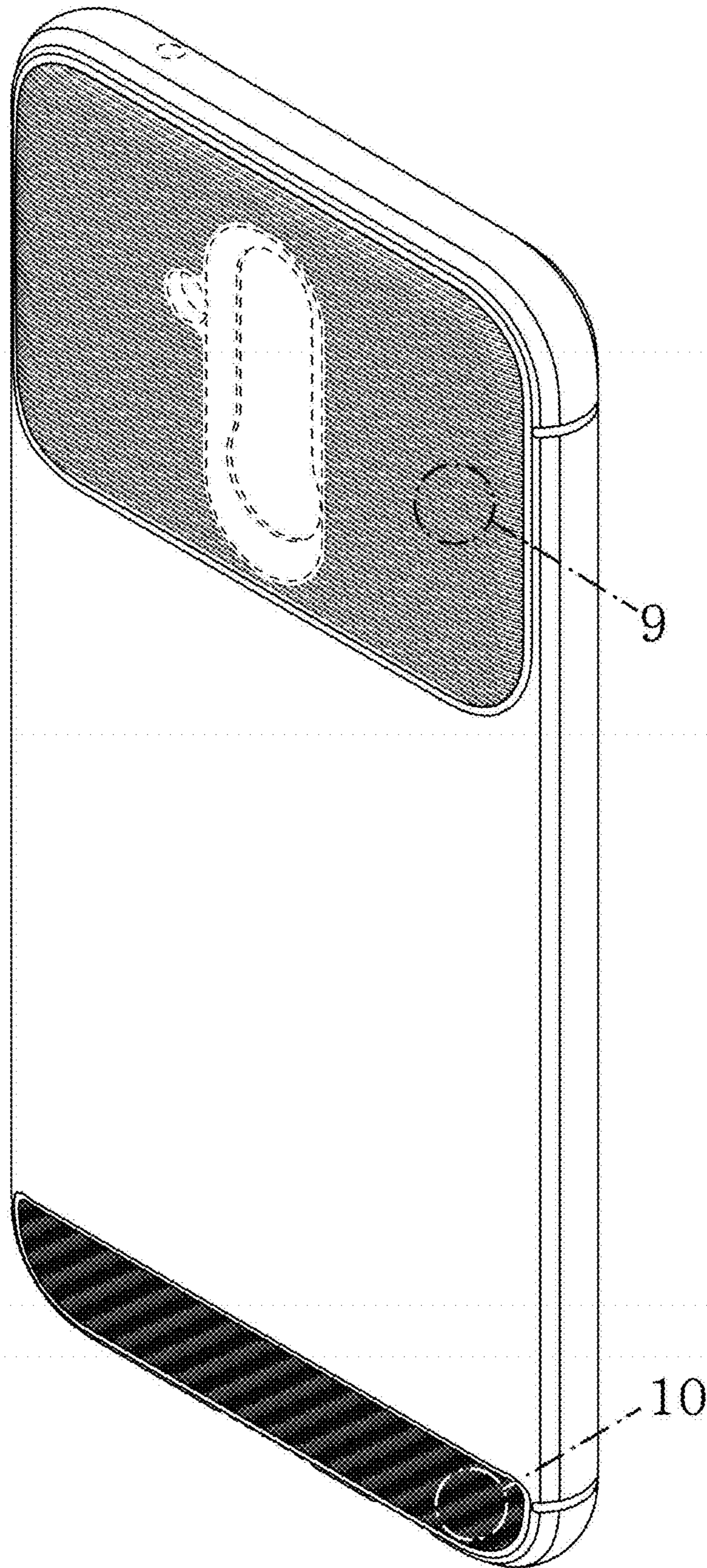


FIG. 3

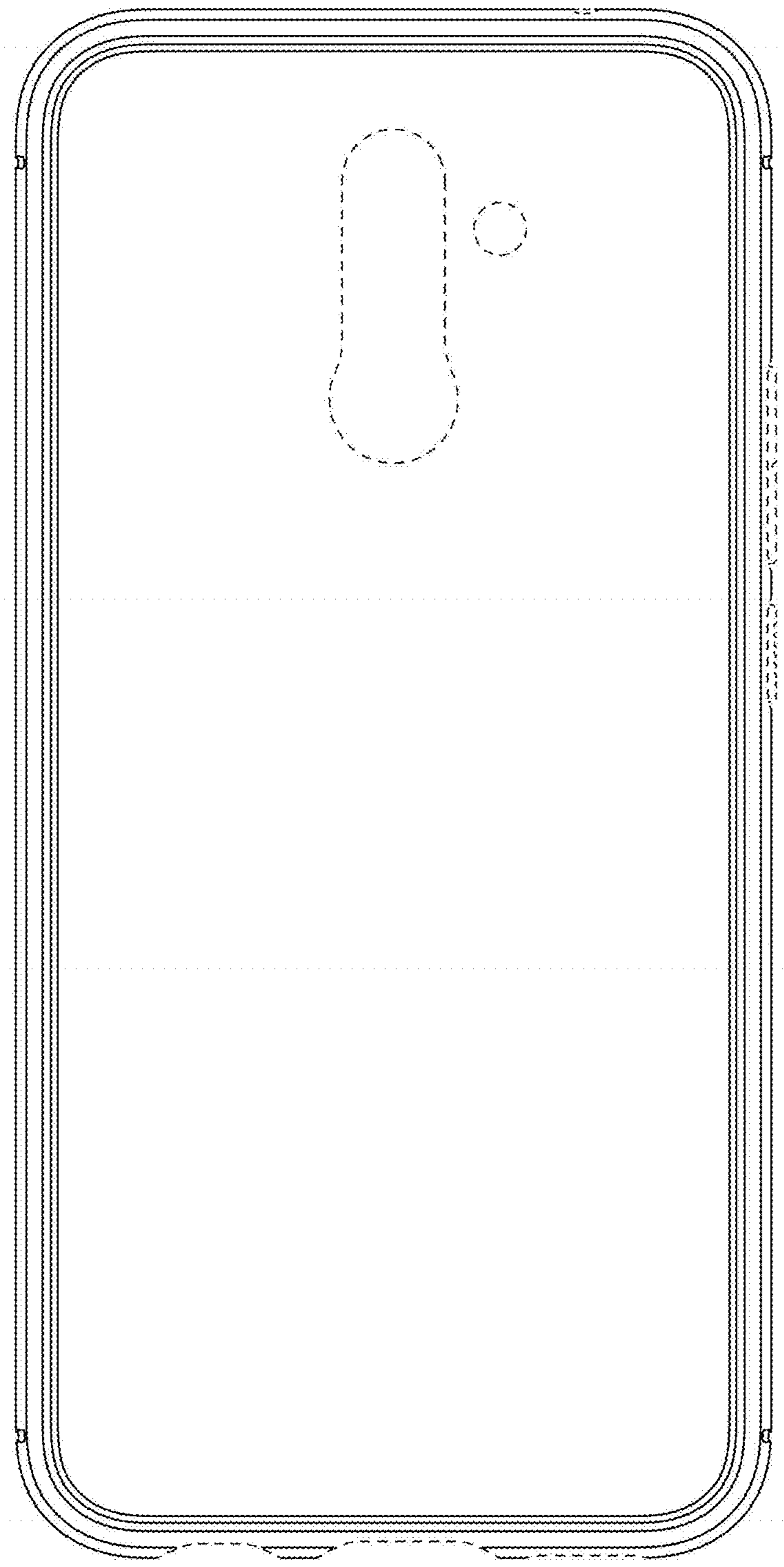




FIG. 4

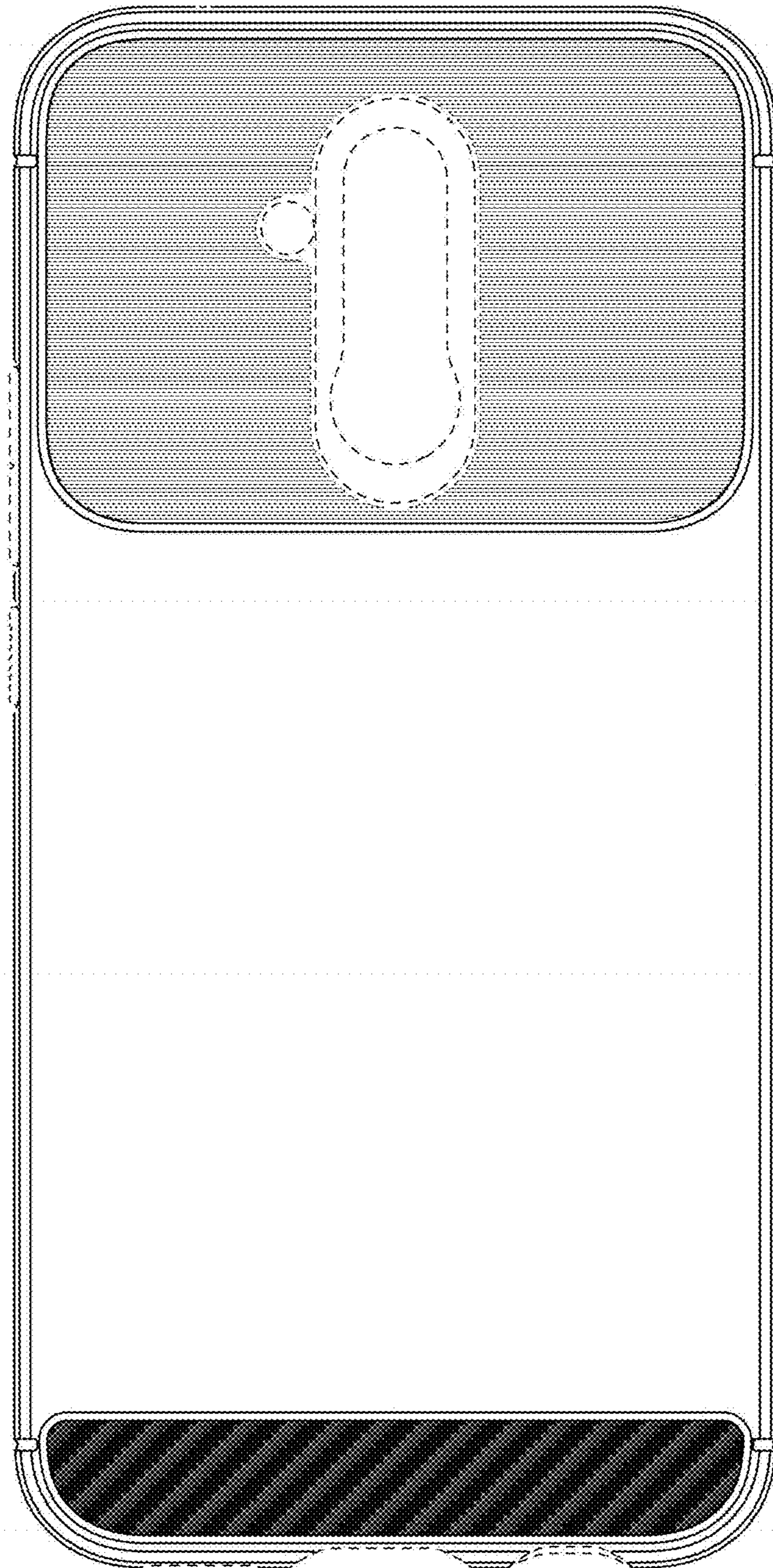




FIG. 5

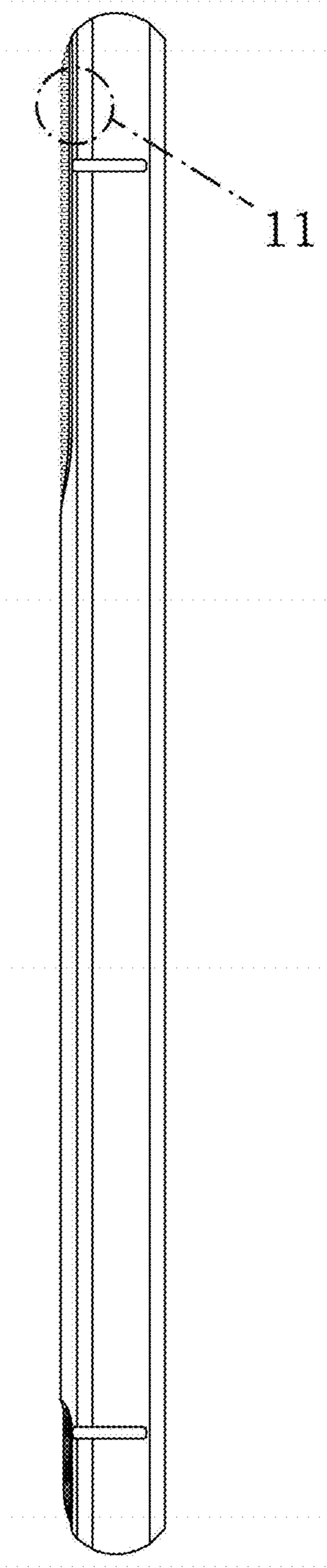


FIG. 6

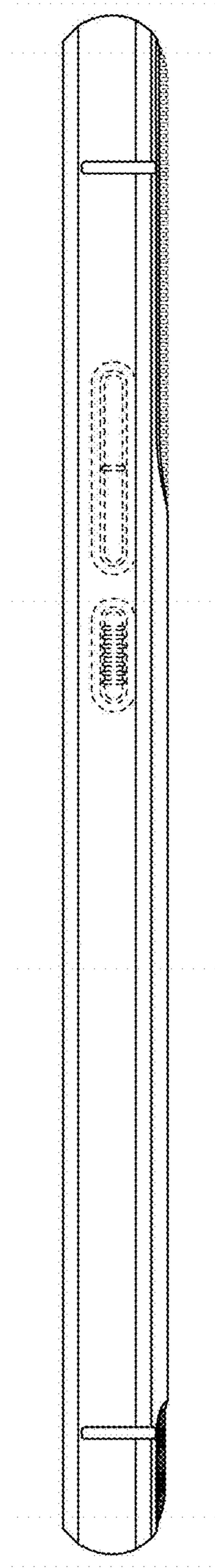




FIG. 7

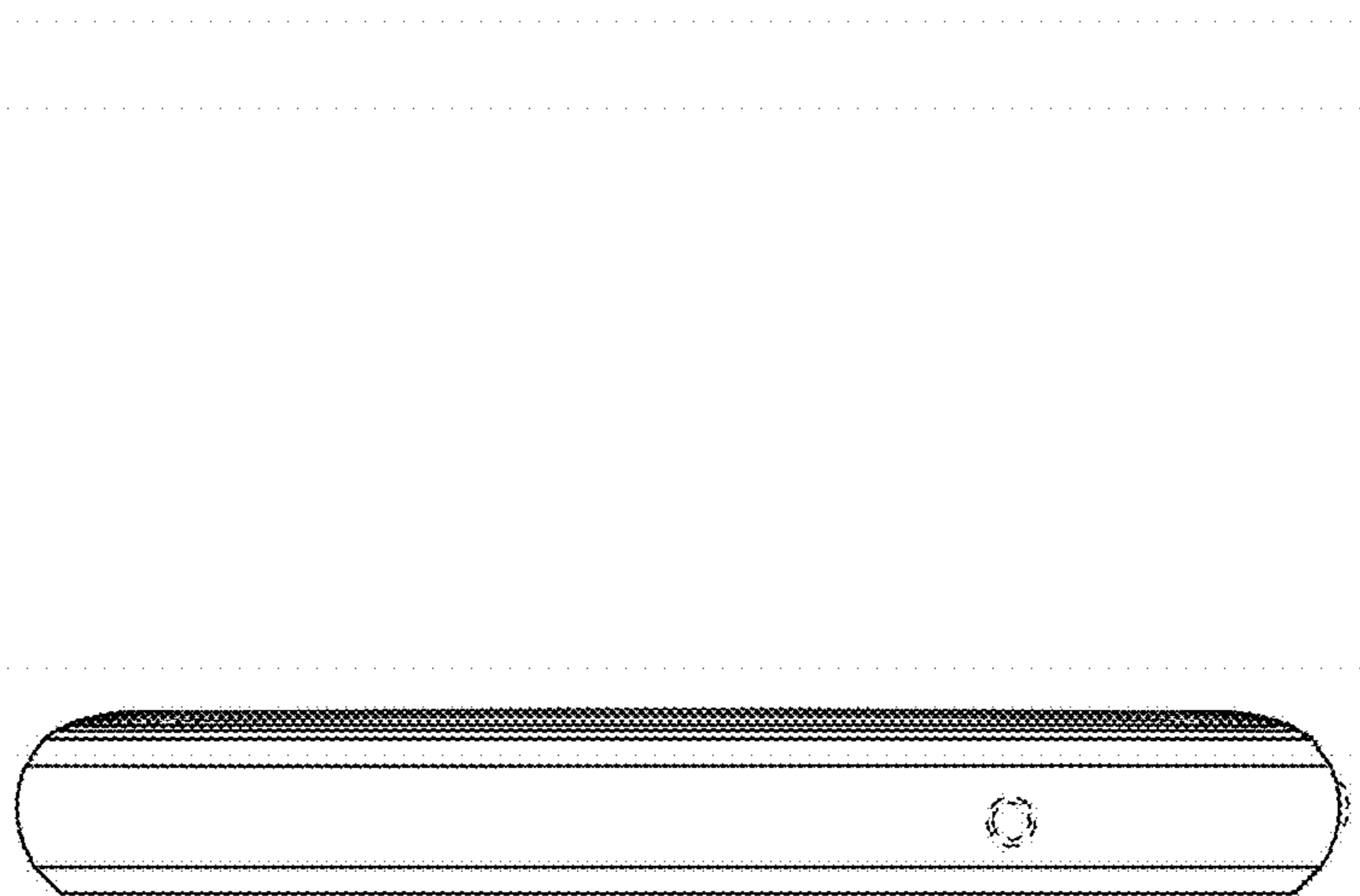


FIG. 8

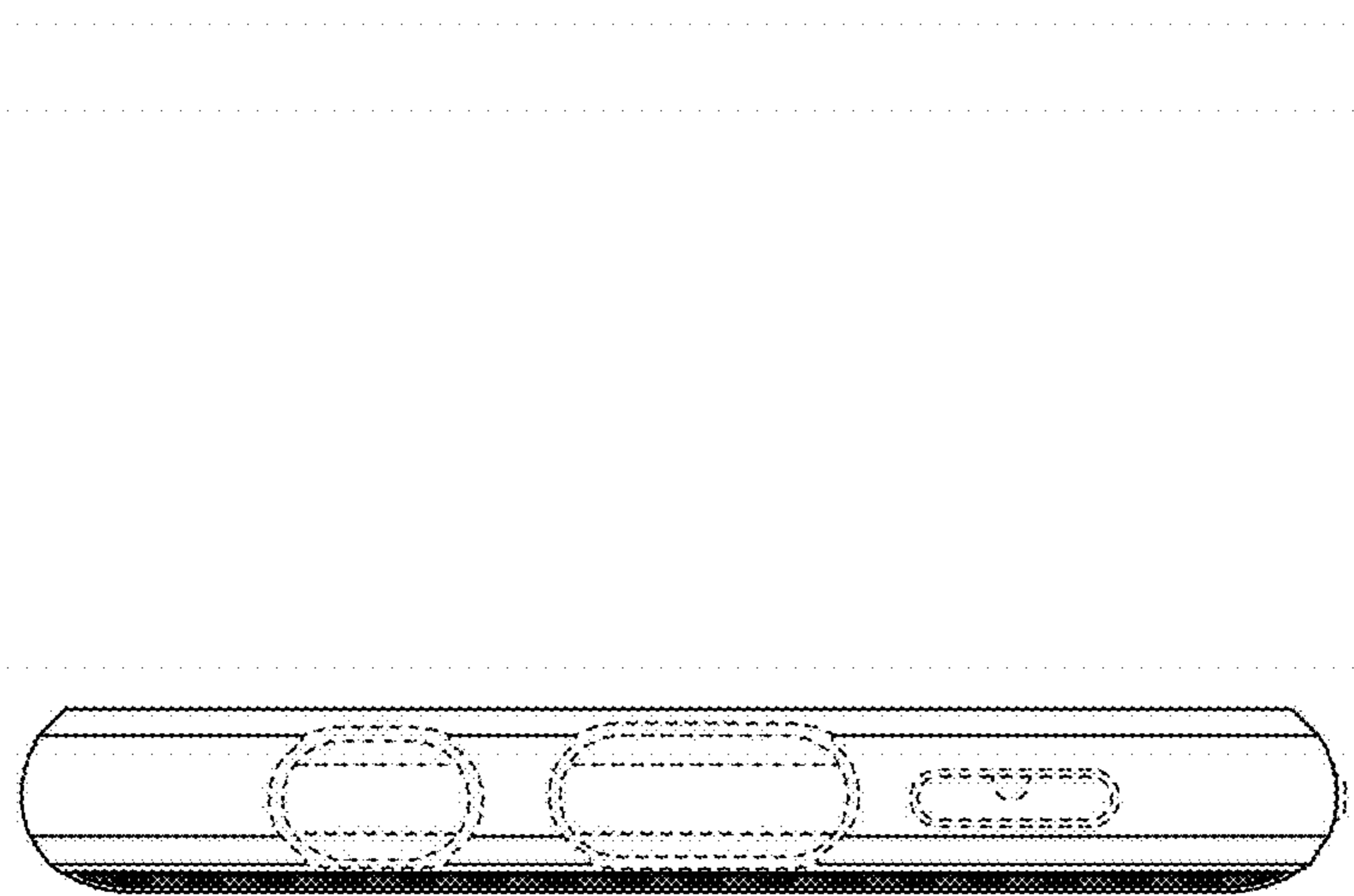




FIG. 9

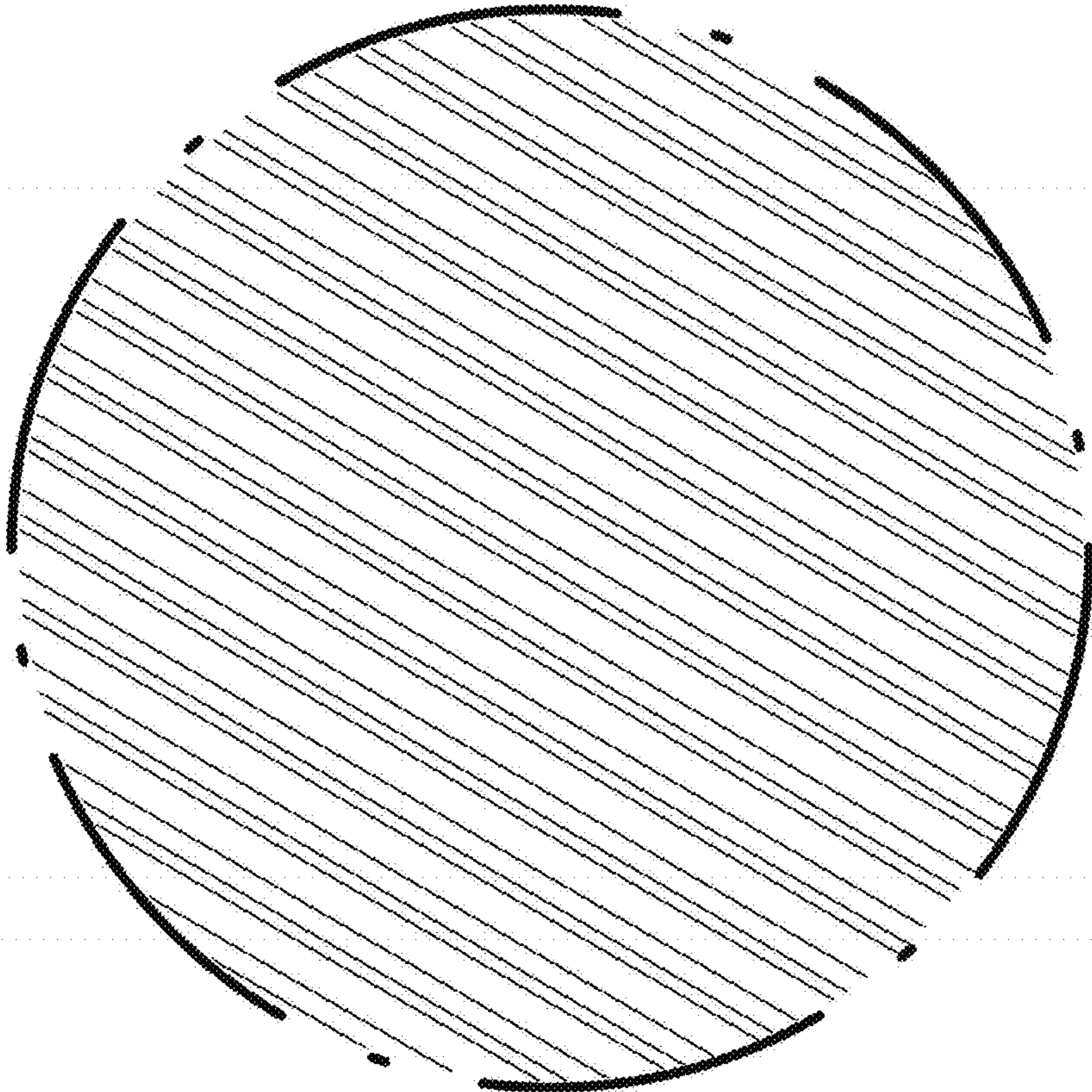


FIG. 10

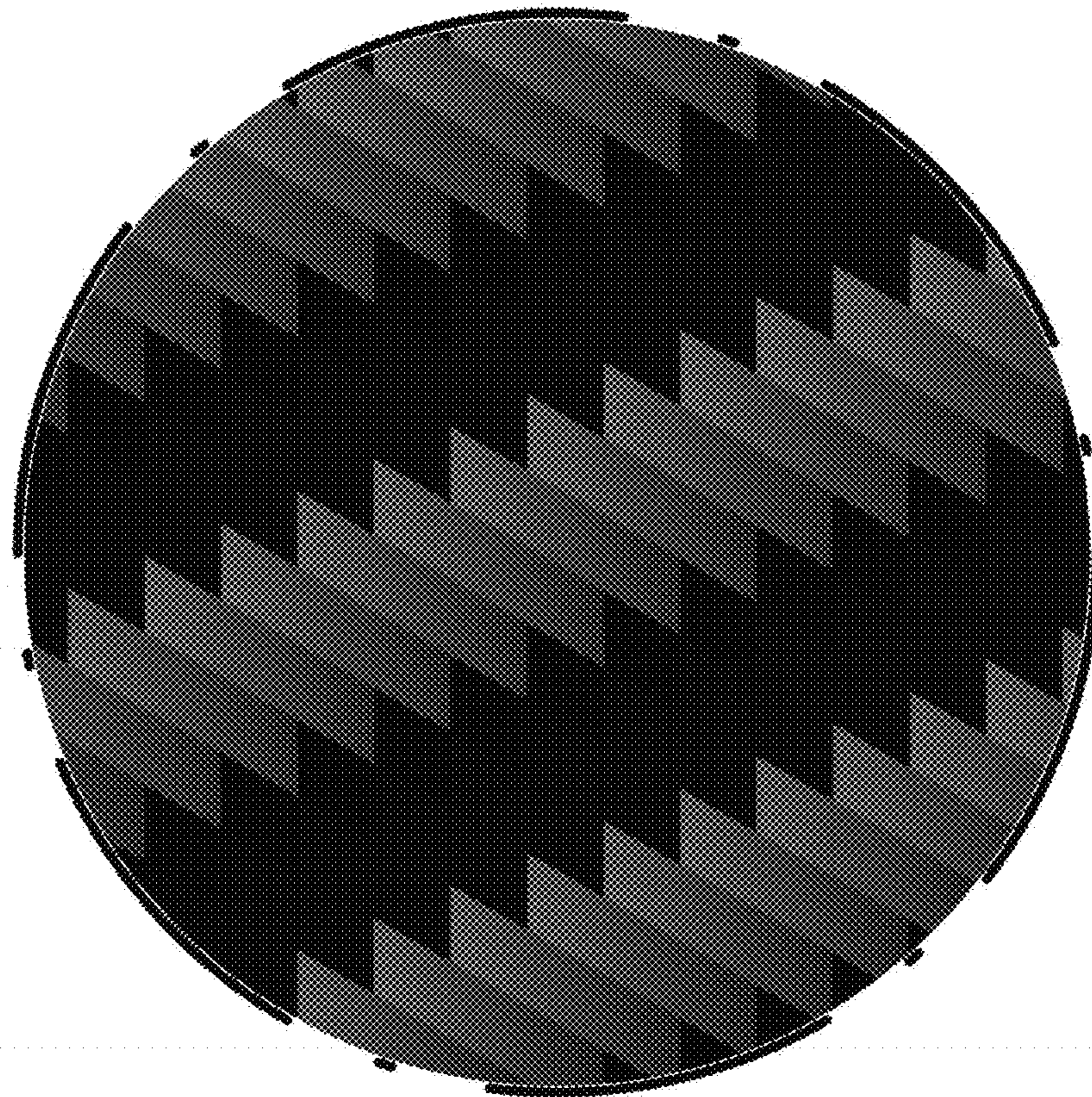




FIG. 11

