



US00D908669S

(12) **United States Design Patent**  
**Marti et al.**

(10) **Patent No.:** **US D908,669 S**

(45) **Date of Patent:** **\*\* Jan. 26, 2021**

(54) **TELECOM ROUTER**

(71) Applicant: **NetModule AG**, Bern (CH)

(72) Inventors: **Christoph Marti**, Switzerland (CH);  
**Pascal Schnell**, Switzerland (CH)

(73) Assignee: **NETMODULE AG**, Bern (CH)

(\*\*) Term: **15 Years**

(21) Appl. No.: **29/683,128**

(22) Filed: **Mar. 11, 2019**

(30) **Foreign Application Priority Data**

Jan. 25, 2019 (WO) ..... WIPO79648

(51) **LOC (13) Cl.** ..... **14-03**

(52) **U.S. Cl.**  
USPC ..... **D14/240**

(58) **Field of Classification Search**  
USPC ..... D14/240, 242, 357, 358, 155, 125, 126,  
D14/137, 139, 243, 348, 349, 351, 354,  
D14/355

CPC . H04L 12/66; H04L 63/0853; H04L 63/0272;  
H04L 63/083; H04L 63/105; H05K 7/20;  
H05K 7/20154

See application file for complete search history.

(56) **References Cited**

**U.S. PATENT DOCUMENTS**

D289,648 S \* 5/1987 Felix ..... D14/242  
D330,704 S \* 11/1992 Wagner ..... D13/147  
D480,696 S \* 10/2003 Escorcia ..... D14/137  
D485,830 S \* 1/2004 Chen ..... D14/240

D642,167 S \* 7/2011 Brandt ..... D14/240  
D836,092 S \* 12/2018 Erbacher ..... D14/242  
D854,522 S \* 7/2019 Wild ..... D14/240

\* cited by examiner

*Primary Examiner* — Bridget L Eland

(74) *Attorney, Agent, or Firm* — Fross, Zelnick, Lehrman  
& Zissu, PC; Charles T. J. Weigell, Esq.

(57) **CLAIM**

The ornamental design for a telecom router, as shown and described.

**DESCRIPTION**

FIG. 1 is a top perspective view of a telecom router showing our new design;

FIG. 2 is a front view thereof;

FIG. 3 is a back view thereof;

FIG. 4 is a left side view thereof;

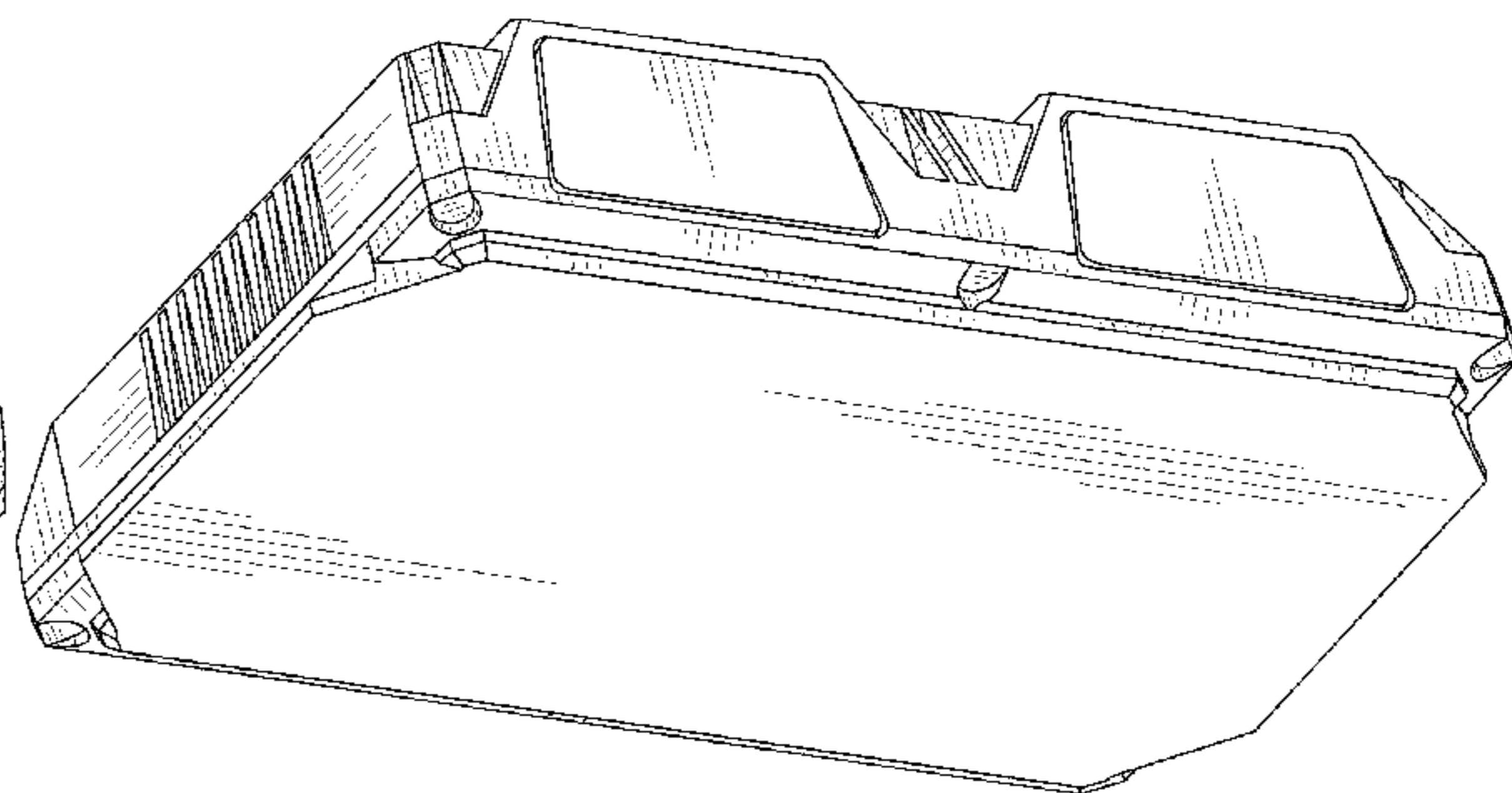
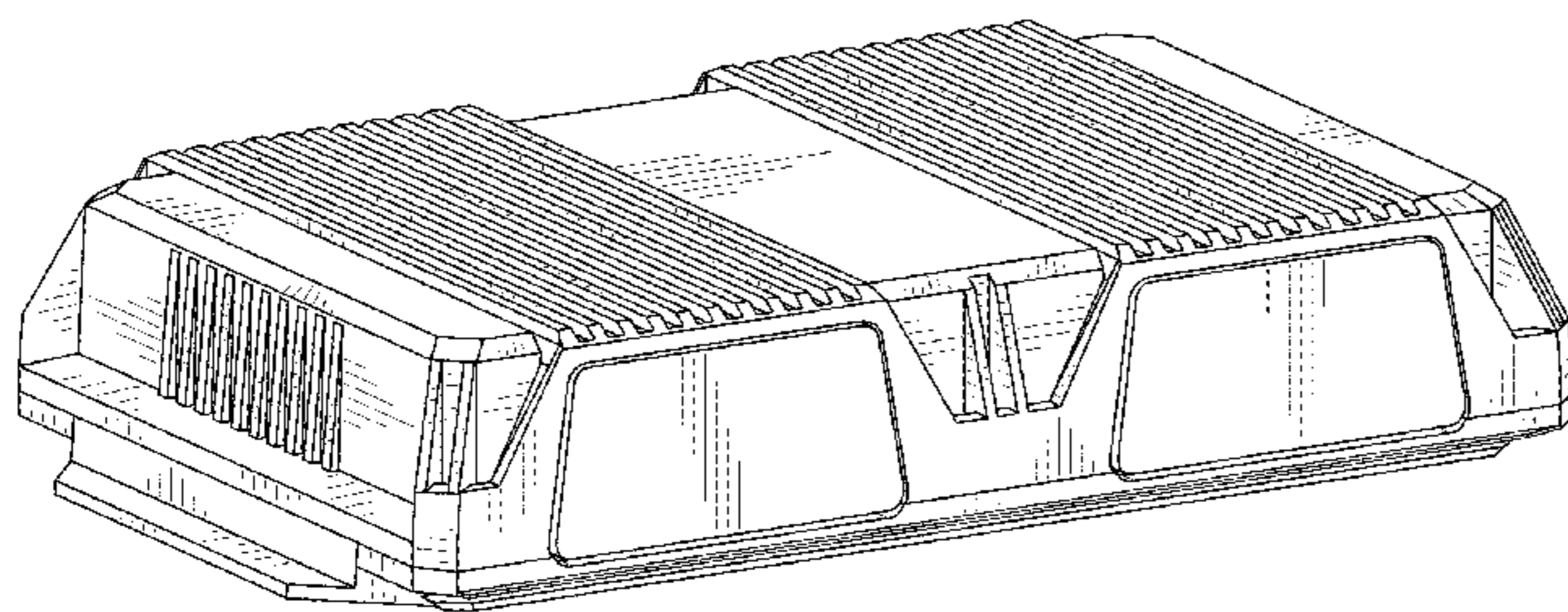
FIG. 5 is a right side view thereof;

FIG. 6 is a top view thereof;

FIG. 7 is a bottom view thereof; and,

FIG. 8 is a bottom perspective view thereof.

**1 Claim, 8 Drawing Sheets**



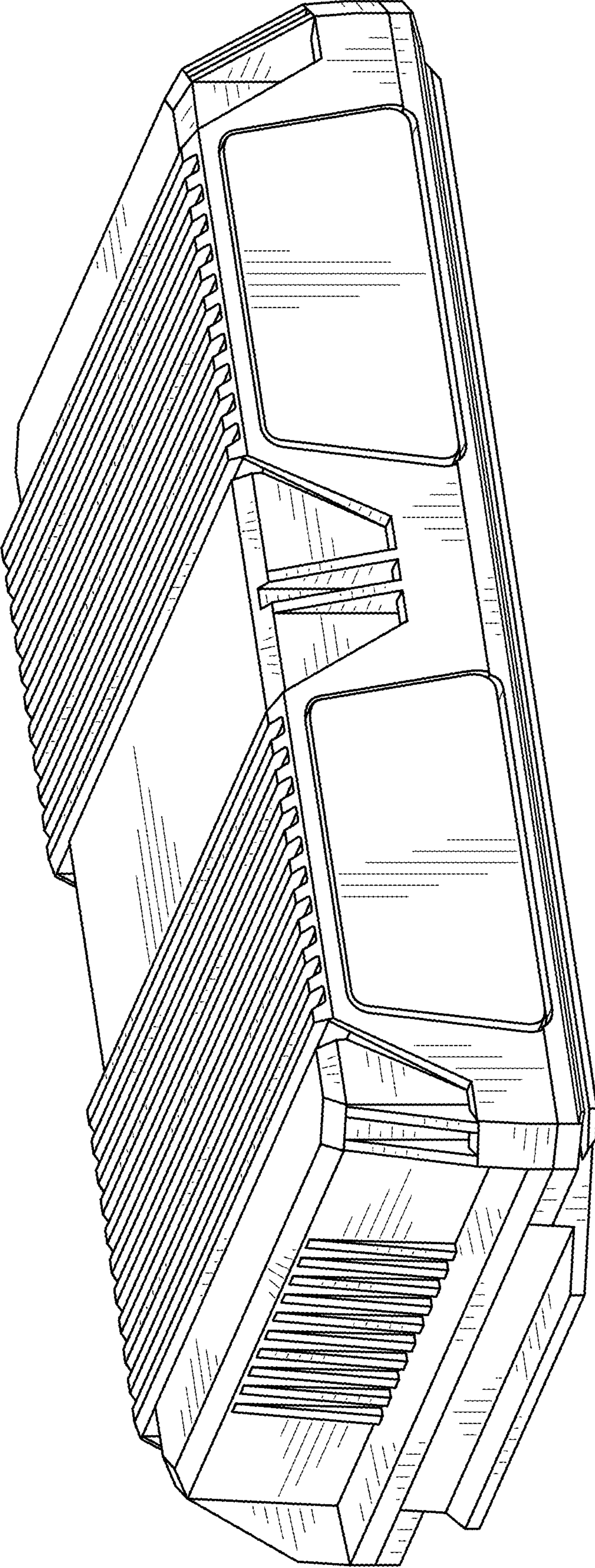


FIG. 1

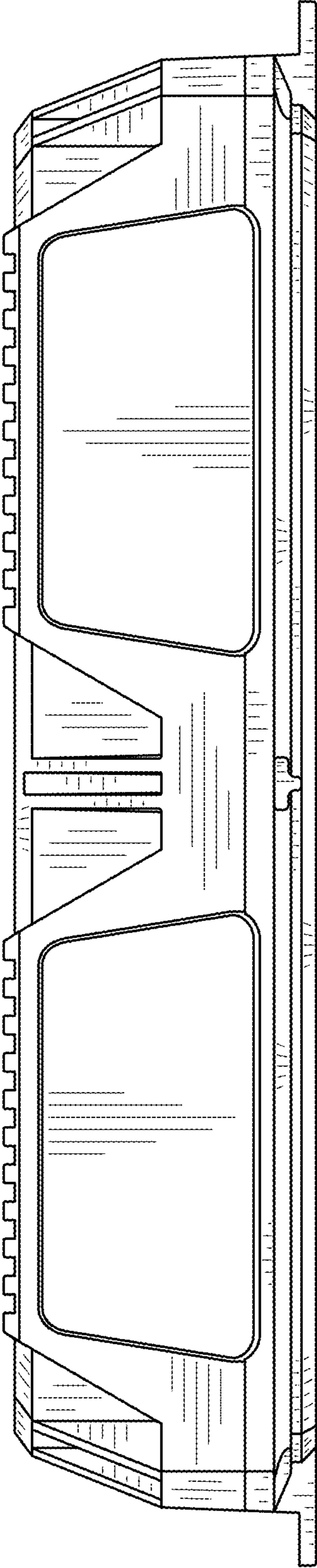


FIG. 2

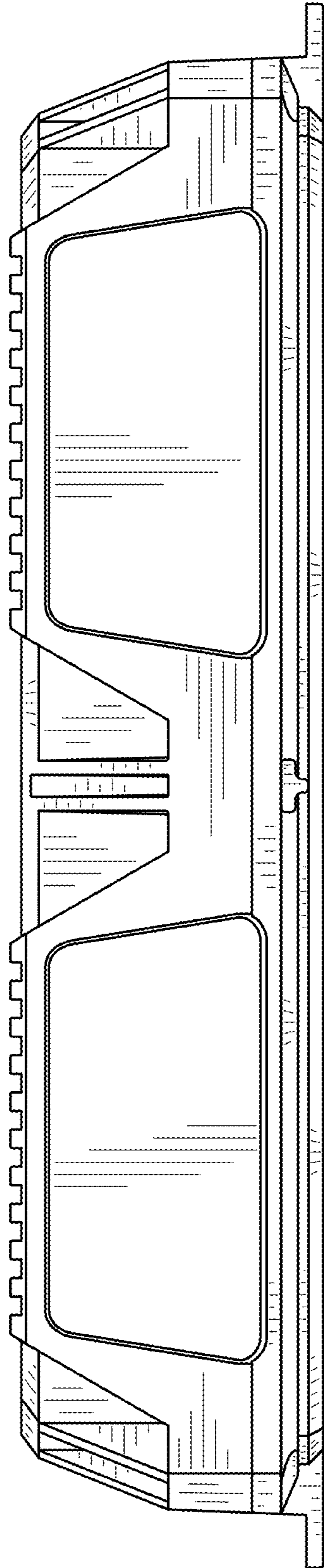


FIG. 3

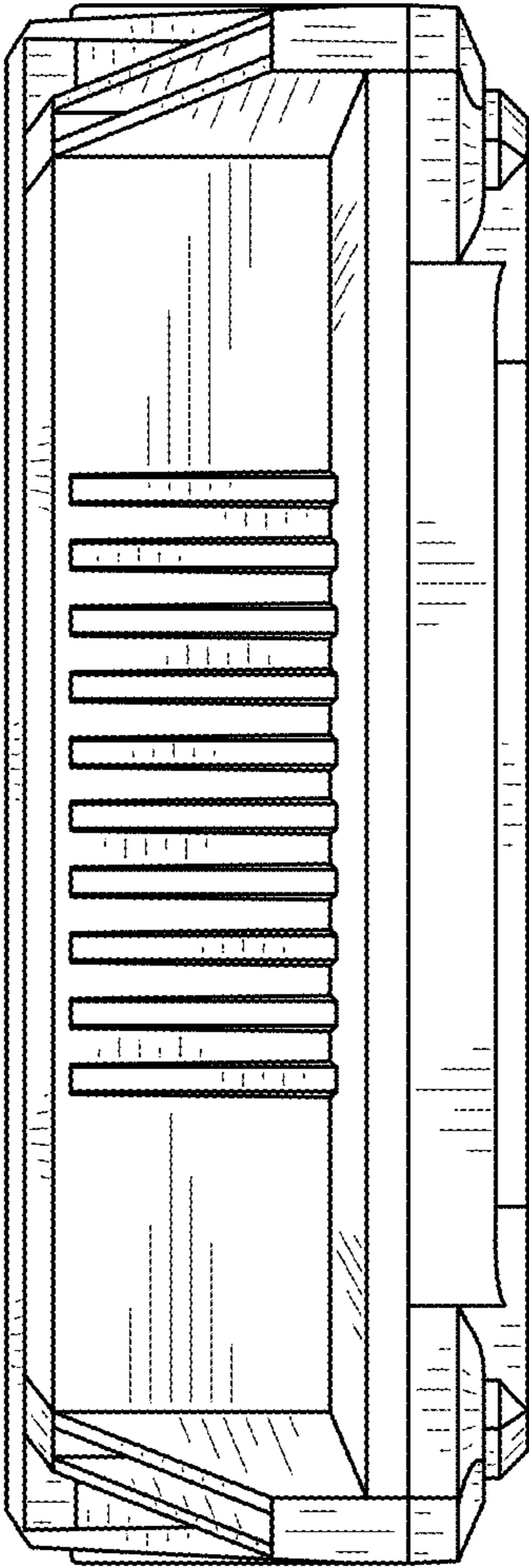


FIG. 4

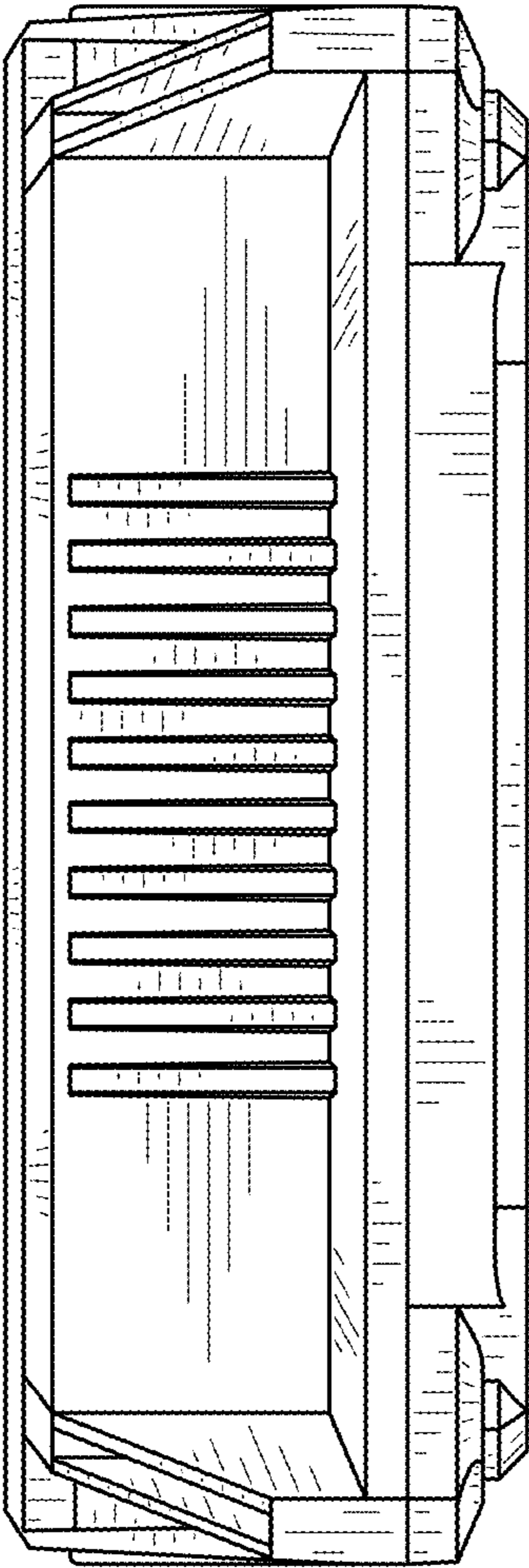


FIG. 5

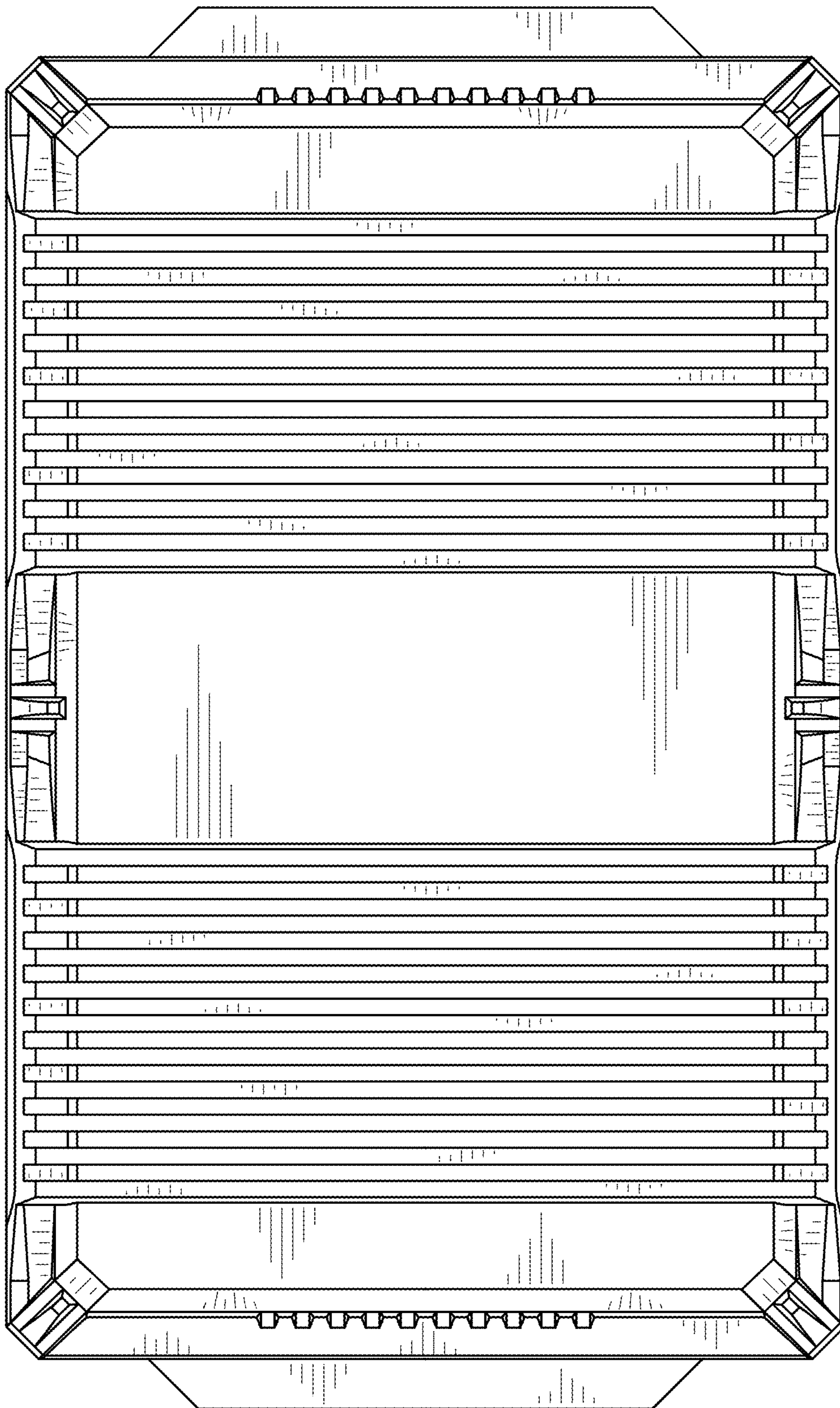


FIG. 6

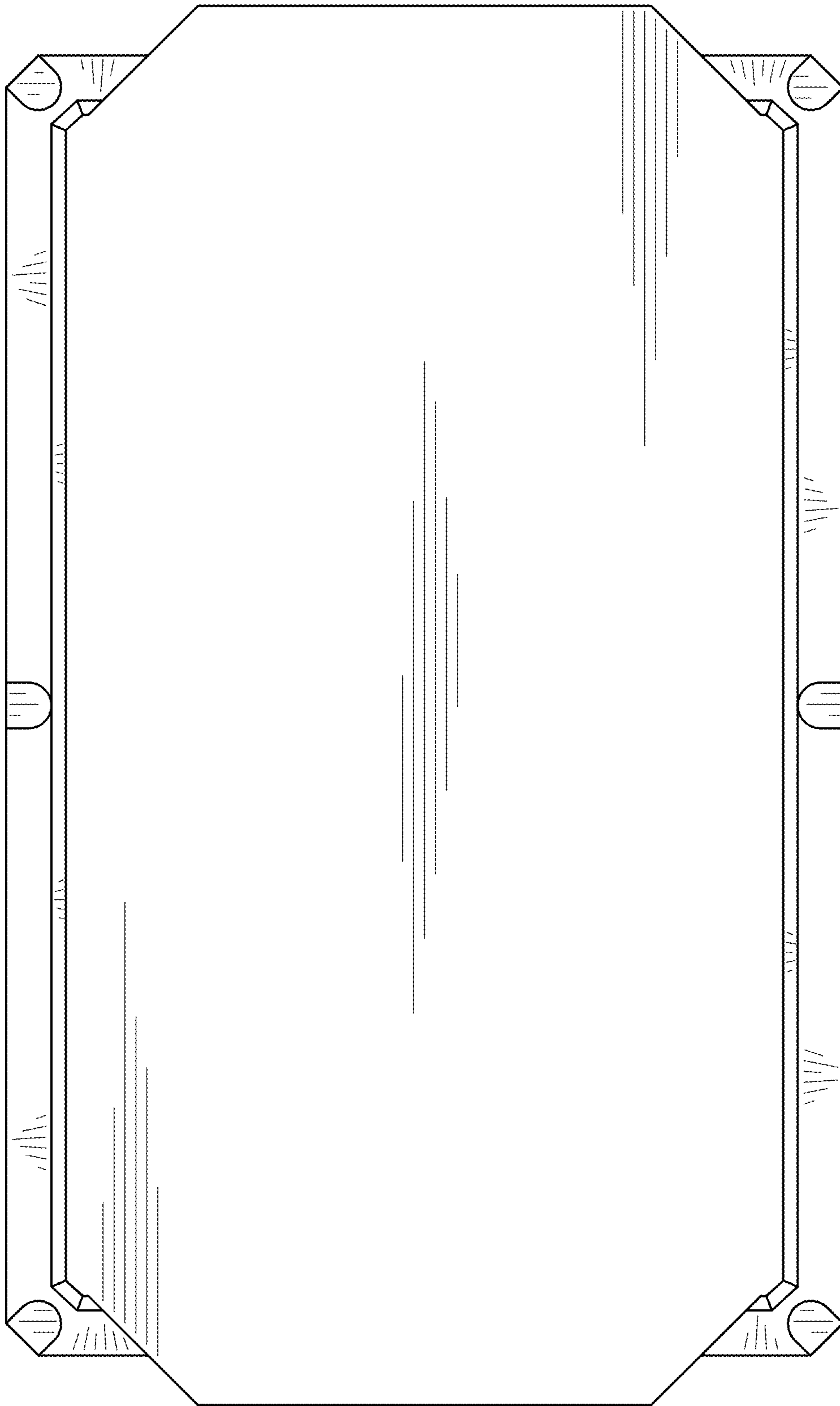


FIG. 7



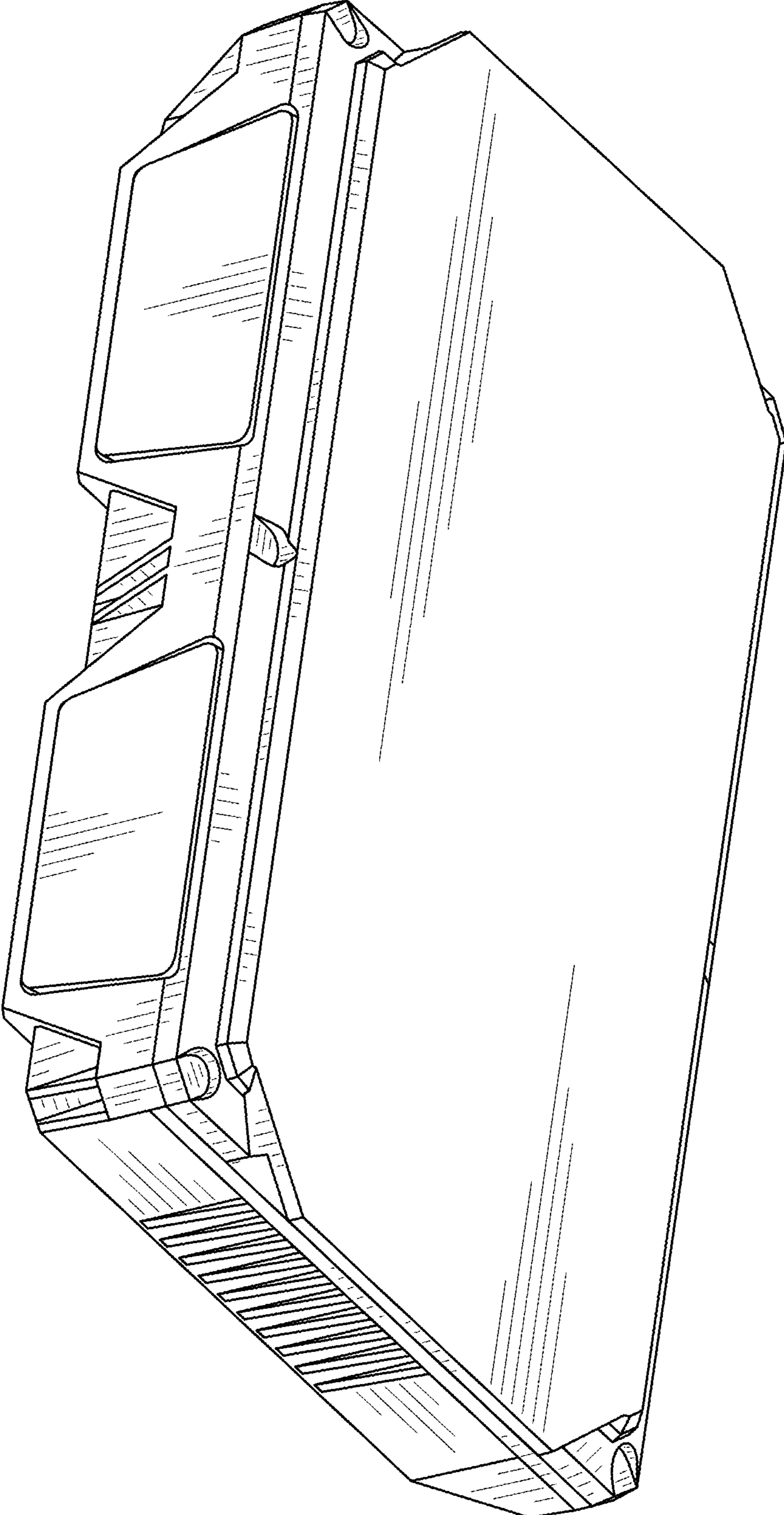


FIG. 8