



US00D908665S

(12) **United States Design Patent**
Wen

(10) **Patent No.:** **US D908,665 S**

(45) **Date of Patent:** **** Jan. 26, 2021**

(54) **WIRELESS EARPHONE**

(71) Applicant: **Shenzhen Litexim Technologies Co., Ltd.**, Guangdong (CN)

(72) Inventor: **Jufei Wen**, Guangdong (CN)

(**) Term: **15 Years**

(21) Appl. No.: **29/686,883**

(22) Filed: **Apr. 8, 2019**

(30) **Foreign Application Priority Data**

Feb. 28, 2019 (CN) 2019 3 0081605

(51) **LOC (13) Cl.** **14-01**

(52) **U.S. Cl.**
USPC **D14/223**

(58) **Field of Classification Search**
USPC D14/223, 205; 455/90.3, 569.1, 575.1;
381/380, 381, 322, 330, 324, 323
CPC H04R 1/10; H04R 25/00; H04R 1/1016;
H04R 1/1066; H04R 5/033; H04R
5/0335; H04R 1/105; H04R 1/1091
See application file for complete search history.

(56) **References Cited**

U.S. PATENT DOCUMENTS

5,410,608	A	*	4/1995	Lucey	H04R 1/083
						381/360
D431,553	S	*	10/2000	Suzuki	D14/223
D487,077	S	*	2/2004	Obata	D14/223
D531,169	S	*	10/2006	Tokioka	D14/223
D554,109	S	*	10/2007	Ledbetter	D14/223
D554,627	S	*	11/2007	Gondo	D14/223
D555,152	S	*	11/2007	Wang	D14/223
D572,703	S	*	7/2008	Ledbetter	D14/205
D573,977	S	*	7/2008	Ledbetter	D14/205
D573,978	S	*	7/2008	Ledbetter	D14/205
D576,154	S	*	9/2008	Ledbetter	D14/223
D587,685	S	*	3/2009	Densho	D14/206

D589,493	S	*	3/2009	Densho	D14/206
D598,894	S	*	8/2009	Masuda	D14/205
D605,182	S	*	12/2009	Fagnot	D14/223
D618,211	S	*	6/2010	Oguro	D14/205
D623,630	S	*	9/2010	Ohuri	D14/223
D626,117	S	*	10/2010	Lowry	D14/223
D627,764	S	*	11/2010	Tsai	D14/223
D628,193	S	*	11/2010	Zheng	D14/223
D642,163	S	*	7/2011	Lee	D14/223
D643,833	S	*	8/2011	Lee	D14/223
D683,332	S	*	5/2013	Lee	D14/223

(Continued)

FOREIGN PATENT DOCUMENTS

EM	007723721-0005	*	2/2020
EM	007884176-0001	*	5/2020

Primary Examiner — Paula Allen Greene

(74) *Attorney, Agent, or Firm* — Prakash Nama; Global IP Services, PLLC

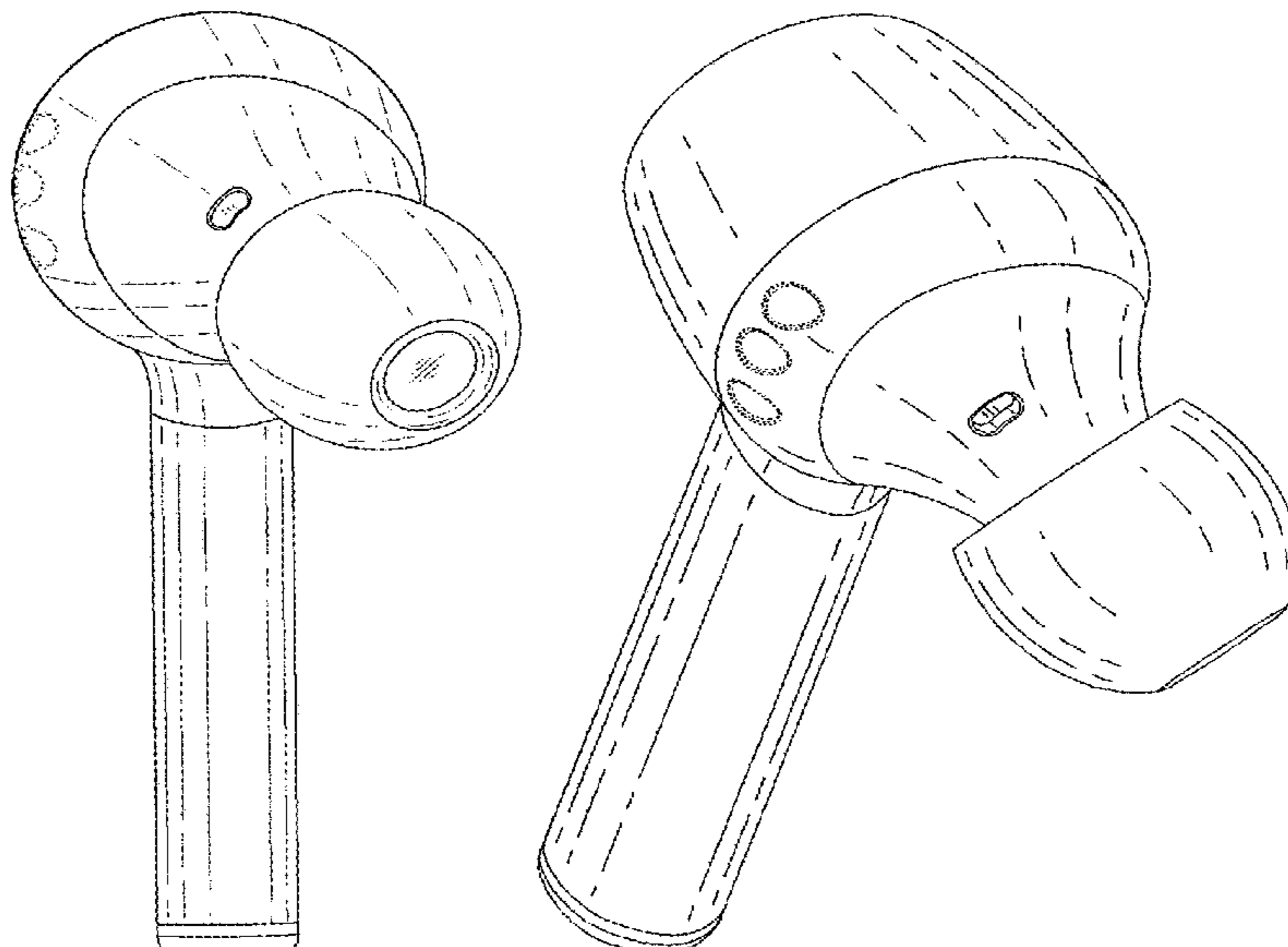
(57) **CLAIM**

The ornamental design for a wireless earphone, as shown and described.

DESCRIPTION

FIG. 1 is a front elevational view of a wireless earphone showing my new design;
FIG. 2 is a rear elevational view thereof;
FIG. 3 is a left side view thereof;
FIG. 4 is a right side view thereof;
FIG. 5 is a top plan view thereof;
FIG. 6 is a bottom plan view thereof;
FIG. 7 is a perspective view thereof;
FIG. 8 is a second perspective view thereof;
FIG. 9 is a third perspective view thereof; and,
FIG. 10 is a fourth perspective view thereof.
The broken lines depict environment that is for illustrative purposes only; the broken lines form no part of the claimed design.

1 Claim, 10 Drawing Sheets



(56)

References Cited

U.S. PATENT DOCUMENTS

D686,597 S * 7/2013 Lee D14/223
 D701,195 S * 3/2014 Katsumata D14/223
 8,712,087 B2 * 4/2014 Ozawa H04R 1/345
 181/130
 D707,652 S * 6/2014 Brunner H04R 1/1016
 D14/205
 8,831,266 B1 * 9/2014 Huang H04R 1/1091
 381/380
 D733,101 S * 6/2015 Pi D14/223
 D746,792 S * 1/2016 Kim D14/205
 D762,616 S * 8/2016 Hsieh D14/205
 D775,108 S * 12/2016 Hsieh D14/223
 D780,155 S * 2/2017 Levine D14/205
 D813,196 S * 3/2018 Yang D14/205
 D817,933 S * 5/2018 Liu D14/223
 D841,627 S * 2/2019 Wen D14/223
 D847,125 S * 4/2019 Akana D14/223
 D847,794 S * 5/2019 Guo D14/223

D848,983 S * 5/2019 Kim D14/223
 D853,995 S * 7/2019 Cai D14/223
 D861,647 S * 10/2019 Chen D14/223
 D865,720 S * 11/2019 Deng D14/223
 D869,445 S * 12/2019 Hu D14/223
 D873,238 S * 1/2020 Wen D14/205
 D875,713 S * 2/2020 Kim D14/205
 D877,722 S * 3/2020 Yang D14/223
 D878,337 S * 3/2020 Yang D14/223
 D882,553 S * 4/2020 Wu D14/223
 D883,260 S * 5/2020 Hu D14/223
 D884,682 S * 5/2020 Du D14/223
 D887,396 S * 6/2020 Wang D14/223
 D888,691 S * 6/2020 Liu D14/223
 D889,436 S * 7/2020 Zhang D14/223
 D890,138 S * 7/2020 Peng D14/223
 D890,724 S * 7/2020 Li D14/223
 D896,206 S * 9/2020 Xu D14/223
 2007/0189570 A1 * 8/2007 Matsuo H04R 1/02
 381/382

* cited by examiner

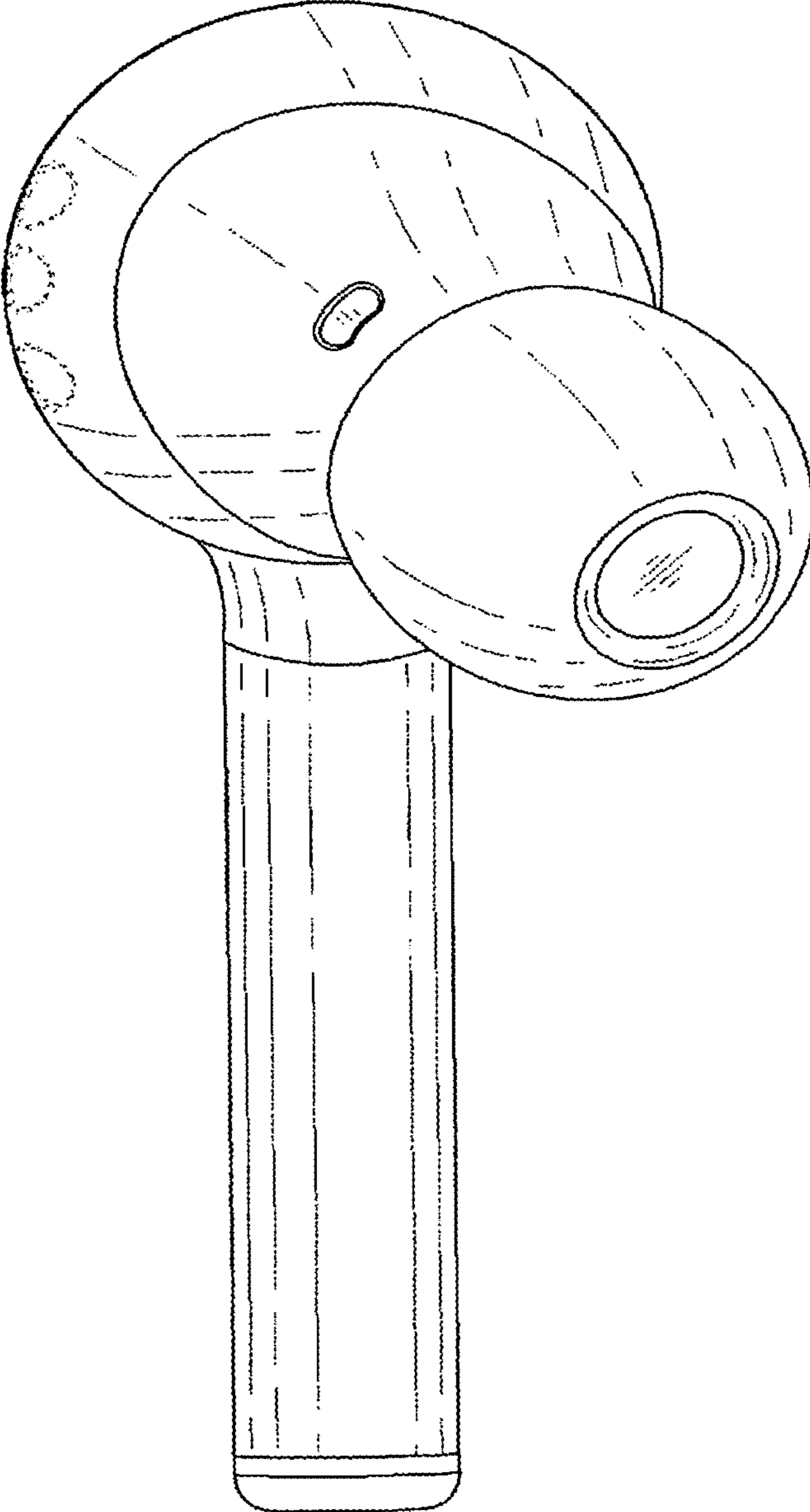


FIG. 1

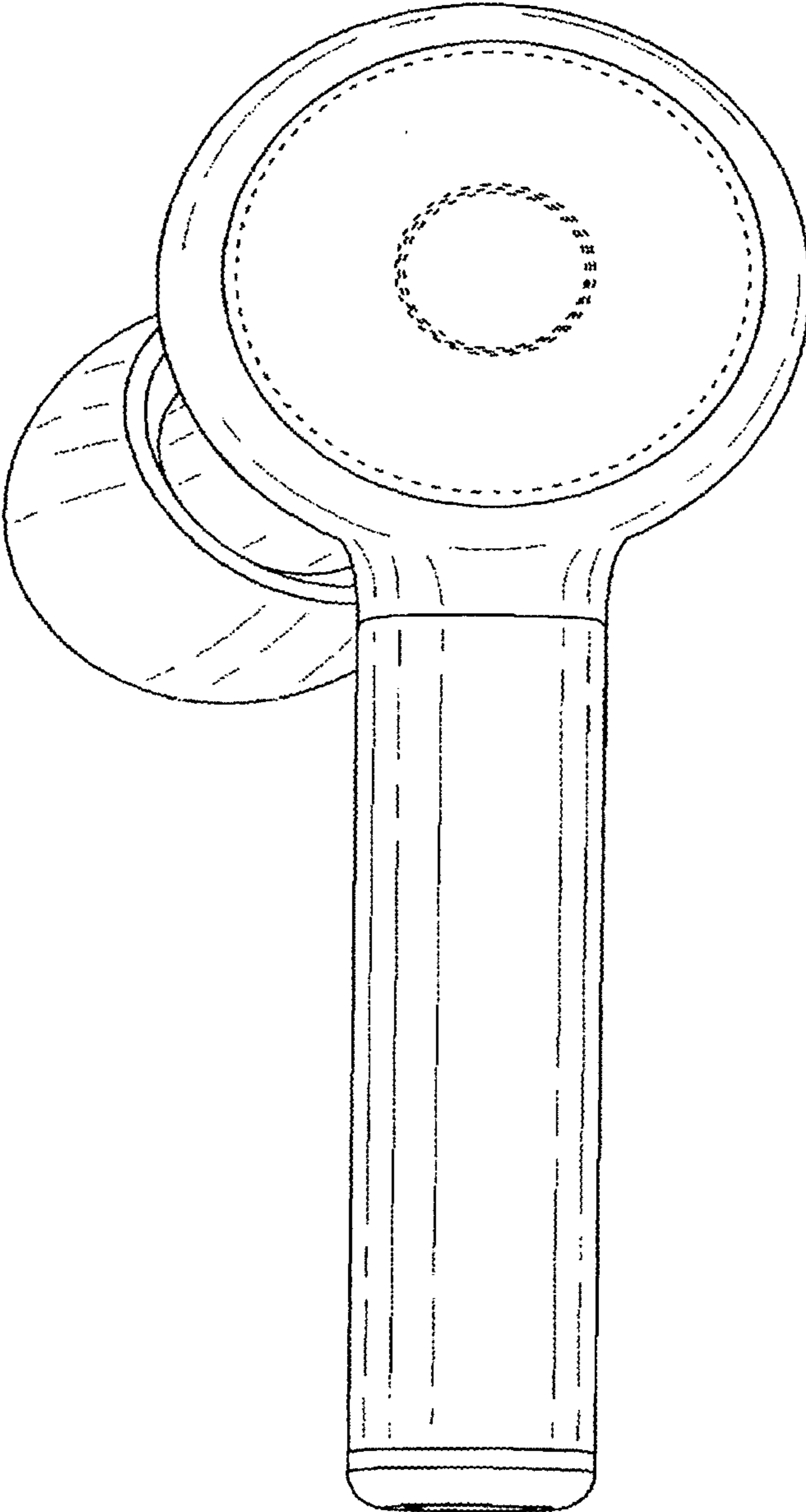


FIG. 2

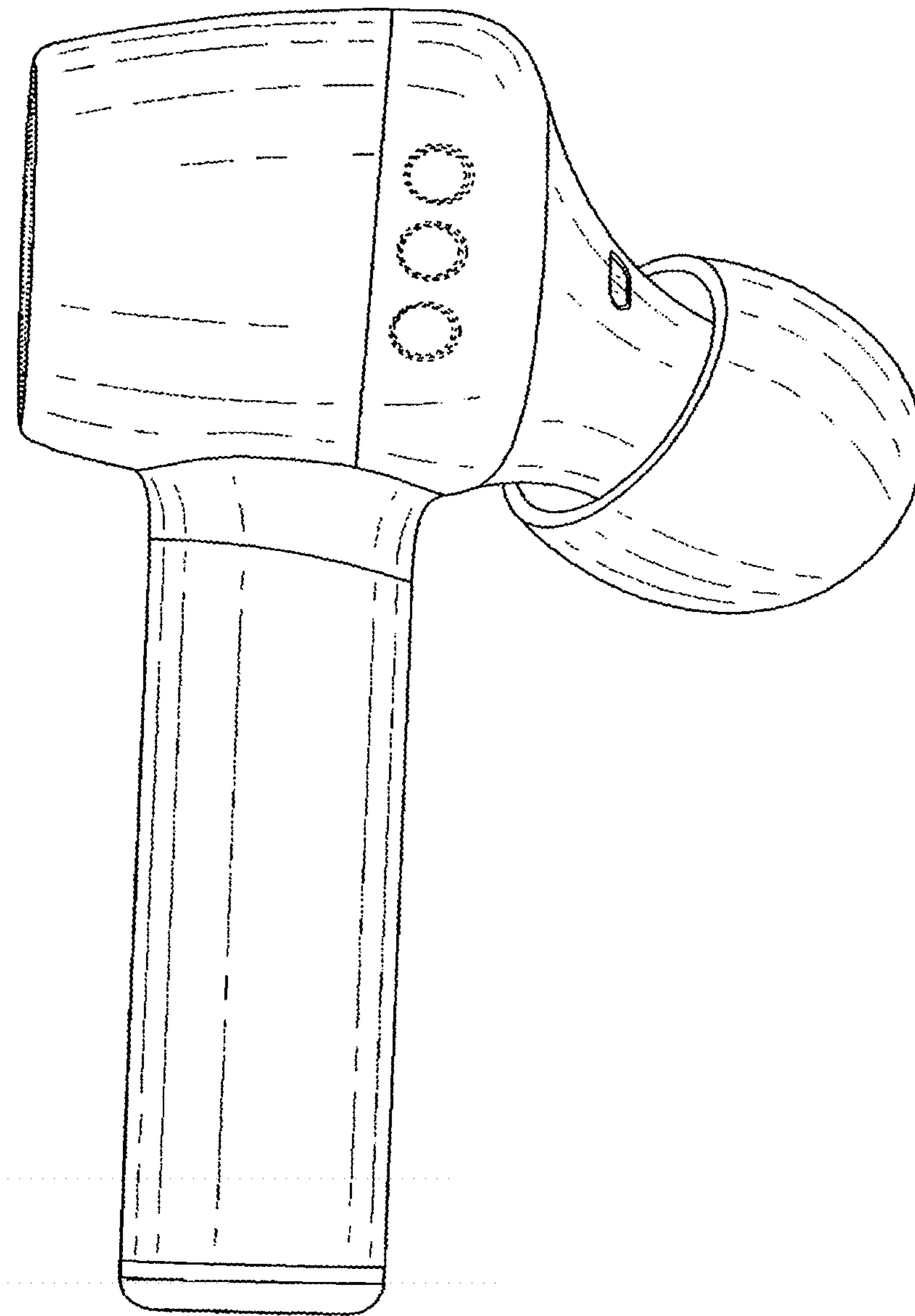


FIG. 3

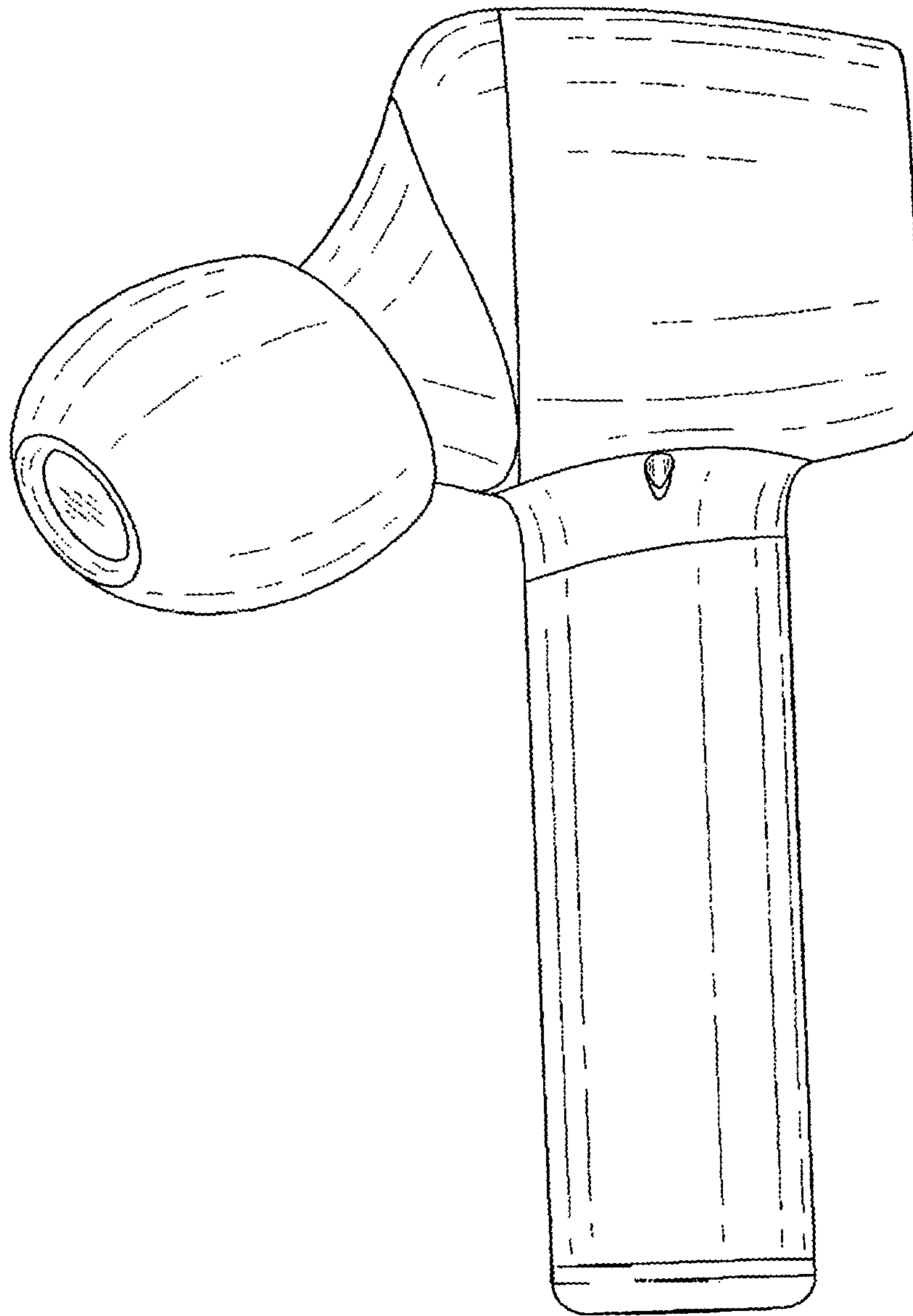


FIG. 4

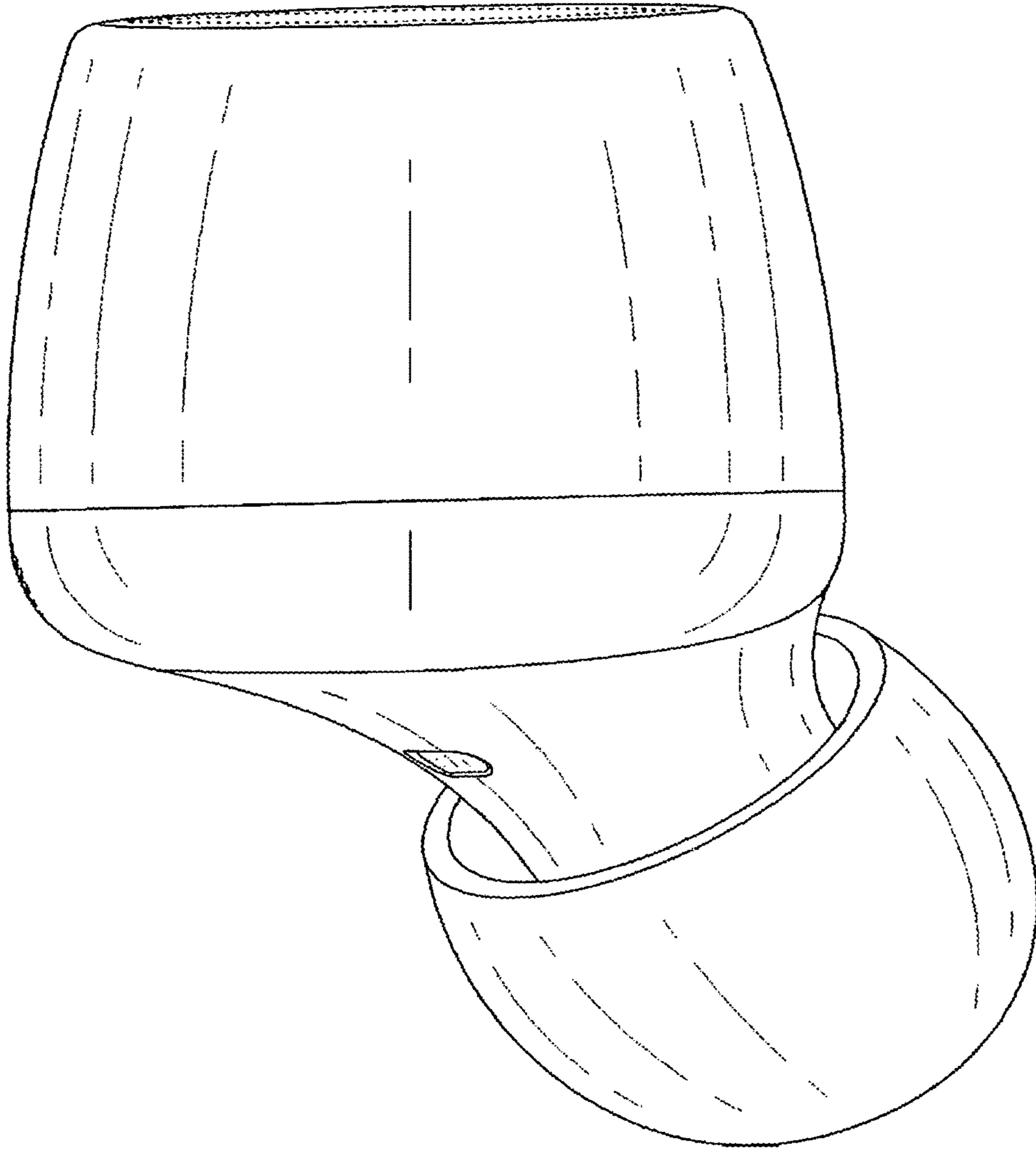


FIG. 5

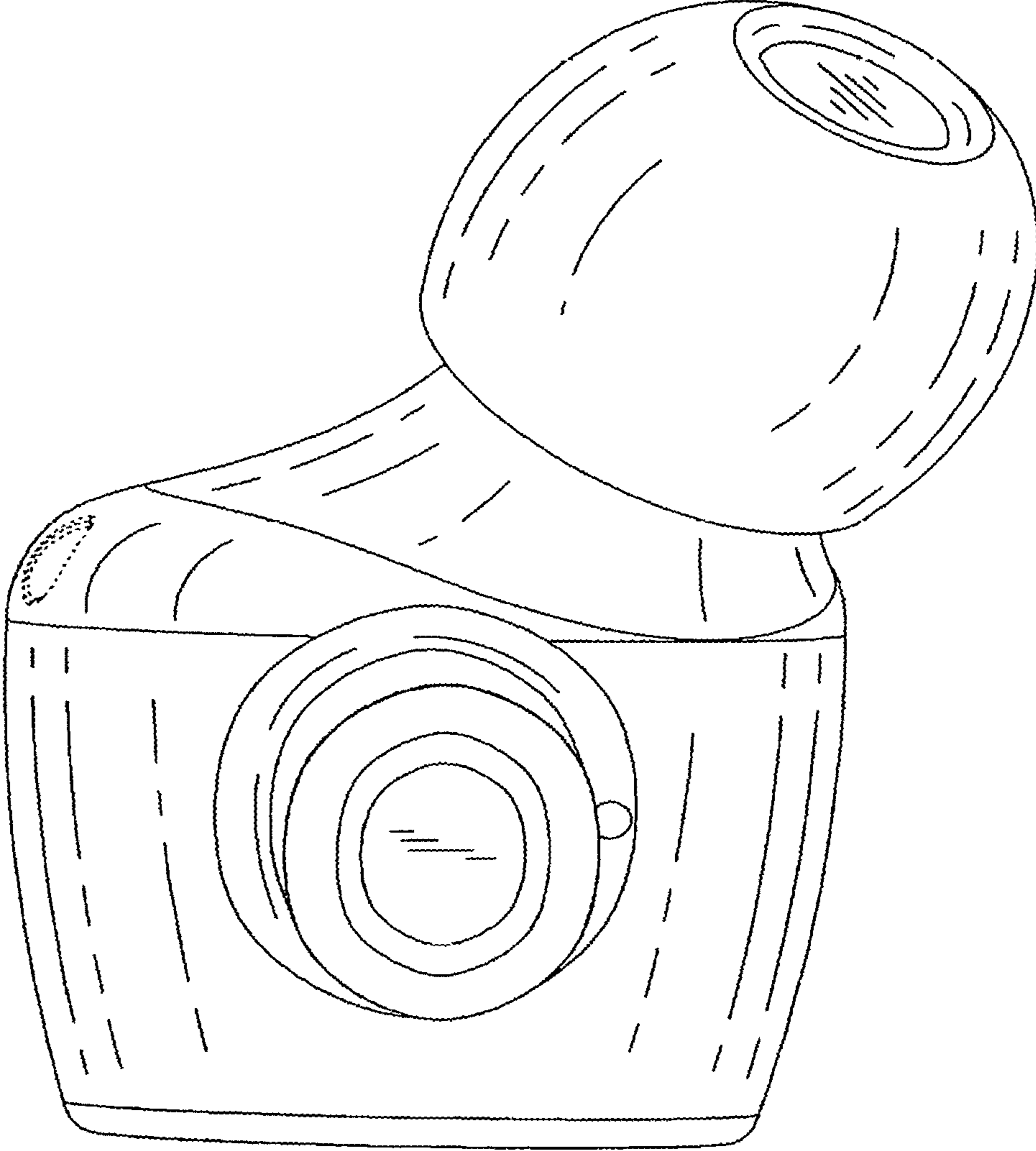


FIG. 6

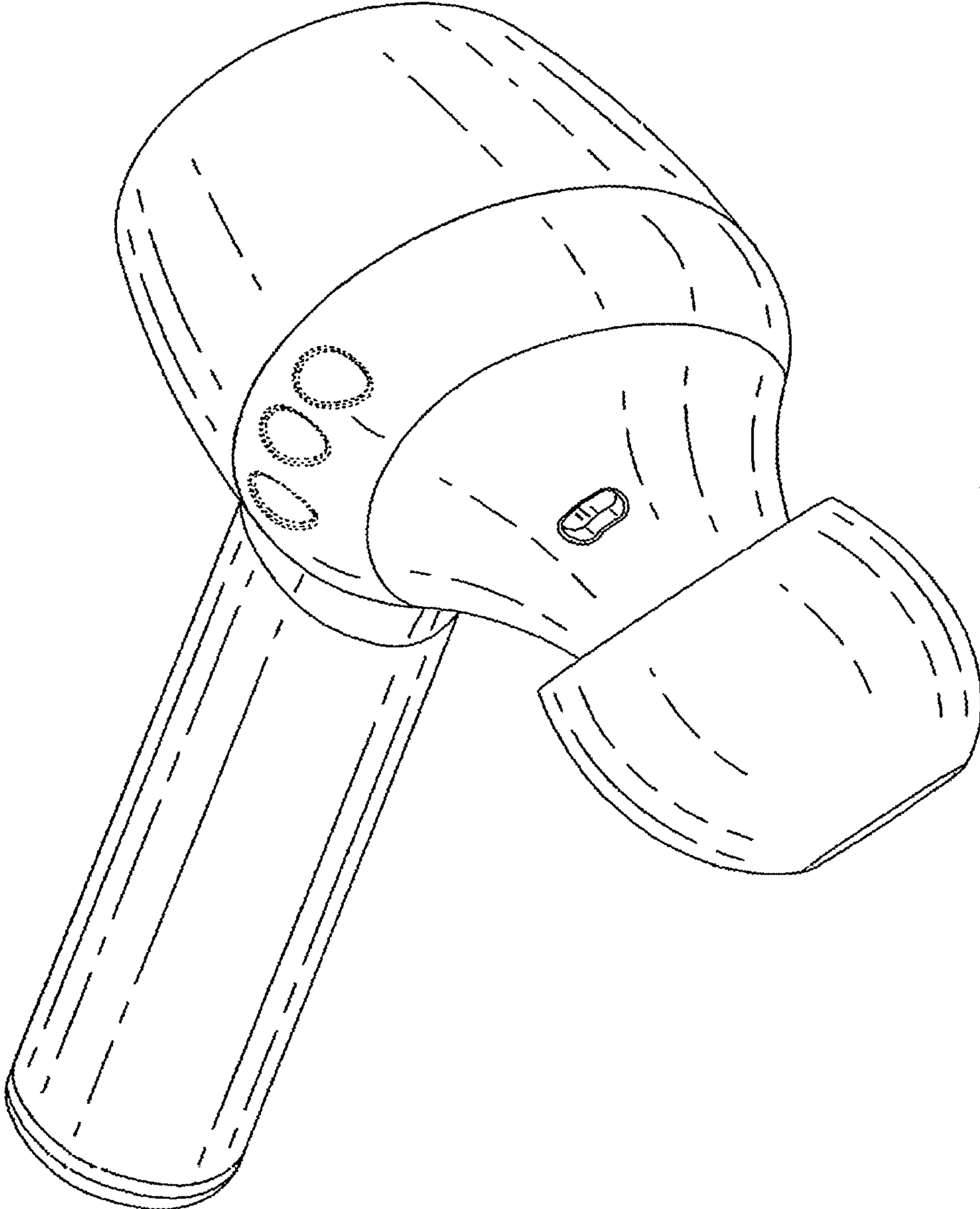


FIG. 7

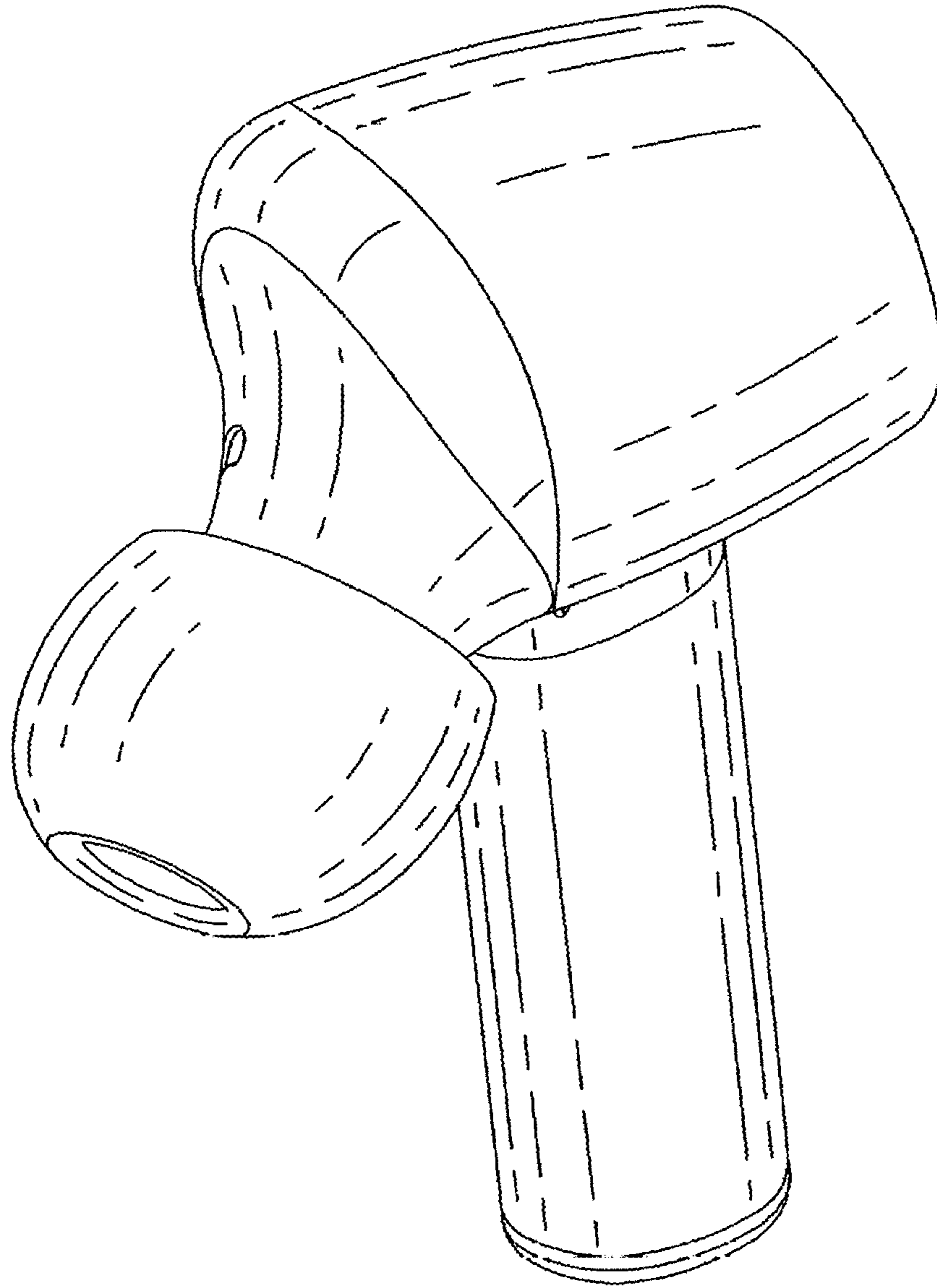


FIG. 8

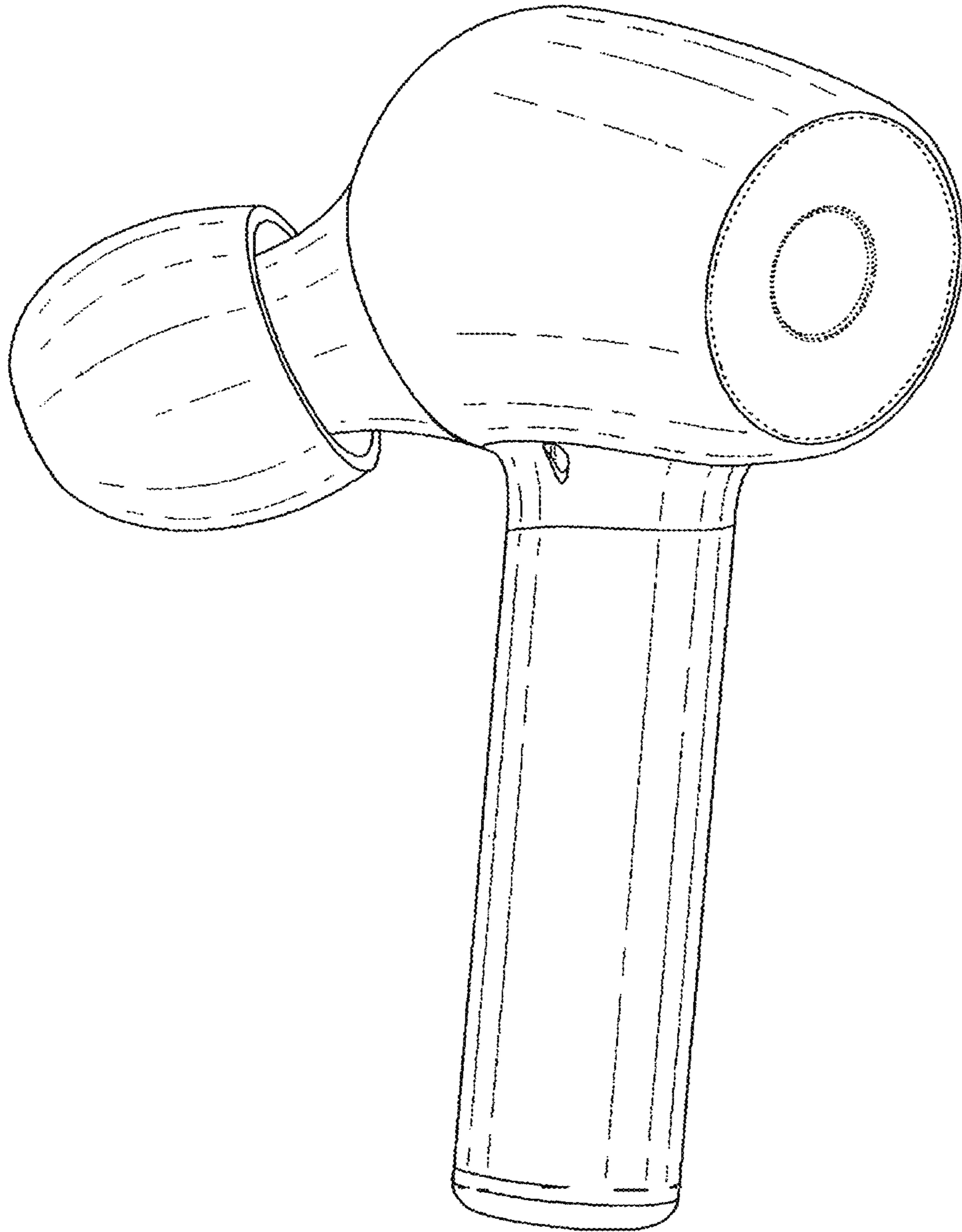


FIG. 9

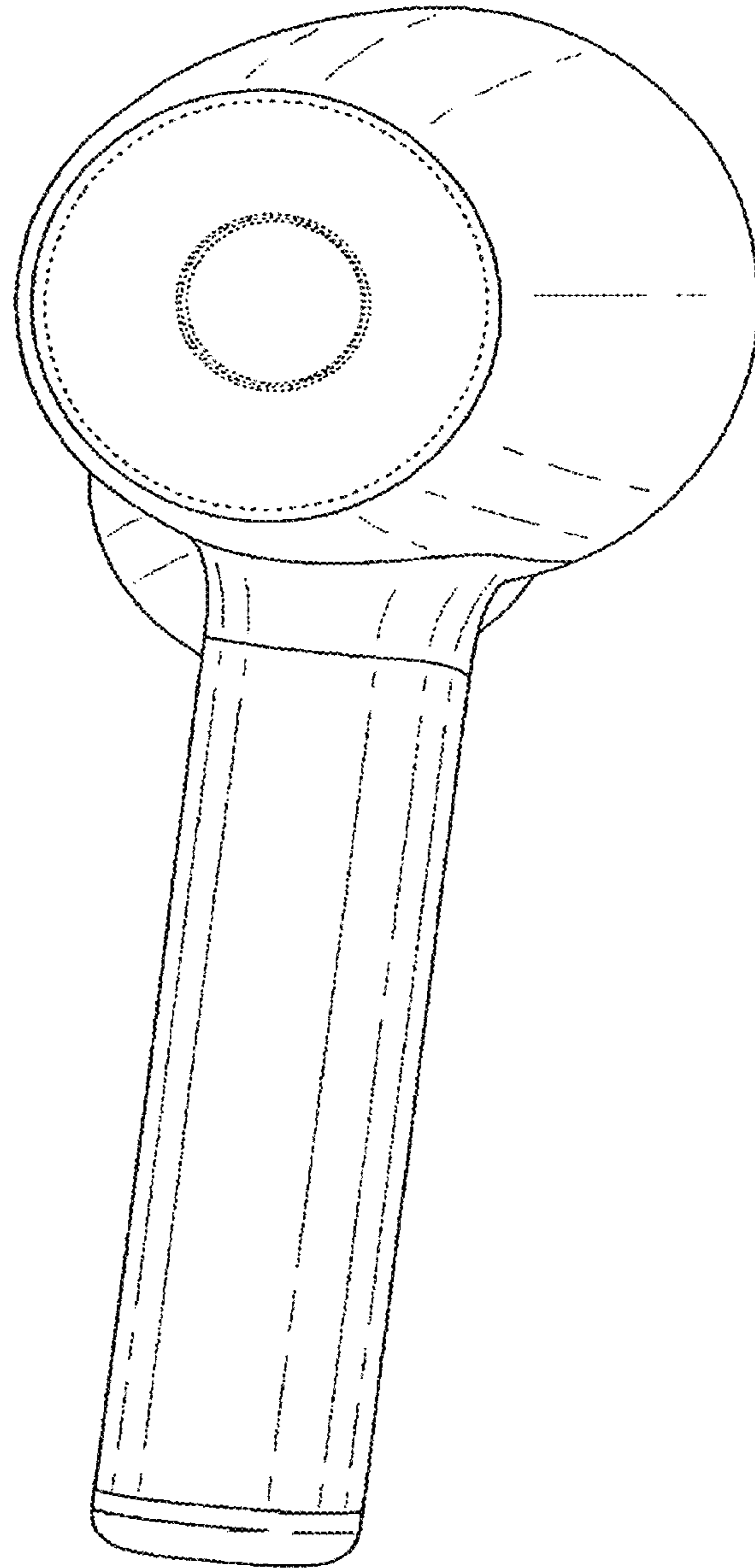


FIG. 10