



US00D908661S

(12) **United States Design Patent**  
**Teruzzi**

(10) **Patent No.:** **US D908,661 S**

(45) **Date of Patent:** **\*\* Jan. 26, 2021**

- (54) **LOUDSPEAKER**
- (71) Applicant: **Harman International Industries, Incorporated, Northridge, CA (US)**
- (72) Inventor: **Gianni Teruzzi, Shenzhen (CN)**
- (73) Assignee: **Harman International Industries, Incorporated, Northridge, CA (US)**
- (\*\*) Term: **15 Years**
- (21) Appl. No.: **29/689,118**
- (22) Filed: **Apr. 26, 2019**
- (51) **LOC (13) Cl.** ..... **14-01**
- (52) **U.S. Cl.**  
USPC ..... **D14/204; D14/216**
- (58) **Field of Classification Search**  
USPC ..... D14/204, 496, 216, 214, 172, 209.1  
CPC ..... H04R 1/02; H04R 1/021; H04R 1/026;  
H04R 1/028; H04R 1/403; H04R 1/2803;  
H04R 5/02; H04R 9/06; H04R 9/13;  
H04R 2201/021; H04R 2400/00; H04R  
2499/11

See application file for complete search history.

(56) **References Cited**

**U.S. PATENT DOCUMENTS**

D517,533 S *	3/2006	Yuasa	.....	D14/221
7,306,073 B2 *	12/2007	Frasl	.....	H04R 7/14 181/157
D615,068 S *	5/2010	Yuasa	.....	D14/216
D616,422 S *	5/2010	Chen	.....	D14/222
D616,423 S *	5/2010	Chen	.....	D14/222
D619,565 S *	7/2010	Chen	.....	D14/222
D636,760 S *	4/2011	Cheng	.....	D14/216
D650,772 S *	12/2011	Chen	.....	D14/216
D676,423 S *	2/2013	Joseph	.....	D14/216
D696,646 S *	12/2013	Deguchi	.....	D14/216
D711,353 S *	8/2014	Szymanski	.....	D14/216
D712,378 S *	9/2014	Mackiewicz	.....	D14/216

D730,872 S *	6/2015	Wan	.....	D14/216
D743,377 S	11/2015	Mackiewicz et al.		
D756,956 S *	5/2016	Van Den Nieuwenhuizen	.....	D14/204
D764,045 S *	8/2016	Griz	.....	D23/382
D791,735 S	7/2017	Kalyuzhny et al.		
D815,150 S *	4/2018	Hu	.....	D14/496
D836,609 S *	12/2018	Yoon	.....	D14/216
D843,418 S	3/2019	Demin et al.		
D843,974 S *	3/2019	Yoon	.....	D14/216
D847,115 S *	4/2019	Li	.....	D14/204
D847,373 S *	4/2019	Hurwit	.....	D24/231
D860,168 S *	9/2019	Yang	.....	D14/216
D862,730 S *	10/2019	Hu	.....	D24/231
D870,704 S *	12/2019	Leung	.....	D14/216
D877,123 S *	3/2020	Lee	.....	D14/216
D879,072 S *	3/2020	Peng	.....	D14/216
D893,457 S *	8/2020	Wei	.....	D14/216
D894,963 S *	9/2020	Li	.....	D14/496

(Continued)

*Primary Examiner* — Cynthia R Underwood

(74) *Attorney, Agent, or Firm* — Plumsea Law Group, LLC

(57) **CLAIM**

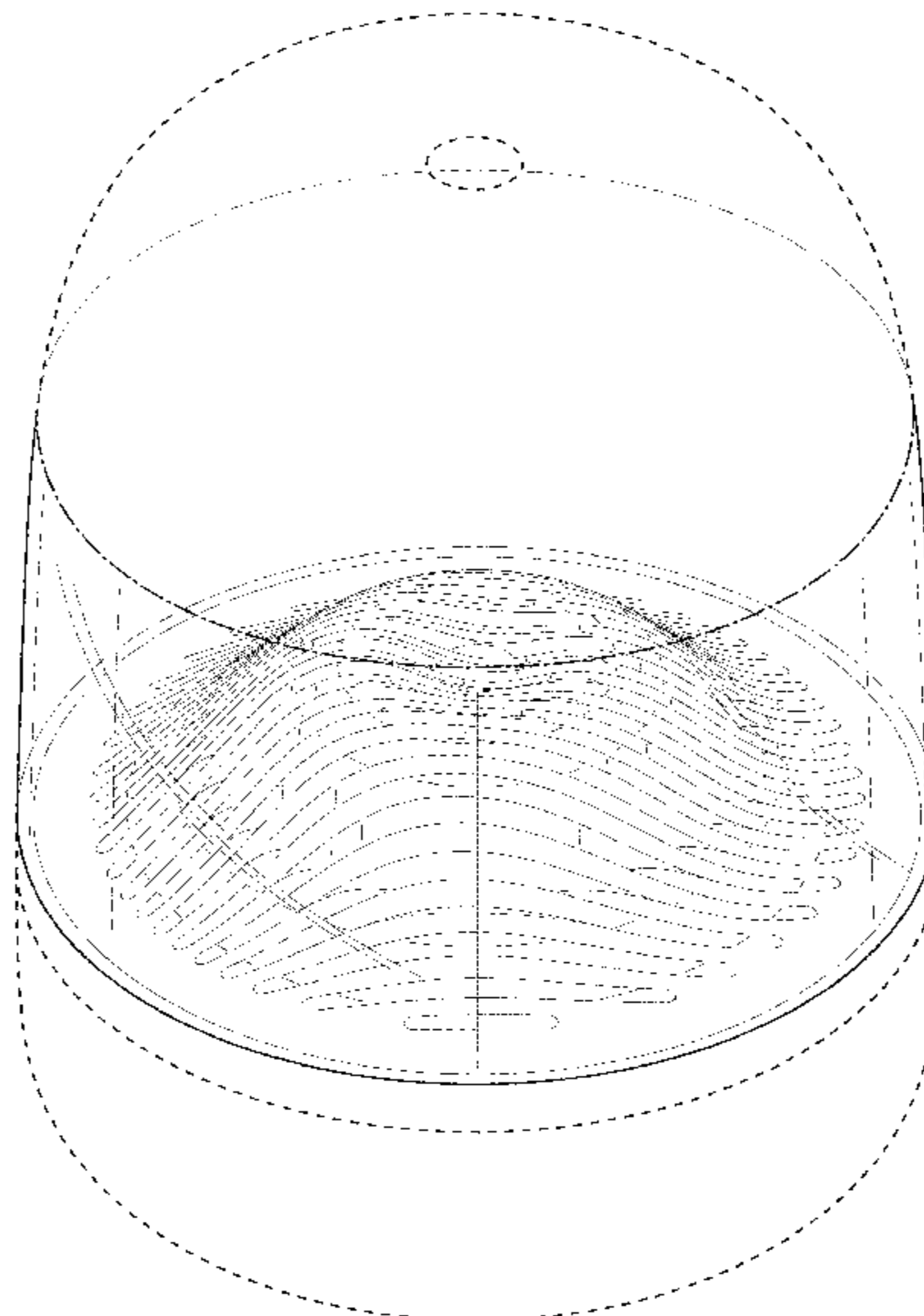
The ornamental design for a loudspeaker, as shown and described.

**DESCRIPTION**

FIG. 1 is a perspective view of a loudspeaker showing the new design;  
 FIG. 2 is a front elevational view thereof;  
 FIG. 3 is a rear elevational view thereof;  
 FIG. 4 is a side elevational view thereof;  
 FIG. 5 is an opposite side elevational view thereof;  
 FIG. 6 is a top view thereof; and,  
 FIG. 7 is a bottom view thereof.

The dot-dash-dot broken lines represent bounds of the claimed design and form no part of the claim. The dash-dash-dash broken lines depict portions of the loudspeaker and also form no part of the claim.

**1 Claim, 7 Drawing Sheets**



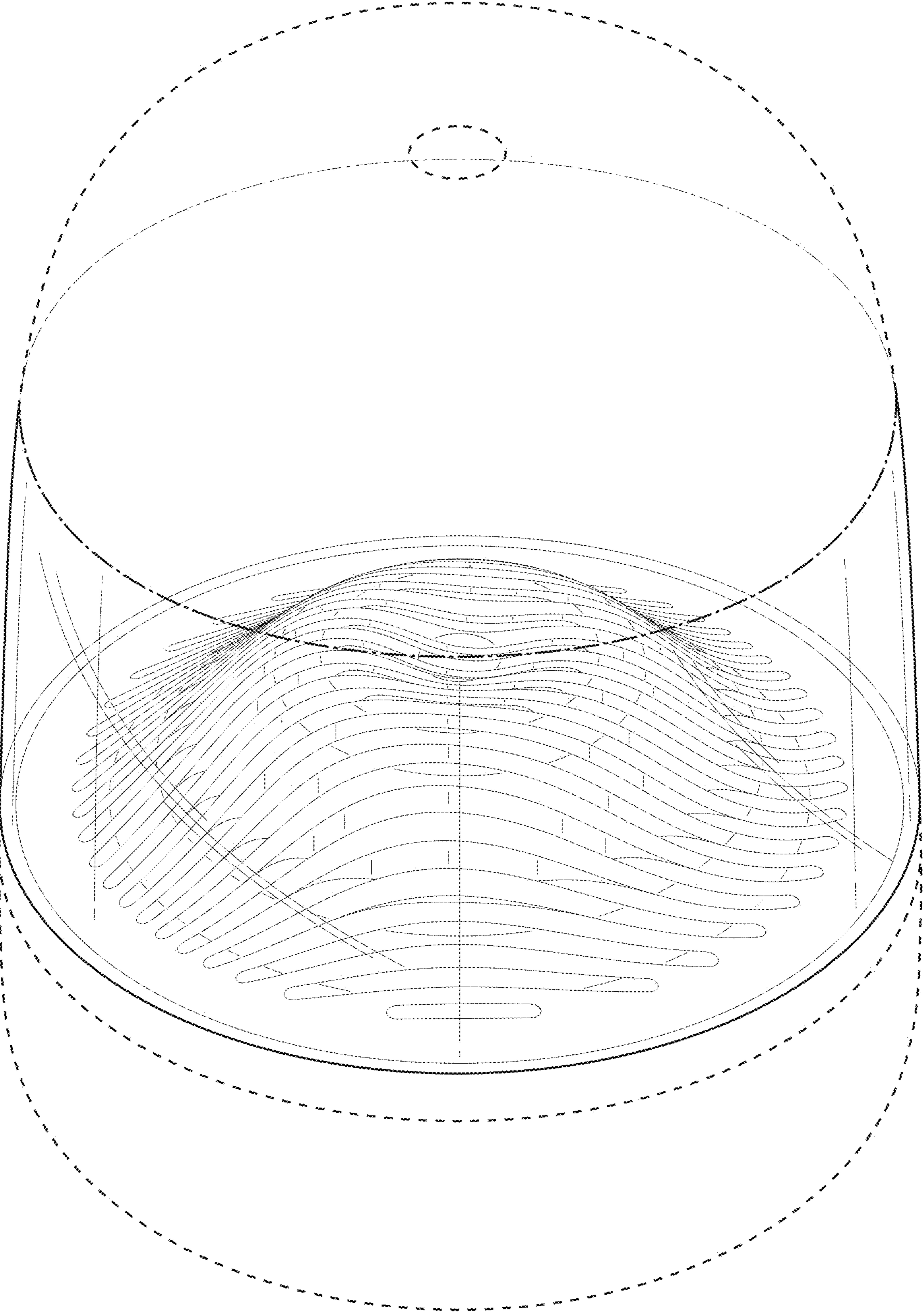
(56)

**References Cited**

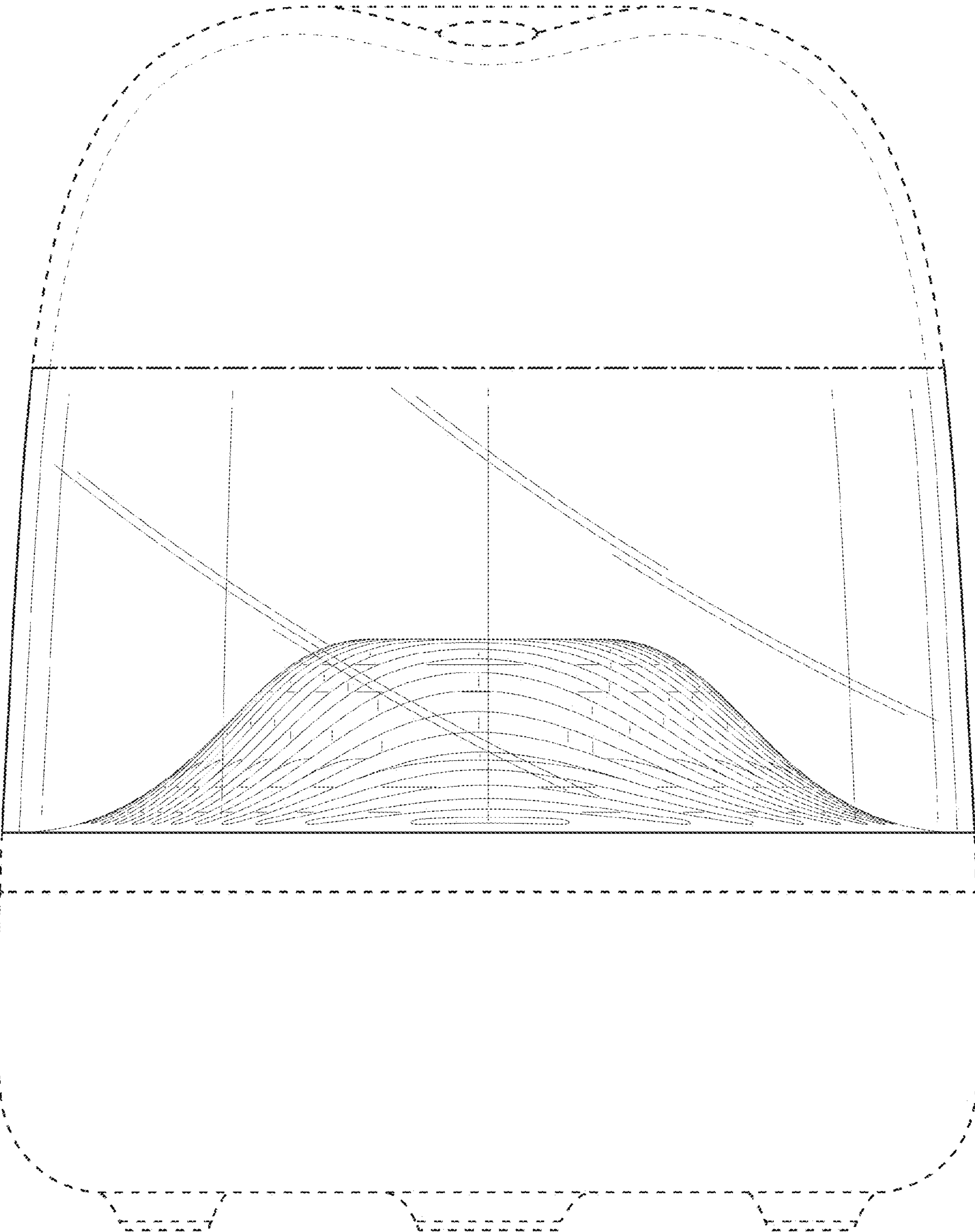
U.S. PATENT DOCUMENTS

2003/0024693 A1\* 2/2003 Petty ..... H01L 23/467  
165/121  
2011/0268567 A1\* 11/2011 Ching ..... F04D 25/08  
415/213.1

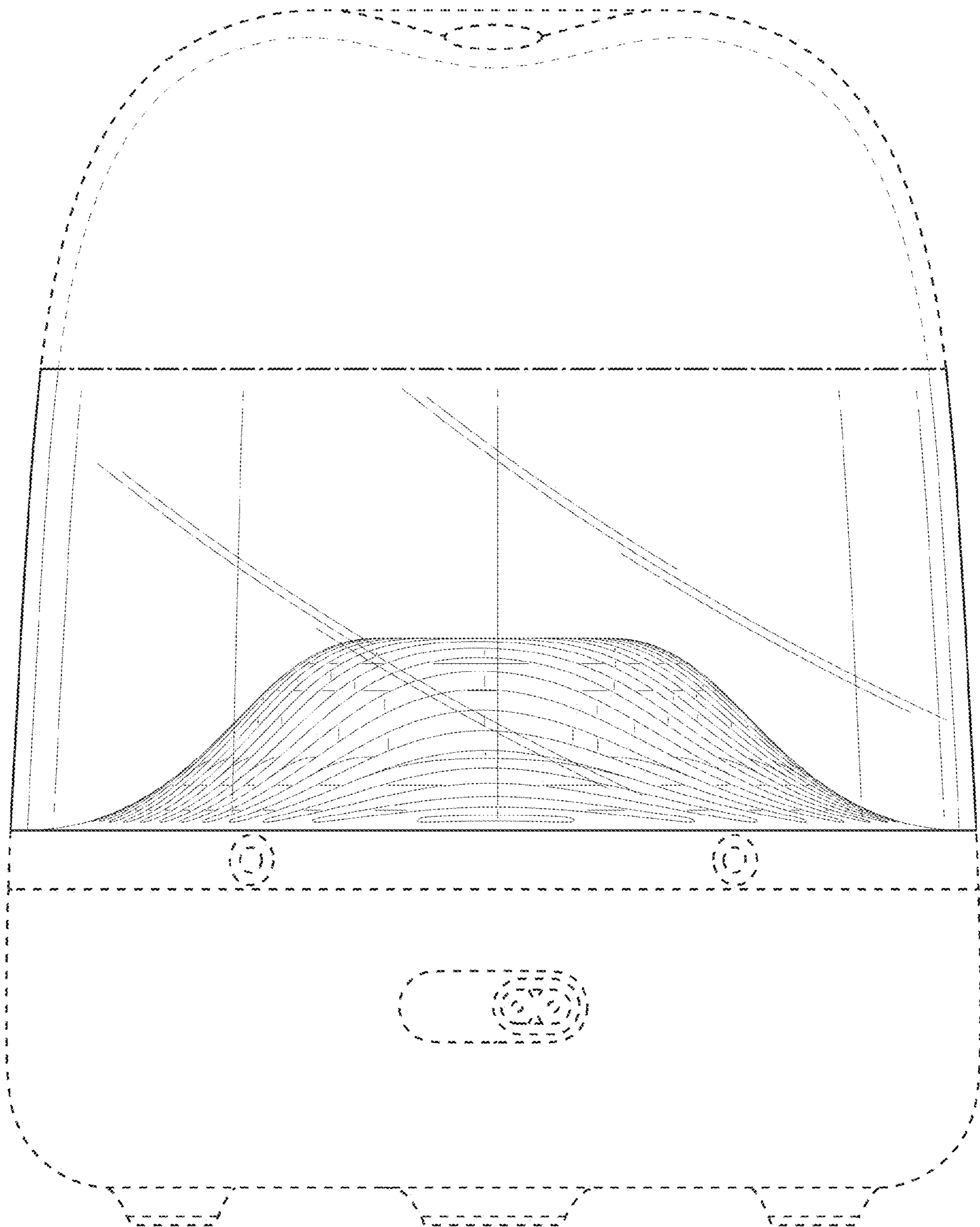
\* cited by examiner



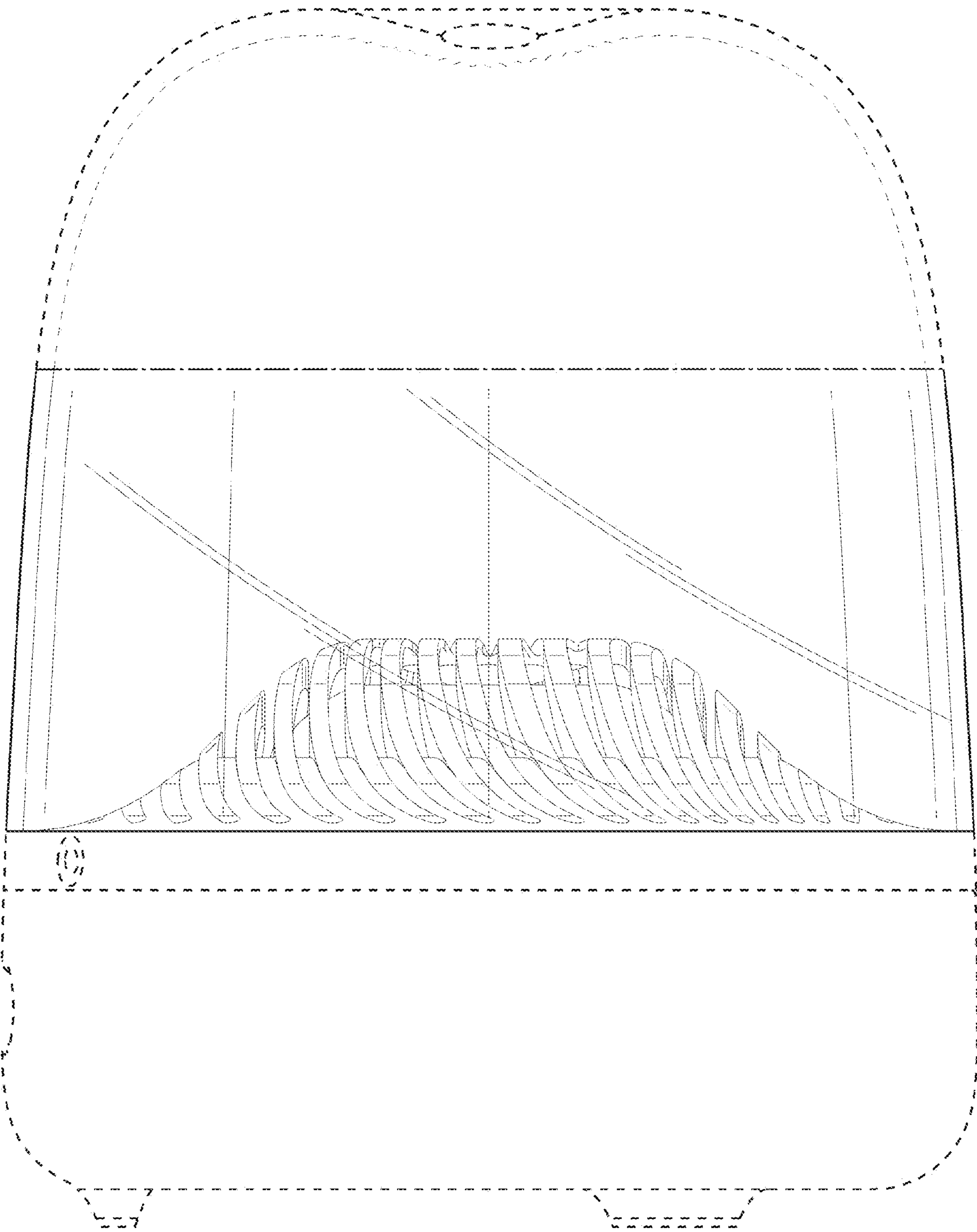
**FIG. 1**



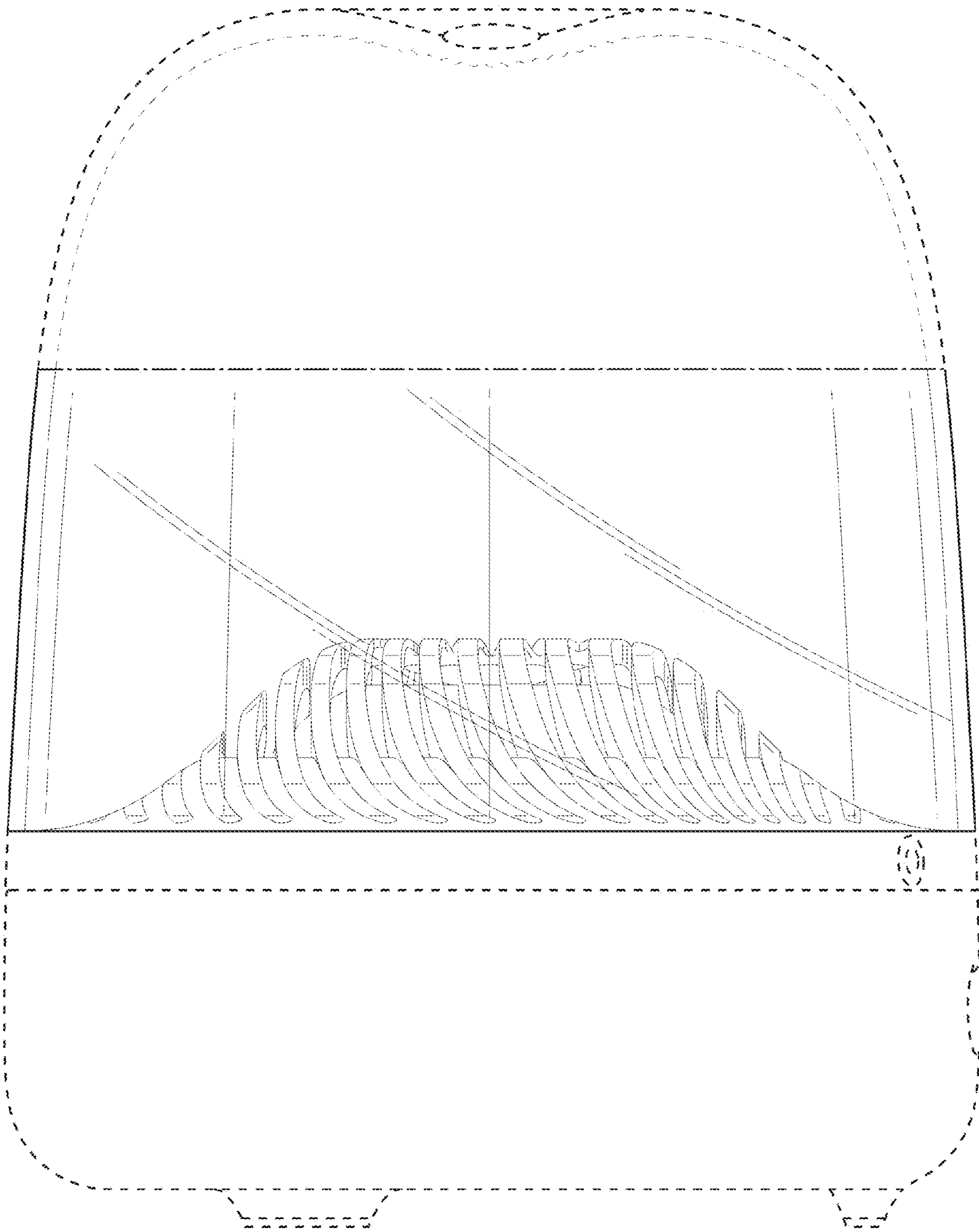
**FIG. 2**



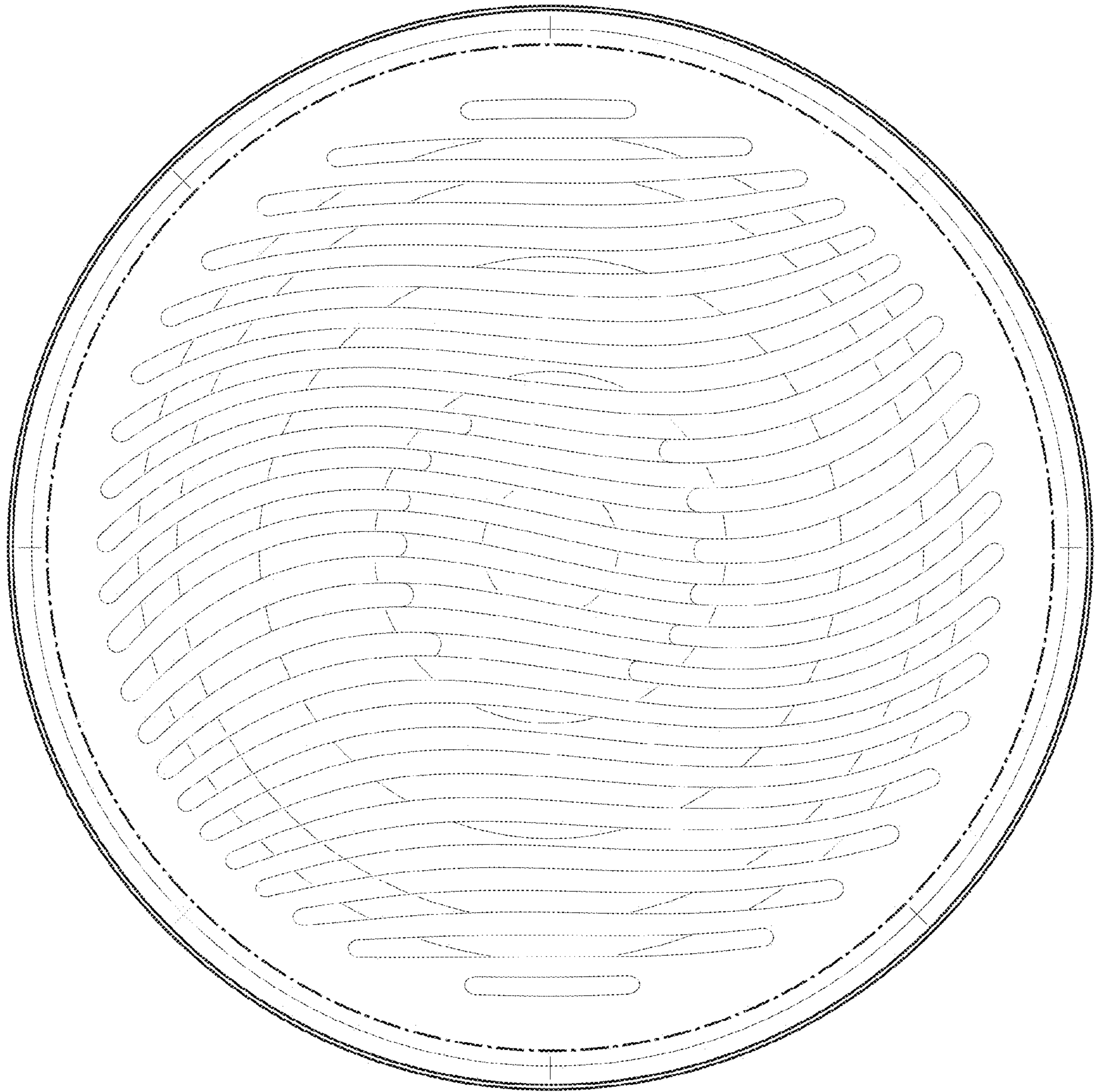
**FIG. 3**



**FIG. 4**

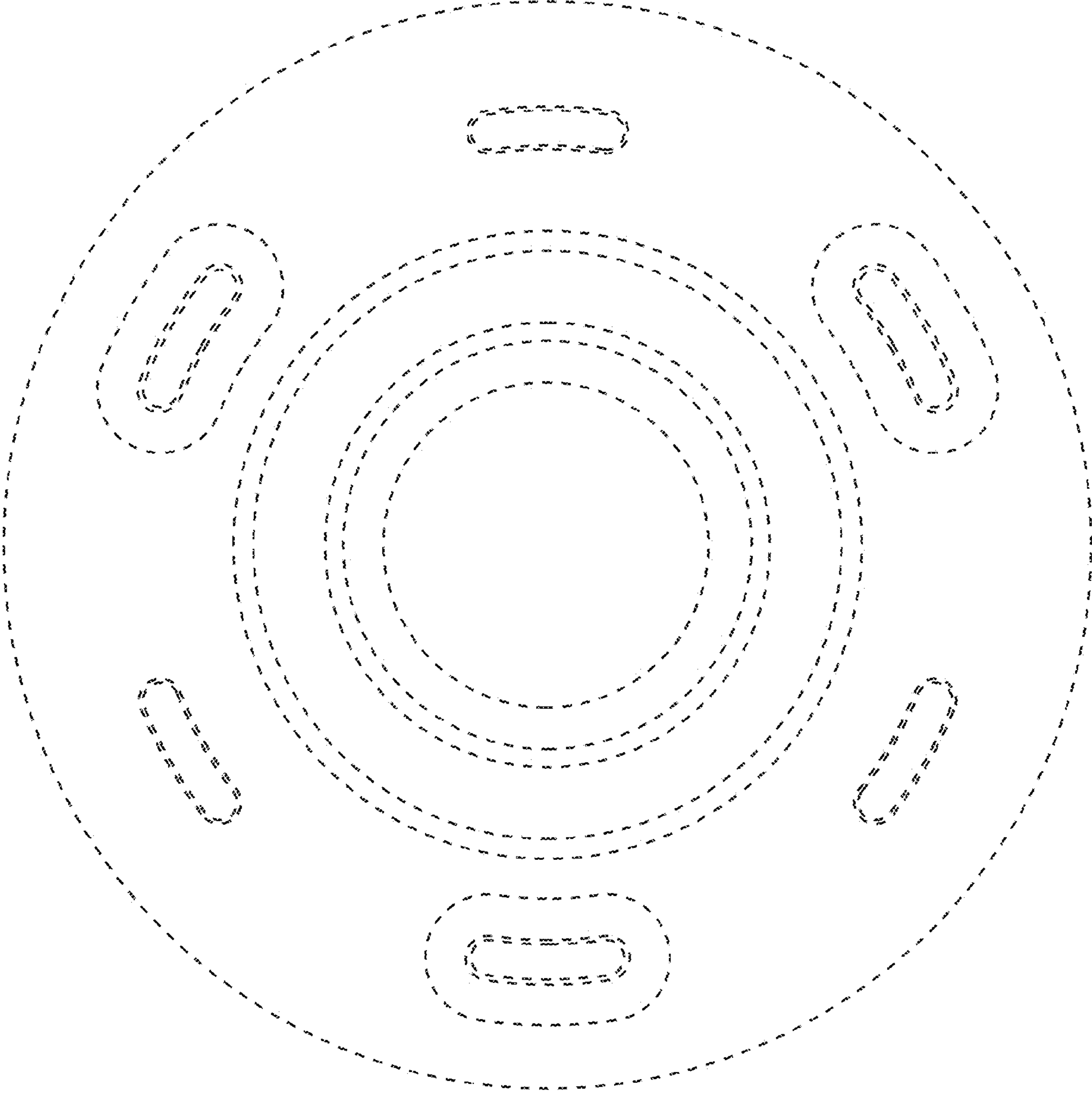


**FIG. 5**



**FIG. 6**





**FIG. 7**