



US00D908658S

(12) **United States Design Patent**
Yang

(10) **Patent No.:** **US D908,658 S**

(45) **Date of Patent:** **** Jan. 26, 2021**

(54) **RECORD PLAYER**

D810,716 S * 2/2018 Yang D14/203
D824,357 S * 7/2018 Ding D14/202
D845,268 S * 4/2019 He D14/202

(71) Applicant: **Shenzhen 1Byone Brothers Technology Co., Ltd., Shenzhen (CN)**

(72) Inventor: **Ruishi Yang, Shenzhen (CN)**

(**) Term: **15 Years**

(21) Appl. No.: **29/718,819**

(22) Filed: **Dec. 30, 2019**

(51) **LOC (13) Cl.** **14-01**

(52) **U.S. Cl.**
USPC **D14/202**

(58) **Field of Classification Search**
USPC D14/199–203, 261; 369/264–265
CPC B60R 11/02; B60K 37/04; B60K 37/06;
H04B 1/08; H04B 1/082; G11B 17/16;
G11B 23/00; G11B 19/16; G11B 33/02
See application file for complete search history.

(56) **References Cited**

U.S. PATENT DOCUMENTS

D220,368 S * 3/1971 Levow D14/203
D238,394 S * 1/1976 Akazawa D14/202
D241,574 S * 9/1976 Mukai et al. D14/202
D247,488 S * 3/1978 Ohtomo D14/202
D249,143 S * 8/1978 Ohtomo D14/203
D803,182 S * 11/2017 Czaniecki D14/203

OTHER PUBLICATIONS

1byone Classic Wooden Bluetooth Turntable review by VWestlife, published on YouTube Mar. 23, 2016. <https://www.youtube.com/watch?v=50Hr6C8IDr8>.*

* cited by examiner

Primary Examiner — Sandra L Morris

(74) *Attorney, Agent, or Firm* — Prakash Nama; Global IP Services, PLLC

(57) **CLAIM**

The ornamental design for a record player, as shown and described.

DESCRIPTION

FIG. 1 is a perspective view of a record player showing my new design;
FIG. 2 is a second perspective view thereof;
FIG. 3 is a top plan view thereof;
FIG. 4 is a bottom plan view thereof;
FIG. 5 is a left side view thereof;
FIG. 6 is a right side view thereof;
FIG. 7 is a front elevational view thereof; and,
FIG. 8 is a rear elevational view thereof.

1 Claim, 8 Drawing Sheets





Fig. 1

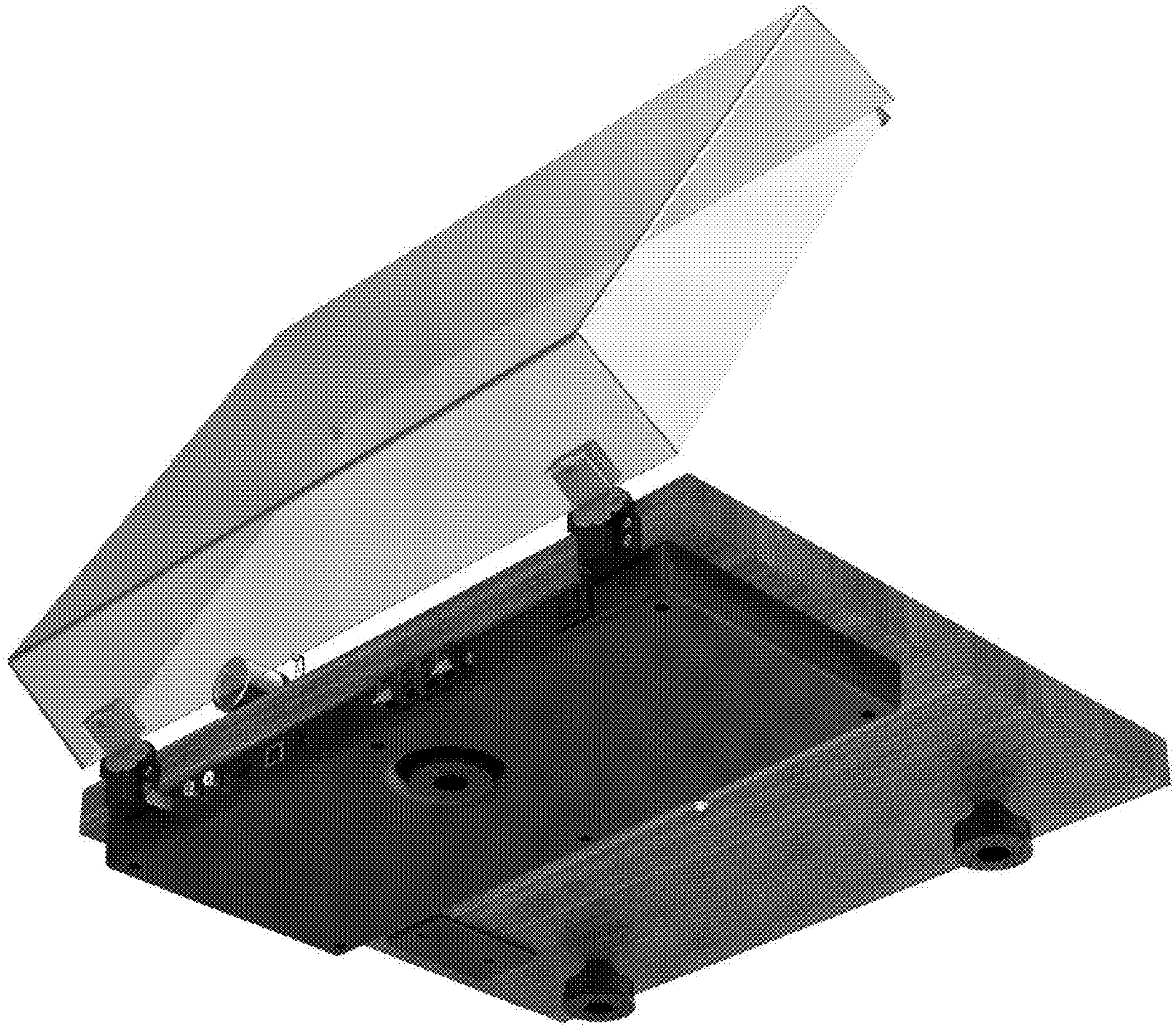


Fig. 2

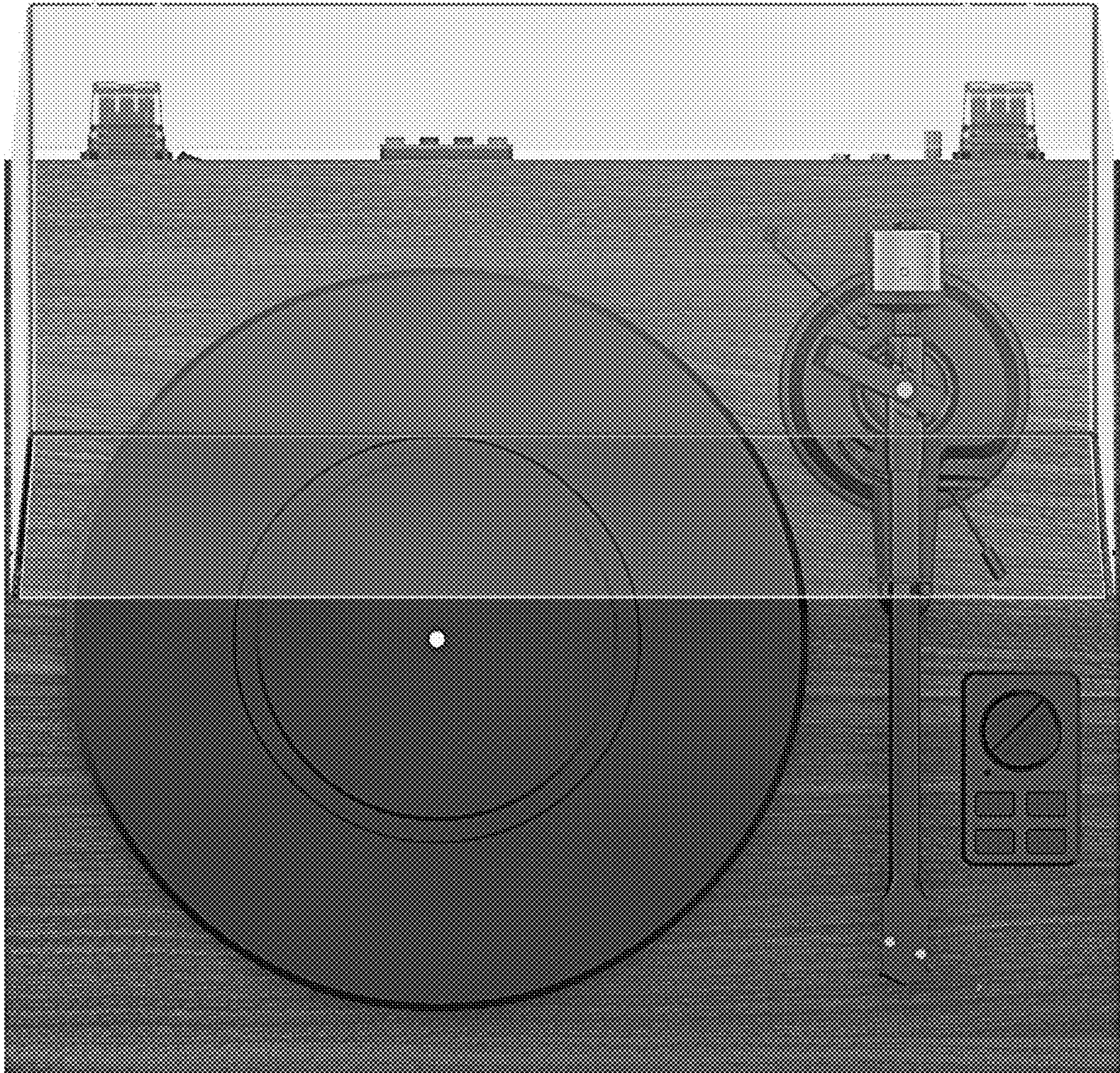


Fig. 3

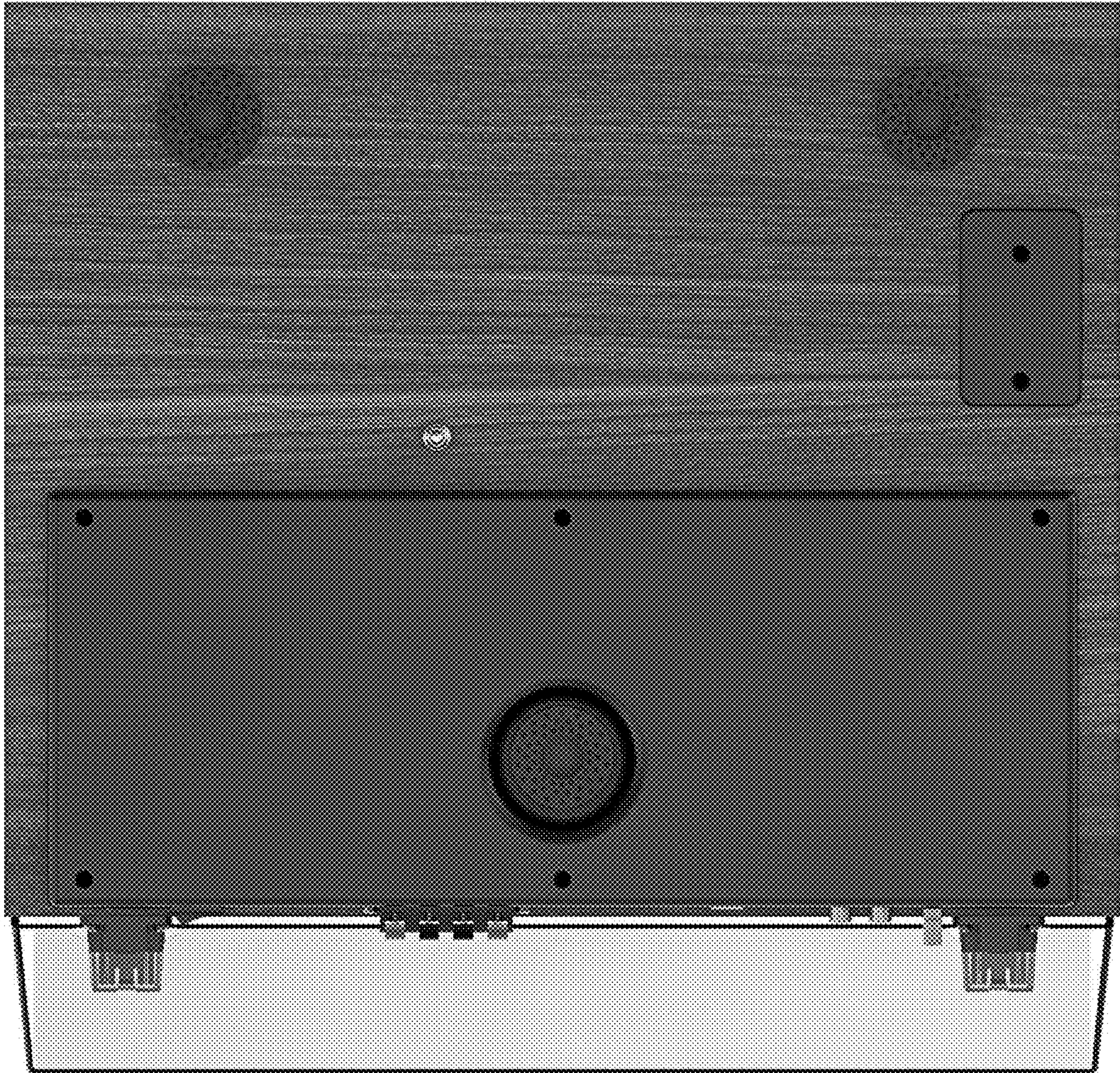


Fig. 4

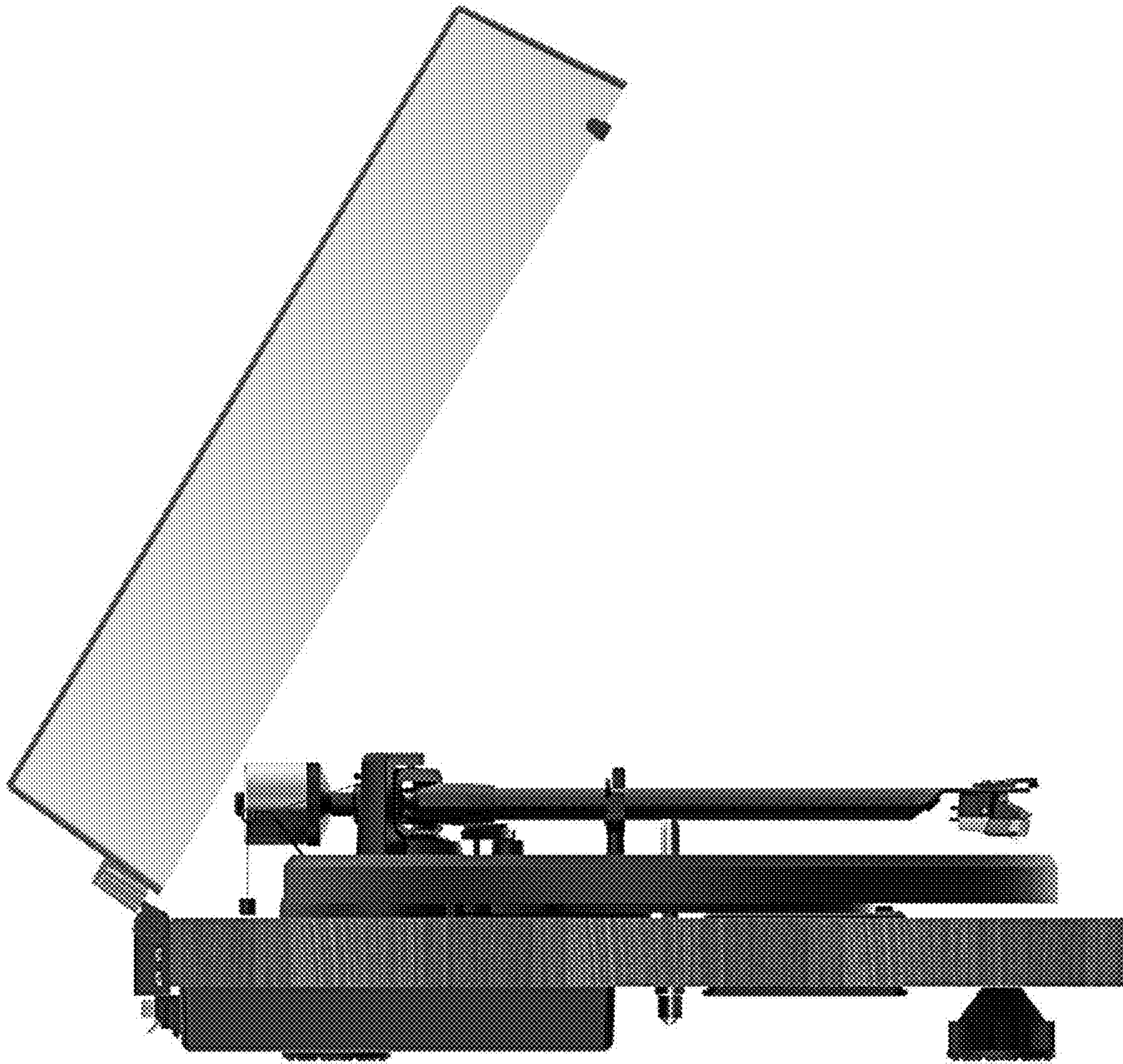


Fig. 5

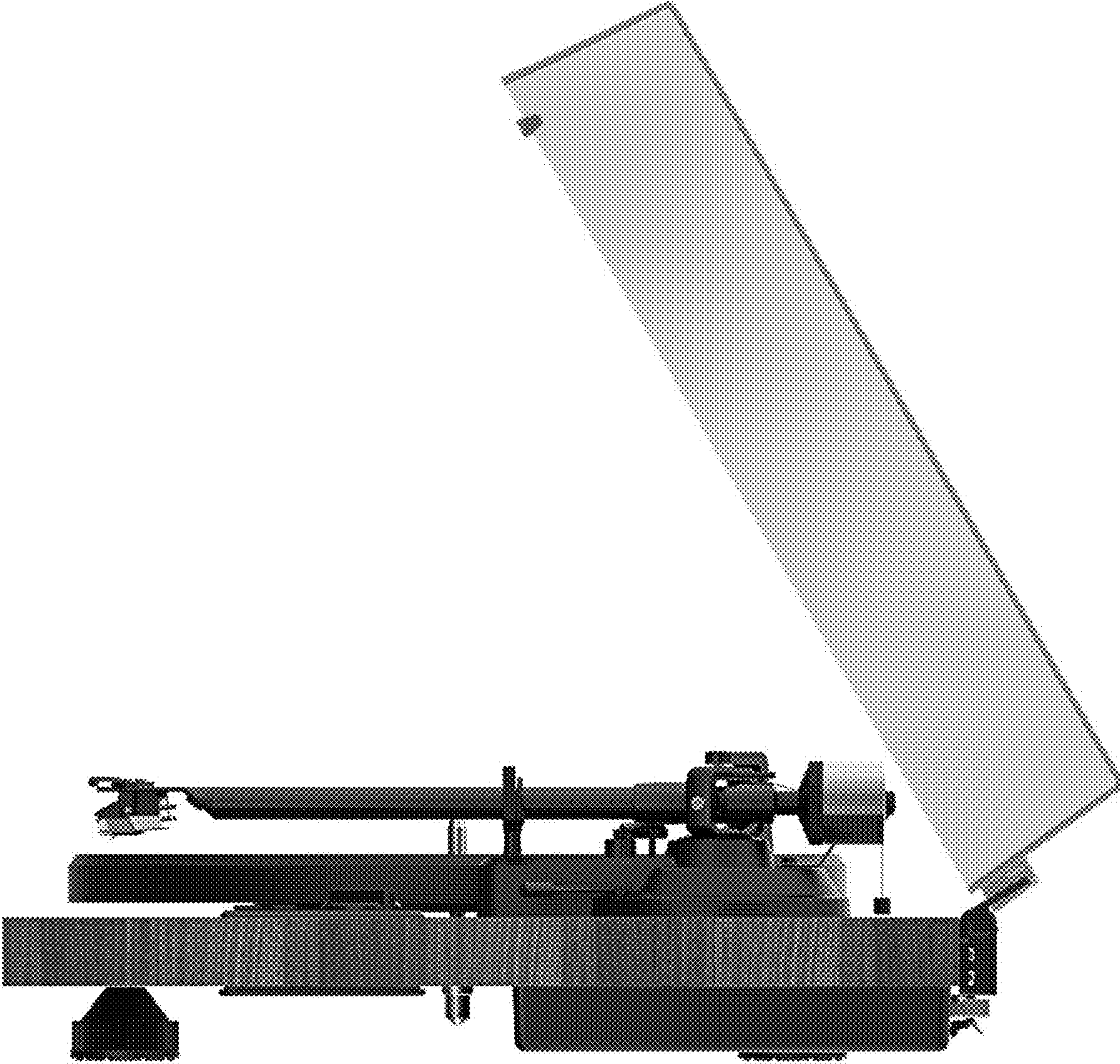


Fig. 6

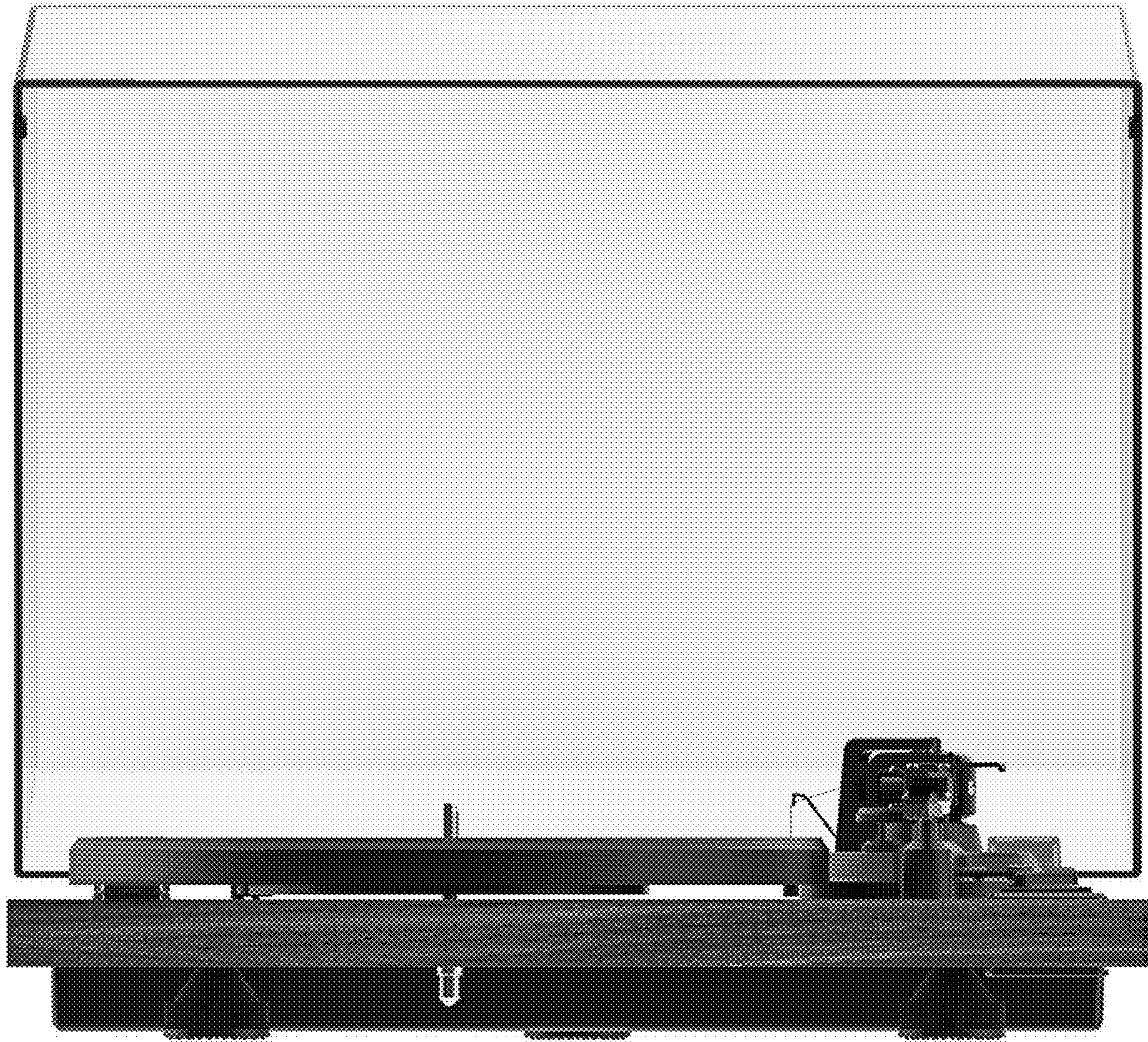


Fig. 7

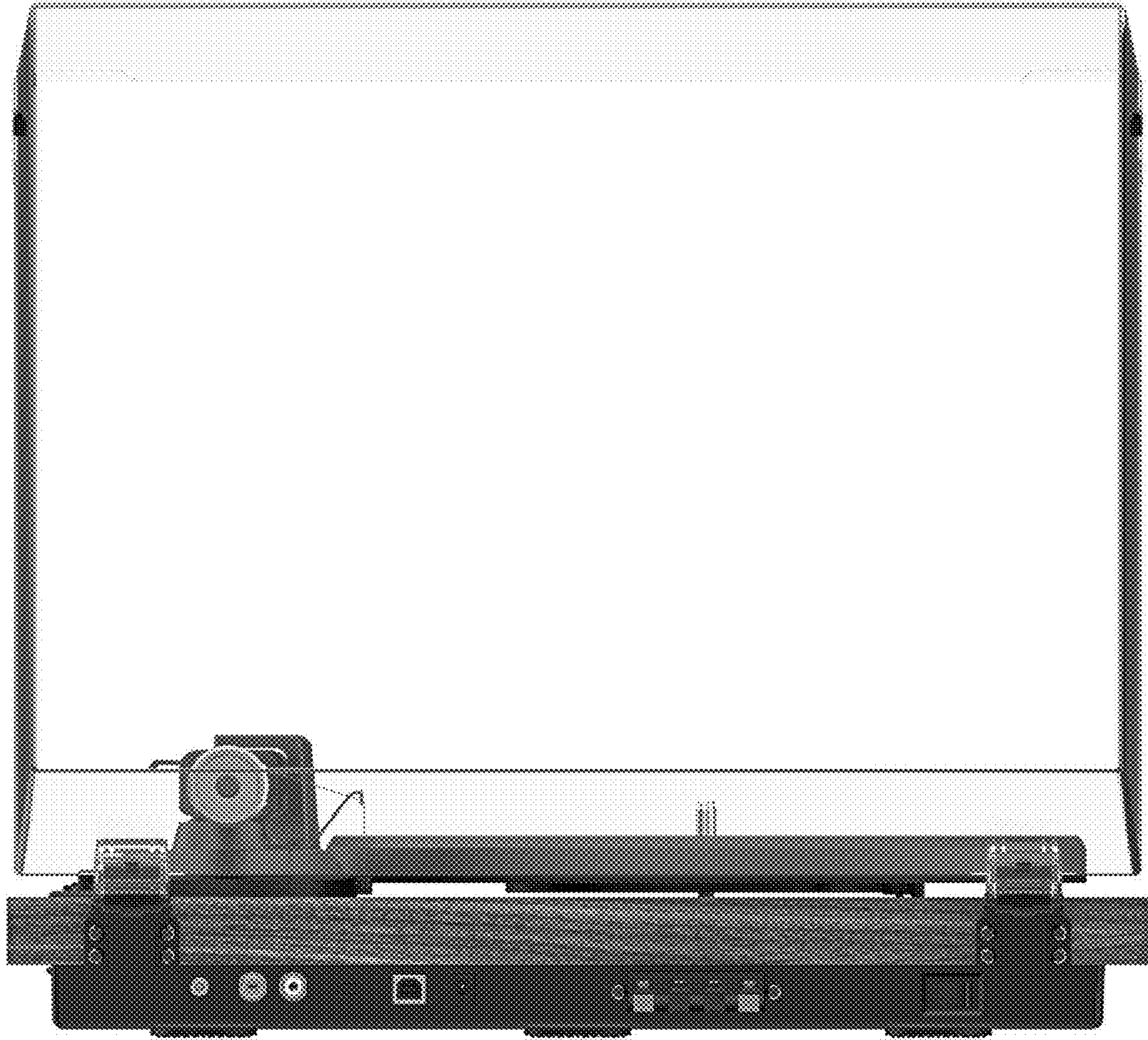


Fig. 8